



REPAIR PARTS

PC* Series Package Air Conditioner

PC024-1
PC030-1
PC036-1A
PC036-3A
PC042-1A
PC042-3A
PC048-1
PC048-3
PC048-4
PC048-5B
PC048-5C
PC060-1B
PC060-3B
PC060-4B
PC060-5B
PC060-5C



Goodman Manufacturing Company, L.P.
5151 San Felipe, Suite 500
Houston, TX 77056

www.goodmanmfg.com

RP-117S
August 2007

Important Information

Index

Functional Parts List	3
Illustration and Parts	4 - 9

Views shown are for parts illustrations only, not servicing procedures

Revision S: Corrected M14 condenser motor part number.

Text Codes:

AR - As Required

NA - Not Available

NS - Not Shown

00000000 - See Note

QTY - Quantity Example (QTY 3) (If Quantity not shown, Quantity = 1)

M - Model Example (M1) (If M Code not shown, then part is used on all Models)

Expanded Model Nomenclature:

Example M1 - Model#1 M2 - Model#2 M3 - Model#3

Goodman Manufacturing Company, L.P. is not responsible for personal injury or property damage resulting from improper service. Review all service information before beginning repairs.

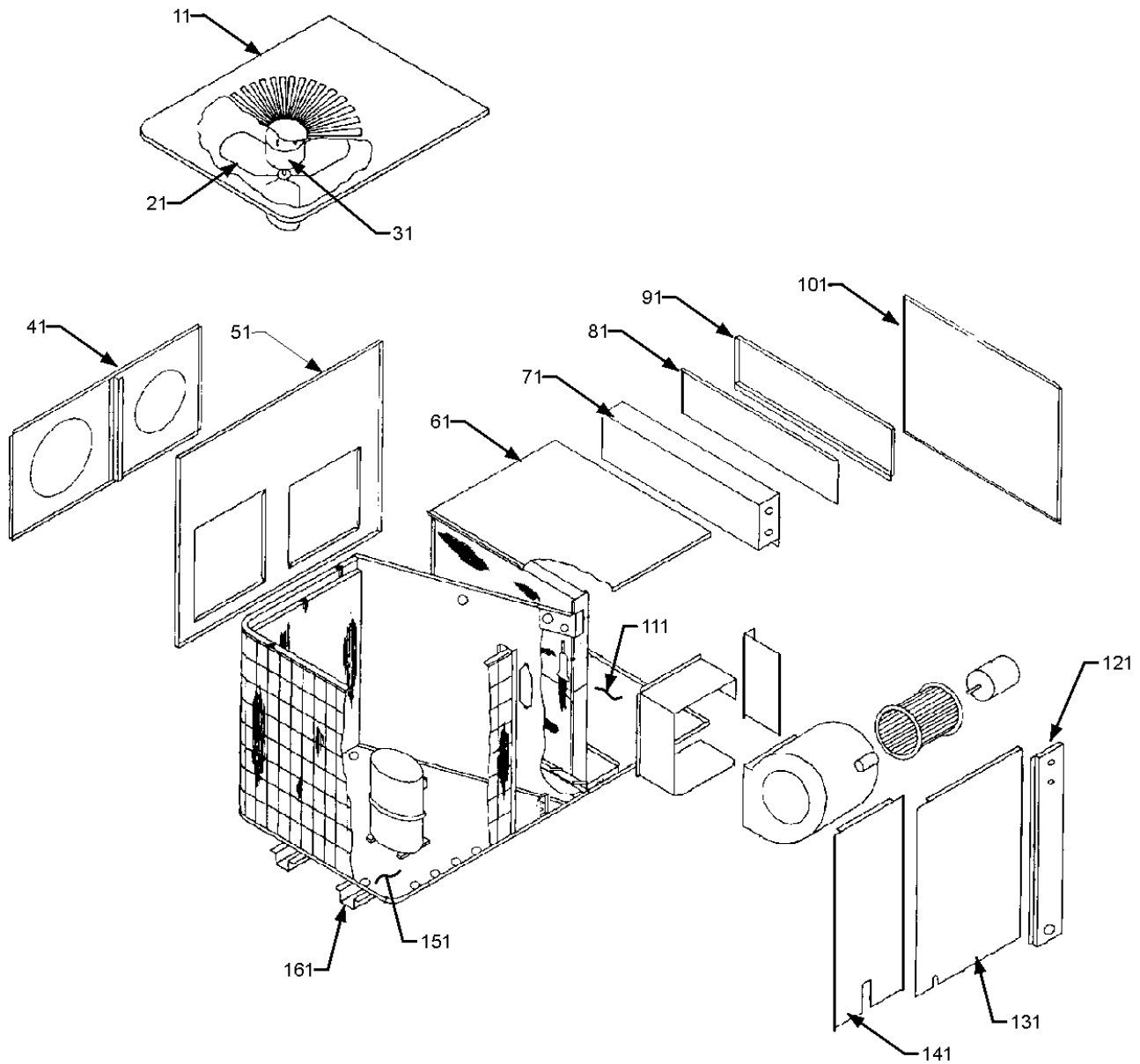
Warranty service must be performed by an authorized technician, using authorized factory parts. If service is required after the warranty expires, Goodman Manufacturing Company, L.P. also recommends contacting an authorized technician and using authorized factory parts.

Goodman Manufacturing Company, L.P. reserves the right to discontinue, or change at any time, specifications or designs without notice or without incurring obligations.

For assistance within the U.S.A. contact:
Consumer Affairs Department
Goodman Manufacturing Company, L.P.
7401 Security Way
Houston, Texas 77040
877-254-4729-Telephone
713-863-2382-Facsimile

For assistance outside the U.S.A. contact:
International Division
Goodman Manufacturing Company, L.P.
7401 Security Way
Houston, Texas 77040
713-861-2500-Telephone
713-863-2382-Facsimile

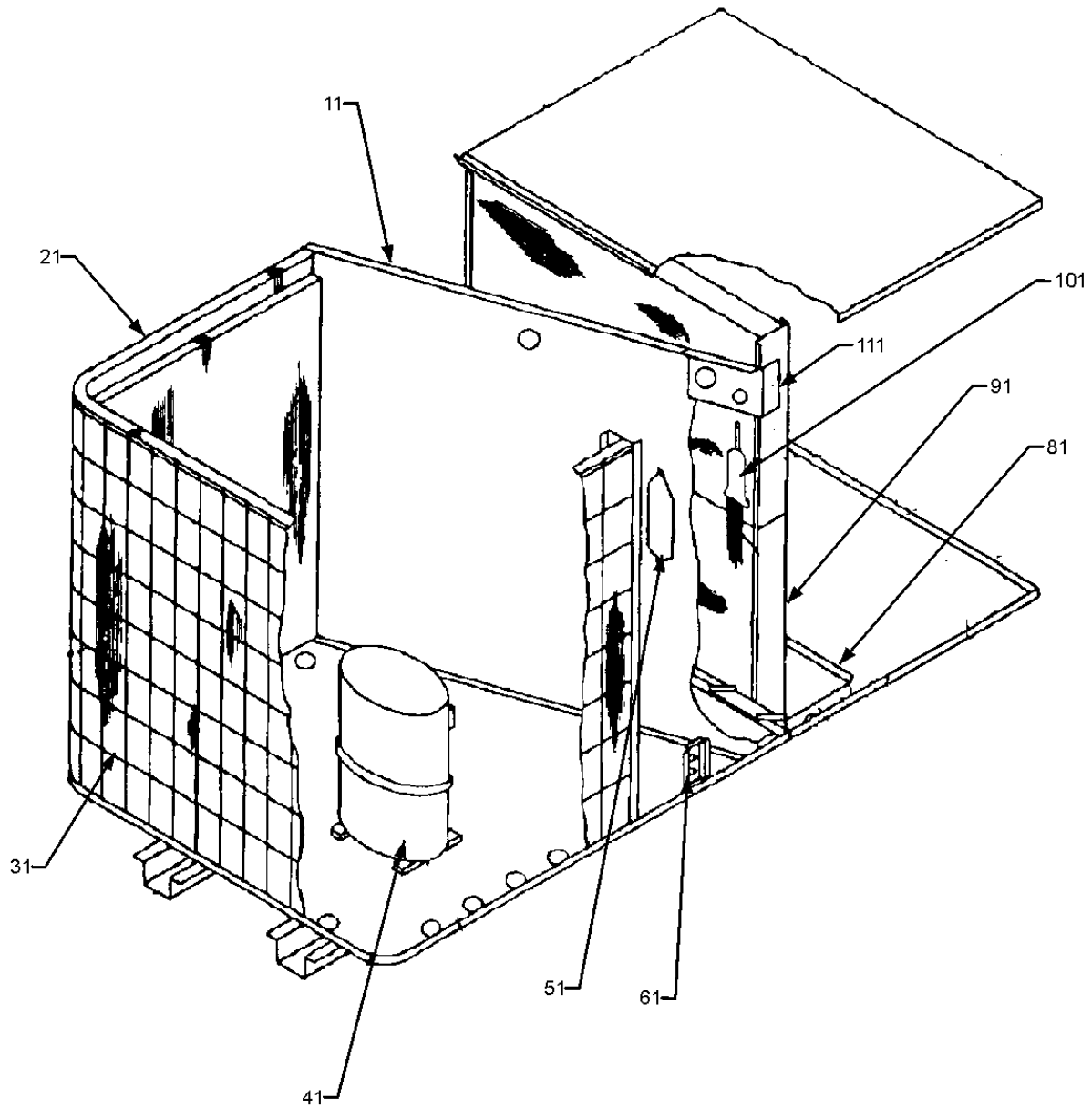
Cabinet



Cabinet

Ref Part No:	Description:	Ref. Part No:	Description:
<i>Image 1:</i>		131 1623702S	PANEL, EVAPORATOR & BLOWER (M5, M6, M7, M8, M9, M12, M13, M14)
11 1779403P	LOUVERED TOP PANEL (M1, M2, M3, M4)	131 4123714P	PANEL, EVAPORATOR & BLOWER, BEIGE (M10, M15)
11 1779404P	LOUVERED TOP PANEL (M5, M6, M7, M8, M9, M12, M13, M14)	131 4123714PDG	PANEL, EVAPORATOR & BLOWER, GRAY (M11, M16)
11 4179405P	SQUARE TOP PANEL, BEIGE (M10, M15)	141 1623703P	PANEL, COND SECTION (M5, M6, M7, M8, M9, M12, M13, M14)
11 4179405PDG	SQUARE TOP PANEL, GRAY (M11, M16)	141 4123711P	PANEL, COND SECTION, BEIGE (M10, M15)
21 B1086756S	CONDENSER FAN 18" (M1, M2, M3, M4)	141 4123711PDG	PANEL, COND SECTION, GRAY (M11, M16)
21 B1086748	CONDENSER FAN 22" (M10, M11, M12, M13, M14, M15, M16)	151 4179100P	BASE PAN BEIGE, ONE PIECE (M10, M15)
21 B1086750S	CONDENSER FAN 22" (M5, M6, M7, M8, M9)	151 4179100PDG	BASE PAN GRAY, ONE PIECE (M11, M16)
31 0131M00007PS	CONDENSER MOTOR (M5, M6, M7, M8)	151 1779106S	BOTTOM PAN (M5, M6, M7, M8, M9, M12, M13, M14)
31 0131M00008PS	CONDENSER MOTOR (M12, M13)	151 1787202P	BOTTOM PAN (M1, M2, M3, M4)
31 B13400249S	CONDENSER MOTOR (M14, M15, M16)	161 1679700	BOTTOM PAN CHANNEL (QTY 2) (M1, M2, M3, M4)
31 B13400251S	CONDENSER MOTOR (M1, M2, M3, M4)	161 1679701	BOTTOM PAN CHANNEL (QTY 2) (M5, M6, M7, M8, M9, M12, M13, M14)
31 B13400269S	CONDENSER MOTOR (M9, M10, M11)	161 4179700	BOTTOM PAN CHANNEL (QTY 2) (M10, M11, M15, M16)
41 1623709S	SQUARE TO ROUND PANEL (M1, M2, M3, M4)	NS B1376923	FAN GRILL GUARD LRG (M10, M11, M15, M16)
41 1623714S	SQUARE TO ROUND PANEL (M5, M6, M7, M8, M9, M12, M13, M14)	NS 1623700S	FRONT PANEL-ONE PIECE (M1, M2, M3, M4)
51 1623701S	SQUARE DUCT PANEL (M1, M2, M3, M4)	Expanded Model Nomenclature	
51 1623704S	SQUARE DUCT PANEL (M5, M6, M7, M8, M9, M12, M13, M14)	M1 - PC024-1 M2 - PC030-1 M3 - PC036-1A M4 - PC036-3A M5 - PC042-1A M6 - PC042-3A M7 - PC048-1 M8 - PC048-3 M9 - PC048-4 M10 - PC048-5B M11 - PC048-5C M12 - PC060-1B M13 - PC060-3B M14 - PC060-4B M15 - PC060-5B M16 - PC060-5C	
51 4123710PDG	SQUARE DUCT PANEL GRAY (M11, M16)		
51 4123710P	SQUARE DUCT PANEL, BEIGE (M10, M15)		
61 1679402S	PANEL, EVAPORATOR TOP (M1, M2, M3, M4)		
61 1679404S	PANEL, EVAPORATOR TOP (M5, M6, M7, M8, M9, M12, M13, M14)		
71 1687609	CONTROL BOX S/W ASSEMBLY (M1, M2, M3, M4)		
71 1687610	CONTROL BOX S/W ASSEMBLY (M5, M6, M7, M8, M9, M12, M13, M14)		
71 4187611	CONTROL BOX S/W ASSEMBLY (M10, M11, M15, M16)		
81 1610901	CONTROL BOX COVER (M1, M2, M3, M4)		
81 1610903	CONTROL BOX COVER (M5, M6, M7, M8, M9, M12, M13, M14)		
81 4187603	CONTROL BOX COVER (M10, M11, M15, M16)		
91 1679302S	ACCESS PANEL-CONTROL (M1, M2, M3, M4)		
91 1679303S	ACCESS PANEL-CONTROL (M5, M6, M7, M8, M9, M12, M13, M14)		
91 4179301P	ACCESS PANEL-CONTROL, BEIGE (M10, M15)		
91 4179301PDG	ACCESS PANEL-CONTROL, GRAY (M11, M16)		
101 1679300S	ACCESS PANEL-BLOWER (M1, M2, M3, M4)		
101 1679301S	ACCESS PANEL-BLOWER (M5, M6, M7, M8, M9, M12, M13, M14)		
101 4179302P	ACCESS PANEL-BLOWER, BEIGE (M10, M15)		
101 4179302PDG	ACCESS PANEL-BLOWER, GRAY (M11, M16)		
111 1679401S	BASE PAN, EVAPORATOR, 2 PIECE (M5, M6, M7, M8, M9, M12, M13, M14)		
111 1679401S	BASE PAN, EVAPORATOR, 2 PIECE (M1, M2, M3, M4)		
121 1623706S	CORNER POST (M1, M2, M3, M4)		
121 1623707S	CORNER POST (M5, M6, M7, M8, M9, M12, M13, M14)		
121 4123713P	CORNER POST, BEIGE (M10, M15)		
121 4123713PDG	CORNER POST, GRAY (M11, M16)		

Internal Components



Internal Components

Ref Part No:	Description:	Ref. Part No:	Description:
<i>Image 1:</i>		101 B2114886	FLOWRATOR (M15, M16)
11 1679500S	PARTITION PANEL (M1, M2, M3, M4)	101 B2114893	FLOWRATOR (M12, M13, M14)
11 1679501S	PARTITION PANEL (M5, M6, M7, M8, M9, M12, M13, M14)	111 1679503	PARTITION BLOCK-OFF (M5, M6, M7, M8, M9, M12, M13, M14)
11 4179502	PARTITION PANEL (M10, M11, M15, M16)	111 1679504	PARTITION BLOCK-OFF (M1, M2, M3, M4)
21 1262507	CONDENSER COIL CRATED W/DRIER (M1, M2)	NS B1339530	COMPRESSOR GROMMET (QTY 4) (M1, M2, M3, M4, M5, M6, M7, M8, M9, M10, M11)
21 1262508	CONDENSER COIL CRATED W/DRIER (M12, M13, M14)	NS B1339533	COMPRESSOR GROMMET (QTY 4) (M12, M13, M14, M15, M16)
21 1262509	CONDENSER COIL CRATED W/DRIER (M3, M4)	Expanded Model Nomenclature <div style="border: 1px solid black; padding: 5px;"> M1 - PC024-1 M2 - PC030-1 M3 - PC036-1A M4 - PC036-3A M5 - PC042-1A M6 - PC042-3A M7 - PC048-1 M8 - PC048-3 M9 - PC048-4 M10 - PC048-5B M11 - PC048-5C M12 - PC060-1B M13 - PC060-3B M14 - PC060-4B M15 - PC060-5B M16 - PC060-5C </div>	
21 1262510	CONDENSER COIL CRATED W/DRIER (M5, M6, M7, M8, M9)		
21 1262516	CONDENSER COIL CRATED W/DRIER (M10, M11, M15, M16)		
31 B1259325	CONDENSER INLET GRILLE (M1, M2, M3, M4)		
31 B1259332	CONDENSER INLET GRILLE (M5, M6, M7, M8, M9, M12, M13, M14)		
31 B1259727	CONDENSER INLET GRILLE (M10, M11, M15, M16)		
41 CR47KQTFD980WB	COMPRESSOR CR47KQTFD240AA (M10, M11)		
41 CRN50500TFD970	COMPRESSOR CRN50500TFD970 (M15, M16)		
41 B9266298A	COMPRESSOR H23A353ABCA (M7)		
41 CR41KQTFD980WB	COMPRESSOR H23A423DBEA (M9)		
41 B9266204AS	COMPRESSOR H23A423DBLA (M8)		
41 CR22K6PFV960	COMPRESSOR H23B223ABCA (M1)		
41 CR28K6PFV960	COMPRESSOR H23B283ABCA (M2)		
41 CR38K6PFV960	COMPRESSOR H24A383ABCA (M5)		
41 B9266670S	COMPRESSOR H24A383DBLA (M6)		
41 CR35K6PFV960	COMPRESSOR H29B35UABCA (M3)		
41 CR35K6TF5960	COMPRESSOR H29B35UDBLA (M4)		
41 ZR57K3PFV950	COMPRESSOR ZR57KCPFV250 (M12)		
41 ZR57KCTF5930	OLD PN# B9266355 COMPRESSOR ZR57KCTF5230 (M13)		
41 ZR57KCTFD930	OLD PN# B9266353 COMPRESSOR ZR57KCTFD230 (M14)		
51 B1219225	OLD PN# B9266354 FILTER DRIER		
61 1623708	SERVICE PORT PANEL		
81 1667802P	DRAIN PAN ASSEMBLY (M1, M2, M3, M4)		
81 1667806P	DRAIN PAN ASSEMBLY (M5, M6, M7, M8, M9, M12, M13, M14)		
81 B4167801	DRAIN PAN ASSEMBLY, PLASTIC (M10, M11, M15, M16)		
91 1262621	EVAP COIL W/DRIER (M1)		
91 1262622	EVAP COIL W/DRIER (M2)		
91 1262623	EVAP COIL W/DRIER (M12, M13, M14)		
91 1262624	EVAP COIL W/DRIER (M3, M4)		
91 1262625	EVAP COIL W/DRIER (M5, M6)		
91 1262626	EVAP COIL W/DRIER (M7, M8, M9)		
91 1262636	EVAP COIL W/DRIER (M10, M11, M15, M16)		
101 B1314459	FLOWRATOR (M1)		
101 B1314468	FLOWRATOR (M2)		
101 B1314471	FLOWRATOR (M3, M4)		
101 B2114880	FLOWRATOR (M5, M6, M7, M8, M9, M10, M11)		

Blower and Control Panel

Image 1

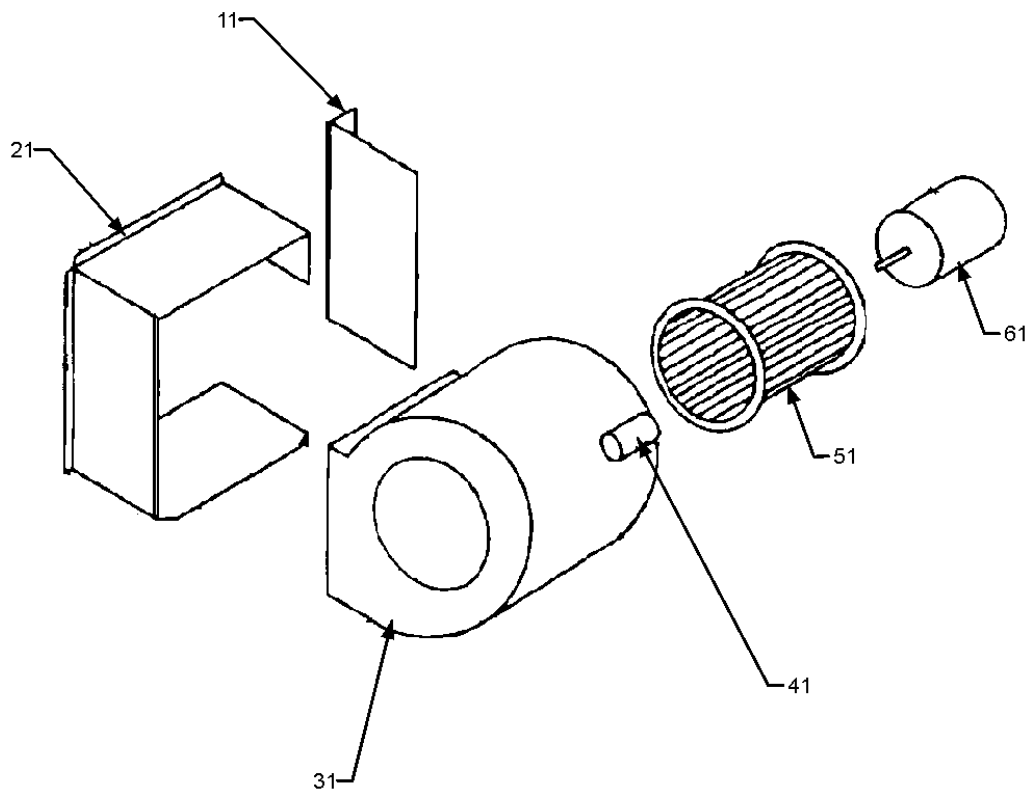
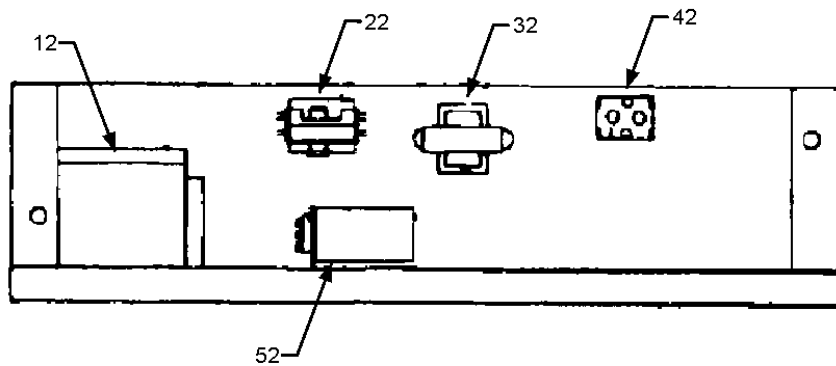


Image 2



Blower and Control Panel

Ref Part No:	Description:	Ref. Part No:	Description:
<i>Image 1:</i>		32	B1141643 TRANSFORMER 230/24 (M1, M2, M3, M4, M5, M6, M7, M8, M12, M13)
11	1600122 BLOWER BLOCK OFF LRG (M5, M6, M7, M8, M9, M12, M13, M14)	32	B1141653 TRANSFORMER 480V, 75 VA, RESETTABLE (M9, M14)
11	1600105 BLOWER BLOCK OFF SML (M1, M2, M3, M4)	42	B1370738 TIMER DELAY RELAY (M1, M2, M3, M4, M5, M6, M7, M8, M9, M12, M13, M14)
11	4100109 BLOWER BLOCK OFF, UPPER (M10, M11, M15, M16)	42	PCBFM103S TIMER DELAY RELAY (M10, M11)
21	1600002 TRANSITION DUCT BLOCK-OFF, SML (M1, M2, M3, M4)	52	CAP050300370RSS CAPACITOR (CONTROL BOX) 5/30/370 (M1)
21	1600000 TRANSITION DUCT, LRG (M5, M6, M7, M8, M9, M12, M13, M14)	52	CAP050350370RSS CAPACITOR (CONTROL BOX) 5/35/370 (M2)
21	4100000 TRANSITION DUCT, LRG (M10, M11, M15, M16)	52	CAP050000370VA CAPACITOR (CONTROL BOX) 5/370 (M4, M6, M8, M9, M10, M11, M13, M14, M15, M16)
21	1600001 TRANSITION DUCT, SML (M1, M2, M3, M4)	52	CAP050400440RT CAPACITOR (CONTROL BOX) 5/40/440 (M5, M7)
31	2539300S BLOWER HOUSING W/O 764730 CUT-OFF (M2, M3, M4)	52	CAP050450370RSS CAPACITOR (CONTROL BOX) 5/45/370 (M3)
31	1439389S BLOWER HOUSING W/O 764733 CUT-OFF (M1)	52	CAP050600370RTS CAPACITOR (CONTROL BOX) 5/60/370 (M12)
31	1439391S BLOWER HOUSING W/O 764736 CUT-OFF (M5, M6, M7, M8, M9, M10, M11, M12, M13, M14, M15, M16)	NS	B1370728 BLOWER RELAY SPDT (M10, M11, M15, M16)
41	CAP100000370VA CAPACITOR (BLOWER) 10/370 (M14, M15, M16)	Expanded Model Nomenclature	
41	CAP125000370RP CAPACITOR (BLOWER) 12.5/370 (M7, M8)	M1 - PC024-1	
41	CAP150000370VA CAPACITOR (BLOWER) 15/370 (M12, M13)	M2 - PC030-1	
41	CAP050000370VA CAPACITOR (BLOWER) 5/370 (M1, M9, M10, M11)	M3 - PC036-1A	
41	CAP075000370VA CAPACITOR (BLOWER) 7.5/370 (M2, M3, M4, M5, M6)	M4 - PC036-3A	
51	B1368016S BLOWER WHEEL (M12, M13, M14, M15, M16)	M5 - PC042-1A	
51	B1368034S BLOWER WHEEL (M2, M3, M4)	M6 - PC042-3A	
51	B1368036S BLOWER WHEEL (M5, M6, M7, M8, M9, M10, M11)	M7 - PC048-1	
51	B1368042S BLOWER WHEEL (M1)	M8 - PC048-3	
61	B13400208S EVAPORATOR MOTOR (M12, M13)	M9 - PC048-4	
61	B13400312S EVAPORATOR MOTOR (M2, M3, M4, M5, M6)	M10 - PC048-5B	
61	B13400313S EVAPORATOR MOTOR (M1)	M11 - PC048-5C	
61	B13400316S EVAPORATOR MOTOR (M9, M10, M11)	M12 - PC060-1B	
61	B13400317 EVAPORATOR MOTOR (M14, M15, M16)	M13 - PC060-3B	
61	B13400353S EVAPORATOR MOTOR (M7, M8)	M14 - PC060-4B	
NS	1668200S BLOWER ASSEMBLY (M1)	M15 - PC060-5B	
NS	1668201S BLOWER ASSEMBLY (M3, M4)	M16 - PC060-5C	
NS	1668203S BLOWER ASSEMBLY (M5, M6)		
NS	1668204S BLOWER ASSEMBLY (M7, M8)		
NS	1668205S BLOWER ASSEMBLY (M12, M13)		
NS	1668206S BLOWER ASSEMBLY (M9)		
NS	1668207S BLOWER ASSEMBLY (M14)		
NS	1668208S BLOWER ASSEMBLY (M2)		
NS	4168207 BLOWER ASSEMBLY (M15, M16)		
NS	4168210 BLOWER ASSEMBLY (M10, M11)		
<i>Image 2:</i>			
12	1687604 LOW VOLTAGE BARRIER		
22	CONT2P025024VS CONTACTOR 25 AMP, 2P, 24V (M1, M2, M3, M5)		
22	CONT3P025024VS CONTACTOR 25 AMP, 3P, 24V (M4, M6, M8, M9, M10, M11, M13, M14, M15, M16)		
22	B1360301 CONTACTOR 30 AMP, 2P, 24V (M7)		
22	CONT2P040024VS CONTACTOR 40 AMP, 2P, 24V (M12)		
22	B1141651 TRANSFORMER 400 TO 24V (M10, M11, M15, M16)		