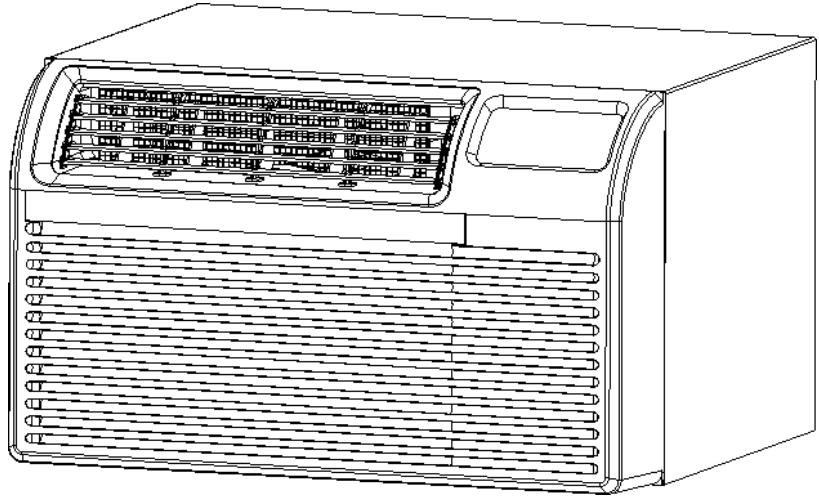


REPAIR PARTS

Room Air Conditioners (TTW)

PBC092E00BBAA
PBC092E00BXAA
PBC092E00CBAA
PBC093E00BBAA
PBC093E00BXAA
PBC122E00BBAA
PBC122E00BXAA
PBC122E00CBAA
PBC123E00BBAA
PBC123E00BXAA
PBC123E00CBAA
PBE093E35BBAA
PBE093E35BXAA
PBE093E35CBAA
PBE123E35BBAA
PBE123E35BXAA
PBE123E35CBAA
PBH092E12BBAA
PBH092E12BXAA
PBH092E12CBAA
PBH093E35BBAA
PBH093E35BXAA
PBH093E35CBAA
PBH113E35BBAA
PBH113E35BXAA
PBH113E35CBAA



This manual is to be used by qualified technicians only.

This manual replaces RP-727A.

© 2013-2014, 2016 Goodman Company, L.P. ♦ 5151 San Felipe St., Suite 500 ♦ Houston, TX 77056

Important Information

Index

Functional Parts List	3
Illustration and Parts	4 - 7

Views shown are for parts illustrations only, not servicing procedures

Text Codes:

AR - As Required

NA - Not Available

NS - Not Shown

00000000 - See Note

QTY - Quantity Example (QTY 3) (If Quantity not shown, Quantity = 1)

M - Model Example (M1) (If M Code not shown, then part is used on all Models)

Expanded Model Nomenclature:

Example M1 - Model#1 M2 - Model#2 M3 - Model#3

Goodman Company, L.P. is not responsible for personal injury or property damage resulting from improper service. Review all service information before beginning repairs.

Warranty service must be performed by an authorized technician, using authorized factory parts. If service is required after the warranty expires, Goodman Company, L.P. also recommends contacting an authorized technician and using authorized factory parts.

Goodman Company, L.P. reserves the right to discontinue, or change at any time, specifications or designs without notice or without incurring obligations.

For assistance within the U.S.A. contact:

Consumer Affairs Department

Goodman Company, L.P.

7401 Security Way

Houston, Texas 77040

877-254-4729-Telephone

713-863-2382-Facsimile

For assistance outside the U.S.A. contact:

International Division

Goodman Company, L.P.

7401 Security Way

Houston, Texas 77040

713-861-2500-Telephone

713-863-2382-Facsimile

Functional Parts

Part

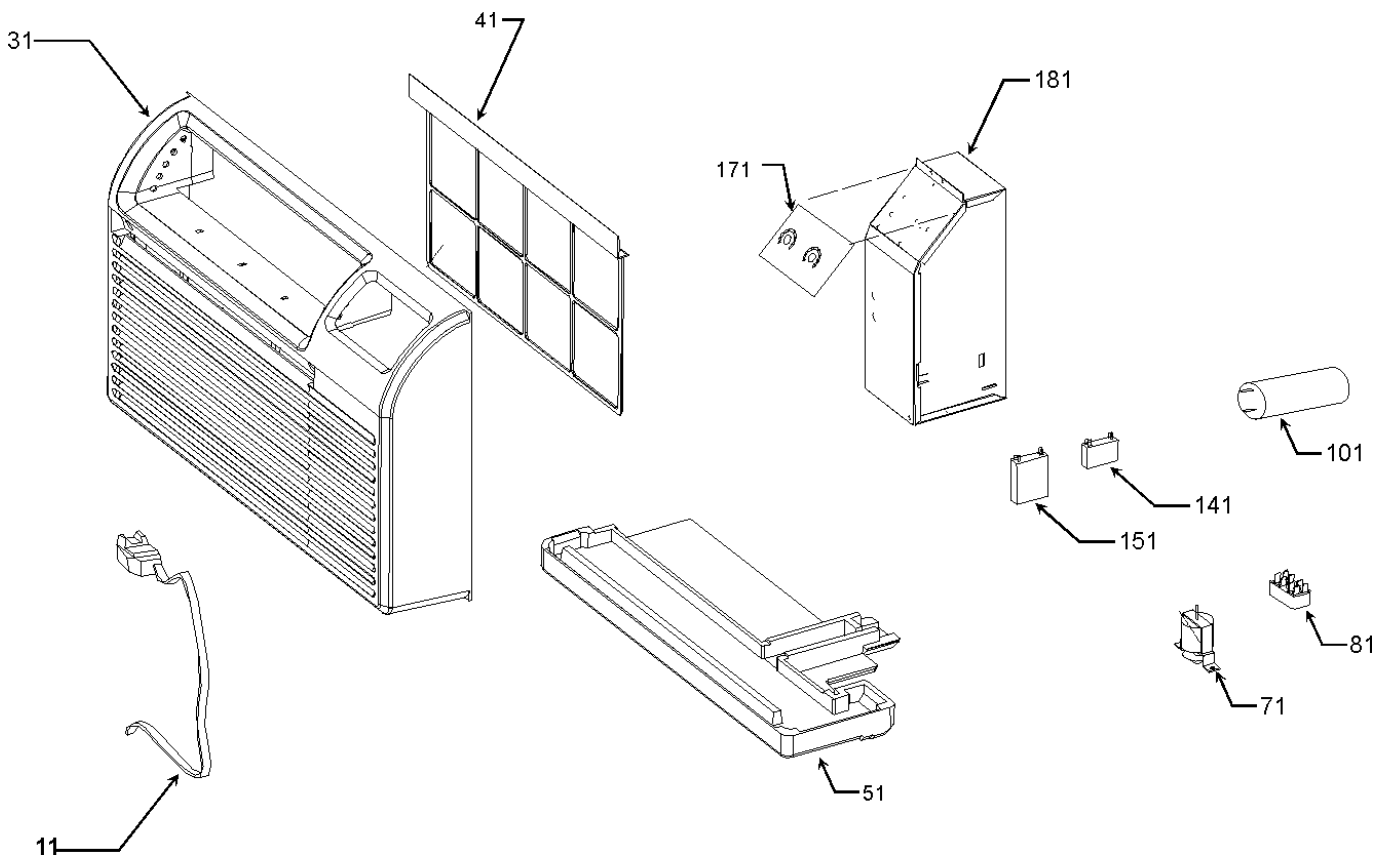
No: Description:

Part No:	Description:	Part No:	Description:
10312903	(BLOWER FAN) Centrifugal Fan	39000191	Room Sensor (M12, M13, M15, M16, M17, M18, M19, M20, M21, M22, M23, M24, M25, M26)
32001011	(HEATER) Electric Heater Assy (M12, M13, M14, M15, M16, M17, M21, M22, M23, M24, M25, M26)	390000596	Temperature Sensor (M1, M3, M4, M6, M8, M9, M11, M12, M14, M15, M17, M18, M20, M21, M23, M24, M26)
32001015	(HEATER) Electric Heater Assy (M18, M19, M20)	390000372	Temperature Sensor (M18, M19, M20, M21, M22, M23, M24, M25, M26)
39000191	Ambient Temperature Sensor	42011103	Terminal Board (QTY A/R)
10331008	Axial Flow Fan (M1, M2, M3, M5, M6, M7, M8, M9, M10, M11, M13, M15, M16, M17, M18, M19, M20, M22, M24, M25, M26)	43110256	Transformer (M1, M2, M6, M7, M18, M19)
10331012	Axial Flow Fan (M4, M12, M14, M21, M23)	4311025601	Transformer (M3, M8, M20)
3300008105	Capacitor (M3, M20)	43110258	Transformer 41X26.5N (M4, M5, M9, M10, M11, M12, M13, M14, M15, M16, M17, M21, M22, M23, M24, M25, M26)
33010069	Capacitor (M1, M2, M3, M6, M7, M8, M18, M19, M20)		
33000081	Capacitor (M14, M23)		
33010020	Capacitor CBB61 (M4, M5, M9, M10, M11, M12, M13, M14, M15, M16, M17, M21, M22, M23, M24, M25, M26)		
33010011	Capacitor CBB61 (M1, M2, M3, M6, M7, M8, M18, M19, M20)		
33010026	Capacitor CBB61 (M4, M5, M9, M10, M11, M12, M13, M14, M15, M16, M17, M21, M22, M23, M24, M25, M26)		
33000017	Capacitor CBB65 (M4, M5, M12, M13, M21, M22)		
33000018	Capacitor CBB65 (M9, M10, M11, M15, M16, M17, M24, M25, M26)		
33000065	Capacitor CBB65 (M6, M7, M8)		
33000038	Capacitor CBB65 (M1, M2, M18, M19)		
00181071	Compressor Overload Protector(External) (M9, M10, M11, M15, M16, M17, M24, M25, M26)		
00181064	Compressor Overload Protector(External) (M4, M5, M12, M13, M21, M22)		
00180365	Compressor Overload Protector(External) (M1, M2, M18, M19)		
00180291	Compressor Overload Protector(External) (M1, M2, M3, M18, M19, M20)		
00180296	Compressor Overload Protector(External) (M6, M7, M8)		
00180271	Compressor Overload Protector(External) (M2, M19)		
15011048	Fan Motor (M5, M9, M10, M11, M13, M16, M22, M25)		
1501104710	Fan Motor (M4, M12, M14, M15, M17, M21, M23, M24, M26)		
150110341	Fan Motor FW65U (M1, M2, M3, M6, M7, M8, M18, M20)		
30132022	Main Board (M21, M22, M23, M24, M25, M26)		
30132024	Main Board (M1, M2, M3, M6, M7, M8)		
30132023	Main Board (M12, M13, M14, M15, M16, M17)		
30132021	Main Board (M4, M5, M9, M10, M11)		
30132025	Main Board (M18, M19, M20)		
150110332	Motor FN30F (M4, M5, M10, M11, M12, M13, M14, M15, M16, M17, M21, M22, M23, M24, M25, M26)		
150110333	Motor FN30V (M1, M2, M3, M6, M7, M8, M18, M19, M20)		
4002036351	Power Cord(LCDI) (M11)		
40020363	Power Cord(LCDI) (M1, M2, M6, M7, M18, M19)		
400203631	Power Cord(LCDI) (M5, M9, M10)		
4002036350	Power Cord(LCDI) (M3, M8, M20)		
400203632	Power Cord(LCDI) (M4, M12, M13, M14, M15, M16, M17, M21, M22, M23, M24, M25, M26)		

Expanded Model Nomenclature

M1 - PBC092E00BBAA
M2 - PBC092E00BXAA
M3 - PBC092E00CBAA
M4 - PBC093E00BBAA
M5 - PBC093E00BXAA
M6 - PBC122E00BBAA
M7 - PBC122E00BXAA
M8 - PBC122E00CBAA
M9 - PBC123E00BBAA
M10 - PBC123E00BXAA
M11 - PBC123E00CBAA
M12 - PBE093E35BBAA
M13 - PBE093E35BXAA
M14 - PBE093E35CBAA
M15 - PBE123E35BBAA
M16 - PBE123E35BXAA
M17 - PBE123E35CBAA
M18 - PBH092E12BBAA
M19 - PBH092E12BXAA
M20 - PBH092E12CBAA
M21 - PBH093E35BBAA
M22 - PBH093E35BXAA
M23 - PBH093E35CBAA
M24 - PBH113E35BBAA
M25 - PBH113E35BXAA
M26 - PBH113E35CBAA

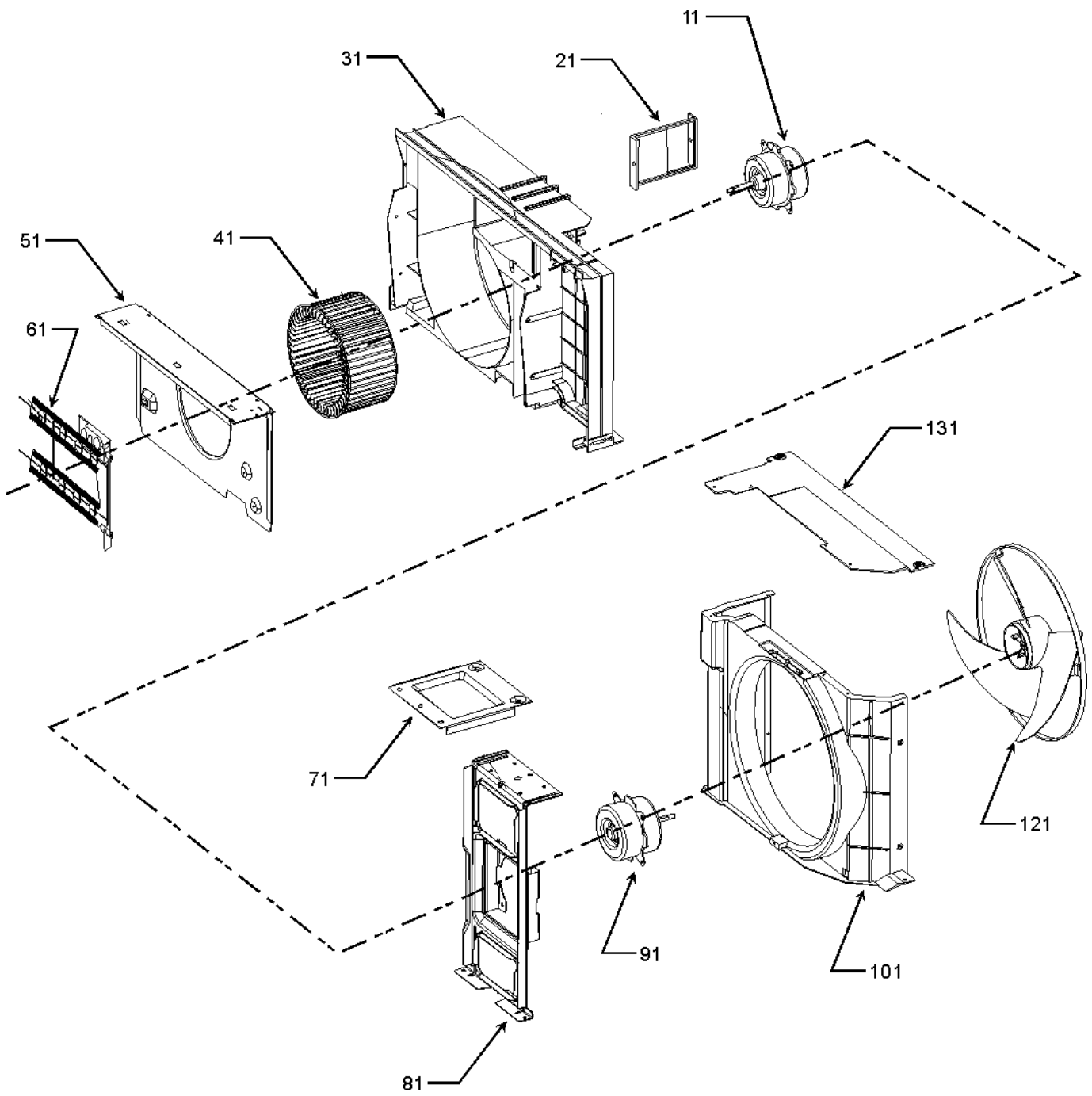
Front Panel / Control Box



Front Panel / Control Box

Ref. Part No:	Description:	Ref. Part No:	Description:
Image 1:		Image 1:	
11 40020363	Power Cord(LCDI) (M1, M2, M6, M7, M18, M19)	NS 30132025	Main Board (M18, M19, M20)
11 400203631	Power Cord(LCDI) (M5, M9, M10)	NS 6302990451	Membrane (M2, M5, M7, M10)
11 400203632	Power Cord(LCDI) (M4, M12, M13, M14, M15, M16, M17, M21, M22, M23, M24, M25, M26)	NS 6302990452	Membrane (M13, M16, M19, M22, M25)
11 4002036350	Power Cord(LCDI) (M3, M8, M20)	NS 39000191	Room Sensor (M12, M13, M15, M16, M17, M18, M19, M20, M21, M22, M23, M24, M25, M26)
11 4002036351	Power Cord(LCDI) (M11)	NS 390000372	Temperature Sensor (M18, M19, M20, M21, M22, M23, M24, M25, M26)
31 20001662	Front Panel (M8, M11, M17, M20, M23)	NS 390000596	Temperature Sensor (M1, M3, M4, M6, M8, M9, M11, M12, M14, M15, M17, M18, M20, M21, M23, M24, M26)
31 27221662001	Front Panel (M1, M2, M3, M4, M5, M6, M7, M9, M10, M12, M13, M14, M15, M16, M18, M19, M21, M22, M24, M25, M26)	NS 43110256	Transformer (M1, M2, M6, M7, M18, M19)
41 11122902	Filter	NS 4311025601	Transformer (M3, M8, M20)
51 12412901	(DRAIN PAN) Water Tray	NS 43110258	Transformer 41X26.5N (M4, M5, M9, M10, M11, M12, M13, M14, M15, M16, M17, M21, M22, M23, M24, M25, M26)
71 07100164	(DRAIN VALVE) Drain water valve (M2, M5, M7, M10, M13, M16, M19, M22, M25)	Expanded Model Nomenclature	
71 07101001	(DRAIN VALVE) Drainage Valve (M1, M3, M4, M6, M8, M9, M11, M12, M14, M15, M17, M18, M20, M21, M23, M24, M26)	M1 - PBC092E00BBAA	
81 42011103	Terminal Board (QTY A/R)	M2 - PBC092E00BXAA	
101 33010069	Capacitor (M1, M2, M3, M6, M7, M8, M18, M19, M20)	M3 - PBC092E00CBAA	
141 33000017	Capacitor CBB65 (M4, M5, M12, M13, M21, M22)	M4 - PBC093E00BBAA	
141 33000018	Capacitor CBB65 (M9, M10, M11, M15, M16, M17, M24, M25, M26)	M5 - PBC093E00BXAA	
141 33000038	Capacitor CBB65 (M1, M2, M18, M19)	M6 - PBC122E00BBAA	
141 33000065	Capacitor CBB65 (M6, M7, M8)	M7 - PBC122E00BXAA	
151 33000081	Capacitor (M14, M23)	M8 - PBC122E00CBAA	
151 3300008105	Capacitor (M3, M20)	M9 - PBC123E00BBAA	
151 33010011	Capacitor CBB61 (M1, M2, M3, M6, M7, M8, M18, M19, M20)	M10 - PBC123E00BXAA	
151 33010020	Capacitor CBB61 (M4, M5, M9, M10, M11, M12, M13, M14, M15, M16, M17, M21, M22, M23, M24, M25, M26)	M11 - PBC123E00CBAA	
151 33010026	Capacitor CBB61 (M4, M5, M9, M10, M11, M12, M13, M14, M15, M16, M17, M21, M22, M23, M24, M25, M26)	M12 - PBE093E35BBAA	
171 30562038	Display Board (M1, M2, M3, M4, M5, M6, M7, M8, M9, M10, M11)	M13 - PBE093E35BXAA	
171 30562039	Display Board (M18, M19, M20, M21, M22, M23, M24, M25, M26)	M14 - PBE093E35CBAA	
171 30562040	Display Board (M12, M13, M14, M15, M16, M17)	M15 - PBE123E35BBAA	
181 01411405	Electric Box Cover (M12, M13, M15, M16, M17, M18, M19, M20, M21, M22, M23, M24, M25, M26)	M16 - PBE123E35BXAA	
NS 39000191	Ambient Temperature Sensor	M17 - PBE123E35CBAA	
NS 00180271	Compressor Overload Protector(External) (M2, M19)	M18 - PBH092E12BBAA	
NS 00180291	Compressor Overload Protector(External) (M1, M2, M3, M18, M19, M20)	M19 - PBH092E12BXAA	
NS 00180296	Compressor Overload Protector(External) (M6, M7, M8)	M20 - PBH092E12CBAA	
NS 00180365	Compressor Overload Protector(External) (M1, M2, M18, M19)	M21 - PBH093E35BBAA	
NS 00181064	Compressor Overload Protector(External) (M4, M5, M12, M13, M21, M22)	M22 - PBH093E35BXAA	
NS 00181071	Compressor Overload Protector(External) (M9, M10, M11, M15, M16, M17, M24, M25, M26)	M23 - PBH093E35CBAA	
NS 30132021	Main Board (M4, M5, M9, M10, M11)	M24 - PBH113E35BBAA	
NS 30132022	Main Board (M21, M22, M23, M24, M25, M26)	M25 - PBH113E35BXAA	
NS 30132023	Main Board (M12, M13, M14, M15, M16, M17)	M26 - PBH113E35CBAA	
NS 30132024	Main Board (M1, M2, M3, M6, M7, M8)		

Blower / Fan Assy



Blower / Fan Assy

Ref. Part No: No:	Description:	Ref. Part No: No:	Description:
<i>Image 1:</i>		Expanded Model Nomenclature	
11	150110332 Motor FN30F (M4, M5, M10, M11, M12, M13, M14, M15, M16, M17, M21, M22, M23, M24, M25, M26)	M1 - PBC092E00BBAA	
11	150110333 Motor FN30V (M1, M2, M3, M6, M7, M8, M18, M19, M20)	M2 - PBC092E00BXAA	
21	26112905 Baffle Plate	M3 - PBC092E00CBAA	
31	2220101901 (BLOWER SHROUD)Snail Shell (M11, M14, M17, M23, M26)	M4 - PBC093E00BBAA	
31	2220101902 (BLOWER SHROUD)Snail Shell (M3, M8, M20)	M5 - PBC093E00BXAA	
31	22202906 (BLOWER SHROUD)Snail Shell (M1, M2, M4, M5, M6, M7, M8, M9, M10, M11, M12, M13, M14, M15, M16, M18, M19, M20, M21, M22, M23, M24, M25)	M6 - PBC122E00BBAA	
41	10312903 (BLOWER FAN) Centrifugal Fan	M7 - PBC122E00BXAA	
51	01231021 (SHROUD) Front Clapboard Assy (M1, M2, M5, M6, M7, M9, M10, M13, M16, M18, M19, M20, M22, M25)	M8 - PBC122E00CBAA	
51	01231098 (SHROUD) Front Clapboard Assy (M14, M23)	M9 - PBC123E00BBAA	
51	01231100 (SHROUD) Front Clapboard Assy (M15, M17, M24, M26)	M10 - PBC123E00BXAA	
51	01234098 (SHROUD) Front Clapboard Assy (M4, M12, M21)	M11 - PBC123E00CBAA	
61	32001011 (HEATER) Electric Heater Assy (M12, M13, M14, M15, M16, M17, M21, M22, M23, M24, M25, M26)	M12 - PBE093E35BBAA	
61	32001015 (HEATER) Electric Heater Assy (M18, M19, M20)	M13 - PBE093E35BXAA	
71	01382902 Connecting Plate	M14 - PBE093E35CBAA	
81	01702901 Motor Support (M1, M2, M3, M4, M5, M6, M7, M8, M9, M10, M11, M12, M13, M15, M16, M18, M19, M20, M21, M22, M23, M24, M25)	M15 - PBE123E35BBAA	
91	1501104710 Fan Motor (M4, M12, M14, M15, M17, M21, M23, M24, M26)	M16 - PBE123E35BXAA	
91	15011048 Fan Motor (M5, M9, M10, M11, M13, M16, M22, M25)	M17 - PBE123E35CBAA	
91	150110341 Fan Motor FW65U (M1, M2, M3, M6, M7, M8, M18, M20)	M18 - PBH092E12BBAA	
101	10371005 (FAN SHROUD) Diversion Circle	M19 - PBH092E12BXAA	
121	10331008 Axial Flow Fan (M1, M2, M3, M5, M6, M7, M8, M9, M10, M11, M13, M15, M16, M17, M18, M19, M20, M22, M24, M25, M26)	M20 - PBH092E12CBAA	
121	10331012 Axial Flow Fan (M4, M12, M14, M21, M23)	M21 - PBH093E35BBAA	
131	OBSOLETE Cover Plate (M1, M2, M3, M4, M5, M6, M7, M8, M9, M10, M11, M12, M13, M15, M16, M17, M18, M19, M20, M21, M22, M24, M25, M26)	M22 - PBH093E35BXAA	
NS	07133001 (DRAIN) One Way Valve (M18, M19, M20, M21, M22, M23, M24, M25, M26)	M23 - PBH093E35CBAA	
NS	4300040021 Magnet Coil (M18, M19, M20)	M24 - PBH113E35BBAA	
NS	4300040022 Magnet Coil (M21, M23, M24, M26)	M25 - PBH113E35BXAA	
NS	4300040042 Magnet Coil (M22, M25)	M26 - PBH113E35CBAA	