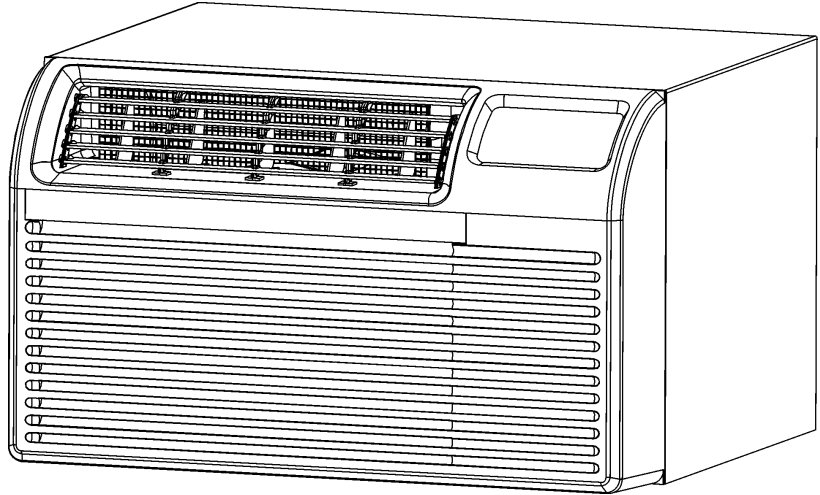


# REPAIR PARTS

## PBC/PBE/PBH "G" Room Air Conditioners

PBC092G00CB  
PBC092G00CCAA  
PBC093G00CB  
PBC093G00CCAA  
PBC122G00CB  
PBC122G00CCAA  
PBC123G00CB  
PBC123G00CCAA  
PBE093G35CB  
PBE093G35CCAA  
PBE123G35CB  
PBE123G35CCAA  
PBH073G35CB  
PBH073G35CCAA  
PBH092G12CB  
PBH092G12CCAA  
PBH093G35CB  
PBH093G35CCAA  
PBH113G35CB  
PBH113G35CCAA



This manual is to be used by qualified technicians only.

This manual replaces RP-887.

© 2014 , 2017 Goodman Company, L.P. ♦ 5151 San Felipe St, Suite 500 ♦ Houston, TX 77056

# Important Information

---

## Index

Functional Parts List .....	3
Illustration and Parts .....	4 - 7

*Views shown are for parts illustrations only, not servicing procedures*

GREE Air Conditioners

### Text Codes:

AR - As Required

NA - Not Available

NS - Not Shown

00000000 - See Note

QTY - Quantity Example (QTY 3) (If Quantity not shown, Quantity = 1)

M - Model Example (M1) (If M Code not shown, then part is used on all Models)

### Expanded Model Nomenclature:

Example M1 - Model#1 M2 - Model#2 M3 - Model#3
---

Goodman Company, L.P. is not responsible for personal injury or property damage resulting from improper service. Review all service information before beginning repairs.

Warranty service must be performed by an authorized technician, using authorized factory parts. If service is required after the warranty expires, Goodman Company, L.P. also recommends contacting an authorized technician and using authorized factory parts.

Goodman Company, L.P. reserves the right to discontinue, or change at any time, specifications or designs without notice or without incurring obligations.

For assistance within the U.S.A. contact:

Homeowner Support  
Goodman Company, L.P.  
19001 Kermier Road  
Waller, Texas 77484  
877-254-4729-Telephone  
713-863-2382-Facsimile

For assistance outside the U.S.A. contact:

International Division  
Goodman Company, L.P.  
19001 Kermier Road  
Waller, Texas 77484  
713-861-2500-Telephone  
713-863-2382-Facsimile

# Functional Parts

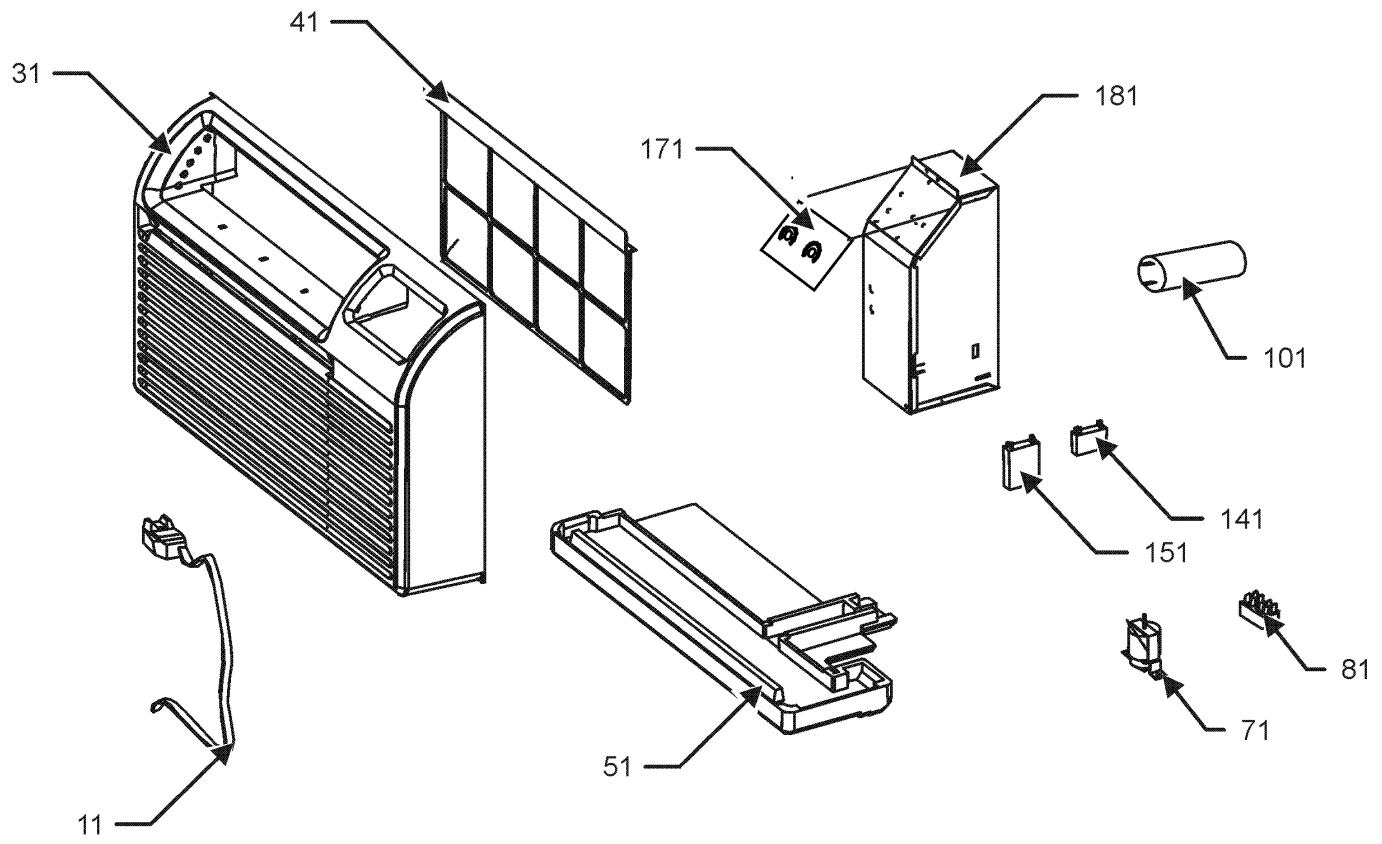
**Part No:**            **Description:**

Part No:	Description:	Expanded Model Nomenclature
39000191	Ambient Temperature Sensor	M1 - PBC092G00CB
10331012	Axial Flow Fan	M2 - PBC092G00CCAA
10312903	BLOWER FAN (Centrifugal Fan)	M3 - PBC093G00CB
3301074710	Capacitor CBB61 (M3, M4, M7, M8, M9, M10, M11, M12, M13, M14, M17, M18, M19, M20)	M4 - PBC093G00CCAA
33010069	Capacitor CBB61 (M1, M2, M5, M6, M15, M16)	M5 - PBC122G00CB
3301074714	Capacitor CBB61S (M1, M2, M5, M6, M15, M16)	M6 - PBC122G00CCAA
3301074701	Capacitor CBB61S (M3, M4, M7, M8, M9, M10, M11, M12, M13, M14, M17, M18, M19, M20)	M7 - PBC123G00CB
3300008111	Capacitor CBB65 (M13, M14)	M8 - PBC123G00CCAA
3300008113	Capacitor CBB65 (M1, M2, M15, M16)	M9 - PBE093G35CB
33000081	Capacitor CBB65 (M3, M4, M9, M10, M17, M18)	M10 - PBE093G35CCAA
3300008105	Capacitor CBB65 (M5, M6)	M11 - PBE123G35CB
3300008101	Capacitor CBB65 (M7, M8, M11, M12, M19, M20)	M12 - PBE123G35CCAA
180259	Compressor Overload Protector(Internal) (M1, M2, M3, M4, M5, M6, M7, M8, M9, M10, M11, M12, M15, M16)	M13 - PBH073G35CB
150110336	Fan Motor (M1, M2, M5, M6, M15, M16)	M14 - PBH073G35CCAA
150110335	Fan Motor (M3, M4, M7, M8, M9, M10, M11, M12, M13, M14, M17, M18, M19, M20)	M15 - PBH092G12CB
150110347	Fan Motor (M1, M2, M5, M6, M15, M16)	M16 - PBH092G12CCAA
1501104710	Fan Motor (M3, M4, M7, M8, M9, M10, M11, M12, M13, M14, M17, M18, M19, M20)	M17 - PBH093G35CB
32001011	HEATER (Electric Heat Groupware) (M9, M10, M11, M12, M13, M14, M17, M18, M19, M20)	M18 - PBH093G35CCAA
32001015	HEATER (Electric Heater Assy) (M15, M16)	M19 - PBH113G35CB
30132189	Main Board (M1, M2, M3, M4, M5, M6, M7, M8)	M20 - PBH113G35CCAA
30132188	Main Board (M9, M10, M11, M12)	
30132187	Main Board (M13, M14, M15, M16, M17, M18, M19, M20)	
4002036350	Power cord (LCDI) (M1, M2, M5, M6, M15, M16)	
4002036353	Power cord (LCDI) (M9, M10, M11, M12, M13, M14, M17, M18, M19, M20)	
4002036351	Power cord (LCDI) (M3, M4, M7, M8)	
39000191	Room Sensor (M9, M10, M11, M12, M13, M14, M15, M16, M17, M18, M19, M20)	
390000372	Temperature Sensor (M13, M14, M15, M16, M17, M18, M19, M20)	
390000598	Temperature Sensor	
42011103	Terminal Board	
4311025601	Transformer (M1, M2, M5, M6, M15, M16)	
43110258	Transformer (M3, M4, M7, M8, M9, M10, M11, M12, M13, M14, M17, M18, M19, M20)	

**SPECIAL PARTS**

30510405\_L19569    Remote Controller

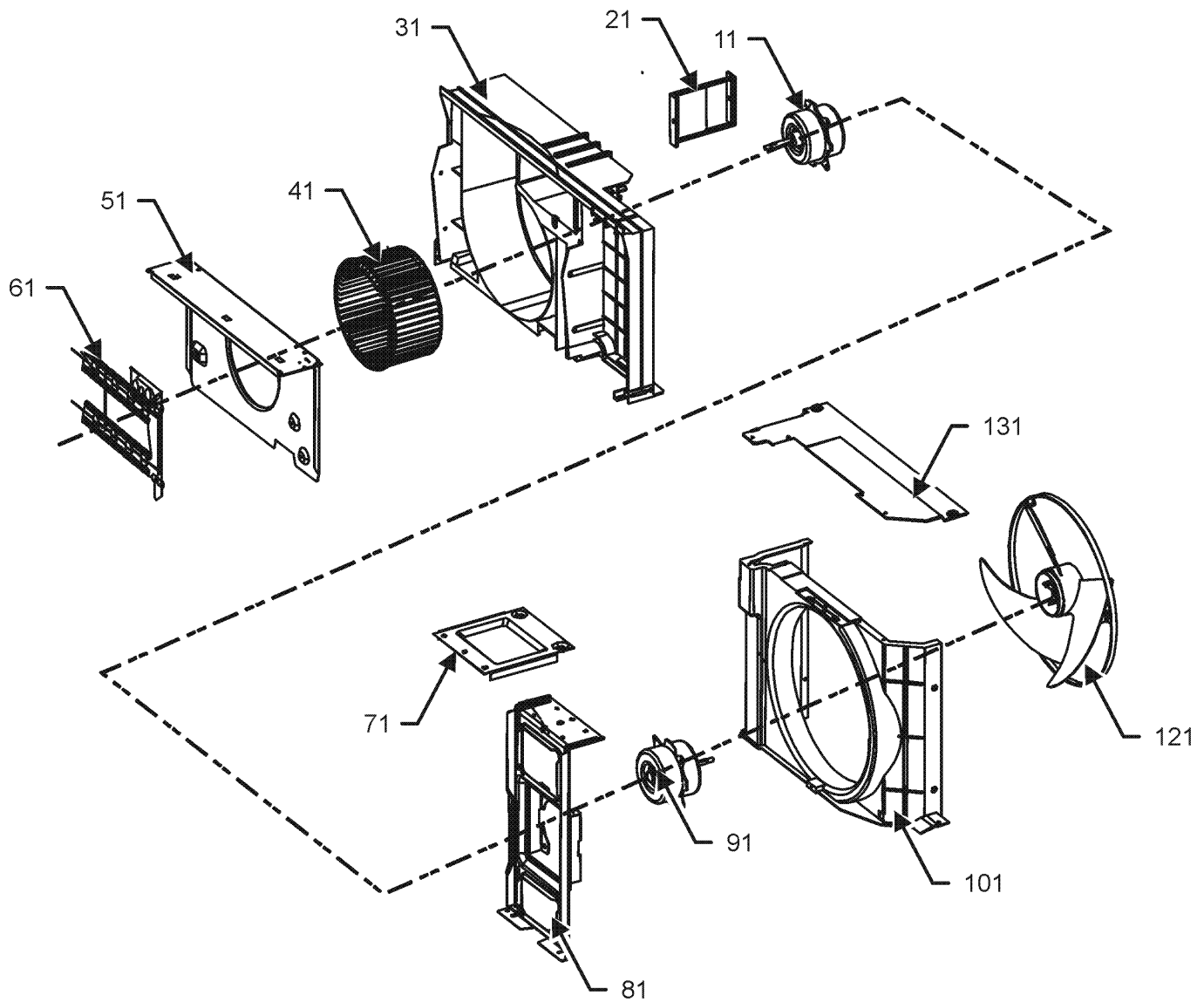
# Front Panel and Control Box Assembly



# Front Panel and Control Box Assembly

Ref. Part No: No:	Description:	Ref. Part No: No:	Description:
<i>Image 1:</i>		<b>Expanded Model Nomenclature</b>	
11	4002036350 Power cord (LCDI) (M1, M2, M5, M6, M15, M16)	M1	- PBC092G00CB
11	4002036351 Power cord (LCDI) (M3, M4, M7, M8)	M2	- PBC092G00CCAA
11	4002036353 Power cord (LCDI) (M9, M10, M11, M12, M13, M14, M17, M18, M19, M20)	M3	- PBC093G00CB
31	27221662001 Front Panel	M4	- PBC093G00CCAA
41	1112290201 Filter	M5	- PBC122G00CB
51	12412901 DRAIN PAN (Water Tray)	M6	- PBC122G00CCAA
71	7101001 DRAIN VALVE (Drainage Valve)	M7	- PBC123G00CB
81	42011103 Terminal Board	M8	- PBC123G00CCAA
101	33010069 Capacitor CBB61 (M1, M2, M5, M6, M15, M16)	M9	- PBE093G35CB
101	3301074710 Capacitor CBB61 (M3, M4, M7, M8, M9, M10, M11, M12, M13, M14, M17, M18, M19, M20)	M10	- PBE093G35CCAA
141	3300008101 Capacitor CBB65 (M7, M8, M11, M12, M19, M20)	M11	- PBE123G35CB
141	3300008111 Capacitor CBB65 (M13, M14)	M12	- PBE123G35CCAA
141	3300008113 Capacitor CBB65 (M1, M2, M15, M16)	M13	- PBH073G35CB
151	3301074701 Capacitor CBB61S (M3, M4, M7, M8, M9, M10, M11, M12, M13, M14, M17, M18, M19, M20)	M14	- PBH073G35CCAA
151	3301074714 Capacitor CBB61S (M1, M2, M5, M6, M15, M16)	M15	- PBH092G12CB
151	330000081 Capacitor CBB65 (M3, M4, M9, M10, M17, M18)	M16	- PBH092G12CCAA
151	33000008105 Capacitor CBB65 (M5, M6)	M17	- PBH093G35CB
171	30562075 Display Board (M13, M14, M17, M18, M19, M20)	M18	- PBH093G35CCAA
171	30562077 Display Board (M1, M2, M3, M4, M5, M6, M7, M8)	M19	- PBH113G35CB
171	30562078 Display Board (M15, M16)	M20	- PBH113G35CCAA
171	30562079 Display Board (M9, M10, M11, M12)		
181	1411405 Electric Box Cover (M9, M10, M11, M12, M13, M14, M15, M16, M17, M18, M19, M20)		
NS	39000191 Ambient Temperature Sensor		
NS	180259 Compressor Overload Protector(Internal) (M1, M2, M3, M4, M5, M6, M7, M8, M9, M10, M11, M12, M15, M16)		
NS	30132187 Main Board (M13, M14, M15, M16, M17, M18, M19, M20)		
NS	30132188 Main Board (M9, M10, M11, M12)		
NS	30132189 Main Board (M1, M2, M3, M4, M5, M6, M7, M8)		
NS	30510405_L19569 Remote Controller		
NS	39000191 Room Sensor (M9, M10, M11, M12, M13, M14, M15, M16, M17, M18, M19, M20)		
NS	390000372 Temperature Sensor (M13, M14, M15, M16, M17, M18, M19, M20)		
NS	390000598 Temperature Sensor		
NS	4311025601 Transformer (M1, M2, M5, M6, M15, M16)		
NS	43110258 Transformer (M3, M4, M7, M8, M9, M10, M11, M12, M13, M14, M17, M18, M19, M20)		
NS	PBTCK01 TTW THERM CONT CONV KIT (M2, M4, M6, M8, M10, M12, M14, M16, M18, M20)		

# Blower and Fan Assembly



# Blower and Fan Assembly

Ref. Part No:	Part No:	Description:	Ref. Part No:	Part No:	Description:
<b>Image 1:</b>					
11	150110335	Fan Motor (M3, M4, M7, M8, M9, M10, M11, M12, M13, M14, M17, M18, M19, M20)			
11	150110336	Fan Motor (M1, M2, M5, M6, M15, M16)			
21	26112905	Baffle Plate			
31	22201020	BLOWER SHROUD (Propeller Housing)			
41	10312903	BLOWER FAN (Centrifugal Fan)			
51	1231098	Front Clapboard Assy (M1, M2, M3, M4, M5, M6, M7, M8)			
51	1231100	Front Clapboard Assy (M9, M10, M11, M12, M13, M14, M17, M18, M19, M20)			
51	1231160	Front Clapboard Assy (M15, M16)			
61	32001011	HEATER (Electric Heat Groupware) (M9, M10, M11, M12, M13, M14, M17, M18, M19, M20)			
61	32001015	HEATER (Electric Heater Assy) (M15, M16)			
71	01382902P	Connection Board			
81	1701028	Motor Support Sub-Assy (M3, M4, M7, M8, M9, M10, M11, M12, M13, M14, M17, M18, M19, M20)			
81	1701029	Motor Support Sub-Assy (M1, M2, M5, M6, M15, M16)			
91	150110347	Fan Motor (M1, M2, M5, M6, M15, M16)			
91	1501104710	Fan Motor (M3, M4, M7, M8, M9, M10, M11, M12, M13, M14, M17, M18, M19, M20)			
101	10371005	FAN SHROUD (Diversion Circle)			
121	10331012	Axial Flow Fan			
131	20121106	Top Cover			
NS	7131147	(DRAIN) One way Valve (M13, M14, M15, M16, M17, M18, M19, M20)			
NS	4300040021	Magnet Coil (M15, M16)			
NS	4300040022	Magnet Coil (M13, M14, M17, M18, M19, M20)			

## Expanded Model Nomenclature

M1 - PBC092G00CB
M2 - PBC092G00CCAA
M3 - PBC093G00CB
M4 - PBC093G00CCAA
M5 - PBC122G00CB
M6 - PBC122G00CCAA
M7 - PBC123G00CB
M8 - PBC123G00CCAA
M9 - PBE093G35CB
M10 - PBE093G35CCAA
M11 - PBE123G35CB
M12 - PBE123G35CCAA
M13 - PBH073G35CB
M14 - PBH073G35CCAA
M15 - PBH092G12CB
M16 - PBH092G12CCAA
M17 - PBH093G35CB
M18 - PBH093G35CCAA
M19 - PBH113G35CB
M20 - PBH113G35CCAA