

Models and manufacturing
numbers in this manual

EGHW0040XA	P6819301F
EGWH0040CA	P6864002F
EGWH0040CB	P6864005F
EGWH0040DA	P6864001F
EGWH0040DB	P6864004F
EGWH0040LA	P6864003F

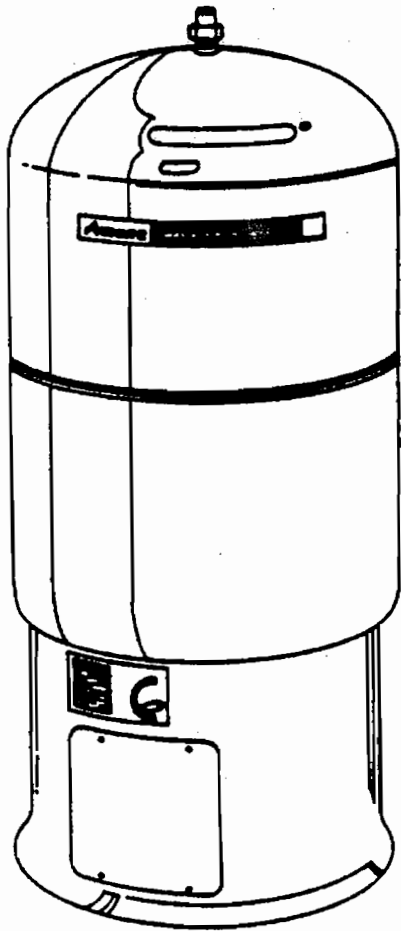
Parts

C-059/24/96

EGWH Water Tank

This manual replaces R0202003, Revision 3.

Parts Manual for
Amana®



This manual is to be used by qualified appliance technicians only. Amana Refrigeration Inc. does not assume any responsibility for property damage or personal injury for improper service procedures done by an unqualified person.

Amana
A Raytheon Company

RP6660001
Revision 0
August 1996

Important Information

Pride and workmanship go into every product to provide our customers with quality products. It is possible, however, that during its lifetime a product may require service. Products should be serviced only by a qualified service technician who is familiar with the safety procedures required in the repair and who is equipped with the proper tools, parts, testing instruments and the appropriate service manual.

REVIEW ALL SERVICE INFORMATION IN THE APPROPRIATE SERVICE MANUAL BEFORE BEGINNING REPAIRS.

Important Notices



IF REPAIRS ARE ATTEMPTED BY UNQUALIFIED PERSONS, DANGEROUS CONDITIONS (SUCH AS EXPOSURE TO ELECTRICAL SHOCK) MAY RESULT. THIS MAY CAUSE SERIOUS INJURY OR DEATH.



AMANA WILL NOT BE RESPONSIBLE FOR ANY INJURY OR PROPERTY DAMAGE ARISING FROM IMPROPER SERVICE OR SERVICE PROCEDURES. IF YOU PERFORM SERVICE ON YOUR OWN PRODUCT, YOU ASSUME RESPONSIBILITY FOR ANY PERSONAL INJURY OR PROPERTY DAMAGE WHICH MAY RESULT.

To locate an authorized servicer, please consult your telephone book or the dealer from whom you purchased this product. For further assistance, please contact:

CONSUMER AFFAIRS DEPT.
AMANA REFRIGERATION, INC.
AMANA, IOWA 52204

**OR
CALL**

1-319-622-5511
and ask for
Consumer Affairs

If outside the United States contact:

AMANA REFRIGERATION, INC.
ATTN: INTERNATIONAL DIVISION
AMANA, IOWA 52204, USA
Telephone: (319) 622-5511
Facsimile: (319) 622-2180

RECOGNIZE SAFETY SYMBOLS, WORDS AND LABELS



DANGER - Immediate hazards which WILL result in severe personal injury or death.



WARNING - Hazards or unsafe practices which COULD result in severe personal injury or death.



CAUTION - Hazards or unsafe practices which COULD result in minor personal injury or product or property damage.

Index

Functional Parts List	5
Illustration and Parts	6 - 7

Views shown are for parts illustrations only, not servicing procedures.

This manual replaces R02020003 Revision 3.

Text Codes:

AR - As Required

0000 - Not Shown

QTY - Quantity Example (QTY 3) (If Quantity not shown, Quantity = 1)

M - Model Example (M1) (If M Code not shown, then part is used on all Models)

Expanded Model and Color Nomenclature:

Example	
M1 - Model#1	P _____
M2 - Model#2	P _____
M3 - Model#3	P _____

Functional Parts

Part

No: Description:

C6296003	"O" RING, HONEYWELL, DIVERTER VALVE (M1, M2)
C6296004	END SWITCH, HONEYWELL, DIVERTER VALVE ONLY
R0182065	GASKET, 6 HOLE HEAT EXCHANGER (M1, M2)
R0182069	GASKET, 8 HOLE HEAT EXCHANGER (AFTER SERIAL NUMBER L86950196)
C6296002	MOTOR, HONEYWELL, DIVERTER VALVE, 24V. 50-60 HZ, .32 AMP (M1, M2)
C6296001	POWER HEAD, HONEYWELL, (DIVERTER VALVE INCLUDES ITEM NUMBER 10 AND 11)
B1395501	RELAY (SHIPPED WITH WATER HEATER) (M3, M4, M5, M6)
R0118245	SERVICE REPLACEMENT 6 STUD HEAT EXCHANGER ASSEMBLY, INCLUDES THERMOSTAT CONTROL AND GASKET (M1, M2)
R0156536	SERVICE REPLACEMENT 8 STUD HEAT EXCHANGER ASSEMBLY, INCLUDES THERMOSTAT CONTROL AND GASKET (M3, M6)
R0118272	SERVICE REPLACEMENT 8 STUD HEAT EXCHANGER ASSEMBLY, INCLUDES THERMOSTAT CONTROL AND GASKET (M4)
R0118246	SERVICE REPLACEMENT 8 STUD HEAT EXCHANGER ASSEMBLY, INCLUDES THERMOSTAT CONTROL AND GASKET (AFTER SERIAL NUMBER L86950196) (M1, M2, M5)
R0156522	SERVICE REPLACEMENT THERMOSTAT ASSEMBLY (M3, M4, M5, M6)
R0157353	SERVICE REPLACEMENT THERMOSTAT ASSEMBLY (M1, M2)
D6822002	VALVE, 3 WAY DIVERTER, COMPLETE (HONEYWELL)
B1395601	WIRE BAIL RELAY (SHIPPED WITH WATER HEATER) (M3, M4, M5, M6)

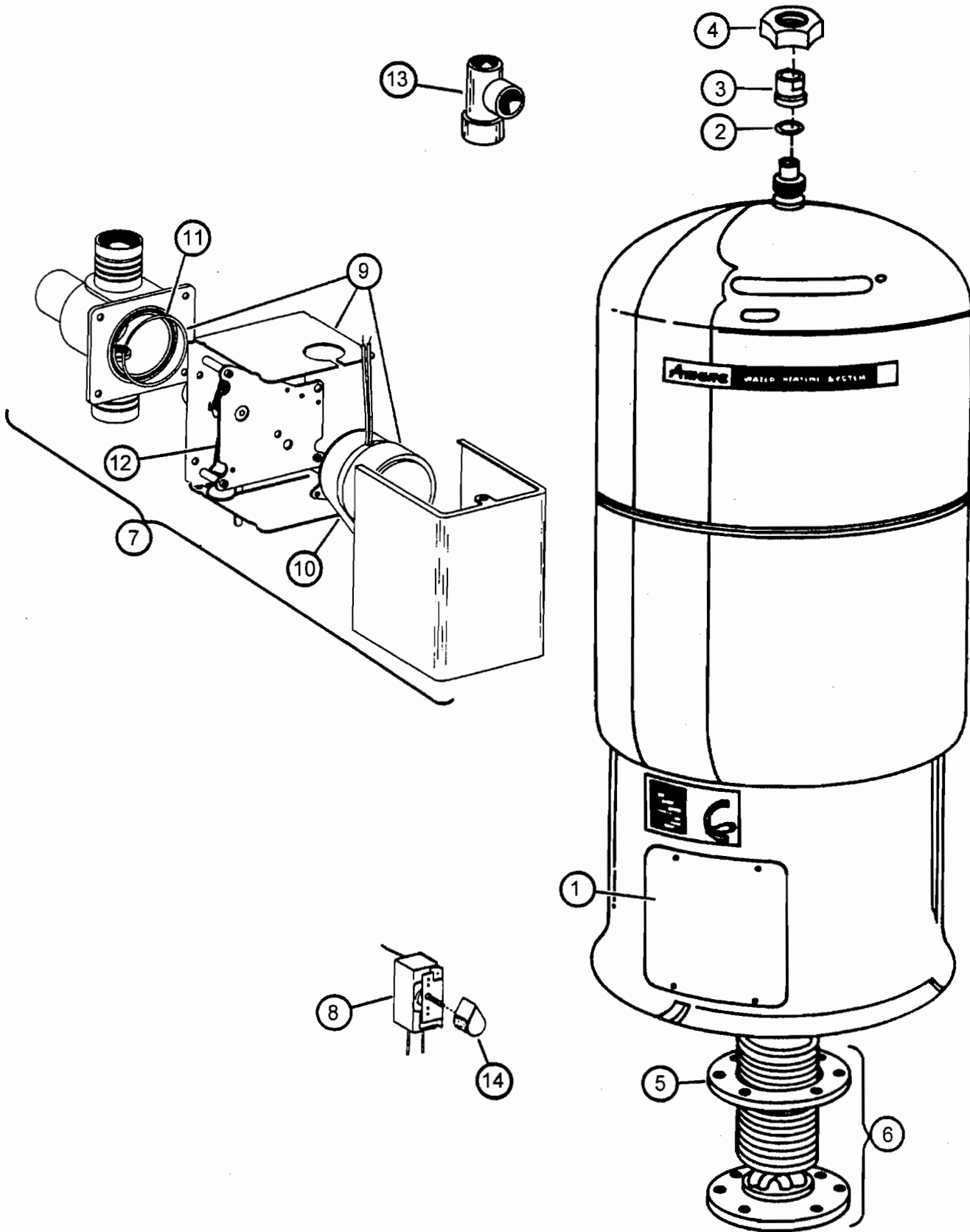
SPECIAL PARTS

RP2020003	MANUAL-PARTS
R02020006	MANUAL-SERVICE

Expanded Model and Color Nomenclature

M1 - EGWH0040XA	P6819301F
M2 - EGWH0040DA	P6864001F
M3 - EGWH0040CA	P6864002F
M4 - EGWH0040LA	P6864003F
M5 - EGWH0040DB	P6864004F
M6 - EGWH0040CB	P6864005F

Parts



Parts

Ref. No:	Part No:	Description:	Ref. No:	Part No:	Description:
<i>Image 1</i>					
0000	B1395501	RELAY (SHIPPED WITH WATER HEATER) (M3, M4, M5, M6)			
0000	B1395601	WIRE BAIL RELAY (SHIPPED WITH WATER HEATER) (M3, M4, M5, M6)			
0001	R0194132	FRONT ACCESS PANEL			
0002	R0191067	"O" RING, SILICONE SEAL, WATER OUTLET			
0003	R0191066	1/2 UNION (M1, M2)			
0004	R0189028	UNION NUT (M1, M2)			
0005	R0182065	GASKET, 6 HOLE HEAT EXCHANGER (M1, M2)			
0005	R0182069	GASKET, 8 HOLE HEAT EXCHANGER (AFTER SERIAL NUMBER L86950196)			
0006	R0118272	SERVICE REPLACEMENT 8 STUD HEAT EXCHANGER ASSEMBLY, INCLUDES THERMOSTAT CONTROL AND GASKET (M4)			
0006	R0118246	SERVICE REPLACEMENT 8 STUD HEAT EXCHANGER ASSEMBLY, INCLUDES THERMOSTAT CONTROL AND GASKET (AFTER SERIAL NUMBER L86950196) (M1, M2, M5)			
0006	R0118245	SERVICE REPLACEMENT 6 STUD HEAT EXCHANGER ASSEMBLY, INCLUDES THERMOSTAT CONTROL AND GASKET (M1, M2)			
0006	R0156536	SERVICE REPLACEMENT 8 STUD HEAT EXCHANGER ASSEMBLY, INCLUDES THERMOSTAT CONTROL AND GASKET (M3, M6)			
0007	D6822002	VALVE, 3 WAY DIVERTER, COMPLETE (HONEYWELL)			
0008	R0157353	SERVICE REPLACEMENT THERMOSTAT ASSEMBLY (M1, M2)			
0008	R0156522	SERVICE REPLACEMENT THERMOSTAT ASSEMBLY (M3, M4, M5, M6)			
0009	C6296001	POWER HEAD, HONEYWELL, (DIVERTER VALVE INCLUDES ITEM NUMBER 10 AND 11)			
0010	C6296002 <i>10060102</i>	MOTOR, HONEYWELL, DIVERTER VALVE, 24V. 50-60 HZ, .32 AMP (M1, M2)			
0011	C6296003 <i>10060103</i>	"O" RING, HONEYWELL, DIVERTER VALVE (M1, M2)			
0012	C6296004	END SWITCH, HONEYWELL, DIVERTER VALVE ONLY			
0013	B1390201	OUTLET TREE (M3, M4, M5, M6)			
0014	R0181120	KNOB, THERMOSTAT			

Subs to
←

R01182-77 8 Bolt Tin Coated Heat Exchanger ERG-54

Expanded Model and Color Nomenclature

M1 - EGWH0040XA	P6819301F
M2 - EGWH0040DA	P6864001F
M3 - EGWH0040CA	P6864002F
M4 - EGWH0040LA	P6864003F
M5 - EGWH0040DB	P6864004F
M6 - EGWH0040CB	P6864005F

R01010-63 Spray Tube T-Stat 145°
R01565-22 T-Stat contains R01010-42 T-Stat & Insul.



11

