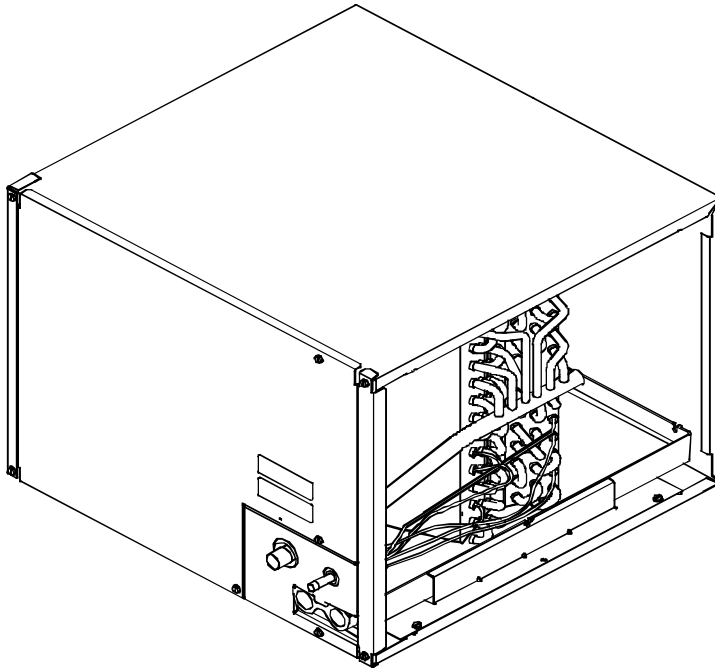


Service Parts

CCF*F*C and CHF*TCC Coils for R-22 Units

This manual is to be used by qualified appliance technicians only



Models and manufacturing numbers in this manual

CCF24FCC	P1258401C
CCF24FDC	P1258407C
CCF30FCC	P1258402C
CCF36FCC	P1258403C
CCF36FDC	P1258408C
CCF42FCC	P1258404C
CCF48FCC	P1258405C
CCF48FDC	P1258409C
CCF60FCC	P1258406C
CCF61FCC	P1258417C
CHF18TCC	P1258410C
CHF24TCC	P1258411C
CHF30TCC	P1258412C
CHF36TCC	P1258413C
CHF42TCC	P1258414C
CHF48TCC	P1258415C
CHF60TCC	P1258416C



Amana is a trademark of Maytag Corporation and used under license to Goodman Company, L.P. All rights reserved.

RP6230012
Revision 0
September 2004

Copyright © 2004 Goodman Company, L.P.

Important Information

Goodman Company, L.P. is not responsible for personal injury or property damage resulting from improper service. Review all service information before beginning repairs.

Warranty service must be performed by an authorized technician, using authorized factory parts. If service is required after the warranty expires, Goodman Company, L.P. also recommends contacting an authorized technician and using authorized factory parts.

For assistance within the U.S.A. contact:

Consumer Affairs Department
Goodman Company, L.P.
7401 Security Way
Houston, Texas 77040
877-254-4729-Telephone
713-863-2382-Facsimile

For assistance outside the U.S.A. contact:

International Division
Goodman Company, L.P.
7401 Security Way
Houston, Texas 77040
713-861-2500-Telephone
713-863-2382-Facsimile

Index

Functional Parts List 5
Illustration and Parts 6 - 9

Views shown are for parts illustrations only, not servicing procedures.

Text Codes:

- AR - As Required
- NA - Not Available
- NS - Not Shown
- 00000000 - See Note
- QTY - Quantity Example (QTY 3) (If Quantity not shown, Quantity = 1)
- M - Model Example (M1) (If M Code not shown, then part is used on all Models)

Expanded Model Nomenclature:

Example	
M1 - Model#1	P _____
M2 - Model#2	P _____
M3 - Model#3	P _____

THIS PAGE LEFT BLANK INTENTIONALLY

Functional Parts

Part

No: Description:

22300201	CCF24FCC C-CHAS (M1)
22300207	CCF24FDC C-CHAS (M7)
22300202	CCF30FCC C-CHAS (M2)
22300203	CCF36FCC C-CHAS (M3)
22300308	CCF36FDC C-CHAS (M8)
22300204	CCF42FCC C-CHAS (M4)
22300205	CCF48FCC C-CHAS (M5)
22300209	CCF48FDC C-CHAS (M9)
22300206	CCF60FCC C-CHAS (M6)
22300217	CCF61FCC C-CHAS (M17)
22300210	CHF18TCC C-CHAS (M10)
22300211	CHF24TCC C-CHAS (M11)
22300212	CHF30TCC C-CHAS (M12)
22300213	CHF36TCC C-CHAS (M13)
22300214	CHF42TCC C-CHAS (M14)
22300215	CHF48TCC C-CHAS (M15)
22300216	CHF60TCC C-CHAS (M16)
11062025	VALVE-EXPANSION (M16)
11062022	VALVE-EXPANSION (M10, M11)
11062023	VALVE-EXPANSION (M12, M13)
11062024	VALVE-EXPANSION (M14, M15)

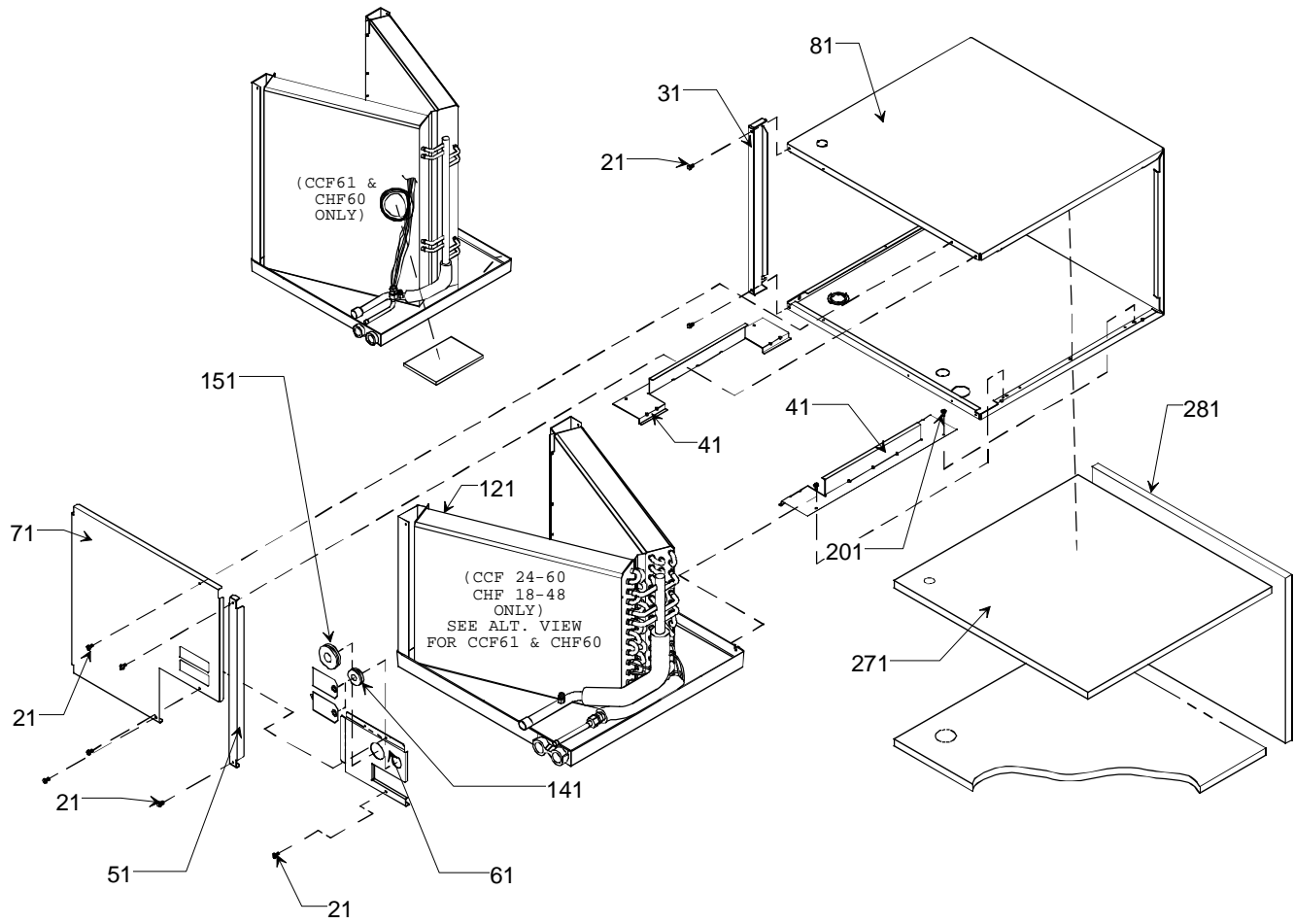
SPECIAL PARTS

20490302	CERT-WARRANTY AMANA
RS6200003	MANUAL SERVICE
10618423	MANUAL-INSTALL
RP6230012	MANUAL-PARTS

Expanded Model Nomenclature

M1 - CCF24FCC	P1258401C
M2 - CCF30FCC	P1258402C
M3 - CCF36FCC	P1258403C
M4 - CCF42FCC	P1258404C
M5 - CCF48FCC	P1258405C
M6 - CCF60FCC	P1258406C
M7 - CCF24FDC	P1258407C
M8 - CCF36FDC	P1258408C
M9 - CCF48FDC	P1258409C
M10 - CHF18TCC	P1258410C
M11 - CHF24TCC	P1258411C
M12 - CHF30TCC	P1258412C
M13 - CHF36TCC	P1258413C
M14 - CHF42TCC	P1258414C
M15 - CHF48TCC	P1258415C
M16 - CHF60TCC	P1258416C
M17 - CCF61FCC	P1258417C

Coil Cabinet



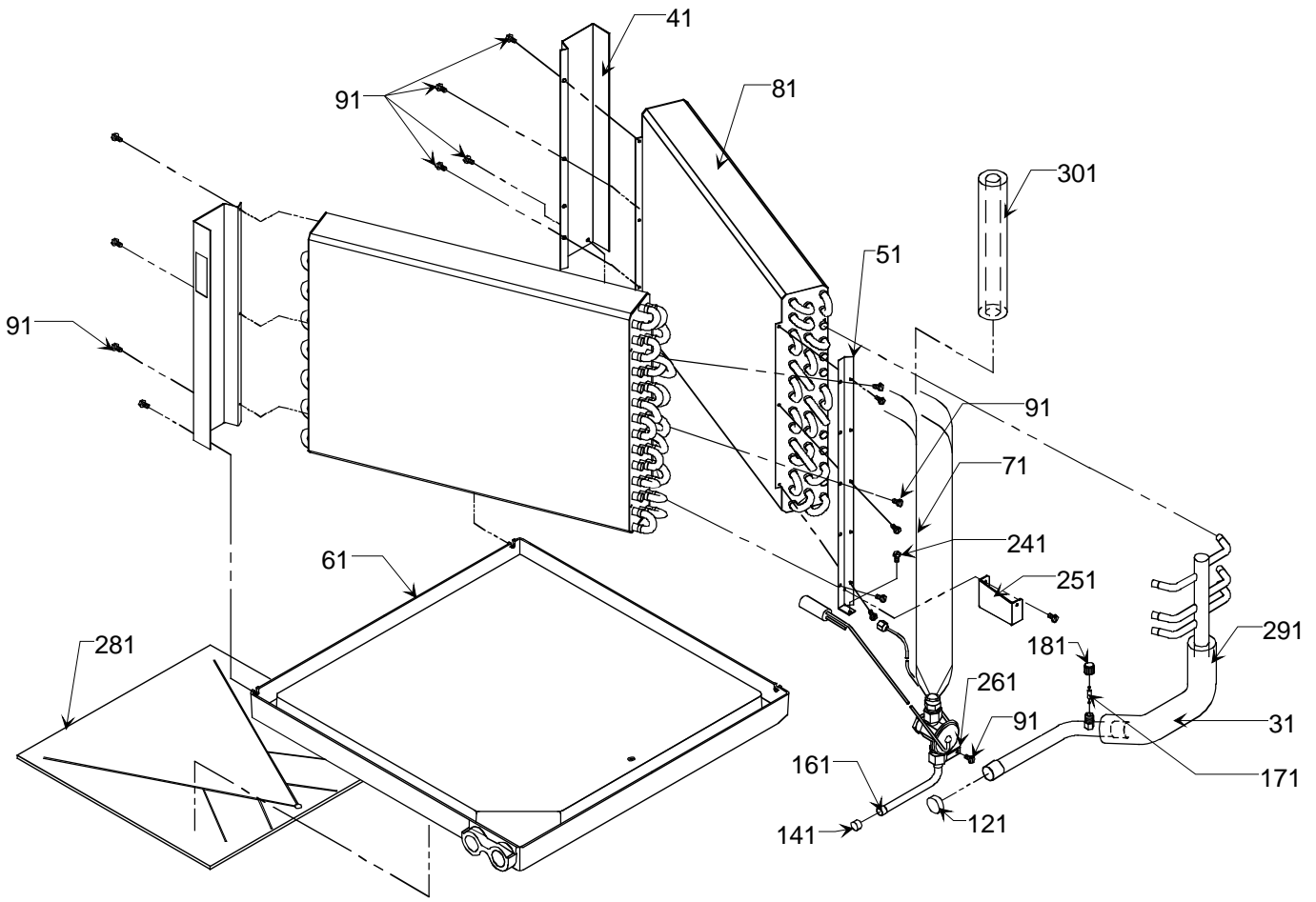
Coil Cabinet

Ref. Part No:	Ref. Part No:	Description:	Description:	
<i>Image 1:</i>				
21	M0211016	SCREW-SM #8-3/8LG (QTY AR)	281 20258609	INSUL-CABINET BACK (M4, M5, M7, M8, M13, M14)
31	11081804	CABINET TOP ASSY (M1, M2, M3)	281 20258610	INSUL-CABINET BACK (M6, M9, M15, M16, M17)
31	11081805	CABINET TOP ASSY (M4, M5, M7)	NS 10801106	FLANGE-DUCT BWR (M1, M2, M3, M4, M5, M7, M8, M9, M10, M11, M12, M13, M14)
31	11081806	CABINET TOP ASSY (M6, M9)	NS 10801107	FLANGE-DUCT BWR (QTY AR)
31	11081810	CABINET TOP ASSY (M8, M10, M11, M12, M13)		
31	11081811	CABINET TOP ASSY (M14, M15)		
31	11081812	CABINET TOP ASSY (M16, M17)		
41	20186503	MOUNT-PAN BWR (QTY AR)		
41	20186504	MOUNT-PAN BWR (M6, M9, M15)		
51	11081304	FRONT PNL ASSY (M1, M2, M3)		
51	11081305	FRONT PNL ASSY (M4, M5, M7, M8)		
51	11081306	FRONT PNL ASSY (M6, M9, M17)		
51	11081310	FRONT PNL ASSY (M10, M11, M12)		
51	11081311	FRONT PNL ASSY (M13, M14)		
51	11081312	FRONT PNL ASSY (M15, M16)		
61	11176201	PIPING DOOR ASSY (M1, M2, M3, M4, M5, M6, M7, M8, M9, M17)		
61	11176203	PIPING DOOR ASSY (M10, M11, M12, M13, M14, M15, M16)		
71	11081403	CABINET DOOR ASSY (M1, M2, M3)		
71	11081404	CABINET DOOR ASSY (M4, M5, M7, M8)		
71	11081405	CABINET DOOR ASSY (M6, M9, M17)		
71	11081411	CABINET DOOR ASSY (M10, M11, M12)		
71	11081412	CABINET DOOR ASSY (M13, M14)		
71	11081413	CABINET DOOR ASSY (M15, M16)		
81	11068623	CABINET-PNT BWR (M1, M2, M3, M10, M11, M12)		
81	11068625	CABINET-PNT BWR (M4, M5, M7, M8, M13, M14)		
81	11068627	CABINET-PNT BWR (M6, M9, M15, M16, M17)		
121	22300201	CCF24FCC C-CHAS (M1)		
121	22300207	CCF24FDC C-CHAS (M7)		
121	22300202	CCF30FCC C-CHAS (M2)		
121	22300203	CCF36FCC C-CHAS (M3)		
121	22300308	CCF36FDC C-CHAS (M8)		
121	22300204	CCF42FCC C-CHAS (M4)		
121	22300205	CCF48FCC C-CHAS (M5)		
121	22300209	CCF48FDC C-CHAS (M9)		
121	22300206	CCF60FCC C-CHAS (M6)		
121	22300217	CCF61FCC C-CHAS (M17)		
121	22300210	CHF18TCC C-CHAS (M10)		
121	22300211	CHF24TCC C-CHAS (M11)		
121	22300212	CHF30TCC C-CHAS (M12)		
121	22300213	CHF36TCC C-CHAS (M13)		
121	22300214	CHF42TCC C-CHAS (M14)		
121	22300215	CHF48TCC C-CHAS (M15)		
121	22300216	CHF60TCC C-CHAS (M16)		
141	A4691704	GROMMET		
151	A4691705	GROMMET		
201	M0210418	SCREW-SM (QTY AR)		
271	20258707	INSUL-CABINET SIDE (M1, M2, M3, M4, M5, M7, M8, M10, M11, M12, M13, M14)		
271	20258708	INSUL-CABINET SIDE (M6, M9, M15, M16, M17)		
281	20258608	INSUL-CABINET BACK (M1, M2, M3, M10, M11, M12)		

Expanded Model Nomenclature

M1 - CCF24FCC	P1258401C
M2 - CCF30FCC	P1258402C
M3 - CCF36FCC	P1258403C
M4 - CCF42FCC	P1258404C
M5 - CCF48FCC	P1258405C
M6 - CCF60FCC	P1258406C
M7 - CCF24FDC	P1258407C
M8 - CCF36FDC	P1258408C
M9 - CCF48FDC	P1258409C
M10 - CHF18TCC	P1258410C
M11 - CHF24TCC	P1258411C
M12 - CHF30TCC	P1258412C
M13 - CHF36TCC	P1258413C
M14 - CHF42TCC	P1258414C
M15 - CHF48TCC	P1258415C
M16 - CHF60TCC	P1258416C
M17 - CCF61FCC	P1258417C

Coil Chassis



Coil Chassis

Ref. Part No:	Description:	Ref. Part No:	Description:
<i>Image 1:</i>		Expanded Model Nomenclature	
41	11173607 BLOCK-AIR (M1, M2, M3, M10, M11, M12)	M1 - CCF24FCC	P1258401C
41	11173608 BLOCK-AIR (M4, M5, M7, M8, M13, M14)	M2 - CCF30FCC	P1258402C
41	11173609 BLOCK-AIR (M6, M9, M15)	M3 - CCF36FCC	P1258403C
41	11173610 BLOCK-AIR (M16, M17)	M4 - CCF42FCC	P1258404C
51	11198801 BRACKET-COIL (M1, M2, M3, M10, M11, M12)	M5 - CCF48FCC	P1258405C
51	11198802 BRACKET-COIL (M4, M5, M7, M8, M13, M14)	M6 - CCF60FCC	P1258406C
51	11198803 BRACKET-COIL (M6, M9, M15)	M7 - CCF24FDC	P1258407C
51	11198805 BRACKET-COIL (M16, M17)	M8 - CCF36FDC	P1258408C
61	11173803 DRIPPAN ASSY (M1, M2, M3, M4, M5, M6, M7, M8, M9, M10, M11, M12, M13, M14, M15)	M9 - CCF48FDC	P1258409C
61	20257001 DRIPPAN ASSY (M16, M17)	M10 - CHF18TCC	P1258410C
71	22301618 DIST (M17)	M11 - CHF24TCC	P1258411C
71	22301509 DIST ASSY (M8, M10)	M12 - CHF30TCC	P1258412C
71	22301510 DIST ASSY (M11)	M13 - CHF36TCC	P1258413C
71	22301511 DIST ASSY (M12, M13)	M14 - CHF42TCC	P1258414C
71	22301512 DIST ASSY (M14, M15)	M15 - CHF48TCC	P1258415C
71	22301513 DIST ASSY (M16)	M16 - CHF60TCC	P1258416C
91	M0211017 SCREW-SM (QTY AR)	M17 - CCF61FCC	P1258417C
121	91000702 CAP-END .625 (M1, M7, M8, M10, M11)		
121	91000704 CAP-END .750 (M2, M3, M12, M13)		
121	91000705 CAP-END .875/.035 (M4, M14)		
121	91000706 CAP-END .875/.045 (M5, M6, M9, M15, M16, M17)		
141	91000701 CAP-END .375		
171	A4692801 VALVE-CORE		
181	A4692602 NUT-CAP		
241	M0211217 SCREW-SM		
251	20280401 BRACKET BWR (M16, M17)		
281	20362501 LINER-DRIPPAN		
291	20156705 INSUL-PIPE (M16, M17)		
291	20156706 INSUL-PIPE (M1, M10, M11)		
291	20156707 INSUL-PIPE (M7)		
291	20156708 INSUL-PIPE (M2, M3, M5, M8, M12, M13, M15)		
291	20156709 INSUL-PIPE (M4, M14)		
291	20156710 INSUL-PIPE (M6, M9, M16)		
301	20156703 INSUL-PIPE (M1, M2, M3, M4, M5, M6, M7, M8, M9, M11, M12, M13, M14, M15, M16)		
NS	20031201 CLAMP-TXV BULB (M10)		
NS	20031202 CLAMP-TXV BULB (M11, M12, M13)		
NS	20031203 CLAMP-TXV BULB (M14, M15, M16)		
NS	20315802 INSUL-COIL WRAP (M10, M17)		
NS	M0321046 SLEEVE-TUBING (M16, M17)		
NS	M0321047 SLEEVE-TUBING (M1, M2, M3, M4, M5, M6, M7, M8, M9, M10, M11, M12, M13, M14, M15)		
NS	M0321202 TIE-ELEC LG (M8, M11, M12, M13, M14, M15, M16, M17)		
NS	20151801 TXV BULB STRAP ASSY (M10, M11, M12, M13, M14, M15, M16)		
NS	11062022 VALVE-EXPANSION (M10, M11)		
NS	11062023 VALVE-EXPANSION (M12, M13)		
NS	11062024 VALVE-EXPANSION (M14, M15)		
NS	11062025 VALVE-EXPANSION (M16)		