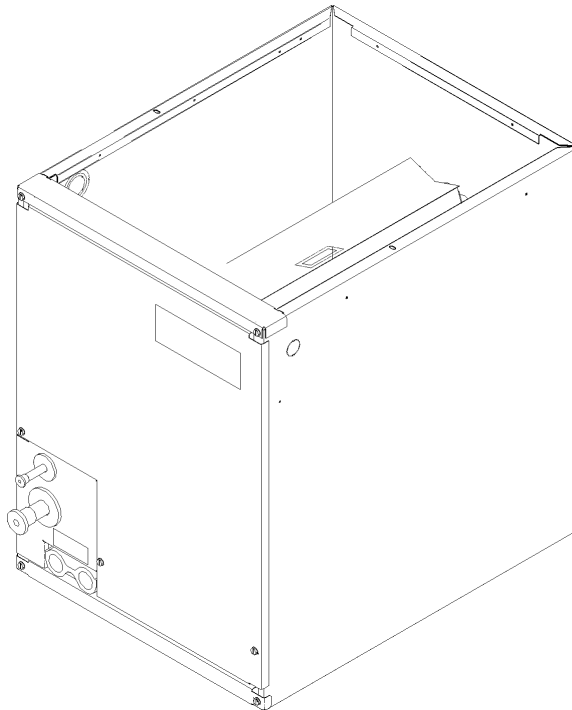


## CCA\*F\*C Coils for R22

CCA18FCC	P1258001C
CCA18FSC	P1258101C
CCA24FCC	P1258002C
CCA24FSC	P1258102C
CCA30FCC	P1258003C
CCA30FDC	P1258010C
CCA30FSC	P1258103C
CCA36FCC	P1258004C
CCA36FDC	P1258011C
CCA36FKC	P1258014C
CCA36FSC	P1258104C
CCA42FCC	P1258005C
CCA42FDC	P1258012C
CCA42FSC	P1258105C
CCA48FCC	P1258006C
CCA48FDC	P1258013C
CCA48FSC	P1258106C
CCA54FCC	P1258007C
CCA54FSC	P1258107C
CCA57FCC	P1258008C
CCA57FSC	P1258108C
CCA60FCC	P1258009C
CCA60FSC	P1258109C



# Important Information

---

## Index

Functional Parts List .....	3
Illustration and Parts .....	4 - 5

*Views shown are for parts illustrations only, not servicing procedures*

Updated evap assy part numbers.

### Text Codes:

AR - As Required

NA - Not Available

NS - Not Shown

00000000 - See Note

QTY - Quantity Example (QTY 3) (If Quantity not shown, Quantity = 1)

M - Model Example (M1) (If M Code not shown, then part is used on all Models)

### Expanded Model Nomenclature:

Example M1 - Model#1 M2 - Model#2 M3 - Model#3
---

Goodman Company, L.P. is not responsible for personal injury or property damage resulting from improper service. Review all service information before beginning repairs.

Warranty service must be performed by an authorized technician, using authorized factory parts. If service is required after the warranty expires, Goodman Company, L.P. also recommends contacting an authorized technician and using authorized factory parts.

Goodman Company, L.P. reserves the right to discontinue, or change at any time, specifications or designs without notice or without incurring obligations.

For assistance within the U.S.A. contact:

Consumer Affairs Department  
Goodman Company, L.P.  
7401 Security Way  
Houston, Texas 77040  
877-254-4729-Telephone  
713-863-2382-Facsimile

For assistance outside the U.S.A. contact:

International Division  
Goodman Company, L.P.  
7401 Security Way  
Houston, Texas 77040  
713-861-2500-Telephone  
713-863-2382-Facsimile

# Functional Parts

**Part**

**No: Description:**

---

1272406	EVAP ASSY (M9, M23)
1272405	EVAP ASSY (M7, M8, M13, M21, M22)
1272404	EVAP ASSY (M6, M20)
1272402	EVAP ASSY (M5, M19)
1272401	EVAP ASSY (M3, M4, M17, M18)
1272400	EVAP ASSY (M1, M2, M15, M16)
1272403	EVAP ASSY (M10, M11, M12, M14)

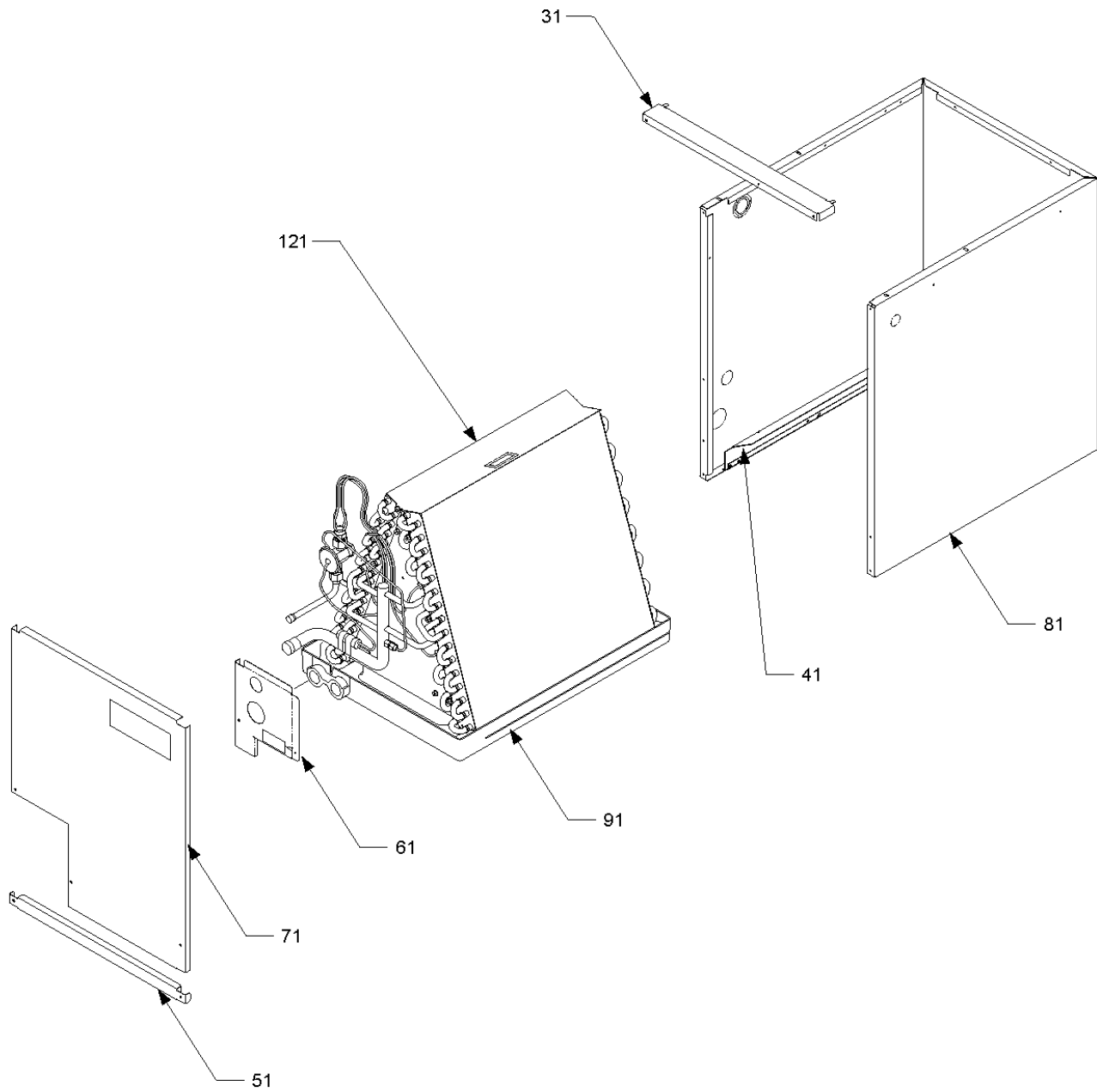
**SPECIAL PARTS**

10618422	INSTALLATION INSTRUCTIONS
11037302	INSTRUCTIONS-TXV KIT
RP6230009	REPAIR PARTS MANUAL

Expanded Model Nomenclature

M1 - CCA18FCC	P1258001C
M2 - CCA24FCC	P1258002C
M3 - CCA30FCC	P1258003C
M4 - CCA36FCC	P1258004C
M5 - CCA42FCC	P1258005C
M6 - CCA48FCC	P1258006C
M7 - CCA54FCC	P1258007C
M8 - CCA57FCC	P1258008C
M9 - CCA60FCC	P1258009C
M10 - CCA30FDC	P1258010C
M11 - CCA36FDC	P1258011C
M12 - CCA42FDC	P1258012C
M13 - CCA48FDC	P1258013C
M14 - CCA36FKC	P1258014C
M15 - CCA18FSC	P1258101C
M16 - CCA24FSC	P1258102C
M17 - CCA30FSC	P1258103C
M18 - CCA36FSC	P1258104C
M19 - CCA42FSC	P1258105C
M20 - CCA48FSC	P1258106C
M21 - CCA54FSC	P1258107C
M22 - CCA57FSC	P1258108C
M23 - CCA60FSC	P1258109C

# Cabinet Assembly



# Cabinet Assembly

Ref Part No:	Description:	Ref. Part No:	Description:
<i>Image 1:</i>		Expanded Model Nomenclature	
11	11068618SPT BLOWER CABINET (M3, M4)	M1 - CCA18FCC	P1258001C
11	11068620SPT BLOWER CABINET (M1, M2)	M2 - CCA24FCC	P1258002C
11	11068622SPT BLOWER CABINET (M5)	M3 - CCA30FCC	P1258003C
11	11068624SPT BLOWER CABINET (M6, M10, M11, M12)	M4 - CCA36FCC	P1258004C
11	11068626SPT BLOWER CABINET (M7, M8, M9, M13, M14)	M5 - CCA42FCC	P1258005C
31	11081804 CABINET TOP ASSY (M1, M2, M3, M4, M5)	M6 - CCA48FCC	P1258006C
31	11081805 CABINET TOP ASSY (M10, M11, M12)	M7 - CCA54FCC	P1258007C
31	11081806 CABINET TOP ASSY (M7, M8, M9, M13, M14)	M8 - CCA57FCC	P1258008C
31	11081822 CABINET TOP ASSY (M6)	M9 - CCA60FCC	P1258009C
41	11075802 SUPPORT RAIL-BLOWER (M1, M2, M3, M4, M5, M6, M7, M8, M9, M10, M11, M12, M13, M14)	M10 - CCA30FDC	P1258010C
51	11081304 FRONT PANEL ASSY (M1, M2, M3, M4, M5)	M11 - CCA36FDC	P1258011C
51	11081305 FRONT PANEL ASSY (M10, M11, M12)	M12 - CCA42FDC	P1258012C
51	11081306 FRONT PANEL ASSY (M7, M8, M9, M13, M14)	M13 - CCA48FDC	P1258013C
51	11081322 FRONT PANEL ASSY (M6)	M14 - CCA36FKC	P1258014C
61	11082003 PIPING DOOR ASSY (M1, M2, M3, M4, M5, M7, M8, M9, M10, M11, M12, M13, M14)	M15 - CCA18FSC	P1258101C
61	11082007 PIPING DOOR ASSY (M6)	M16 - CCA24FSC	P1258102C
71	11081401 CABINET DOOR ASSY (M1, M2)	M17 - CCA30FSC	P1258103C
71	11081402 CABINET DOOR ASSY (M3, M4)	M18 - CCA36FSC	P1258104C
71	11081403 CABINET DOOR ASSY (M5)	M19 - CCA42FSC	P1258105C
71	11081404 CABINET DOOR ASSY (M10, M11, M12)	M20 - CCA48FSC	P1258106C
71	11081405 CABINET DOOR ASSY (M7, M8, M9, M13, M14)	M21 - CCA54FSC	P1258107C
71	11081433 CABINET DOOR ASSY (M6)	M22 - CCA57FSC	P1258108C
81	11068619 BLOWER CABINET (M3, M4)	M23 - CCA60FSC	P1258109C
81	11068621 BLOWER CABINET (M1, M2)		
81	11068623 BLOWER CABINET (M5)		
81	11068625 BLOWER CABINET (M6, M10, M11, M12)		
81	11068627 BLOWER CABINET (M7, M8, M9, M13, M14)		
91	10616502 BASEPAN (M7, M8, M9, M13, M14, M21, M22, M23)		
91	10616603 BASEPAN (M1, M2, M3, M4, M5, M15, M16, M17, M18, M19)		
91	10616604 BASEPAN (M6, M10, M11, M12, M20)		
121	1272400 EVAP ASSY (M1, M2, M15, M16)		
121	1272401 EVAP ASSY (M3, M4, M17, M18)		
121	1272402 EVAP ASSY (M5, M19)		
121	1272403 EVAP ASSY (M10, M11, M12, M14)		
121	1272404 EVAP ASSY (M6, M20)		
121	1272405 EVAP ASSY (M7, M8, M13, M21, M22)		
121	1272406 EVAP ASSY (M9, M23)		
141	A4691704 GROMMET (M1, M2, M3, M4, M5, M6, M7, M8, M9, M10, M11, M12, M13, M14)		
151	A4691705 GROMMET (M1, M2, M3, M4, M5, M6, M7, M8, M9, M10, M11, M12, M13, M14)		