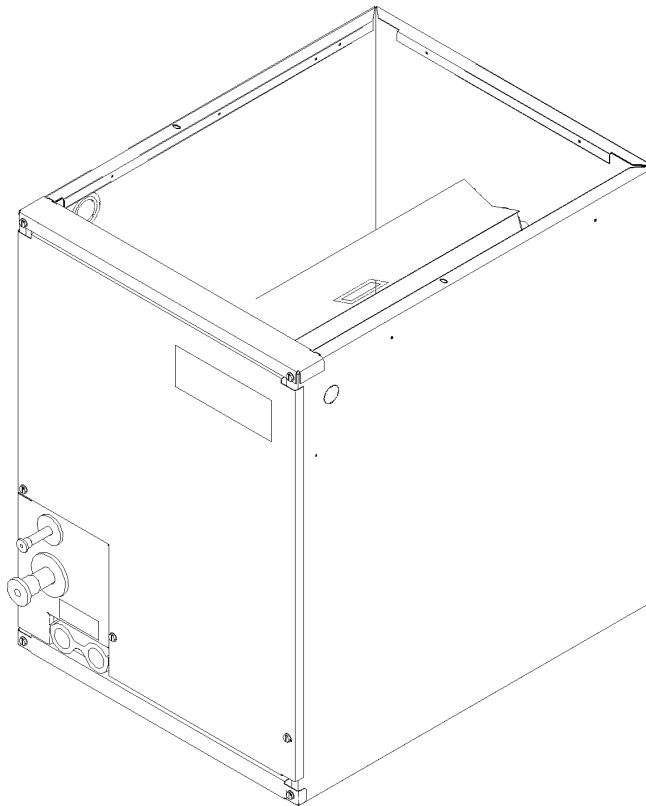


CHA*T*C Cased Coils for R410a Remote Units

CHA18TCC	P1257901C
CHA18TSC	P1258201C
CHA24TCC	P1257902C
CHA24TSC	P1258202C
CHA24TXC	P1257910C
CHA30TCC	P1257903C
CHA30TSC	P1258203C
CHA30TXC	P1257911C
CHA36TCC	P1257904C
CHA36TSC	P1258204C
CHA36TXC	P1257912C
CHA42TCC	P1257905C
CHA42TSC	P1258205C
CHA42TXC	P1257913C
CHA48TCC	P1257906C
CHA48TSC	P1258206C
CHA54TCC	P1257907C
CHA54TSC	P1258207C
CHA57TCC	P1257908C
CHA57TSC	P1258208C
CHA60TCC	P1257909C
CHA60TSC	P1258209C
CHA60TXC	P1257914C



RP6230010 Rev. 2
May 2007

Amana is a trademark of Maytag Corporation and used under license to Goodman Company, L.P. All rights reserved.

This manual is to be used by qualified technicians only.

www.amana-hac.com

This manual replaces RP6230010 Rev. 1
Copyright © 2004-2007 Goodman Company, L.P.

Important Information

Index

Functional Parts List	3
Illustration and Parts	4 - 5

Views shown are for parts illustrations only, not servicing procedures

Rev.1: Corrected evap coil part numbers.

Text Codes:

AR - As Required

NA - Not Available

NS - Not Shown

00000000 - See Note

QTY - Quantity Example (QTY 3) (If Quantity not shown, Quantity = 1)

M - Model Example (M1) (If M Code not shown, then part is used on all Models)

Expanded Model Nomenclature:

Example M1 - Model#1 M2 - Model#2 M3 - Model#3

Goodman Company, L.P. is not responsible for personal injury or property damage resulting from improper service. Review all service information before beginning repairs.

Warranty service must be performed by an authorized technician, using authorized factory parts. If service is required after the warranty expires, Goodman Company, L.P. also recommends contacting an authorized technician and using authorized factory parts.

Goodman Company, L.P. reserves the right to discontinue, or change at any time, specifications or designs without notice or without incurring obligations.

For assistance within the U.S.A. contact:

Consumer Affairs Department
Goodman Company, L.P.
7401 Security Way
Houston, Texas 77040
877-254-4729-Telephone
713-863-2382-Facsimile

For assistance outside the U.S.A. contact:

International Division
Goodman Company, L.P.
7401 Security Way
Houston, Texas 77040
713-861-2500-Telephone
713-863-2382-Facsimile

Functional Parts

Part

No: Description:

1272406	EVAP ASSY (M8, M9, M14, M22, M23)
1272405	EVAP ASSY (M6, M7, M20, M21)
1272404	EVAP ASSY (M5, M13, M19)
1272402	EVAP ASSY (M4, M12, M18)
1272401	EVAP ASSY (M2, M3, M10, M11, M16, M17)
1272400	EVAP ASSY (M1, M15)
11062024	EXPANSION VALVE (M19, M20, M21, M22, M23)
11062023	EXPANSION VALVE (M17, M18)
11062022	EXPANSION VALVE (M15, M16)
A4692801	VALVE CORE

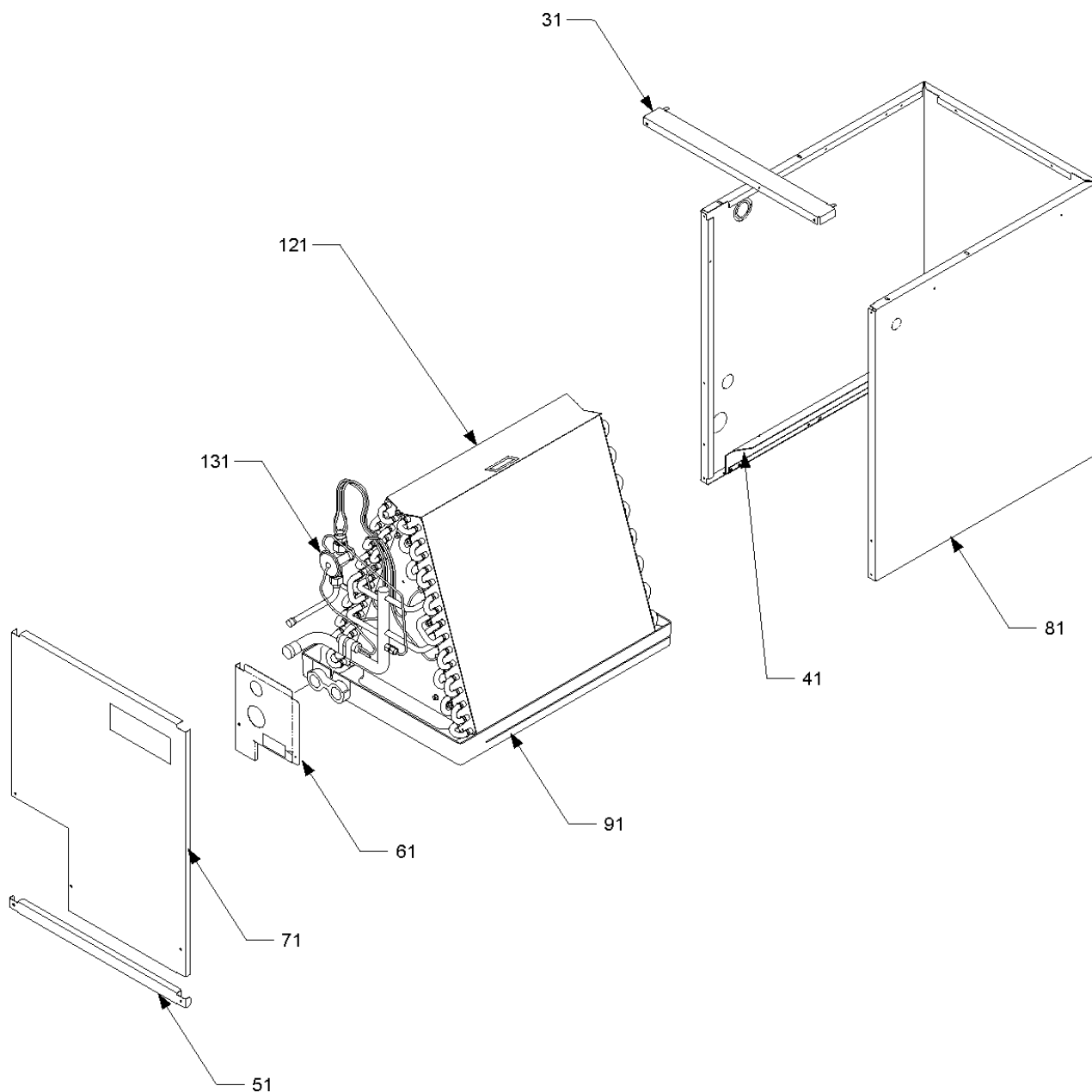
SPECIAL PARTS

10618422	INSTALLATION INSTRUCTIONS
RP6230010	REPAIR PARTS MANUAL

Expanded Model Nomenclature

M1 - CHA18TCC	P1257901C
M2 - CHA24TCC	P1257902C
M3 - CHA30TCC	P1257903C
M4 - CHA36TCC	P1257904C
M5 - CHA42TCC	P1257905C
M6 - CHA48TCC	P1257906C
M7 - CHA54TCC	P1257907C
M8 - CHA57TCC	P1257908C
M9 - CHA60TCC	P1257909C
M10 - CHA24TXC	P1257910C
M11 - CHA30TXC	P1257911C
M12 - CHA36TXC	P1257912C
M13 - CHA42TXC	P1257913C
M14 - CHA60TXC	P1257914C
M15 - CHA18TSC	P1258201C
M16 - CHA24TSC	P1258202C
M17 - CHA30TSC	P1258203C
M18 - CHA36TSC	P1258204C
M19 - CHA42TSC	P1258205C
M20 - CHA48TSC	P1258206C
M21 - CHA54TSC	P1258207C
M22 - CHA57TSC	P1258208C
M23 - CHA60TSC	P1258209C

Cabinet Assembly



Cabinet Assembly

Ref Part No:	Description:	Ref. Part No:	Description:
<i>Image 1:</i>		131 11062023	EXPANSION VALVE (M17, M18)
31 11081804	CABINET TOP ASSY (M1, M2, M3, M4)	131 11062024	EXPANSION VALVE (M19, M20, M21, M22, M23)
31 11081806	CABINET TOP ASSY (M6, M7, M8)	NS 10801106	DUCT FLANGE (M1, M2, M3, M4, M10, M11, M12)
31 11081810	CABINET TOP ASSY (M10, M11, M12)	NS 10801107	DUCT FLANGE (M1, M2, M3, M4, M5, M6, M7, M8, M9, M10, M11, M12, M13, M14)
31 11081811	CABINET TOP ASSY (M13)	NS A4692801	VALVE CORE
31 11081812	CABINET TOP ASSY (M14)	Expanded Model Nomenclature	
31 11081822	CABINET TOP ASSY (M5)	M1 - CHA18TCC	P1257901C
31 11081823	CABINET TOP ASSY (M9)	M2 - CHA24TCC	P1257902C
41 11075802	RAIL-SUPPORT BLOWER (M1, M2, M3, M4, M5, M6, M7, M8, M9, M10, M11, M12, M13, M14)	M3 - CHA30TCC	P1257903C
51 11081304	FRONT PANEL ASSY (M1, M2, M3, M4)	M4 - CHA36TCC	P1257904C
51 11081306	FRONT PANEL ASSY (M6, M7, M8)	M5 - CHA42TCC	P1257905C
51 11081310	FRONT PANEL ASSY (M10, M11, M12)	M6 - CHA48TCC	P1257906C
51 11081311	FRONT PANEL ASSY (M13)	M7 - CHA54TCC	P1257907C
51 11081312	FRONT PANEL ASSY (M14)	M8 - CHA57TCC	P1257908C
51 11081322	FRONT PANEL ASSY (M5)	M9 - CHA60TCC	P1257909C
51 11081323	FRONT PANEL ASSY (M9)	M10 - CHA24TXC	P1257910C
61 11082003	PIPING DOOR ASSY (M1, M2, M3, M4, M6, M7, M8)	M11 - CHA30TXC	P1257911C
61 11082004	PIPING DOOR ASSY (M10, M11, M12, M13, M14)	M12 - CHA36TXC	P1257912C
61 11082007	PIPING DOOR ASSY (M5, M9)	M13 - CHA42TXC	P1257913C
71 11081401	CABINET DOOR ASSY (M1)	M14 - CHA60TXC	P1257914C
71 11081402	CABINET DOOR ASSY (M2, M3)	M15 - CHA18TSC	P1258201C
71 11081403	CABINET DOOR ASSY (M4)	M16 - CHA24TSC	P1258202C
71 11081405	CABINET DOOR ASSY (M6, M7, M8)	M17 - CHA30TSC	P1258203C
71 11081417	CABINET DOOR ASSY (M10, M11)	M18 - CHA36TSC	P1258204C
71 11081418	CABINET DOOR ASSY (M12)	M19 - CHA42TSC	P1258205C
71 11081419	CABINET DOOR ASSY (M13)	M20 - CHA48TSC	P1258206C
71 11081420	CABINET DOOR ASSY (M14)	M21 - CHA54TSC	P1258207C
71 11081433	CABINET DOOR ASSY (M5)	M22 - CHA57TSC	P1258208C
71 11081434	CABINET DOOR ASSY (M9)	M23 - CHA60TSC	P1258209C
81 11068619	BLOWER CABINET (M2, M3, M10, M11)		
81 11068621	BLOWER CABINET (M1)		
81 11068623	BLOWER CABINET (M4, M12)		
81 11068625	BLOWER CABINET (M5, M13)		
81 11068627	BLOWER CABINET (M6, M7, M8, M9, M14)		
91 10616502	DRAIN PAN (M6, M7, M8, M9, M14, M20, M21, M22, M23)		
91 10616603	DRAIN PAN (M1, M2, M3, M4, M10, M11, M12, M15, M16, M17, M18)		
91 10616604	DRAIN PAN (M5, M13, M19)		
121 1272400	EVAP ASSY (M1, M15)		
121 1272401	EVAP ASSY (M2, M3, M10, M11, M16, M17)		
121 1272402	EVAP ASSY (M4, M12, M18)		
121 1272404	EVAP ASSY (M5, M13, M19)		
121 1272405	EVAP ASSY (M6, M7, M20, M21)		
121 1272406	EVAP ASSY (M8, M9, M14, M22, M23)		
131 11062022	EXPANSION VALVE (M15, M16)		