

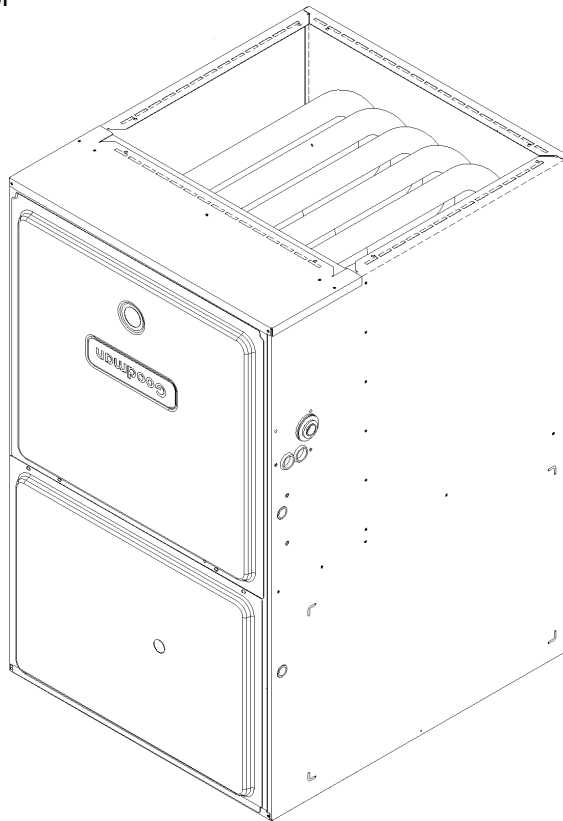


REPAIR PARTS

GCV90*XA **Downflow/Horizontal** **Two-Stage/Variable Speed** **90% AFUE Gas Furnace**

GCV90704CXA P1257803F

GCV90905DXA P1257805F



Goodman Manufacturing Company, L.P.
2550 North Loop West, Suite 400
Houston Texas 77092

www.goodmanmfg.com

RP-256A
February 2007

Important Information

Index

Functional Parts List	3
Illustration and Parts	4 - 11

Views shown are for parts illustrations only, not servicing procedures

Rev. A: Corrected callouts and added end bell information.

Text Codes:

AR - As Required

NA - Not Available

NS - Not Shown

00000000 - See Note

QTY - Quantity Example (QTY 3) (If Quantity not shown, Quantity = 1)

M - Model Example (M1) (If M Code not shown, then part is used on all Models)

Expanded Model Nomenclature:

Example

M1 - Model#1

M2 - Model#2

M3 - Model#3

Goodman Manufacturing Company, L.P. is not responsible for personal injury or property damage resulting from improper service. Review all service information before beginning repairs.

Warranty service must be performed by an authorized technician, using authorized factory parts. If service is required after the warranty expires, Goodman Manufacturing Company, L.P. also recommends contacting an authorized technician and using authorized factory parts.

Goodman Manufacturing Company, L.P. reserves the right to discontinue, or change at any time, specifications or designs without notice or without incurring obligations.

For assistance within the U.S.A. contact:

Consumer Affairs Department

Goodman Manufacturing Company, L.P.

7401 Security Way

Houston, Texas 77040

877-254-4729-Telephone

713-863-2382-Facsimile

For assistance outside the U.S.A. contact:

International Division

Goodman Manufacturing Company, L.P.

7401 Security Way

Houston, Texas 77040

713-861-2500-Telephone

713-863-2382-Facsimile

Functional Parts

Part No:	Description:
10735102S	BECKETT BURNER (QTY 3)
B1809927S	BOARD, HSI, 2-STAGE MINI
20510126	ENDBELL (M1)
20511019	ENDBELL (M2)
0130F00010	FLAME SENSOR
0151F00000P	GAS VALVE
0257F00157S	HEAT EXCHANGER ASSY 3B (M1)
0257F00154S	HEAT EXCHANGER ASSY 4B (M2)
20245903S	ID BLOWER
20165703S	IGNITOR
20218901	INDUCTOR COIL
B1370818	INTERLOCK SWITCH
20162903	LIMIT (M1)
20162908	LIMIT (M2)
20196402	MANIFOLD (M1)
20196403	MANIFOLD (M2)
0231K00038A	MOTOR-1 HP PROGRAMMED (M2)
0231K00025A	MOTOR-3/4 HP PROGRAMMED (M1)
10716003	ORIFICE (QTY 3)
20197313	PRESSURE SWITCH
11177118	PRESSURE SWITCH
10123536	RESET LIMIT (M2)
10123534	RESET LIMIT-MANUAL (M1)
10123517	RESET LIMIT-MANUAL (M2)
10123534	RESET LIMIT-MANUAL (M1)
B1141605	TRANSFORMER, 120V TO 24V, 40V
11118705	WIRING HARNESS
20275905	WIRING HARNESS
20276015	WIRING HARNESS

SPECIAL PARTS

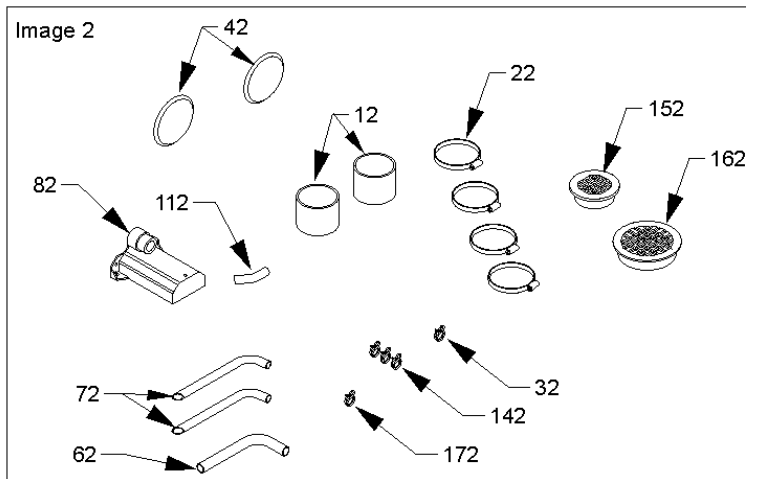
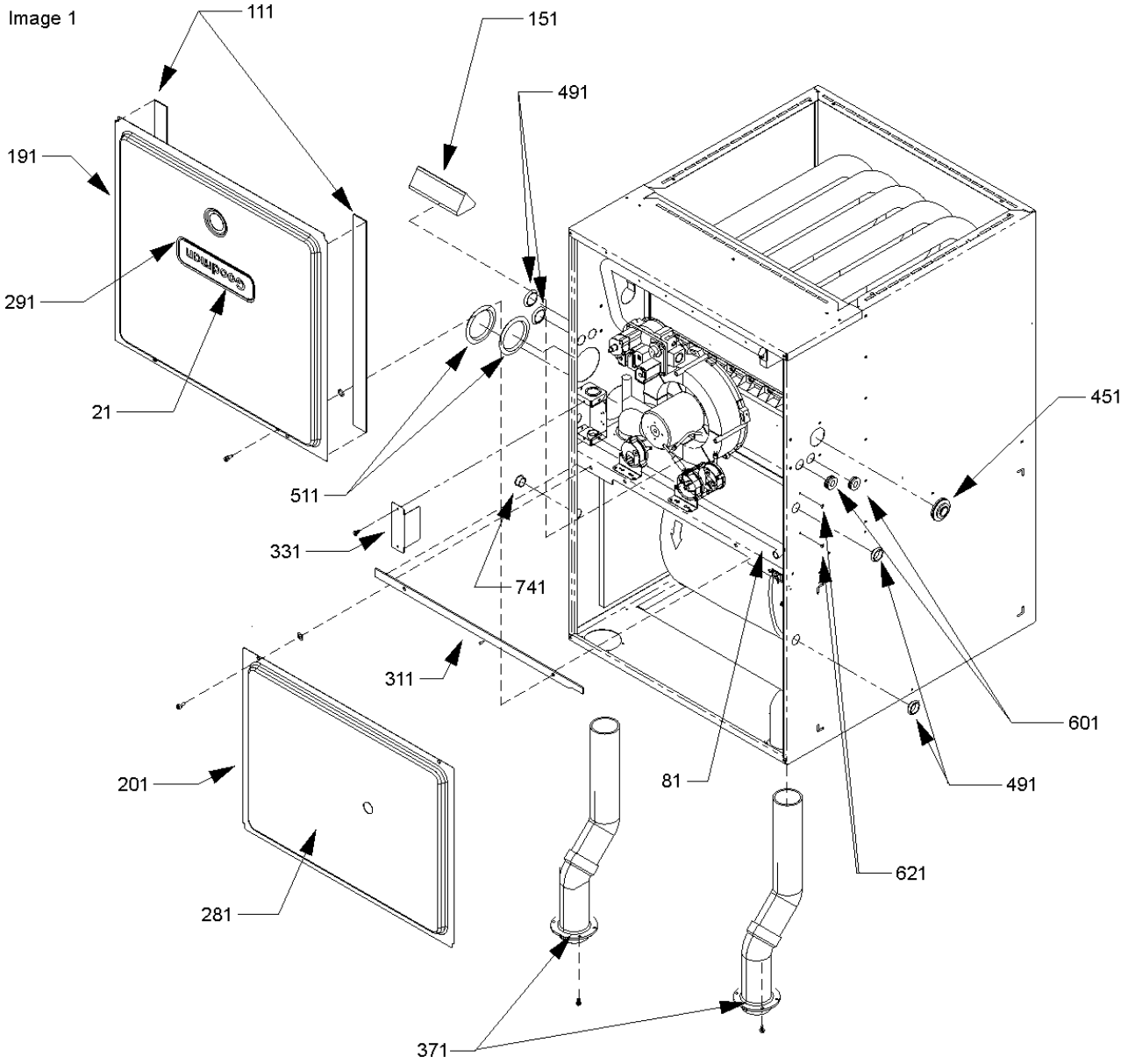
HI-115A	HOMEOWNERS INSTRUCTIONS
IO-280E	INSTALLATION INSTRUCTIONS (M2)
IO-243F	INSTALLATION INSTRUCTIONS (M1)
IO-661	INSTALLATION INSTRUCTIONS- MASSACHUSETTS
0161F00000P	NAMEPLATE
0142F00001	PM-GTAXCRDT50-1 GREEN (M2)
RP-256A	REPAIR PARTS MANUAL
10195518Q	STANDPIPE BAG ASSY

Expanded Model Nomenclature

M1 - P1257803F

M2 - P1257805F

Cabinet



Cabinet

Ref. Part No: No:	Description:	Ref. Part No: No:	Description:
-------------------	--------------	-------------------	--------------

Image 1:

21	0161F00000P	NAMEPLATE
81	20201902	DRAIN HOSE
111	20179308	GASKET (QTY 2)
151	10195518Q	STANDPIPE BAG ASSY
191	20523904	ACCESS DOOR (M1)
191	20523906	ACCESS DOOR (M2)
201	20524004	BLOWER DOOR (M1)
201	20524006	BLOWER DOOR (M2)
281	11104001	VIEW PORT BUSHING-BLOWER DOOR (M1)
281	B1392139	VIEW PORT BUSHING-BLOWER DOOR (M2)
291	11104002	VIEW PORT BUSHING-ACCESS DOOR
311	22320002	DECK GASKET (M1)
311	22320003	DECK GASKET (M2)
331	10736201	COVER-HIGH VOLTAGE BOX
371	22309502	FLUE PIPE (QTY 2)
451	M0501301	PIPE GROMMET
491	M0570808	BUTTON PLUG (QTY 4)
511	M0570807	BUTTON PLUG (QTY 2)
601	A4691701	GROMMET (QTY 2)
621	M0310345	BUTTON PLUG (QTY 2)
741	B1392104	UNIVERSAL BUSHING UB 875 (QTY 2)

Image 2:

12	10254303	RUBBER COUPLING (QTY 2)
22	A3326002	HOSE CLAMP (QTY 4)
32	M0119207	HOSE CLAMP
42	M0570807	BUTTON PLUG (QTY 2)
62	20201901	DRAIN HOSE
72	20201802	DRAIN TUBE (QTY 2)
82	20171701	DRAIN TRAP
112	20214203	DRAIN ANGLE
142	M0119205	HOSE CLAMP (QTY 3)
152	B2810816	2" MESH INSERT
162	B2810814	3" MESH INSERT
172	M0119206	HOSE CLAMP

Expanded Model Nomenclature

M1 - P1257803F
M2 - P1257805F

Blower Assembly

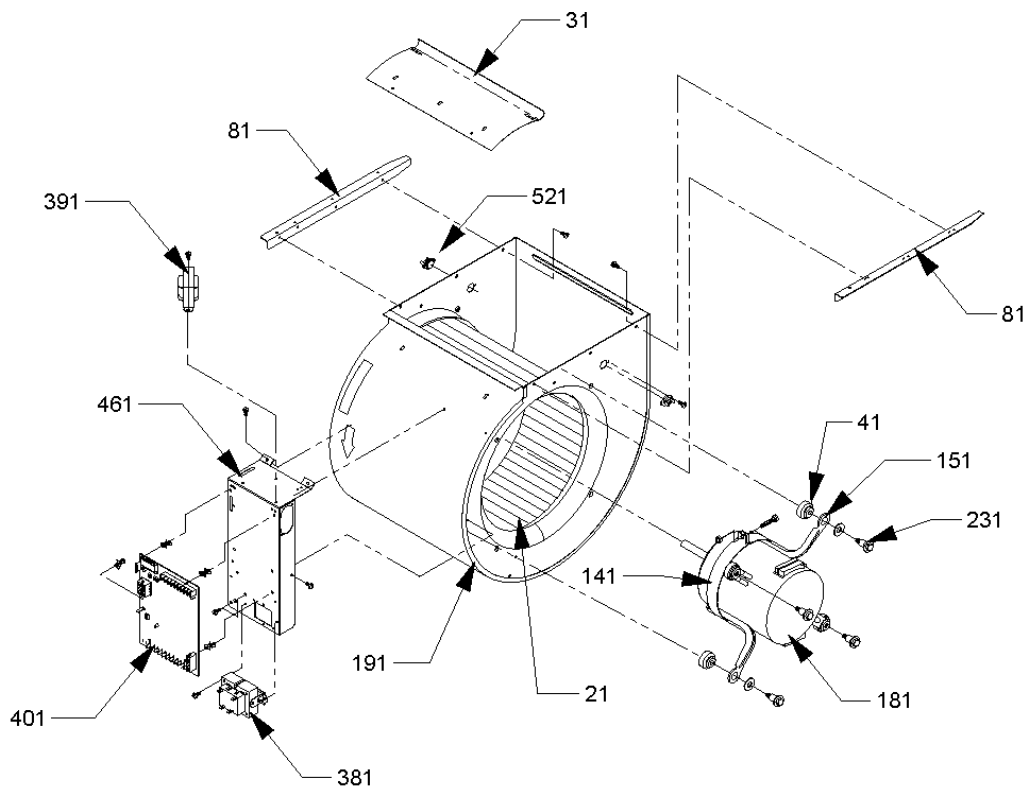
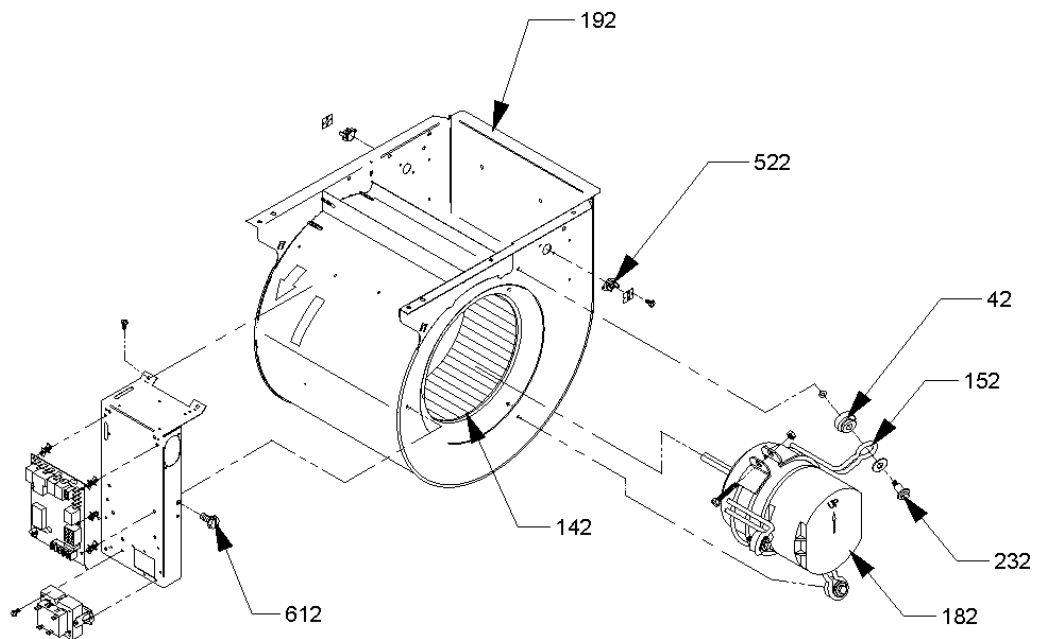


Image 1

Image 2



Blower Assembly

Ref. Part No: No:	Description:	Ref. Part No: No:	Description:
-------------------	--------------	-------------------	--------------

Image 1:

21	D6723311S	BLOWER WHEEL (M2)
21	B1368047A	BLOWER WHEEL 10 X 10 (M1)
31	C6121807	CUTOFF
41	A4002701	GROMMET (M2)
81	20175101	RAIL-BLOWER SIDE (QTY 2)
141	10441601	MOTOR MOUNT-BAND (M2)
151	10441501	MOTOR MOUNT-ARM (M2)
181	0231K00038A	MOTOR-1 HP PROGRAMMED (M2)
191	0271F00047	BLOWER HOUSING ASSY 11 X 10 (M2)
231	M0221461	TC SCREW (M2)
381	B1141605	TRANSFORMER, 120V TO 24V, 40V
391	20218901	INDUCTOR COIL
401	B1809927S	BOARD, HSI, 2-STAGE MINI
461	0121F00025P	CONTROL BRACKET
521	10123536	RESET LIMIT (M2)
NS	20510126	ENDBELL (M1)
NS	20511019	ENDBELL (M2)
NS	11118705	WIRING HARNESS
NS	20275905	WIRING HARNESS
NS	20276015	WIRING HARNESS

Image 2:

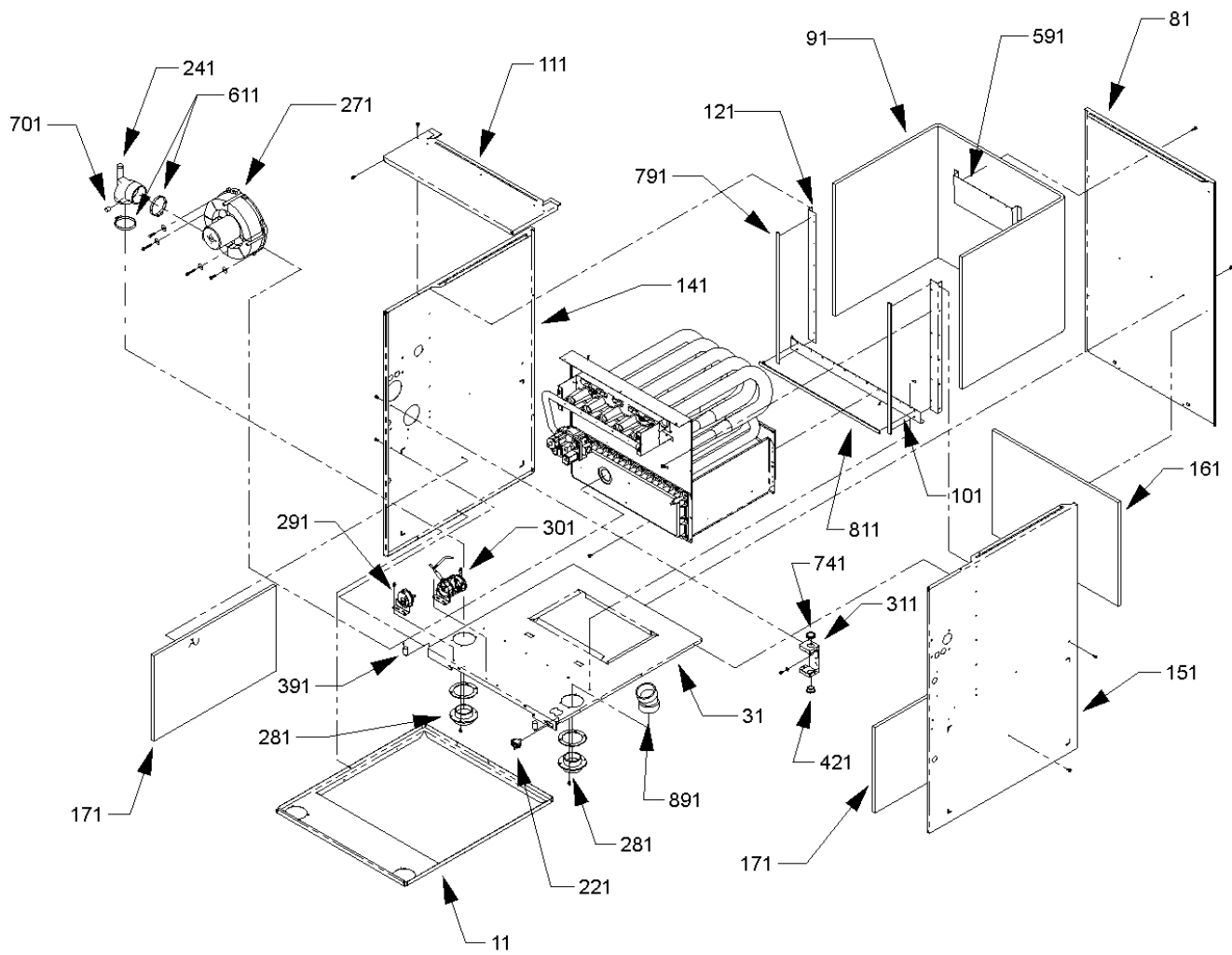
42	A4002702	GROMMET (M1)
152	C9443702	MOTOR MOUNT-BRACKET (M1)
182	0231K00025A	MOTOR-3/4 HP PROGRAMMED (M1)
192	11185818	BLOWER HOUSING ASSY (M1)
232	M0221461	TC SCREW (M1)
522	10123534	RESET LIMIT-MANUAL (M1)
612	M0253516	TR SCREW (QTY 6)

Expanded Model Nomenclature

M1 - P1257803F

M2 - P1257805F

Chassis



Chassis

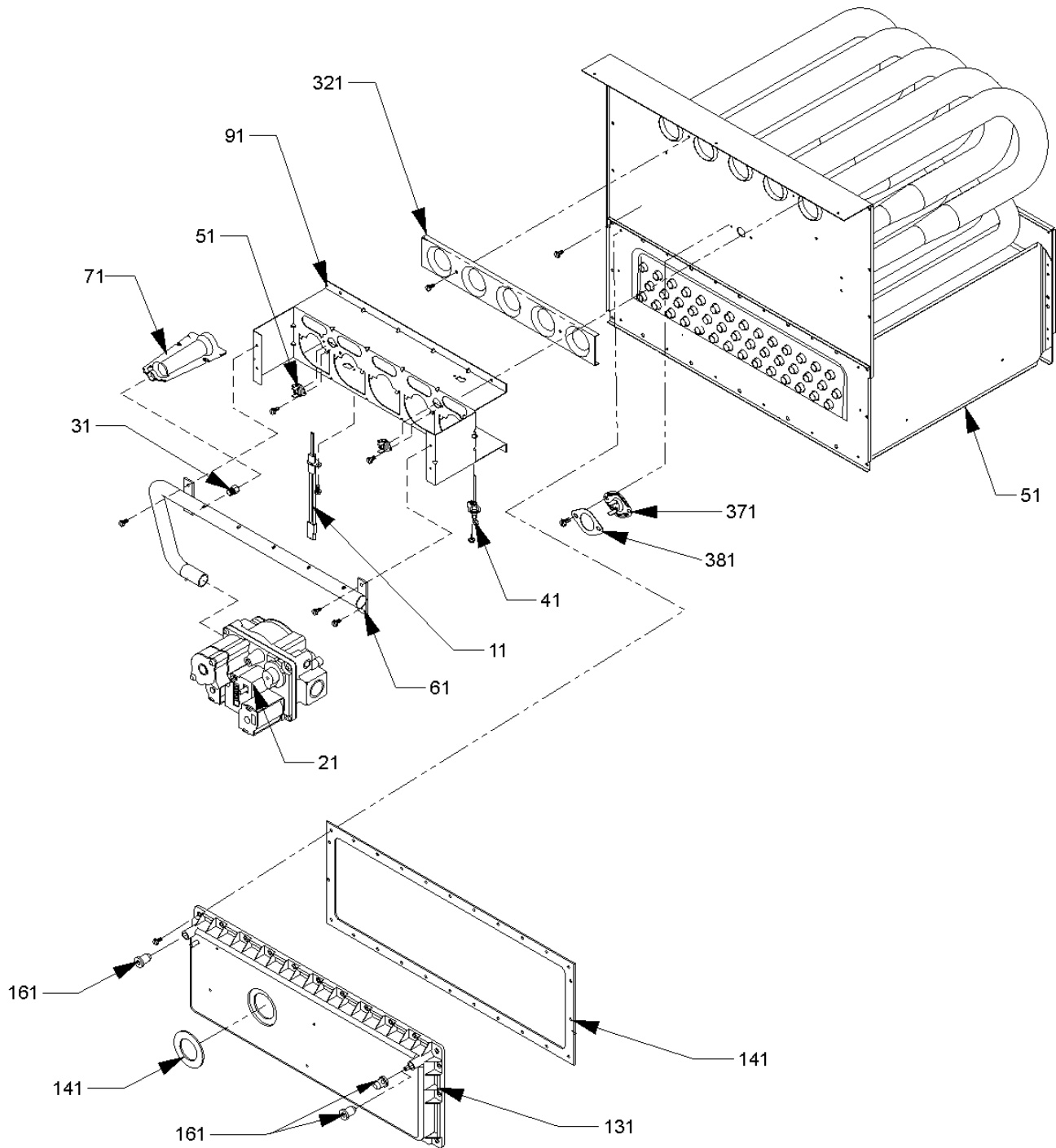
Ref. Part No:	No:	Description:	Ref. Part No:	No:	Description:
<i>Image 1:</i>					
11	20273510	BASEPAN (M1)			
11	20273512	BASEPAN (M2)			
31	0121F00049	BLOWER DECK (M2)			
31	20190234	BLOWER DECK (M1)			
81	20273216	BACK PANEL (M1)			
81	20273218	BACK PANEL (M2)			
91	C6415909	INSULATION-HEAT EXCHANGER (M2)			
91	C6415911	INSULATION-HEAT EXCHANGER (M1)			
101	20191303	DECK RAIL (M2)			
101	20191305	DECK RAIL (M1)			
111	0270F00104P	ASSY-TOP COVER (M1)			
111	0270F00105P	ASSY-TOP COVER (M2)			
121	20191603	SIDE RAIL (M1)			
121	20191604	SIDE RAIL (M2)			
141	0121F00036PDG	PANEL-SIDE LH			
151	0121F00034PDG	PANEL-SIDE RH			
161	20006602	INSULATION (M1)			
161	20006603	INSULATION (M2)			
171	20006604	SIDE INSULATION (QTY 2)			
221	B1370818	INTERLOCK SWITCH			
241	20171802	ELBOW			
271	20245903S	ID BLOWER			
281	20049701	FA COUPLING (QTY 2)			
291	20197313	PRESSURE SWITCH			
301	11177118	PRESSURE SWITCH			
311	10736102	BOX-HIGH VOLTAGE			
391	M0275521	PLASTIC SEALER			
421	A4554801	SNAP BUSHING			
591	11165107	SHIELD-ID BLOWER			
611	A3326002	HOSE CLAMP (QTY 2)			
701	M0326804	TUBE PLUG			
741	B1392104	UNIVERSAL BUSHING UB 875 (QTY 2)			
791	20194608	GASKET (QTY 2)			
811	20194606	GASKET (M1)			
811	20194607	GASKET (M2)			
891	C6455901	ELBOW-22 1/2 ELL			
NS	0164M00002	HOSE-PRESSURE SWITCH (QTY 2)			
NS	0164M00003	HOSE-PRESSURE SWITCH			
NS	0164M00011	HOSE-PRESSURE SWITCH (M1)			
NS	0164M00013	HOSE-PRESSURE SWITCH (M2)			

Expanded Model Nomenclature

M1 - P1257803F

M2 - P1257805F

Heat Exchanger / Manifold / Gas Valve



Heat Exchanger / Manifold / Gas Valve

Ref. Part No:	No:	Description:	Ref. Part No:	No:	Description:
<i>Image 1:</i>					
11	20165703S	IGNITOR			
21	0151F00000P	GAS VALVE			
31	10716003	ORIFICE (QTY 3)			
41	0130F00010	FLAME SENSOR			
51	0257F00157S	HEAT EXCHANGER ASSY 3B (M1)			
51	0257F00154S	HEAT EXCHANGER ASSY 4B (M2)			
61	20196402	MANIFOLD (M1)			
61	20196403	MANIFOLD (M2)			
71	10735102S	BECKETT BURNER (QTY 3)			
91	20190411	BURNER BRACKET 3B (M1)			
91	20190412	BURNER BRACKET 4B (M2)			
131	20170901AS	FRONT COVER (M1)			
131	20171001AS	FRONT COVER (M2)			
141	0154F00001P	GASKET (M1)			
141	0154F00002P	GASKET (M2)			
141	20179307	GASKET (M2)			
141	20179310	GASKET (M1)			
151	10123517	RESET LIMIT-MANUAL (M2)			
151	10123534	RESET LIMIT-MANUAL (M1)			
161	M0326804	TUBE PLUG (QTY 3)			
321	11072202	ORIFICE SHIELD (M1)			
321	11072203	ORIFICE SHIELD (M2)			
371	20162903	LIMIT (M1)			
371	20162908	LIMIT (M2)			
381	10236702	WINDOW FRAME			

Expanded Model Nomenclature

M1 - P1257803F

M2 - P1257805F