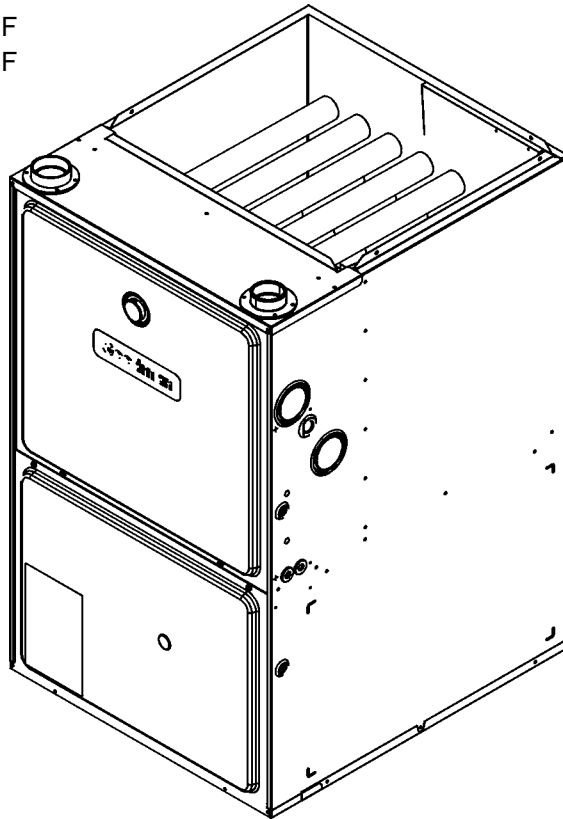




REPAIR PARTS

GMV9*XA Upflow/Horizontal/Single Stage Multi-Speed 90% AFUE Gas

GMV90703BXA P1257607F
GMV90703BXA P1257610F
GMV90704CXA P1257603F
GMV90905CXA P1257609F
GMV90905CXA P1257611F
GMV90905DXA P1257605F
GMV91155DXA P1257606F



Made in the USA by:
Goodman Manufacturing Company, L.P.
2550 North Loop West, Suite 400
Houston Texas 77092

www.goodmanmfg.com

RP-369B
March 2006

Important Information

Index

Functional Parts List	3
Illustration and Parts	4 - 13

Views shown are for parts illustrations only, not servicing procedures

Version B: corrected "model to part" tie ins.

Text Codes:

AR - As Required

NA - Not Available

NS - Not Shown

00000000 - See Note

QTY - Quantity Example (QTY 3) (If Quantity not shown, Quantity = 1)

M - Model Example (M1) (If M Code not shown, then part is used on all Models)

Expanded Model Nomenclature:

Example
M1 - Model#1
M2 - Model#2
M3 - Model#3

Goodman Manufacturing Company, L.P. is not responsible for personal injury or property damage resulting from improper service. Review all service information before beginning repairs.

Warranty service must be performed by an authorized technician, using authorized factory parts. If service is required after the warranty expires, Goodman Manufacturing Company, L.P. also recommends contacting an authorized technician and using authorized factory parts.

Goodman Manufacturing Company, L.P. reserves the right to discontinue, or change at any time, specifications or designs without notice or without incurring obligations. Goodman® brand products are proudly made in the USA.

For assistance within the U.S.A. contact:

Consumer Affairs Department

Goodman Manufacturing Company, L.P.

7401 Security Way

Houston, Texas 77040

877-254-4729-Telephone

713-863-2382-Facsimile

For assistance outside the U.S.A. contact:

International Division

Goodman Manufacturing Company, L.P.

7401 Security Way

Houston, Texas 77040

713-861-2500-Telephone

713-863-2382-Facsimile

Functional Parts

Part No:

Description:

20510317	ASSY, ECM MOTOR/END BELL (M2)
20508514	ASSY, ECM MOTOR/END BELL (M4, M6)
20509427	ASSY, ECM MOTOR/END BELL (M5, M7)
20509425	ASSY, ECM MOTOR/END BELL (M1)
20510318	ASSY, ECM MOTOR/END BELL (M3)
20494532	ASSY, HEAT EXCHANGER 3B (M1)
20494531	ASSY, HEAT EXCHANGER 3B (M4)
20494533	ASSY, HEAT EXCHANGER 4B (M5)
20494534	ASSY, HEAT EXCHANGER 4B (M2)
10735102	BECKETT BURNER (QTY AR)
20245903	BLOWER, ID
B1809927S	BOARD, HSI, 2-STAGE MINI
20218901	COIL, INDUCTOR (M1, M2, M3, M5, M7)
20511017	END BELL, SERVICE REPLACEMENT (M2)
20510127	END BELL, SERVICE REPLACEMENT (M5, M7)
20511018	END BELL, SERVICE REPLACEMENT (M3)
20510125	END BELL, SERVICE REPLACEMENT (M1)
20509214	END BELL, SERVICE REPLACEMENT (M4, M6)
20276015	HARNESS, WIRING 12-PIN
11118705	HARNESS, WIRING 16-PIN
20275905	HARNESS, WIRING 9-PIN TO 5-PIN POWER
20165703	IGNITOR
20162905	LIMIT, OPENS 145° CLOSE 105° (M1, M2)
20162904	LIMIT, OPENS 150° CLOSE 110° (M4, M5, M6, M7)
20162903	LIMIT, OPENS 160° CLOSE 120° (M3)
10123537	LIMIT, RESET MANUAL (M1, M4, M6)
10123536	LIMIT, RESET MANUAL (M2, M5, M7)
10123517	LIMIT, RESET MANUAL (M1, M4, M6)
10123533	LIMIT, RESET MANUAL (M3)
10123537	LIMIT, RESET MANUAL (M2, M5, M7)
10123533	LIMIT, RESET MANUAL (M3)
20196402	MANIFOLD, 3B (M1, M4, M6)
20196403	MANIFOLD, 4B (M2, M5, M7)
20196404	MANIFOLD, 5B (M3)
10716003	ORIFICE #43 (QTY 3)
20488501	SENSOR, FLAME
10690402	SWITCH, INTERLOCK
11177117	SWITCH, PRESSURE SET .20 WC (M4, M5, M6, M7)
11177113	SWITCH, PRESSURE SET .30 WC (M1)
11177114	SWITCH, PRESSURE SET .50 WC (M2, M3)
B1141605	TRANSFORMER 120 V
0151F00000P	VALVE, GAS

IO-271	INSTALLATION INSTRUCTIONS
IO-243E	INSTALLATION INSTRUCTIONS
0161F00000P	NAMEPLATE, GOODMAN

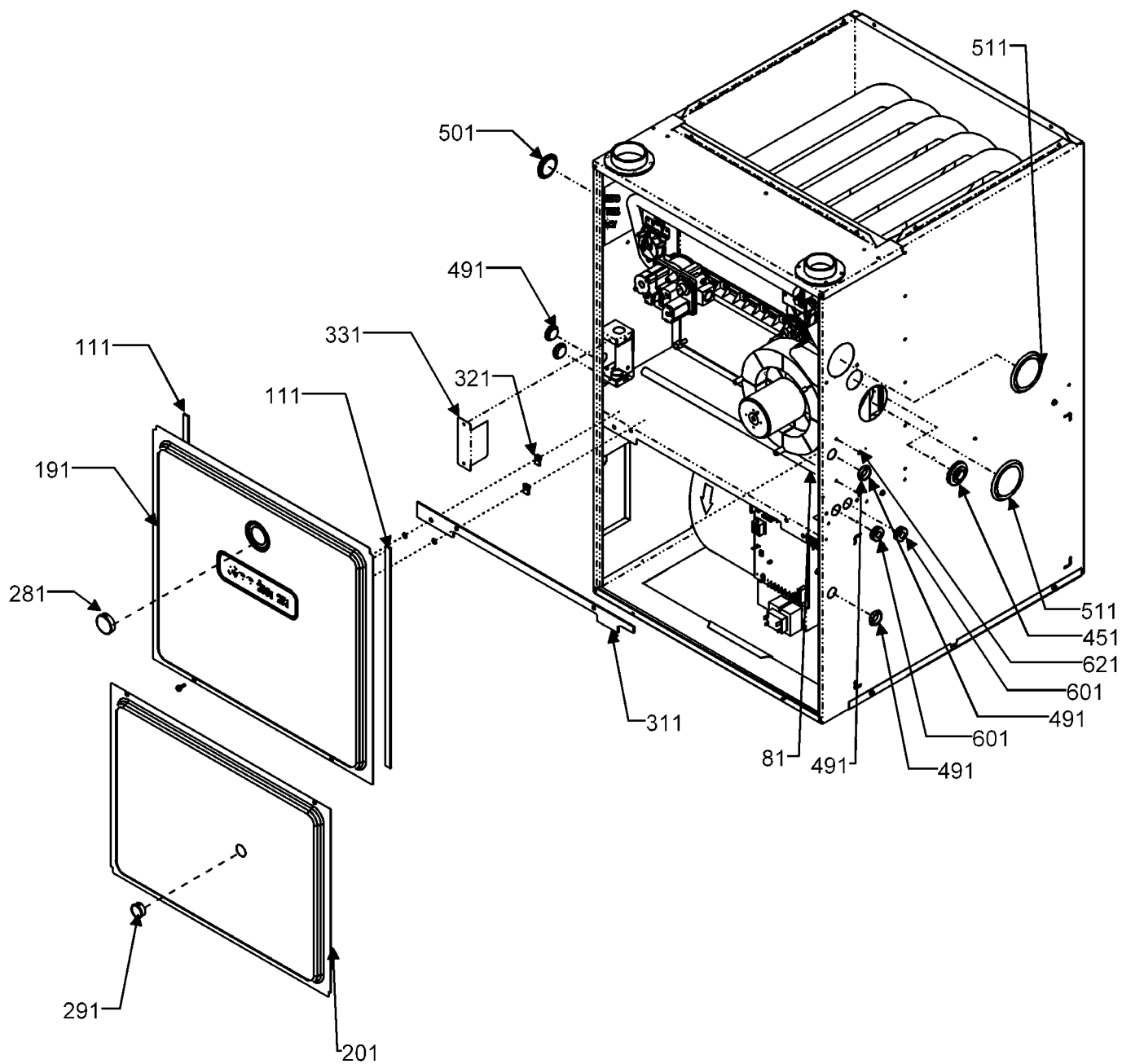
Expanded Model Nomenclature

M1 - GMV90704CXA	P1257603F
M2 - GMV90905DXA	P1257605F
M3 - GMV91155DXA	P1257606F
M4 - GMV90703BXA	P1257607F
M5 - GMV90905CXA	P1257609F
M6 - GMV90703BXA	P1257610F
M7 - GMV90905CXA	P1257611F

SPECIAL PARTS

HI-117	HOMEOWNER INSTRUCTION FR HI115
HI-115	HOMEOWNER INSTRUCTIONS
IO-252D	INSTALLATION INSTRUCTIONS

Cabinet



Cabinet

Ref. Part No:	No:	Description:	Ref. Part No:	No:	Description:
---------------	-----	--------------	---------------	-----	--------------

Image 1:

81	20201902	HOSE, DRAIN
111	20179308	GASKET (QTY 2)
191	20523902	DOOR, ACCESS (M4, M6)
191	20523904	DOOR, ACCESS (M1, M5, M7)
191	20523906	DOOR, ACCESS (M2, M3)
201	20524002	DOOR, BLOWER (M4, M6)
201	20524004	DOOR, BLOWER (M1, M5, M7)
201	20524006	DOOR, BLOWER (M2, M3)
281	B1392139	VIEW PORT BUSHING, ACCESS DOOR
291	11104002	VIEW PORT BUSHING, BLOWER DOOR
311	22320001	GASKET, DECK (M4, M6)
311	22320002	GASKET, DECK (M1, M5, M7)
311	22320003	GASKET, DECK (M2, M3)
321	91000301	NUT, U-SPEED (QTY 4)
331	10736201	COVER, HIGH VOLTAGE BOX
451	M0501301	GROMMET, PIPE
491	M0570808	PLUG, BUTTON (QTY 4)
501	M0570806	PLUG, BUTTON
511	M0570807	PLUG, BUTTON (QTY 2)
601	A4691701	GROMMET (QTY 2)

Expanded Model Nomenclature

M1 - GMV90704CXA	P1257603F
M2 - GMV90905DXA	P1257605F
M3 - GMV91155DXA	P1257606F
M4 - GMV90703BXA	P1257607F
M5 - GMV90905CXA	P1257609F
M6 - GMV90703BXA	P1257610F
M7 - GMV90905CXA	P1257611F

Blower Assembly

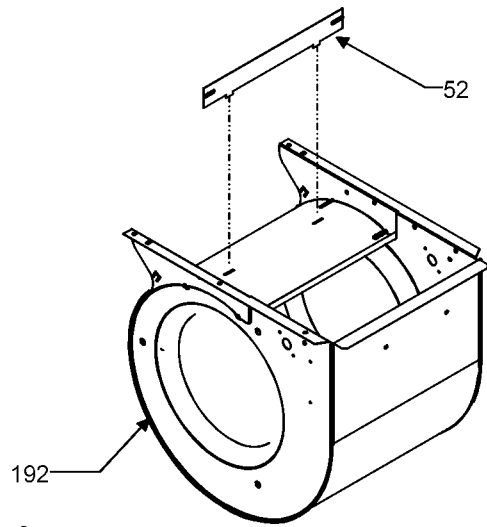


Image 2

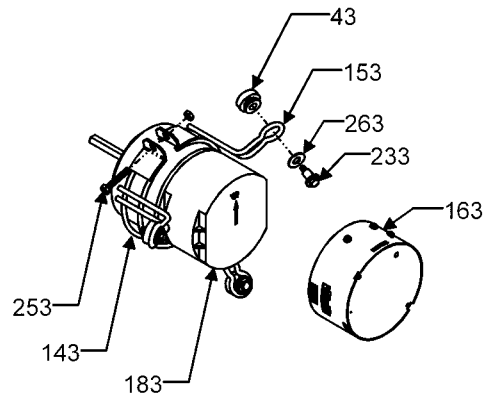


Image 3

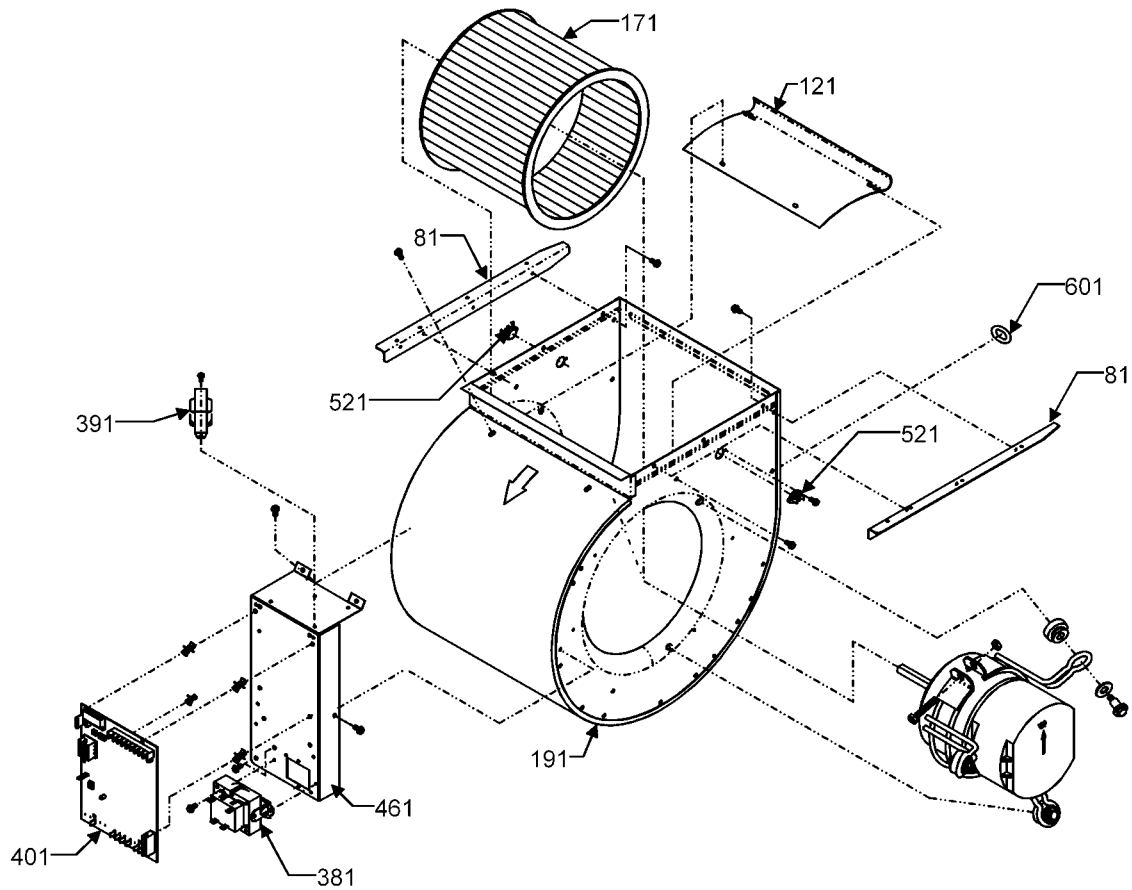


Image 1

Blower Assembly

**Ref. Part
No: No:**

Description:

**Ref. Part
No: No:**

Description:

Image 1:

51	20191201	BRACKET, COIL (QTY 2)
81	20175101	RAIL, BLOWER SIDE (M1, M2, M3, M4, M5)
121	C6121807	CUT-OFF (M1, M2, M3, M5)
121	C6121810	CUT-OFF (M4)
171	D6723310	WHEEL, BLOWER (M4, M6)
171	D6723311	WHEEL, BLOWER (M2, M3)
171	B1368047	WHEEL, BLOWER 10 X 10 (M1, M5, M7)
191	11185811	HOUSING WELD, BLOWER (M2, M3)
191	11185818	HOUSING WELD, BLOWER (M1, M5)
191	11185820	HOUSING WELD, BLOWER (M4)
381	B1141605	TRANSFORMER 120 V
391	20218901	COIL, INDUCTOR (M1, M2, M3, M5, M7)
401	B1809927S	BOARD, HSI, 2-STAGE MINI
461	0121F00025P	BRACKET, CONTROL
521	10123533	LIMIT, RESET MANUAL (M3)
521	10123536	LIMIT, RESET MANUAL (M2, M5, M7)
521	10123537	LIMIT, RESET MANUAL (M1, M4, M6)
601	A4691701	GROMMET (QTY 2)
NS	2509503F	BRACKET FOR ROLLOUT SWITCH (M6, M7)

Expanded Model Nomenclature

M1 - GMV90704CXA	P1257603F
M2 - GMV90905DXA	P1257605F
M3 - GMV91155DXA	P1257606F
M4 - GMV90703BXA	P1257607F
M5 - GMV90905CXA	P1257609F
M6 - GMV90703BXA	P1257610F
M7 - GMV90905CXA	P1257611F

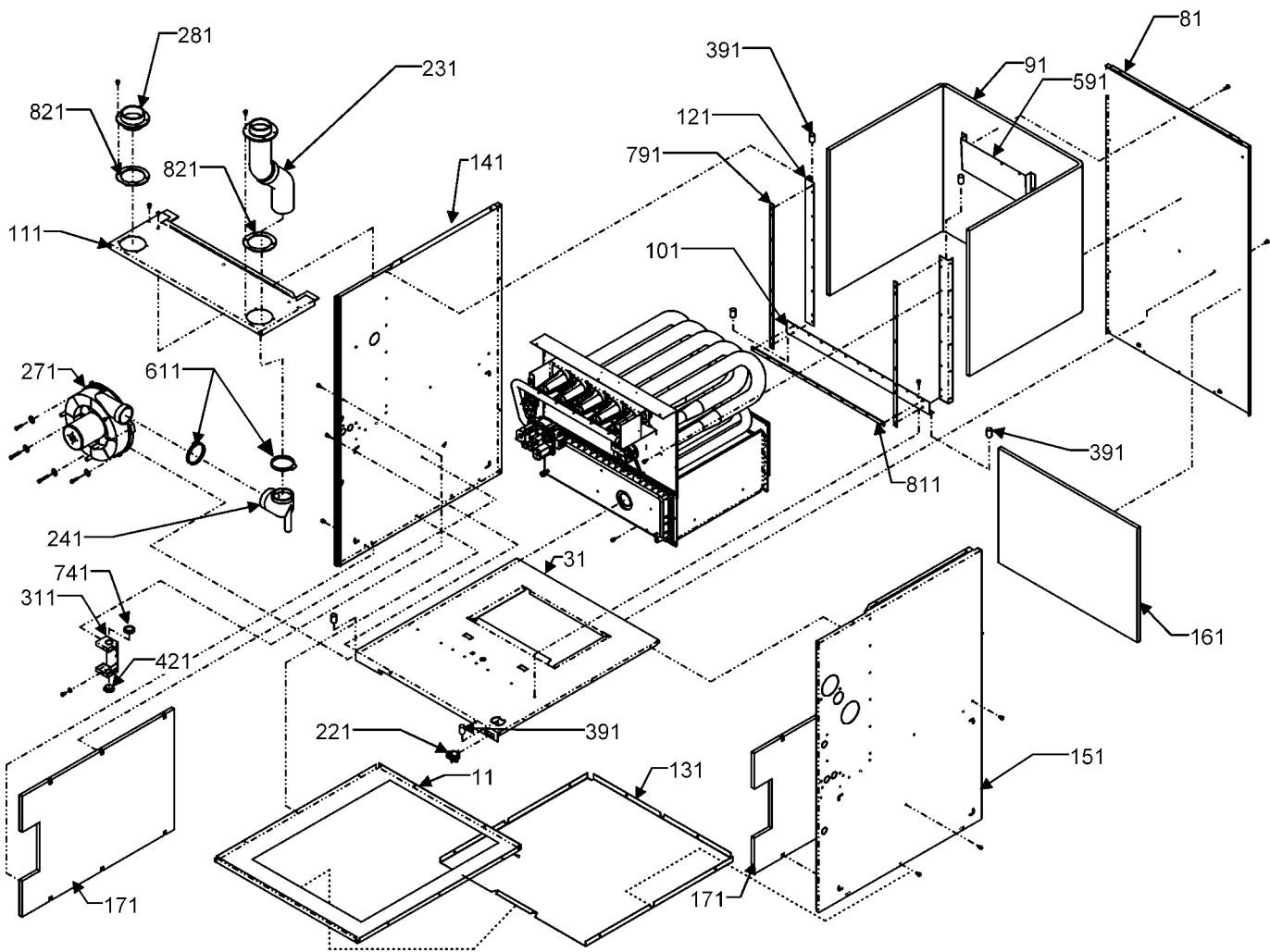
Image 2:

52	764741F	BLOCK-OFF, BLOWER 10 X 10 (M7)
52	764740F	BLOCK-OFF, BLOWER 10 X 8 (M6)
192	0271F00002P	ASSY, BLOWER HOUSING CRIMPED 10 X 8 (M6)
192	0271F00004P	ASSY, BLOWER HOUSING CRIMPED 10 X 10 (M7)

Image 3:

43	A4002701	GROMMET (M2, M3)
43	A4002702	GROMMET (M1, M4, M5, M6, M7)
143	10441601	BAND, MOTOR MOUNT (M2, M3)
153	10441501	ARM, MOTOR MOUNT (M2, M3)
153	C9443702	BRACKET, MOTOR MOUNT (M1, M4, M5, M6, M7)
163	20509214	END BELL, SERVICE REPLACEMENT (M4, M6)
163	20510125	END BELL, SERVICE REPLACEMENT (M1)
163	20510127	END BELL, SERVICE REPLACEMENT (M5, M7)
163	20511017	END BELL, SERVICE REPLACEMENT (M2)
163	20511018	END BELL, SERVICE REPLACEMENT (M3)
183	20508514	ASSY, ECM MOTOR/END BELL (M4, M6)
183	20509425	ASSY, ECM MOTOR/END BELL (M1)
183	20509427	ASSY, ECM MOTOR/END BELL (M5, M7)
183	20510317	ASSY, ECM MOTOR/END BELL (M2)
183	20510318	ASSY, ECM MOTOR/END BELL (M3)
233	M0221461	SCREW, TC (M2, M4, M5, M6, M7)
253	M0267144	SCREW, MACHINE (M2, M4, M5, M6, M7)

Chassis



Chassis

Ref. Part No:	Ref. Part No:	Description:	Description:
<i>Image 1:</i>			
11	20273407	BASEPAN, UPFLOW PNT (M4, M6)	811 20194606 GASKET (M1, M5, M7)
11	20273409	BASEPAN, UPFLOW PNT (M1, M5, M7)	811 20194607 GASKET (M2, M3)
11	20273411	BASEPAN, UPFLOW PNT (M2, M3)	NS 20276015 HARNESS, WIRING 12-PIN
31	0121F00015P	DECK, BLOWER (M7)	NS 11118705 HARNESS, WIRING 16-PIN
31	0121F00043	DECK, BLOWER (M6)	NS 20275905 HARNESS, WIRING 9-PIN TO 5-PIN POWER
31	0121F00047	DECK, BLOWER (M2, M3)	NS 22323705 HOSE, PRESSURE SWITCH 10" SQUARE (M4, M5, M6, M7)
31	20190231	DECK, BLOWER (M4)	NS 22323706 HOSE, PRESSURE SWITCH 12" SQUARE (M1, M2, M3)
31	20190232	DECK, BLOWER (M1, M5)	NS 22323711 HOSE, PRESSURE SWITCH 22" SQUARE (M4, M6)
81	20273208	PANEL, BACK (M4, M6)	NS 22323713 HOSE, PRESSURE SWITCH 26" SQUARE (M1, M5, M7)
81	20273210	PANEL, BACK (M1, M5, M7)	NS 22323714 HOSE, PRESSURE SWITCH 28" SQUARE (M2, M3)
81	20273212	PANEL, BACK (M2, M3)	
91	C6415909	INSULATION, HEAT EXCHANGER (M2, M3)	Expanded Model Nomenclature
91	C6415910	INSULATION, HEAT EXCHANGER (M4, M6)	M1 - GMV90704CXA P1257603F
91	C6415911	INSULATION, HEAT EXCHANGER (M1, M5, M7)	M2 - GMV90905DXA P1257605F
101	0121F00018P	RAIL, DECK (M6)	M3 - GMV91155DXA P1257606F
101	0121F00019P	RAIL, DECK (M7)	M4 - GMV90703BXA P1257607F
101	20191303	RAIL, DECK (M2, M3)	M5 - GMV90905CXA P1257609F
101	20191304	RAIL, DECK (M4)	M6 - GMV90703BXA P1257610F
101	20191305	RAIL, DECK (M1, M5)	M7 - GMV90905CXA P1257611F
111	0270F00100P	ASSY, TOP COVER (M4, M6)	
111	0270F00101P	ASSY, TOP COVER (M1, M5, M7)	
111	0270F00102P	ASSY, TOP COVER (M2, M3)	
121	20191602	RAIL, SIDE (M4, M6)	
121	20191603	RAIL, SIDE (M1, M5, M7)	
121	20191604	RAIL, SIDE (M2, M3)	
131	20523801	PLATE, FILLER (M4, M6)	
131	20523802	PLATE, FILLER (M1, M5, M7)	
131	20523803	PLATE, FILLER (M2, M3)	
141	0121F00035PDG	PANEL, SIDE LH	
151	0121F00033PDG	PANEL, SIDE RH	
161	20006601	INSULATION (M4, M6)	
161	20006602	INSULATION (M1, M5, M7)	
161	20006603	INSULATION (M2, M3)	
171	20243503	INSULATION, SIDE (QTY 2)	
221	10690402	SWITCH, INTERLOCK	
231	22309501	PIPE, FLUE	
241	20171802	ELBOW	
271	20245903	BLOWER, ID	
281	20049701	COUPLING, FA	
311	10736102	BOX, HIGH VOLTAGE	
391	M0275521	SEALER, PLASTIC	
421	A4554801	BUSHING, SNAP	
591	11165107	SHIELD, ID BLOWER	
611	A3326002	CLAMP, HOSE (QTY 2)	
811	20194605	GASKET (M4, M6)	

Heat Exchanger / Manifold / Gas Valve

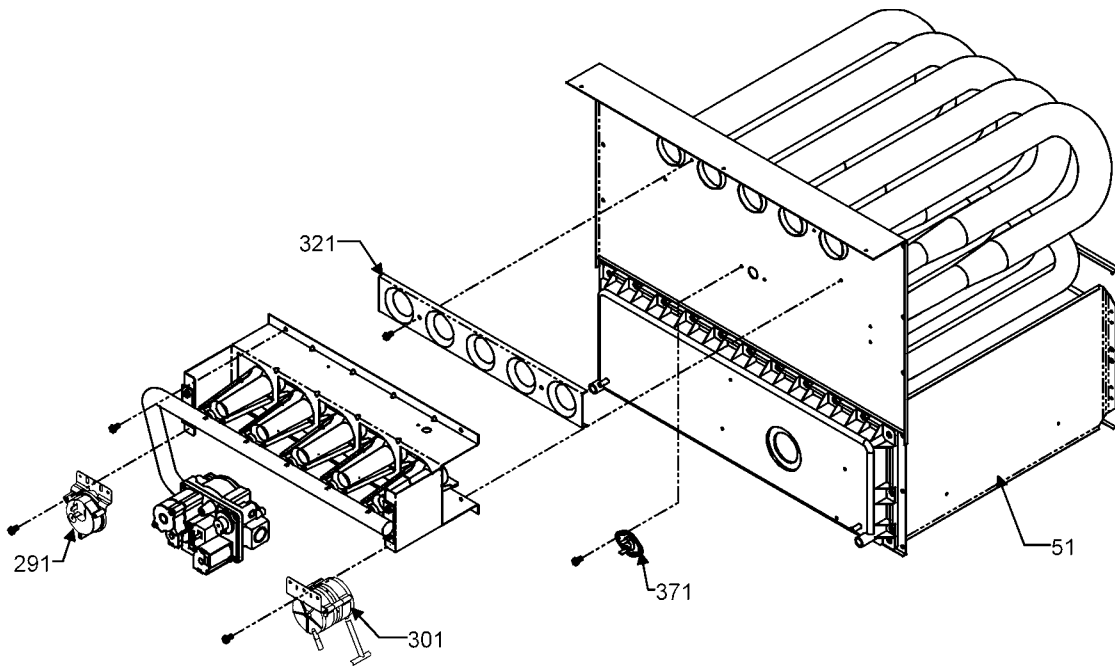
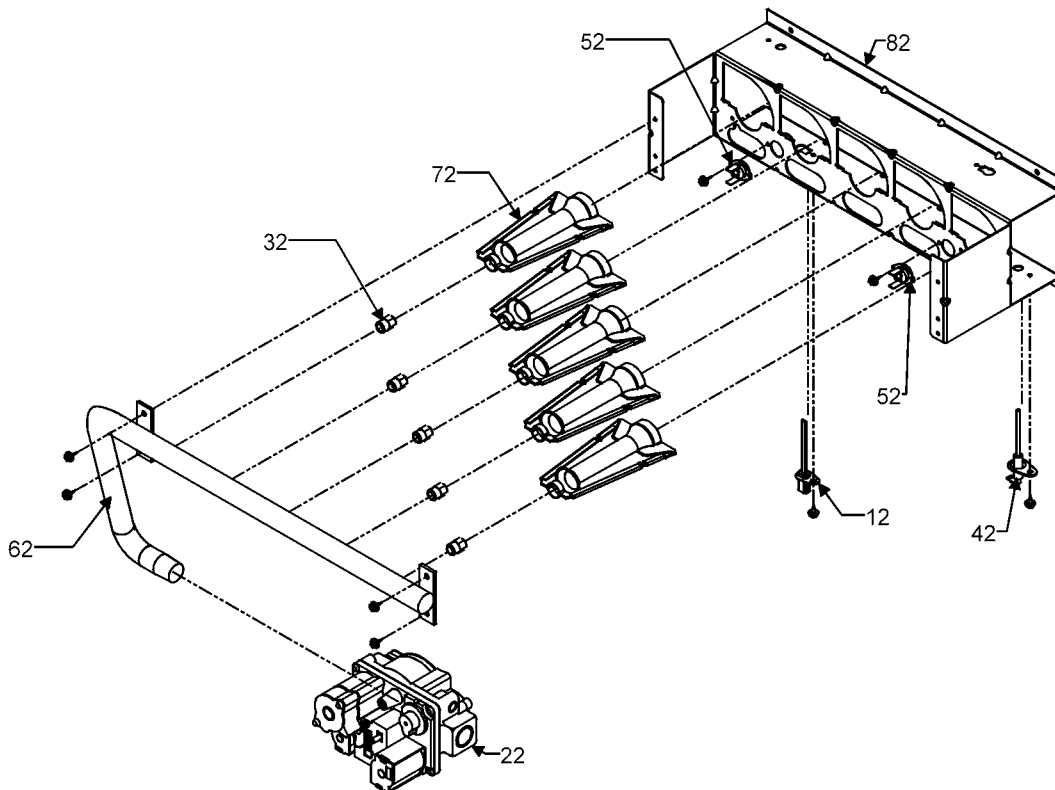


Image 1

Image 2



Heat Exchanger / Manifold / Gas Valve

Ref. Part No: No:	Description:	Ref. Part No: No:	Description:
-------------------	--------------	-------------------	--------------

Image 1:

51	0257F00028P	ASSY, HEAT EXCHANGER 3B (M6)
51	20494531	ASSY, HEAT EXCHANGER 3B (M4)
51	20494532	ASSY, HEAT EXCHANGER 3B (M1)
51	0257F00029P	ASSY, HEAT EXCHANGER 4B (M7)
51	20494533	ASSY, HEAT EXCHANGER 4B (M5)
51	20494534	ASSY, HEAT EXCHANGER 4B (M2)
51	0257F00021P	ASSY, HEAT EXCHANGER 5B (M3)
291	20197308	SWITCH, PRESSURE SET .10 WC (M1, M2, M3)
291	20197312	SWITCH, PRESSURE SET .37 WC (M4, M5, M6, M7)
301	11177117	SWITCH, PRESSURE SET .20 WC (M4, M5, M6, M7)
301	11177113	SWITCH, PRESSURE SET .30 WC (M1)
301	11177114	SWITCH, PRESSURE SET .50 WC (M2, M3)
321	11072202	SHIELD, ORIFICE (M1, M4, M6)
321	11072203	SHIELD, ORIFICE (M2, M5, M7)
321	11072204	SHIELD, ORIFICE (M3)
371	20162905	LIMIT, OPENS 145° CLOSE 105° (M1, M2)
371	20162904	LIMIT, OPENS 150° CLOSE 110° (M4, M5, M6, M7)
371	20162903	LIMIT, OPENS 160° CLOSE 120° (M3)

Image 2:

12	20165703	IGNITOR
22	0151F00000P	VALVE, GAS
32	10716003	ORIFICE #43 (QTY 3)
42	20488501	SENSOR, FLAME
52	10123517	LIMIT, RESET MANUAL (M1, M4, M6)
52	10123533	LIMIT, RESET MANUAL (M3)
52	10123537	LIMIT, RESET MANUAL (M2, M5, M7)
62	20196402	MANIFOLD, 3B (M1, M4, M6)
62	20196403	MANIFOLD, 4B (M2, M5, M7)
62	20196404	MANIFOLD, 5B (M3)
72	10735102	BECKETT BURNER (QTY AR)
92	20190411	BRACKET, BURNER 3B (M1, M4, M6)
92	20190412	BRACKET, BURNER 4B (M2, M5, M7)
92	20190413	BRACKET, BURNER 5B (M3)

Expanded Model Nomenclature

M1 - GMV90704CXA	P1257603F
M2 - GMV90905DXA	P1257605F
M3 - GMV91155DXA	P1257606F
M4 - GMV90703BXA	P1257607F
M5 - GMV90905CXA	P1257609F
M6 - GMV90703BXA	P1257610F
M7 - GMV90905CXA	P1257611F

Recoup Coil Assy / Standpipe Bag Assy

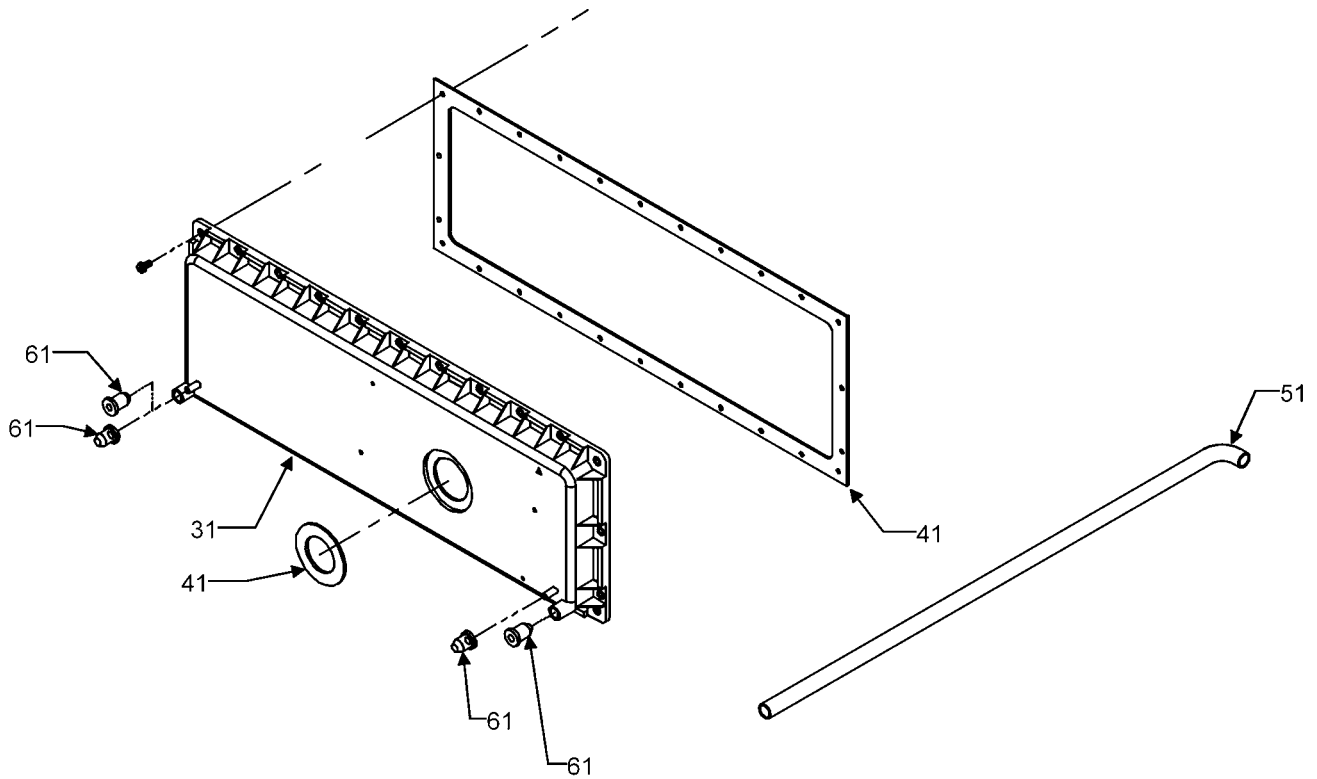
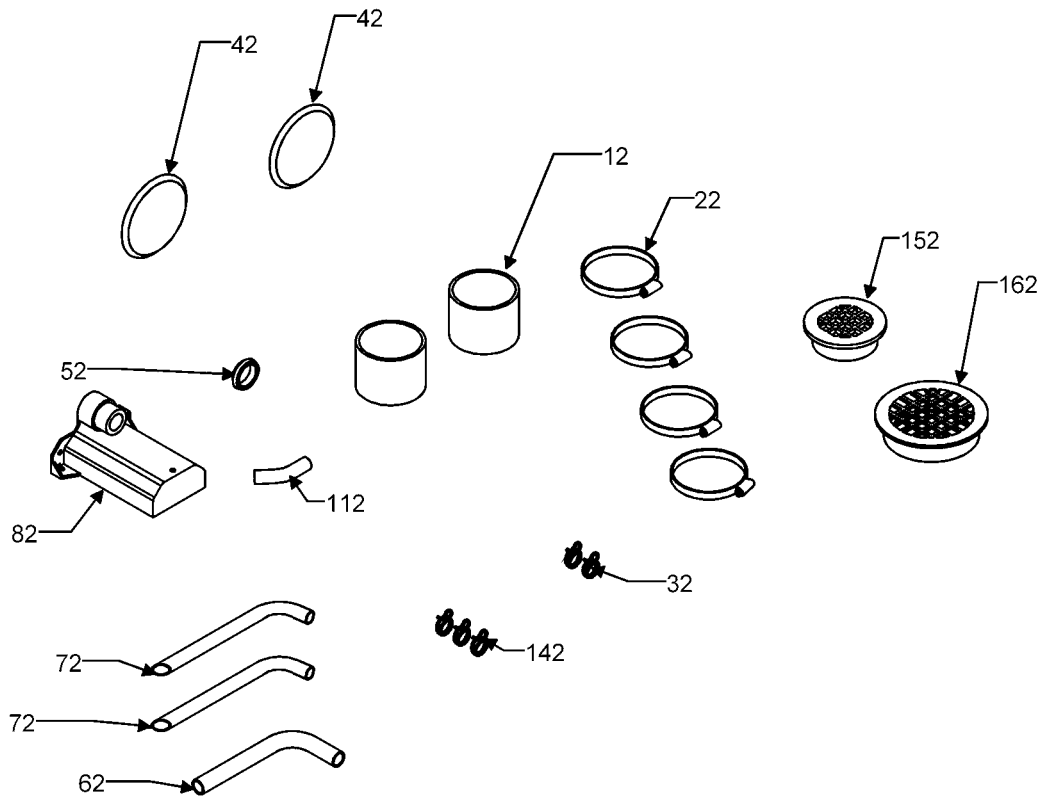


Image 1

Image 2



Recoup Coil Assy / Standpipe Bag Assy

Ref. Part No: No:	Description:	Ref. Part No: No:	Description:
-------------------	--------------	-------------------	--------------

Image 1:

21	A3326002	CLAMP, HOSE (QTY 2)
31	20170805A	COVER, FRONT (M4, M6)
31	20170903A	COVER, FRONT (M1)
31	20170904A	COVER, FRONT (M5, M7)
31	20171003A	COVER, FRONT (M2)
31	20171004A	COVER, FRONT (M3)
41	0154F00000P	GASKET, COIL (M4, M6)
41	0154F00001P	GASKET, COIL (M1, M5, M7)
41	0154F00002P	GASKET, COIL (M2, M3)
41	20179307	GASKET, COIL (M2, M3)
41	20179309	GASKET, COIL (M4, M6)
41	20179310	GASKET, COIL (M1, M5, M7)
51	20201902	HOSE, DRAIN
61	M0326804	PLUG, TUBE (QTY 3)

Image 2:

12	10254303	COUPLING, RUBBER
22	A3326002	CLAMP, HOSE (QTY 2)
32	M0119207	CLAMP, HOSE
62	20201901	HOSE, DRAIN
72	20201802	TUBE, DRAIN (QTY 2)
82	20171701	TRAP, DRAIN
112	20214203	DRAIN, ANGLE
142	M0119205	CLAMP, HOSE (QTY 3)
152	B2810816	2" MESH INSERT
162	B2810814	3" MESH INSERT
172	M0119206	CLAMP, HOSE

Expanded Model Nomenclature

M1 - GMV90704CXA	P1257603F
M2 - GMV90905DXA	P1257605F
M3 - GMV91155DXA	P1257606F
M4 - GMV90703BXA	P1257607F
M5 - GMV90905CXA	P1257609F
M6 - GMV90703BXA	P1257610F
M7 - GMV90905CXA	P1257611F