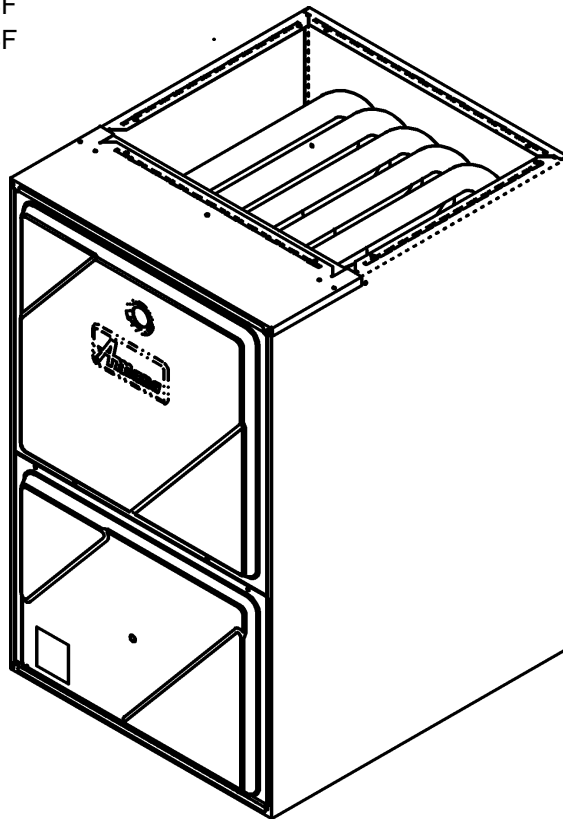


DCS9XA**
Downflow/Horizontal
Single Stage/Multi-Speed
90% AFUE Gas Furnace

DCS90703BXA P1257102F
DCS90703BXA P1257107F
DCS90904CXA P1257104F
DCS90904CXA P1257108F
DCS91155DXA P1257106F



RP6612008
Revision 2
April 2006

Important Information

Index

Functional Parts List	3
Illustration and Parts	4 - 13

Views shown are for parts illustrations only, not servicing procedures

Rev. 1: Added models DCS90703BXA P1257107F and DCS90904CXA P1257108F.

Text Codes:

AR - As Required

NA - Not Available

NS - Not Shown

00000000 - See Note

QTY - Quantity Example (QTY 3) (If Quantity not shown, Quantity = 1)

M - Model Example (M1) (If M Code not shown, then part is used on all Models)

Expanded Model Nomenclature:

Example

M1 - Model#1

M2 - Model#2

M3 - Model#3

Goodman Company, L.P. is not responsible for personal injury or property damage resulting from improper service. Review all service information before beginning repairs.

Warranty service must be performed by an authorized technician, using authorized factory parts. If service is required after the warranty expires, Goodman Company, L.P. also recommends contacting an authorized technician and using authorized factory parts.

Goodman Company, L.P. reserves the right to discontinue, or change at any time, specifications or designs without notice or without incurring obligations. Amana® brand products are proudly made in the USA.

For assistance within the U.S.A. contact:

Consumer Affairs Department

Goodman Company, L.P.

7401 Security Way

Houston, Texas 77040

877-254-4729-Telephone

713-863-2382-Facsimile

For assistance outside the U.S.A. contact:

International Division

Goodman Company, L.P.

7401 Security Way

Houston, Texas 77040

713-861-2500-Telephone

713-863-2382-Facsimile

Functional Parts

Part No:

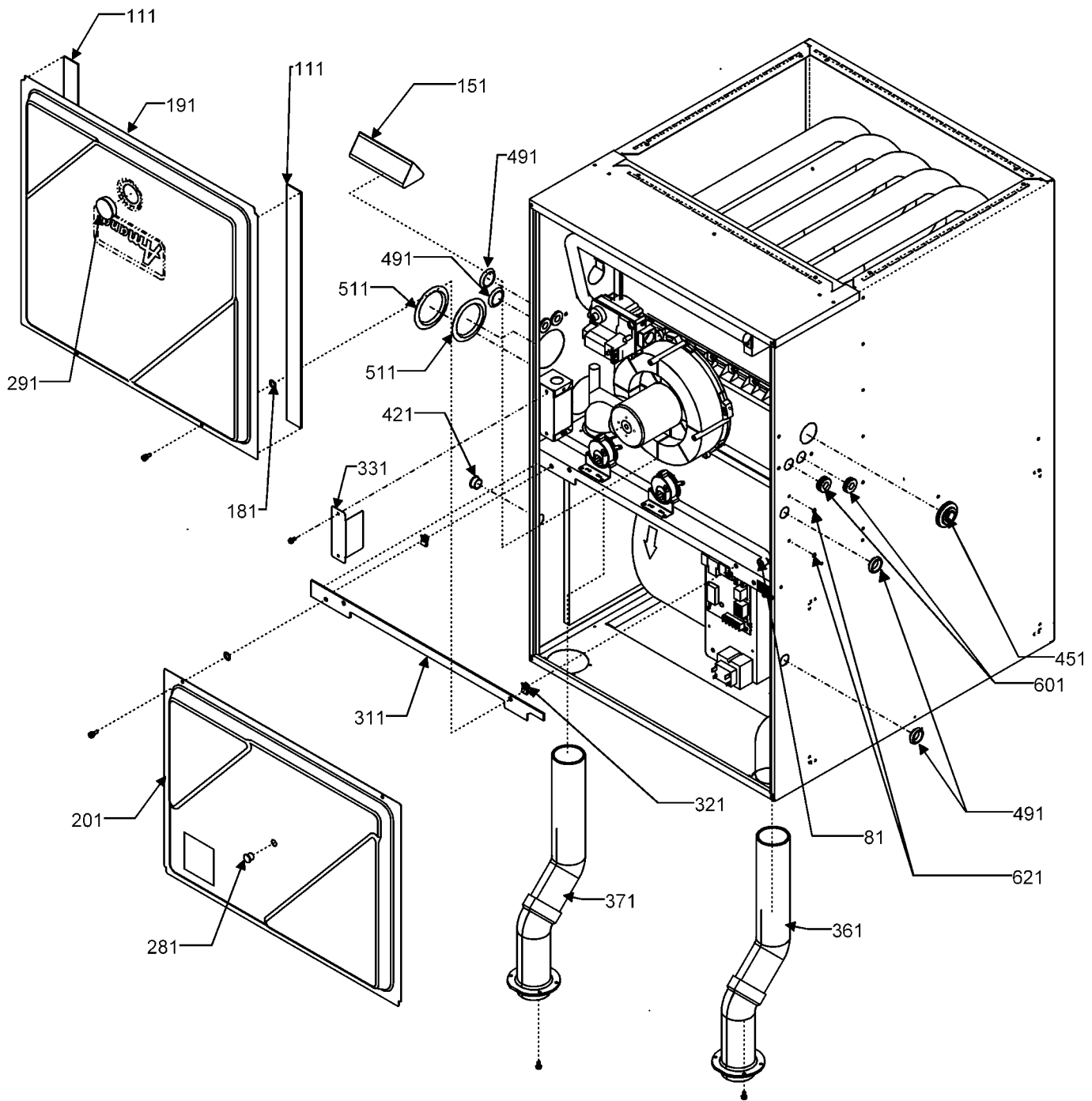
Description:

20194429	ASSY, HEAT EXCHANGER 3B (M1)	IO-271	INSTALLATION INSTRUCTIONS
0257F00034P	ASSY, HEAT EXCHANGER 3B (M4)	22323501	INSTALLATION, HUMIDIFIER
20194430	ASSY, HEAT EXCHANGER 4B (M2)	IO-254C	INSTRUCTIONS, AMANA SINGLE STAGE
0257F00035P	ASSY, HEAT EXCHANGER 4B (M5)	0161M00003P	NAMEPLATE, AMANA
20194431	ASSY, HEAT EXCHANGER 5B (M3)	RP6612008	REPAIR PARTS MANUAL
10735102	BECKETT BURNER (QTY 3)	Expanded Model Nomenclature	
22307501	BLOWER, I.D.	M1 - DCS90703BXA	P1257102F
0130F00005	BOARD, CONTROL INTEGRATED H.S.I.	M2 - DCS90904CXA	P1257104F
D6879756	CAPACITOR 12.5/370 (M4)	M3 - DCS91155DXA	P1257106F
D6879756	CAPACITOR 12.5/370 (M1)	M4 - DCS90703BXA	P1257107F
D6879748	CAPACITOR 15/370 (M3)	M5 - DCS90904CXA	P1257108F
D6879757	CAPACITOR 20/370 (M2)		
D6879757	CAPACITOR 20/370 (M5)		
20276011	HARNESS, WIRING 9-PIN		
20201902	HOSE, DRAIN		
20201902	HOSE, DRAIN		
22323708	HOSE, PRESSURE SWITCH 16" (M1, M4)		
22323709	HOSE, PRESSURE SWITCH 18" (M2, M5)		
22323711	HOSE, PRESSURE SWITCH 22" (M3)		
22323704	HOSE, PRESSURE SWITCH 8"		
20165703	IGNITOR		
20162904	LIMIT OPENS 150°, CLOSE 110° (M2, M5)		
20162907	LIMIT OPENS 155°, CLOSE 115° (M3)		
20162906	LIMIT OPENS 170°, CLOSE 130° (M1, M4)		
10123519	LIMIT, RESET MANUAL 160° (QTY 2)		
10123517	LIMIT, RESET MANUAL 210° (M1, M3, M4)		
10123534	LIMIT, RESET MANUAL 220° (M2, M5)		
20196404	MANIFOLD (M3)		
20196403	MANIFOLD (M2, M5)		
20196402	MANIFOLD (M1, M4)		
22316806	MANIFOLD ASSY 3BC (M1, M4)		
22316807	FOR UNITS BUILT ON OR AFTER 11/01/2004, ORDER THIS PART MANIFOLD ASSY 4BC (M2, M5)		
22316808	FOR UNITS BUILT ON OR AFTER 11/01/2004, ORDER THIS PART MANIFOLD ASSY 5BC (M3)		
10759415	FOR UNITS BUILT ON OR AFTER 11/01/2004, ORDER THIS PART MOTOR, BLOWER 3/4 HP (M3)		
B1340024	MOTOR, BLOWER DIRECT DRIVE 1/2 HP (M5)		
B1340024	MOTOR, BLOWER DIRECT DRIVE 1/2 HP (M2)		
B1340025	MOTOR, BLOWER DIRECT DRIVE 1/3 HP (M1)		
B1340025	MOTOR, BLOWER DIRECT DRIVE 1/3 HP (M4)		
10716003	ORIFICE (QTY AR)		
20488501	SENSOR, FLAME		
B1141605	TRANSFORMER 120 V		

SPECIAL PARTS

10195518	ASSY, STANDPIPE BAG
HI-115	HOMEOWNER INSTRUCTIONS

Cabinet Assembly



Cabinet Assembly

Ref. Part No:	Part No:	Description:	Ref. Part No:	Part No:	Description:
---------------	----------	--------------	---------------	----------	--------------

Image 1:

81	20201902	HOSE, DRAIN
111	20179308	GASKET (QTY 2)
151	10195518	ASSY, STANDPIPE BAG
191	20273108	DOOR, ACCESS (M1, M4)
191	20273110	DOOR, ACCESS (M2, M5)
191	20273112	DOOR, ACCESS (M3)
201	20177308	DOOR, BLOWER (M1, M4)
201	20177310	DOOR, BLOWER (M2, M5)
201	20177312	DOOR, BLOWER (M3)
281	20049701	COUPLING, FA (QTY 2)
281	B1392139	VIEW PORT BUSHING-BLOWER DOOR
291	11104002	VIEW PORT BUSHING-ACCESS DOOR
311	22320001	GASKET, DECK (M1, M4)
311	22320002	GASKET, DECK (M2, M5)
311	22320003	GASKET, DECK (M3)
321	91000301	NUT, U SPEED (QTY 4)
331	10736201	COVER, HIGH VOLTAGE BOX
371	22309502	PIPE, FLUE (QTY 2)
421	A4554801	BUSHING, SNAP
601	A4691701	GROMMET (QTY 2)
621	M0310345	BUTTON, PLUG (QTY 2)

Expanded Model Nomenclature

M1 - DCS90703BXA	P1257102F
M2 - DCS90904CXA	P1257104F
M3 - DCS91155DXA	P1257106F
M4 - DCS90703BXA	P1257107F
M5 - DCS90904CXA	P1257108F

Blower Assembly

Image 1

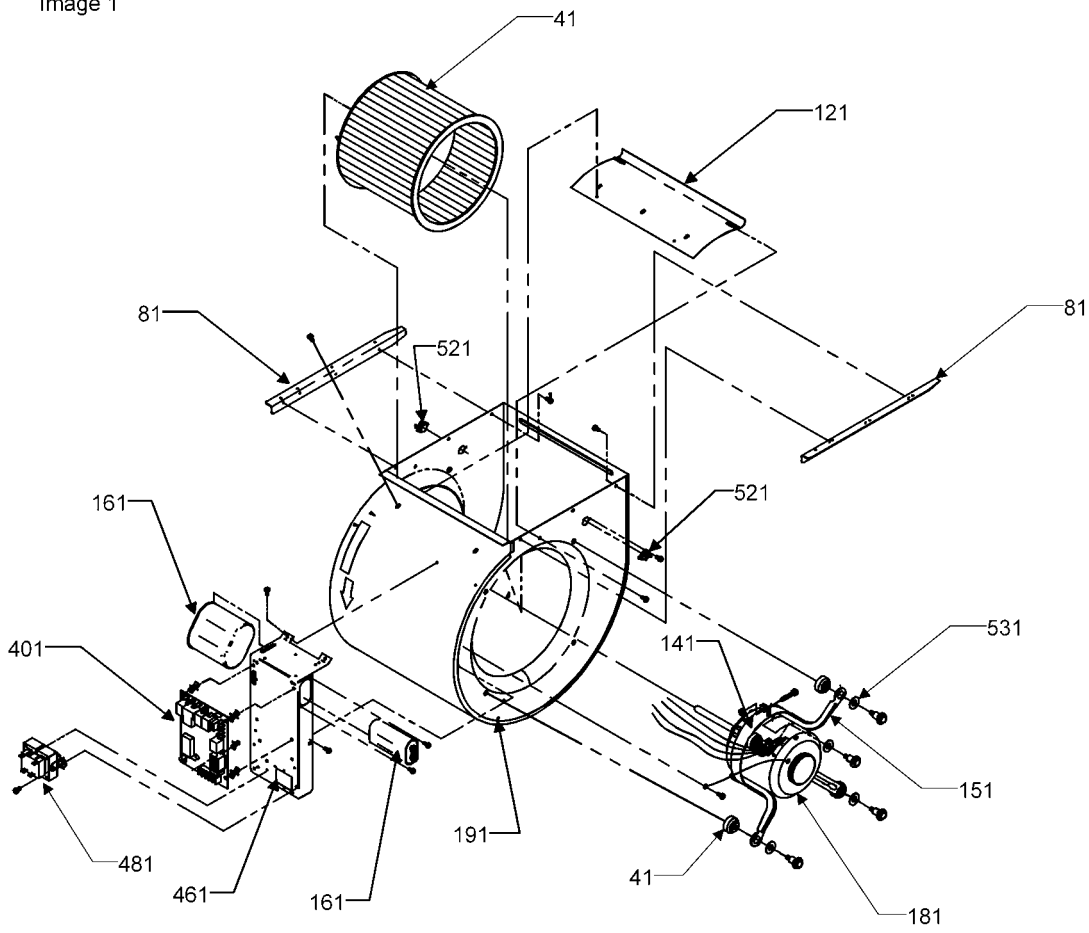
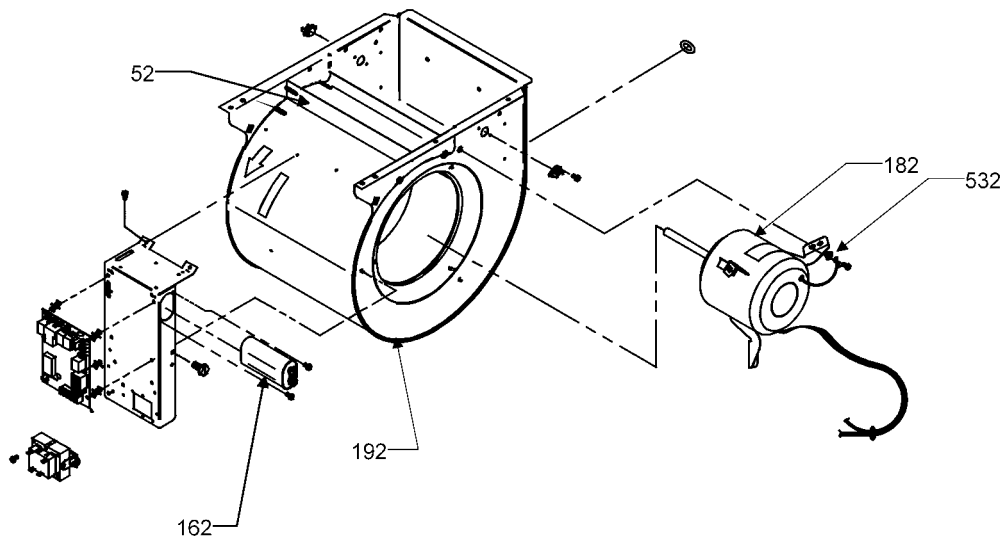


Image 2



Blower Assembly

Ref. Part No: No:	Description:	Ref. Part No: No:	Description:
-------------------	--------------	-------------------	--------------

Image 1:

41	D6723311	WHEEL, BLOWER (M3)
41	B1368047	WHEEL, BLOWER 10 X 10 (M2, M5)
41	B1368058	WHEEL, BLOWER 10 X 8 (M1, M4)
81	20175101	RAIL, BLOWER-SIDE (M1, M2, M3)
121	C6121807	CUT-OFF (M2, M3)
121	C6121810	CUT-OFF (M1)
121	C6121810	CUT-OFF (M1)
141	10441601	BAND, MTR MOUNT (M3)
151	10441501	ARM, MOTOR MOUNT (M3)
161	D6879756	CAPACITOR 12.5/370 (M1)
161	D6879748	CAPACITOR 15/370 (M3)
161	D6879757	CAPACITOR 20/370 (M2)
181	10759415	MOTOR, BLOWER 3/4 HP (M3)
181	B1340024	MOTOR, BLOWER DIRECT DRIVE 1/2 HP (M2)
181	B1340025	MOTOR, BLOWER DIRECT DRIVE 1/3 HP (M1)
191	11185811	HOUSING BLOWER 11 X 10 (M3)
191	11185818	HOUSING, BLOWER (M2)
191	11185820	HOUSING, BLOWER (M1)
401	0130F00005	BOARD, CONTROL INTEGRATED H.S.I.
461	0121F00025P	BRACKET, CONTROL
481	B1141605	TRANSFORMER 120 V
521	10123519	LIMIT, RESET MANUAL 160° (QTY 2)
531	B1392143	GROMMET, 26TAL F/TORSIN FLEX (M1, M2)

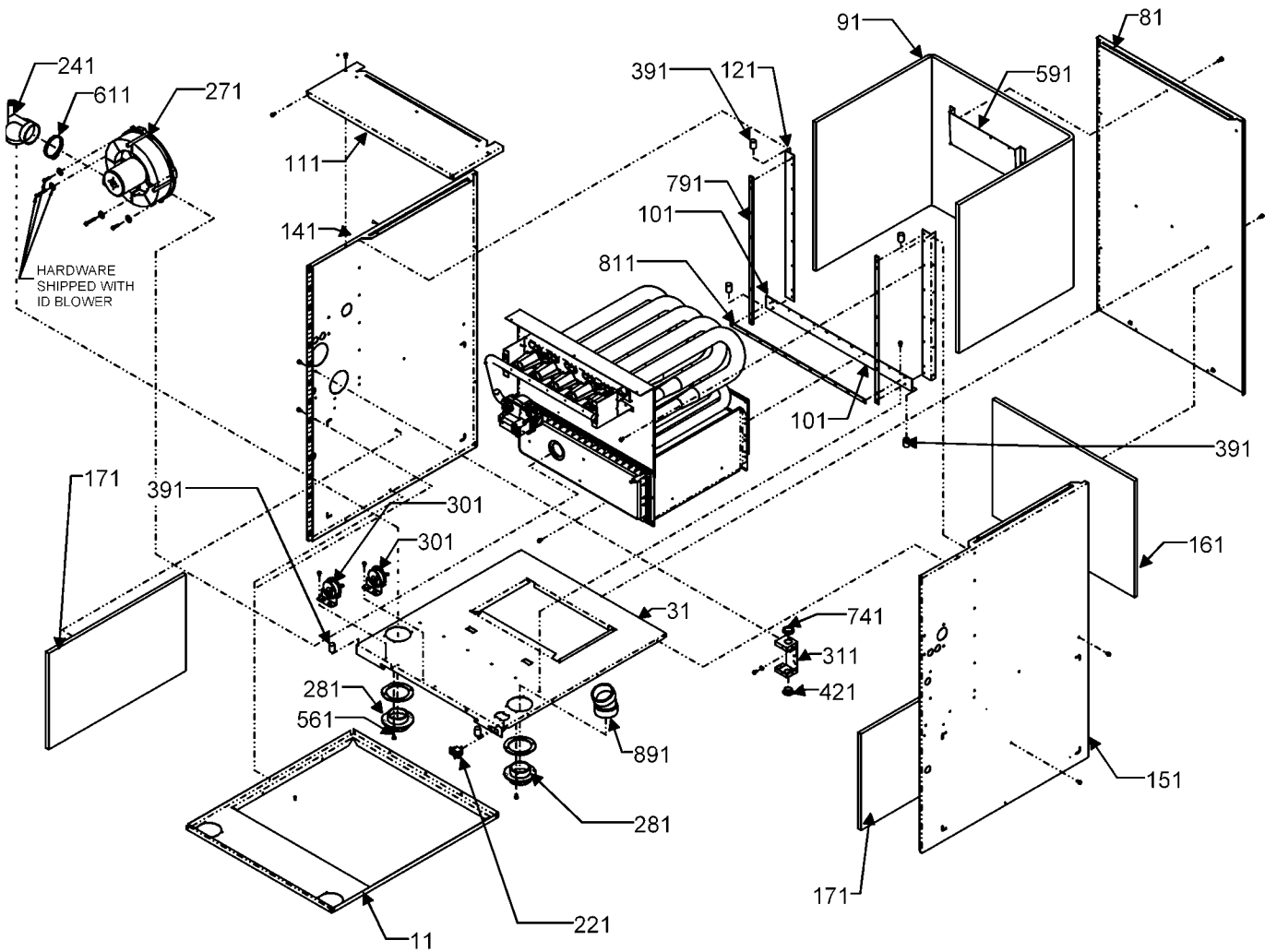
Image 2:

52	764741F	BLOWER BLK-OFF 10 X 10 (M5)
52	764740F	BLOWER BLK-OFF 10 X 8 (M4)
162	D6879756	CAPACITOR 12.5/370 (M4)
162	D6879757	CAPACITOR 20/370 (M5)
182	B1340024	MOTOR, BLOWER DIRECT DRIVE 1/2 HP (M5)
182	B1340025	MOTOR, BLOWER DIRECT DRIVE 1/3 HP (M4)
192	0271F00004P	HOUSING, BLOWER 10 X 10 2 SPD (M5)
192	0271F00001P	HOUSING, BLOWER 10 X 8 2 SPD (M4)
532	B1392143	GROMMET, 26TAL F/TORSIN FLEX (M4, M5)

Expanded Model Nomenclature

M1 - DCS90703BXA	P1257102F
M2 - DCS90904CXA	P1257104F
M3 - DCS91155DXA	P1257106F
M4 - DCS90703BXA	P1257107F
M5 - DCS90904CXA	P1257108F

Chassis



Chassis

Ref. Part No:	Ref. Part No:	Description:	Description:
<i>Image 1:</i>			
11	20273508	BASEPAN (M1, M4)	811 20194606 GASKET (M2, M5)
11	20273510	BASEPAN (M2, M5)	811 20194607 GASKET (M3)
11	20273512	BASEPAN (M3)	891 C6455901 ELBOW-22 1/2 ELL
31	0121F00016P	DECK, BLOWER (M4)	Expanded Model Nomenclature
31	0121F00017P	DECK, BLOWER (M5)	M1 - DCS90703BXA P1257102F
31	20190215	DECK, BLOWER (M3)	M2 - DCS90904CXA P1257104F
31	20190233	DECK, BLOWER (M1)	M3 - DCS91155DXA P1257106F
31	20190234	DECK, BLOWER (M2)	M4 - DCS90703BXA P1257107F
81	20273214	PANEL, BACK (M1, M4)	M5 - DCS90904CXA P1257108F
81	20273216	PANEL, BACK (M2, M5)	
81	20273218	PANEL, BACK (M3)	
91	C6415909	INSULATION, HEAT EXCHANGER (M3)	
91	C6415910	INSULATION, HEAT EXCHANGER (M1, M4)	
91	C6415911	INSULATION, HEAT EXCHANGER (M2, M5)	
101	0121F00018P	RAIL, DECK (M4)	
101	0121F00019P	RAIL, DECK (M5)	
101	20191303	RAIL, DECK (M3)	
101	20191304	RAIL, DECK (M1)	
101	20191305	RAIL, DECK (M2)	
111	0270F00103P	ASSY, TOP COVER (M1, M4)	
111	0270F00104P	ASSY, TOP COVER (M2, M5)	
111	0270F00105P	ASSY, TOP COVER (M3)	
121	20191602	RAIL, SIDE (M1, M4)	
121	20191603	RAIL, SIDE (M2, M5)	
121	20191604	RAIL, SIDE (M3)	
141	0121F00036PDG	PANEL, SIDE LH	
151	0121F00034PDG	PANEL, SIDE RH	
161	20006601	INSULATION (M1, M4)	
161	20006602	INSULATION (M2, M5)	
161	20006603	INSULATION (M3)	
171	20006604	INSULATION, SIDE (QTY 2)	
221	10690402	SWITCH, INTERLOCK	
241	20171802	ELBOW	
271	22307501	BLOWER, I.D.	
281	20049701	COUPLING, FA (QTY 2)	
301	20197311	SWITCH, PRESSURE (QTY 2)	
311	10736102	BOX, HIGH VOLTAGE	
391	M0275521	SEALER, PLASTIC	
421	A4554801	BUSHING, SNAP	
561	2509503F	BRACKET FOR ROLLOUT SWITCH (M5)	
591	11165107	SHIELD, ID BLOWER	
611	A3326002	CLAMP, HOSE (QTY 2)	
741	M0275521	BUSHING, SNAP	
791	20194608	GASKET (QTY 2)	
811	20194605	GASKET (M1, M4)	

Heat Exchanger / Manifold / Gas Valve

Image 1

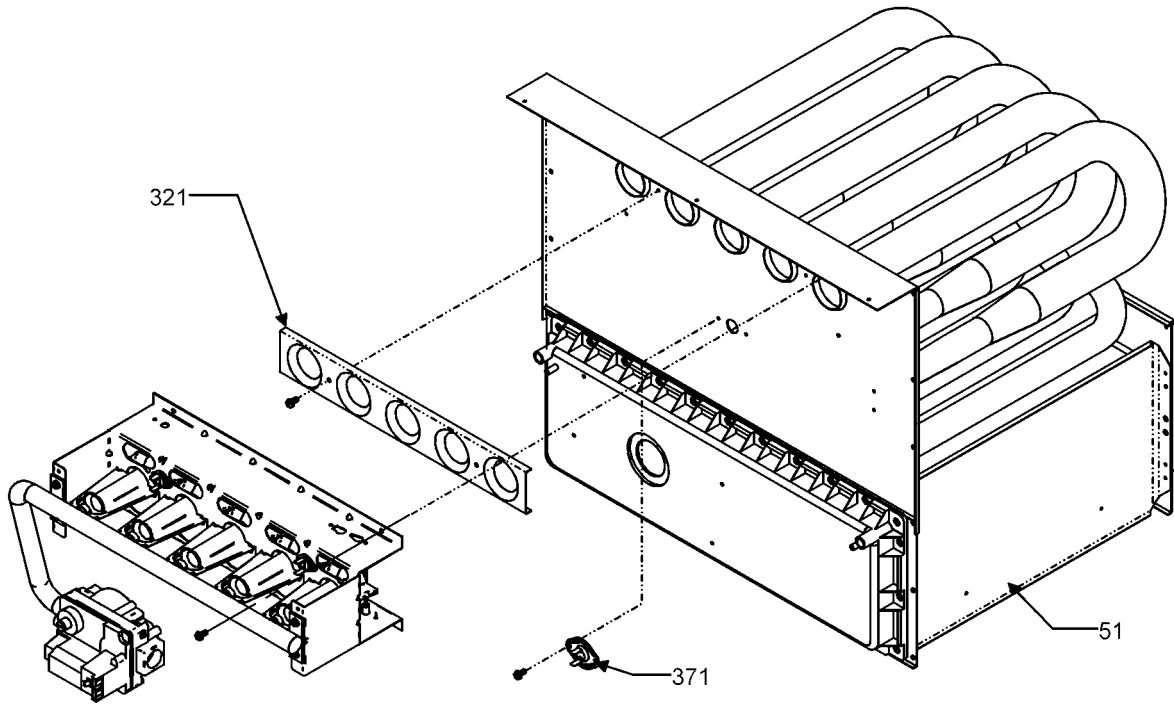
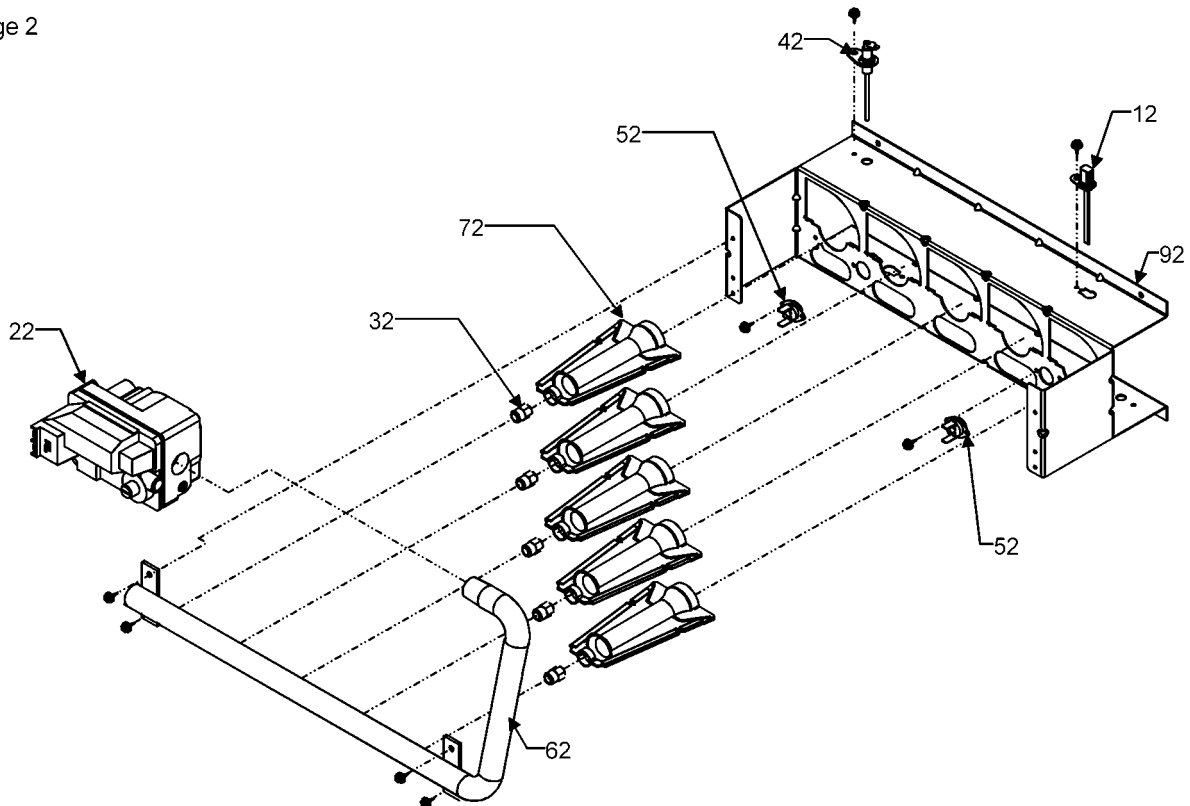


Image 2



Heat Exchanger / Manifold / Gas Valve

Ref. Part No: No:	Description:	Ref. Part No: No:	Description:
-------------------	--------------	-------------------	--------------

Image 1:

51	0257F00034P	ASSY, HEAT EXCHANGER 3B (M4)
51	20194429	ASSY, HEAT EXCHANGER 3B (M1)
51	0257F00035P	ASSY, HEAT EXCHANGER 4B (M5)
51	20194430	ASSY, HEAT EXCHANGER 4B (M2)
51	20194431	ASSY, HEAT EXCHANGER 5B (M3)
321	11072202	SHIELD, ORIFICE (M1, M4)
321	11072203	SHIELD, ORIFICE (M2, M5)
321	11072204	SHIELD, ORIFICE (M3)
371	20162904	LIMIT OPENS 150°, CLOSE 110° (M2, M5)
371	20162907	LIMIT OPENS 155°, CLOSE 115° (M3)
371	20162906	LIMIT OPENS 170°, CLOSE 130° (M1, M4)

Image 2:

12	20165703	IGNITOR
22	B1282628	VALVE, GAS (36G)
32	10716003	ORIFICE (QTY AR)
42	20488501	SENSOR, FLAME
52	10123517	LIMIT, RESET MANUAL 210° (M1, M3, M4)
52	10123534	LIMIT, RESET MANUAL 220° (M2, M5)
62	20196402	MANIFOLD (M1, M4)
62	20196403	MANIFOLD (M2, M5)
62	20196404	MANIFOLD (M3)
72	10735102	BECKETT BURNER (QTY 3)
92	20190411	BRACKET, BURNER 3B (M1, M4)
92	20190412	BRACKET, BURNER 4B (M2, M5)
92	20190413	BRACKET, BURNER 5B (M3)

Expanded Model Nomenclature

M1 - DCS90703BXA	P1257102F
M2 - DCS90904CXA	P1257104F
M3 - DCS91155DXA	P1257106F
M4 - DCS90703BXA	P1257107F
M5 - DCS90904CXA	P1257108F

Recoup Coil Assy / Standpipe Bag Assy

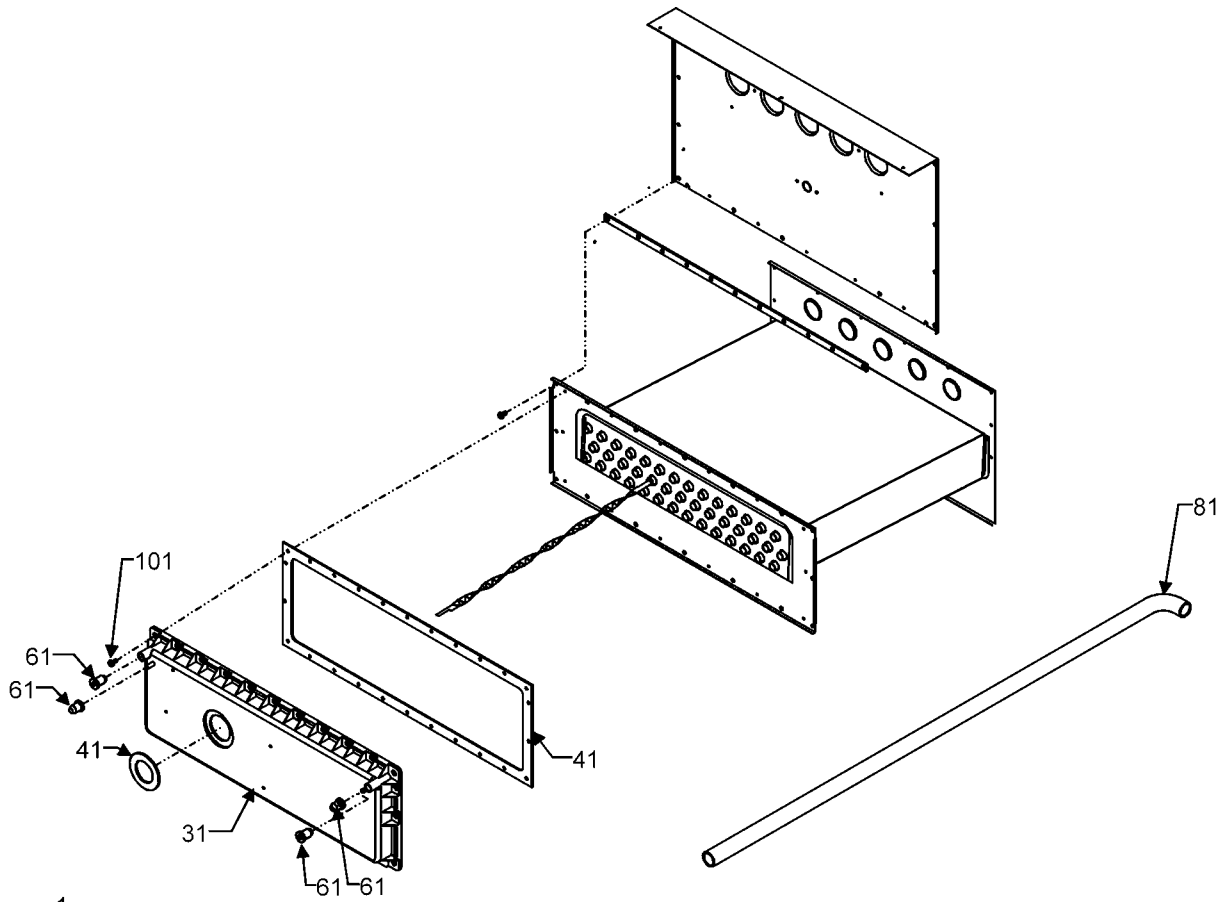
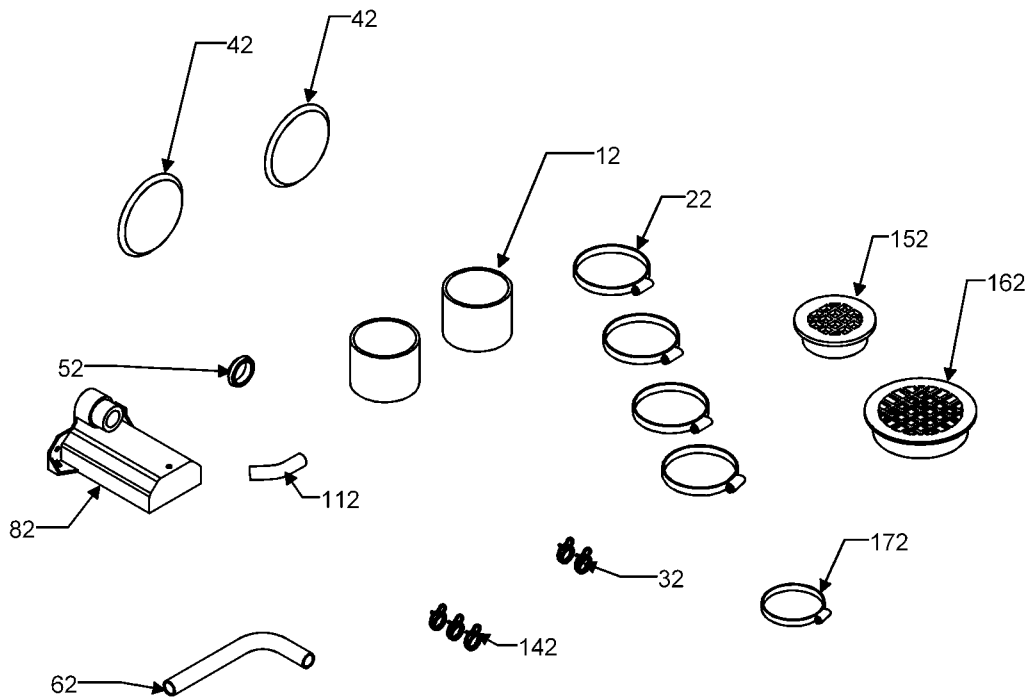


Image 1

Image 2



Recoup Coil Assy / Standpipe Bag Assy

Ref. Part No: No:	Description:	Ref. Part No: No:	Description:
-------------------	--------------	-------------------	--------------

Image 1:

31	20170802A	COVER, FRONT (M1, M4)
31	20170902A	COVER, FRONT (M2, M5)
31	20171002A	COVER, FRONT (M3)
41	0154F00000P	GASKET, COIL (M1, M4)
41	0154F00001P	GASKET, COIL (M2, M5)
41	0154F00002P	GASKET, COIL (M3)
61	M0326804	PLUG, TUBE (QTY 3)
81	20201902	HOSE, DRAIN

Image 2:

32	M0119207	CLAMP, HOSE
62	20201901	HOSE, DRAIN
82	20171701	DRAIN TRAP
112	20214203	DRAIN, ANGLE
152	B2810816	2" MESH INSERT
162	B2810814	3" MESH INSERT
172	M0119206	CLAMP, HOSE

Expanded Model Nomenclature

M1 - DCS90703BXA	P1257102F
M2 - DCS90904CXA	P1257104F
M3 - DCS91155DXA	P1257106F
M4 - DCS90703BXA	P1257107F
M5 - DCS90904CXA	P1257108F