

Models and manufacturing
numbers in this manual

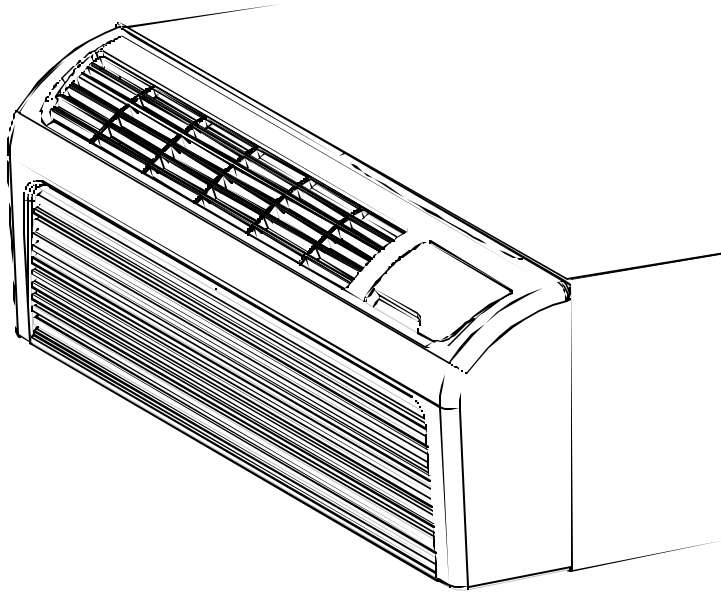
PTH073B25BG	P1255806R
PTH073B25BK	P1255811R
PTH093B25BG	P1255808R
PTH093B25BK	P1255813R
PTH123B35BG	P1255801R
PTH123B35BK	P1255809R
PTH123B35JG	P1255901R
PTH123B35JK	P1255902R
PTH153B35BG	P1255802R
PTH153B35BK	P1255810R
PTH153B50BG	P1255807R
PTH153B50BK	P1255812R

Service Parts

PTH*B/JG Package Terminal Air Conditioner with Power Vent

This manual replaces RP4220034.

This manual is to be used by qualified appliance technicians only.



Amana is a trademark of Maytag Corporation and used under
license to Goodman Company, L.P. All rights reserved.

RP4220034
Revision 1
September 2004

Copyright © 2004 Goodman Company, L.P.

Important Information

Goodman Company, L.P. is not responsible for personal injury or property damage resulting from improper service. Review all service information before beginning repairs.

Warranty service must be performed by an authorized technician, using authorized factory parts. If service is required after the warranty expires, Goodman Company, L.P. also recommends contacting an authorized technician and using authorized factory parts.

For assistance within the U.S.A. contact:
Consumer Affairs Department
Goodman Company, L.P.
7401 Security Way
Houston, Texas 77040
877-254-4729-Telephone
713-863-2382-Facsimile

For assistance outside the U.S.A. contact:
International Division
Goodman Company, L.P.
7401 Security Way
Houston, Texas 77040
713-861-2500-Telephone
713-863-2382-Facsimile

Index

Functional Parts List	4 - 5
Illustration and Parts	6 - 21

Views shown are for parts illustrations only, not servicing procedures.

Revision 1: Adds MFG #s P1255809R, P1255810R, P1255811R, P1255812R, P1255813R, and P1255902R.

Text Codes:

AR - As Required

NA - Not Available

NS - Not Shown

00000000 - See Note

QTY - Quantity Example (QTY 3) (If Quantity not shown, Quantity = 1)

M - Model Example (M1) (If M Code not shown, then part is used on all Models)

Expanded Model Nomenclature:

Example	
M1 - Model#1	P _____
M2 - Model#2	P _____
M3 - Model#3	P _____

Functional Parts

Part

No:

Description:

D6789051	CAPACITOR (M1, M6, M7, M12)
D6789049	CAPACITOR-POLY (M2, M4, M8, M10)
D6789054	CAPACITOR-ROUND (M3, M5, M11)
20284922	CAPILLARY TUBING ASSY (M2, M4, M8, M10)
20284919	CAPILLARY TUBING ASSY (M3, M9)
20284921	CAPILLARY TUBING ASSY (M1, M6, M7, M12)
20284920	CAPILLARY TUBING ASSY (M5, M11)
D6926123H	COMP-PN 2K21T236A (M2, M4, M8, M10)
D6985807H	COMP-PN 2P17S3R236A (M1, M6, M7, M12)
D6887711H	COMP-PN 2R13S3R236A (M5, M11)
D6887715H	COMP-PN 2R9U236A6A (M3, M9)
20456603BND	CONDENSING ASSY (M3, M5, M9, M11)
20456604BND	CONDENSING ASSY (M1, M6, M7, M12)
20456605BND	CONDENSING ASSY (M2, M4, M8, M10)
20517301	CONT PANEL ASSY
20473902	EVAPORATOR ASSY (M3, M9)
20457202	EVAPORATOR ASSY (M5, M11)
20456702	EVAPORATOR ASSY (M1, M2, M4, M6, M7, M8, M10, M12)
20414601	FAN-PL. COND.
20517901	HTR 3 2.5KW ASSY (M3, M5, M9, M11)
20517902	HTR 3 3.5KW ASSY (M1, M2, M6, M7, M8, M12)
20517903	HTR 3 5.0KW ASSY (M4, M10)
20515201	MEMBRANE-(CONTROL)
11172801	MOTOR
11114907	MOTOR-FAN (M3, M5, M9, M11)
11114909	MOTOR-FAN (M1, M2, M4, M6, M7, M8, M10, M12)
D6961612	OVERLOAD (M1, M6, M7, M12)
D6961636	OVERLOAD (M3, M9)
D6961639	OVERLOAD (M5, M11)
D4976682	OVERLOAD (M2, M4)
20515101	PC BOARD
C8873932	RELAY
20365801	REV VALVE ASSY
20477003	REV VLV WELD (M5, M11)
20474403	REV VLV WELD (M2, M4, M8, M10)
20477103	REV VLV WELD (M1, M6, M7, M12)
20477403	REV VLV WELD (M3, M9)
B1337701	SWITCH-PADDLE
20295708	THERMISTOR-DISCHARGE
20295706	THERMISTOR-INDOOR AMBIENT
20295707	THERMISTOR-INDOOR COIL
20295709	THERMISTOR-OUTDORR COIL
20512501	TRANSFORMER
B1378501	TRANSFORMER
11044101	WHEEL-BLOWER
20260805	WIRE-JUMPER BR34 (QTY 2)
10618849	WIRE-JUMPER GN1

Functional Parts

Part

No: **Description:**

SPECIAL PARTS

20517601 MANUAL-OWNERS (M1, M2, M3, M4, M5, M6)
20517603 MANUAL-OWNERS (M7, M8, M9, M10, M11, M12)
RP4220034 REPAIR PARTS MANUAL
RS4200003 SERVICE MANUAL
11046402 WARRANTY

Expanded Model Nomenclature

M1 - PTH123B35BG	P1255801R
M2 - PTH153B35BG	P1255802R
M3 - PTH073B25BG	P1255806R
M4 - PTH153B50BG	P1255807R
M5 - PTH093B25BG	P1255808R
M6 - PTH123B35JG	P1255901R
M7 - PTH123B35BK	P1255809R
M8 - PTH153B35BK	P1255810R
M9 - PTH073B25BK	P1255811R
M10 - PTH153B50BK	P1255812R
M11 - PTH093B25BK	P1255813R
M12 - PTH123B35JK	P1255902R

Front/Chassis

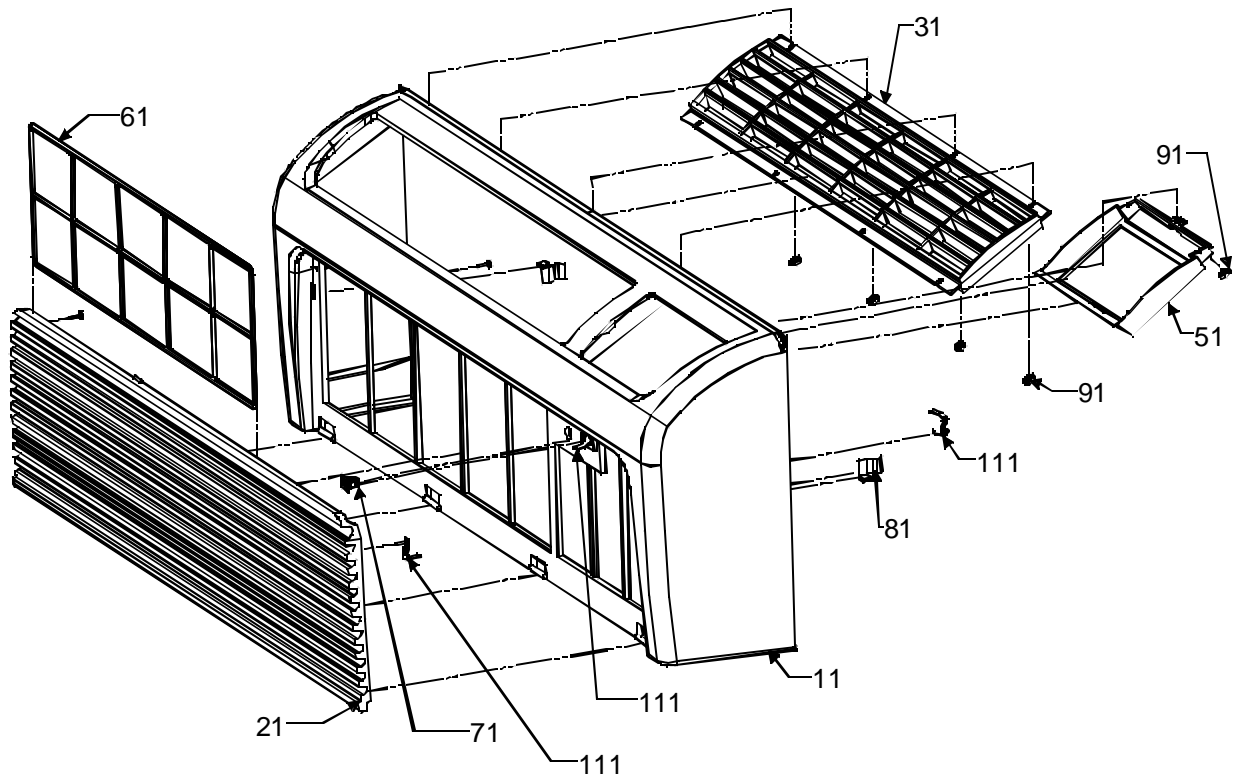
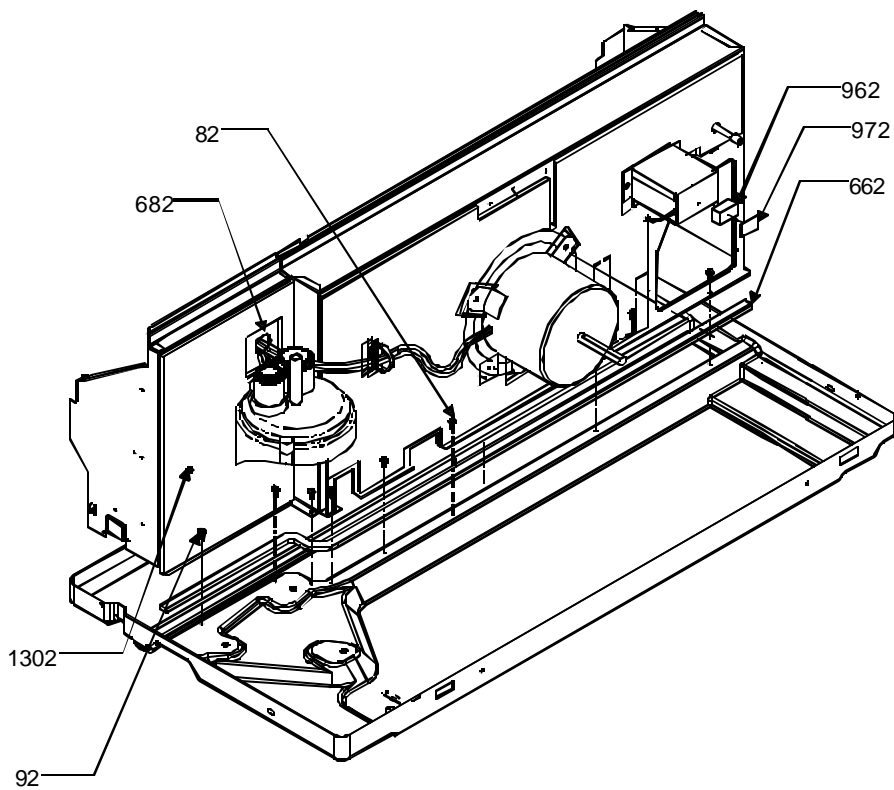


Image 1

Image 2



Front/Chassis

Ref. Part No:	Part No:	Description:	Ref. Part No:	Part No:	Description:
---------------	----------	--------------	---------------	----------	--------------

Image 1:

11	20415203	FRONT
21	20415402	GRILLE-INTAKE
31	20415301	GRILLE-EXHAUST
51	20415601	HOUSING,CONTROL
61	20415801	FILTER
71	10690002	DOOR CATCH ASSY
81	11045102	CLIP-SIDE (QTY 2)
91	M0293604	PALNUT (QTY 5)
111	20480501	RESTRAINT-INLET GRILL (QTY 2)
NS	20415501	DOOR-CONTROL

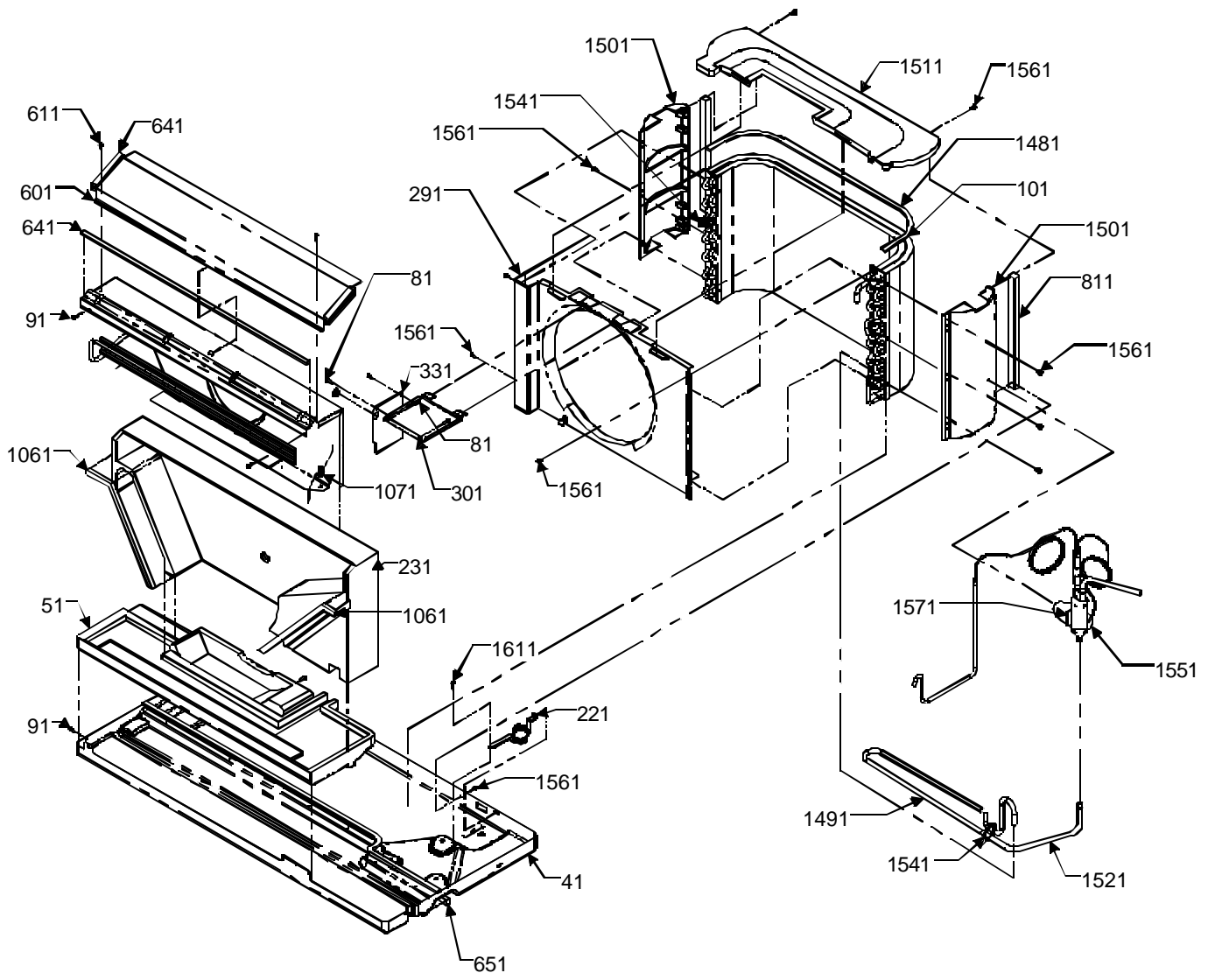
Image 2:

82	M0211216	SCREW-SM (QTY AR)
92	M0216716	SCREW-SM (QTY AR)
662	10839828	GASKET-.12X.50X43
682	M0275521	SEALER-PLASTIC (QTY 2)
962	11178201	INSUL
972	11178301	BUMPER
130	20417402	INSUL-PARTITION PNL (M1, M2, M3, M4, M5, M7, M8, M9, M10, M11)

Expanded Model Nomenclature

M1 - PTH123B35BG	P1255801R
M2 - PTH153B35BG	P1255802R
M3 - PTH073B25BG	P1255806R
M4 - PTH153B50BG	P1255807R
M5 - PTH093B25BG	P1255808R
M6 - PTH123B35JG	P1255901R
M7 - PTH123B35BK	P1255809R
M8 - PTH153B35BK	P1255810R
M9 - PTH073B25BK	P1255811R
M10 - PTH153B50BK	P1255812R
M11 - PTH093B25BK	P1255813R
M12 - PTH123B35JK	P1255902R

Chassis



Chassis

Ref. Part No:	Part No:	Description:	Ref. Part No:	Part No:	Description:
---------------	----------	--------------	---------------	----------	--------------

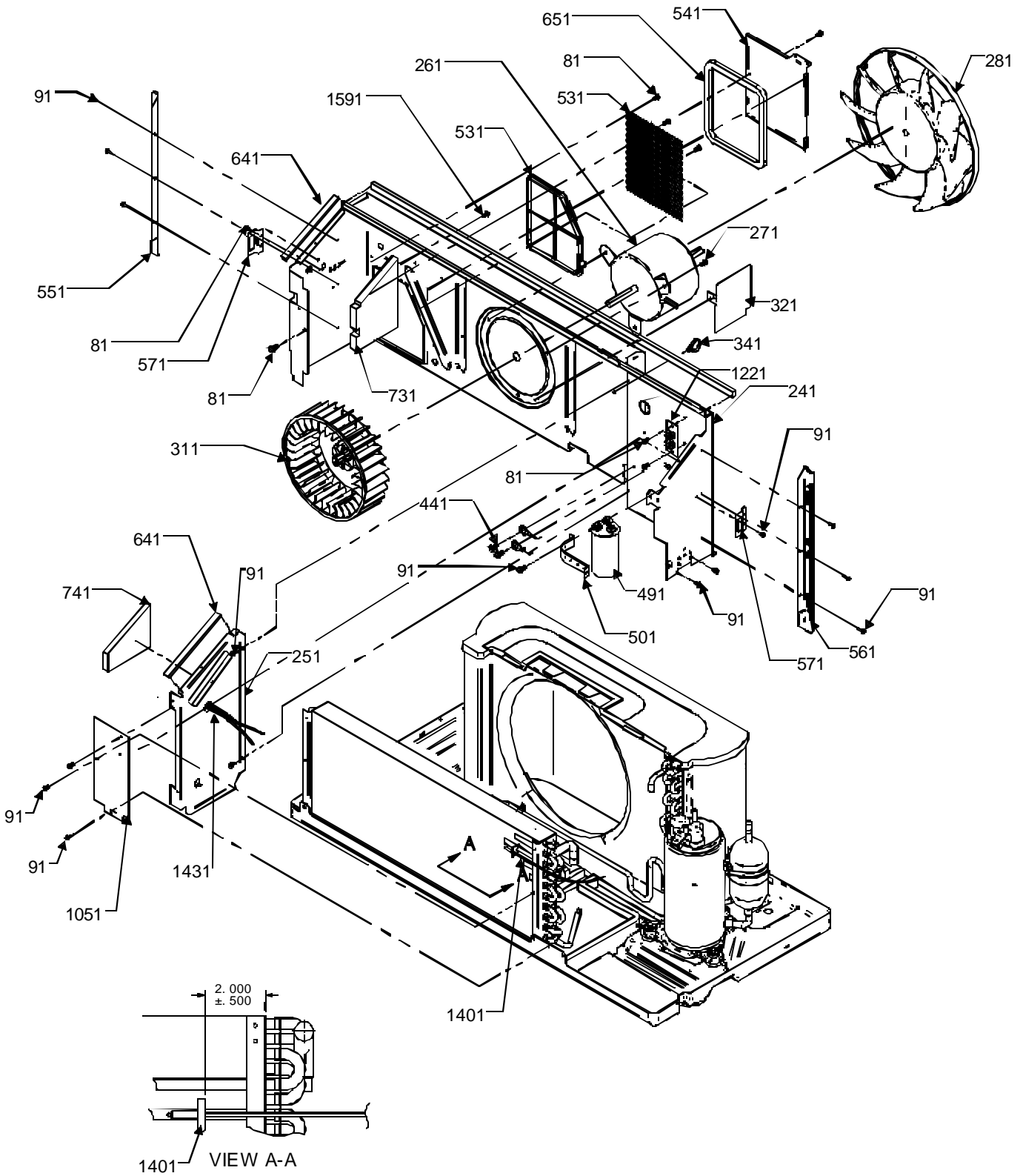
Image 1:

41	20403508	BASEPAN PNT
51	20403802	PAD-EVAPORATOR
81	M0211216	SCREW-SM (QTY AR)
91	M0216716	SCREW-SM (QTY AR)
101	20456603BND	CONDENSING ASSY (M3, M5, M9, M11)
101	20456604BND	CONDENSING ASSY (M1, M6, M7, M12)
101	20456605BND	CONDENSING ASSY (M2, M4, M8, M10)
221	20406303	VALVE-BASEPAN
231	20356702	SCROLL-BLOWER
291	20401301	SHROUD-COND
301	11044201	BRACE-TIE
331	20417702	BAFFLE-TOP PTC
601	11123911	SCREEN-PNT DISCH
611	M0204517	SCREW-SM STL ZINC (M1, M2, M3, M4, M5, M6)
641	20455902	GASKET .50X.25 (QTY 7)
651	10839808	GASKET-.37X.50 (QTY 3)
811	10839712	GASKET .62X.75 (M6, M12)
811	20455901	GASKET .62X.75 (M1, M2, M3, M4, M5, M7, M8, M9, M10, M11)
106	10839706	GASKET .50X.50 (QTY 2)
107	M0120801	CLIP-GUIDE
148	10839812	GASKET-.12X.50 (QTY 2)
149	20453901	TUBE-SUBCOOLER (M1, M5, M6, M7, M11, M12)
149	20474301	TUBE-SUBCOOLER (M2, M4)
149	20474302	TUBE-SUBCOOLER (M8, M10)
150	20357001	SIDE COVER-COND (QTY 2)
151	20396701	TOP COVER-CONDENSER
152	20477801	TUBE-V-SLIT (M1, M2, M4, M5, M6, M7, M8, M10, M11, M12)
154	M0321202	TIE-ELEC LG (QTY AR)
155	M0322201	TIE-ELEC
156	M0211018	SCREW-SM #8-5/8LG (QTY AR)
157	10839827	GASKET-CUT
161	91000801	SCREW

Expanded Model Nomenclature

M1 - PTH123B35BG	P1255801R
M2 - PTH153B35BG	P1255802R
M3 - PTH073B25BG	P1255806R
M4 - PTH153B50BG	P1255807R
M5 - PTH093B25BG	P1255808R
M6 - PTH123B35JG	P1255901R
M7 - PTH123B35BK	P1255809R
M8 - PTH153B35BK	P1255810R
M9 - PTH073B25BK	P1255811R
M10 - PTH153B50BK	P1255812R
M11 - PTH093B25BK	P1255813R
M12 - PTH123B35JK	P1255902R

Chassis



Chassis

Ref. Part No:	Ref. Part No:	Description:	Description:
---------------	---------------	--------------	--------------

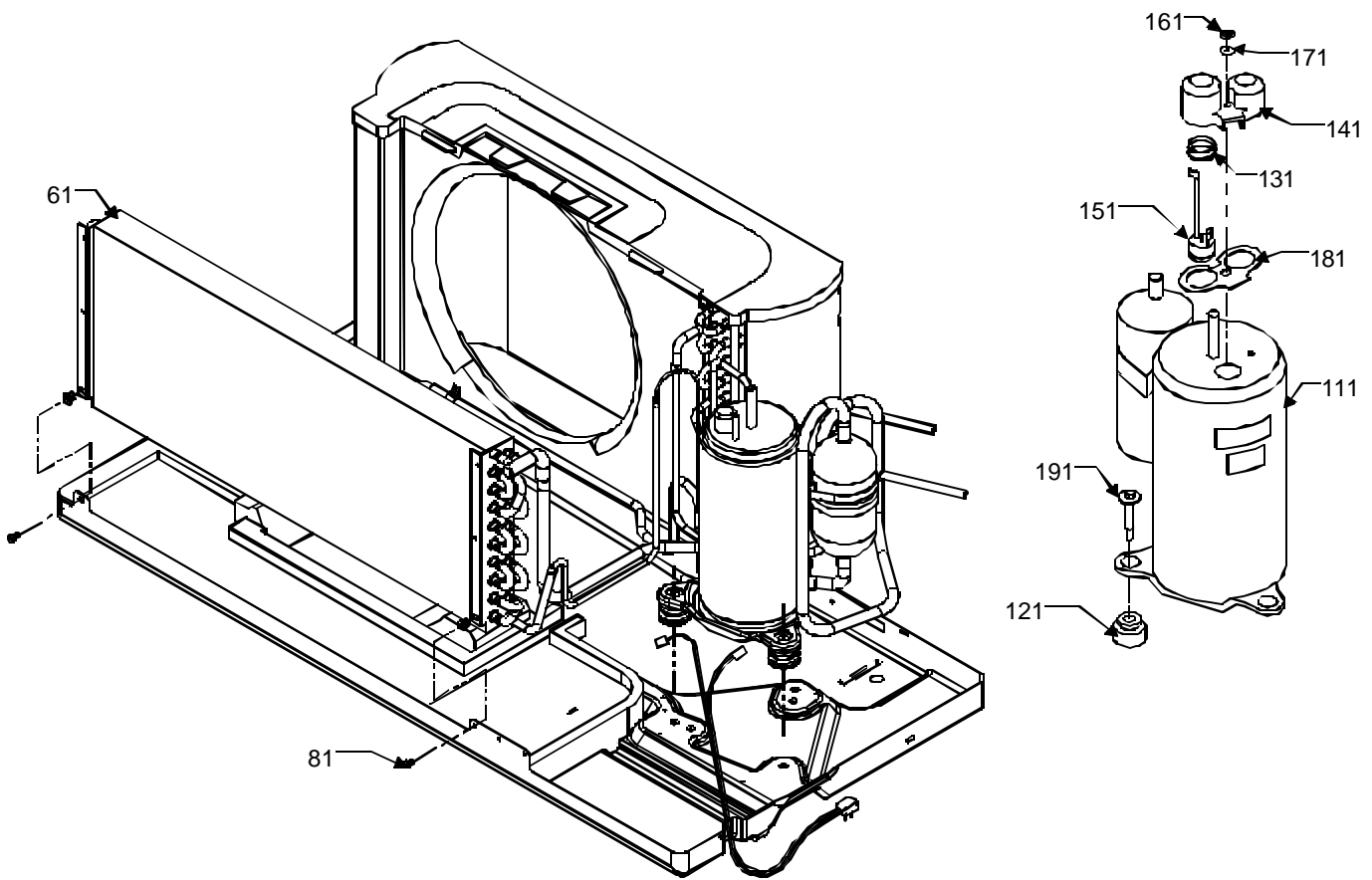
Image 1:

81	M0211216	SCREW-SM (QTY AR)
91	M0216716	SCREW-SM (QTY AR)
241	20403105	PANEL-PTN PNT
251	20403302	PANEL-MID PTN
261	11114907	MOTOR-FAN (M3, M5, M9, M11)
261	11114909	MOTOR-FAN (M1, M2, M4, M6, M7, M8, M10, M12)
271	M0224956	SCREW-TAP R (QTY 3)
281	20414601	FAN-PL. COND.
311	11044101	WHEEL-BLOWER
321	20480902	BAFFLE-COND INLT PT
341	M0118702	CLIP-GUIDE
441	M0227803	SCREW-TC (QTY 2)
491	D6789051	CAPACITOR (M1, M6, M7, M12)
491	D6789049	CAPACITOR-POLY (M2, M4, M8, M10)
491	D6789054	CAPACITOR-ROUND (M3, M5, M11)
501	C6300502	STRAP-CAPACITOR
531	20304003	SHIELD-PROTECTION
541	11046105	DOOR-VENT
551	20416201	SEAL-L SIDE
561	20416101	SEAL-R SIDE
571	11191703	BRKT-PART PAN (QTY 2)
641	20455902	GASKET .50X.25 (QTY 7)
651	10839808	GASKET-.37X.50 (QTY 3)
731	11122901	INSUL-LEFT
741	11123001	INSUL-RIGHT
105	20410801	COVER-ACCESS
122	B1160701	BOARD-TERM
140	20295706	THERMISTOR-INDOOR AMBIENT
143	20295707	THERMISTOR-INDOOR COIL
159	M0211016	SCREW-SM #8-3/8LG (QTY AR)

Expanded Model Nomenclature

M1 - PTH123B35BG	P1255801R
M2 - PTH153B35BG	P1255802R
M3 - PTH073B25BG	P1255806R
M4 - PTH153B50BG	P1255807R
M5 - PTH093B25BG	P1255808R
M6 - PTH123B35JG	P1255901R
M7 - PTH123B35BK	P1255809R
M8 - PTH153B35BK	P1255810R
M9 - PTH073B25BK	P1255811R
M10 - PTH153B50BK	P1255812R
M11 - PTH093B25BK	P1255813R
M12 - PTH123B35JK	P1255902R

Evaporator\Compressor



Evaporator\Compressor

Ref. Part No:	Part No:	Description:	Ref. Part No:	Part No:	Description:
---------------	----------	--------------	---------------	----------	--------------

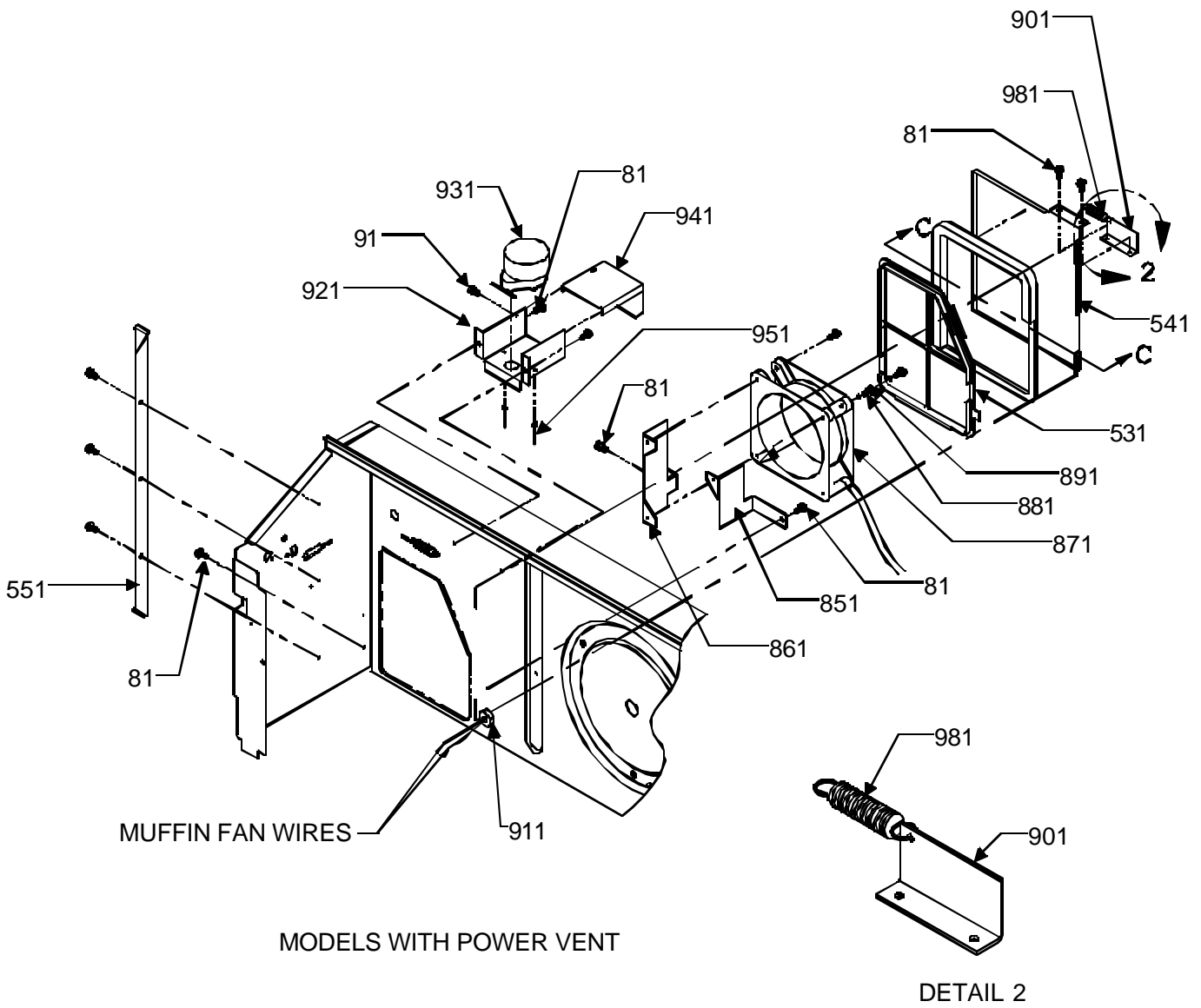
Image 1:

61	20456702	EVAPORATOR ASSY (M1, M2, M4, M6, M7, M8, M10, M12)
61	20457202	EVAPORATOR ASSY (M5, M11)
61	20473902	EVAPORATOR ASSY (M3, M9)
81	M0211216	SCREW-SM (QTY AR)
111	D6926123H	COMP-PN 2K21T236A (M2, M4, M8, M10)
111	D6985807H	COMP-PN 2P17S3R236A (M1, M6, M7, M12)
111	D6887711H	COMP-PN 2R13S3R236A (M5, M11)
111	D6887715H	COMP-PN 2R9U236A6A (M3, M9)
121	A3448602	GROMMET (M1, M2, M4, M6, M7, M8, M10, M12)
121	A4622801	GROMMET (M3, M5, M9, M11)
131	A3436901	SPRING-OVERLOAD (M1, M2, M3, M4, M5, M6, M7, M9, M11, M12)
141	10329001	COVER-TERM
151	D4976682	OVERLOAD (M2, M4)
151	D6961612	OVERLOAD (M1, M6, M7, M12)
151	D6961636	OVERLOAD (M3, M9)
151	D6961639	OVERLOAD (M5, M11)
161	A3436601	NUT-TERM COVER
171	A3436801	GASKET-NUT
181	A3436701	GASKET-TERM COVER
191	M0253610	SCREW-SHLDR (M1, M2, M4, M6, M7, M8, M10, M12)
191	M0253661	SCREW-SHLDR (M3, M5, M9, M11)

Expanded Model Nomenclature

M1 - PTH123B35BG	P1255801R
M2 - PTH153B35BG	P1255802R
M3 - PTH073B25BG	P1255806R
M4 - PTH153B50BG	P1255807R
M5 - PTH093B25BG	P1255808R
M6 - PTH123B35JG	P1255901R
M7 - PTH123B35BK	P1255809R
M8 - PTH153B35BK	P1255810R
M9 - PTH073B25BK	P1255811R
M10 - PTH153B50BK	P1255812R
M11 - PTH093B25BK	P1255813R
M12 - PTH123B35JK	P1255902R

Power Vent



Power Vent

Ref. Part No:	Part No:	Description:	Ref. Part No:	Part No:	Description:
---------------	----------	--------------	---------------	----------	--------------

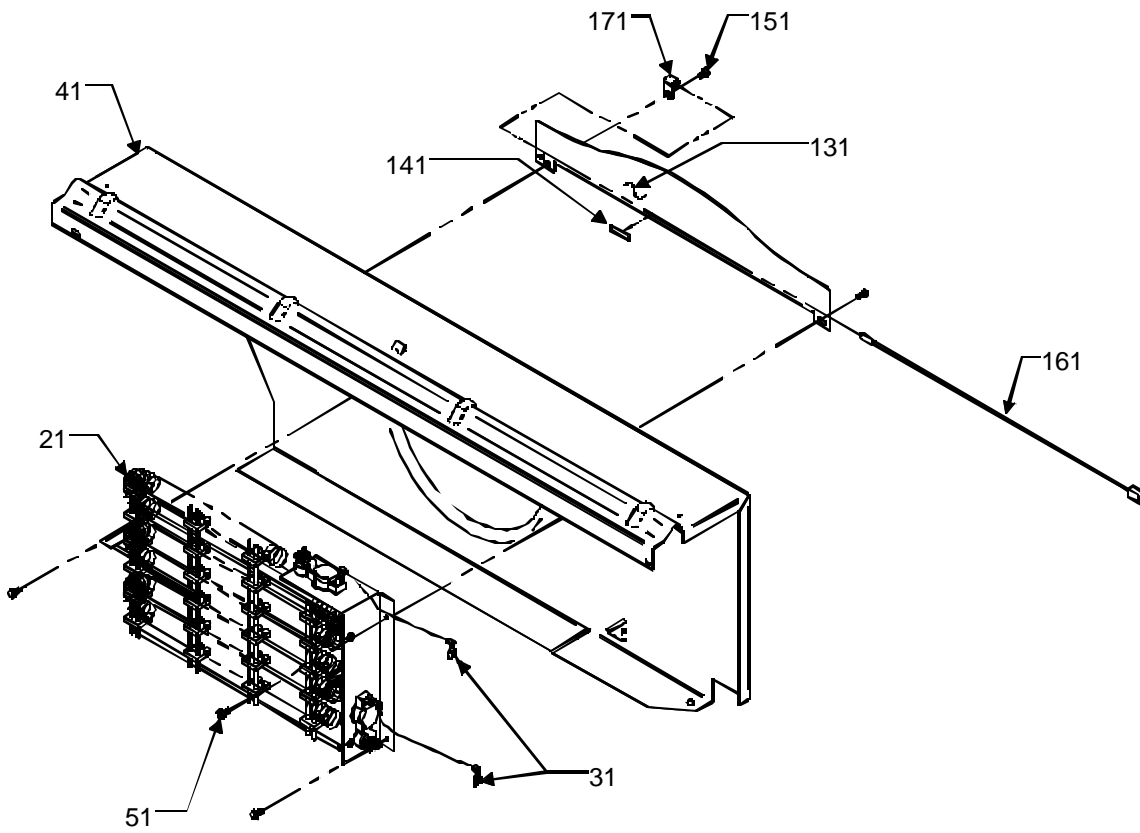
Image 1:

81	M0211216	SCREW-SM (QTY AR)
91	M0216716	SCREW-SM (QTY AR)
531	20304003	SHIELD-PROTECTION
541	11046105	DOOR-VENT
551	20416201	SEAL-L SIDE
851	11135801	BRKT-R FAN (M1, M2, M3, M4, M5, M7, M8, M9, M10, M11)
861	11145801	BRKT-L FAN (M1, M2, M3, M4, M5, M7, M8, M9, M10, M11)
871	11149201	FAN-MUFFIN (M1, M2, M3, M4, M5, M7, M8, M9, M10, M11)
881	M0272802	WASHER-LOCK (M1, M2, M3, M4, M5, M7, M8, M9, M10, M11)
891	M0211011	SCREW-SM (M1, M2, M3, M4, M5, M7, M8, M9, M10, M11)
901	11166301	BRKT-PWR VENT
911	M0370005	RELIEF-STRAIN (M1, M2, M3, M4, M5, M7, M8, M9, M10, M11)
921	11166101	BRKT-MOTOR
931	11172801	MOTOR
941	11166201	BRKT-COVER
951	A4539606	RIVET-POP (QTY 2)
981	11166401	SPRING-EXTENSION

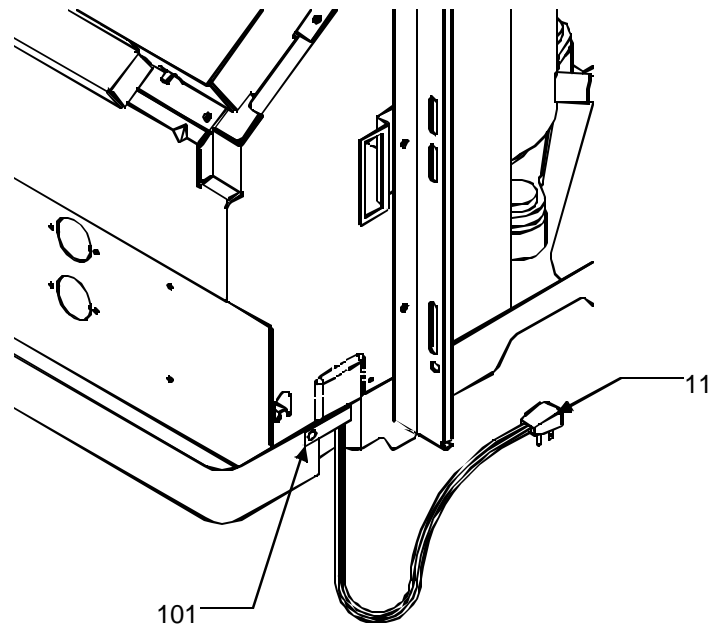
Expanded Model Nomenclature

M1 - PTH123B35BG	P1255801R
M2 - PTH153B35BG	P1255802R
M3 - PTH073B25BG	P1255806R
M4 - PTH153B50BG	P1255807R
M5 - PTH093B25BG	P1255808R
M6 - PTH123B35JG	P1255901R
M7 - PTH123B35BK	P1255809R
M8 - PTH153B35BK	P1255810R
M9 - PTH073B25BK	P1255811R
M10 - PTH153B50BK	P1255812R
M11 - PTH093B25BK	P1255813R
M12 - PTH123B35JK	P1255902R

Heater Assembly/Cord



SINGLE STAGE HEAT



Heater Assembly/Cord

Ref. Part No:	Part No:	Description:	Ref. Part No:	Part No:	Description:
---------------	----------	--------------	---------------	----------	--------------

Image 1:

11	22309901	CORD-230V 15AMP (M9, M11)
11	22309902	CORD-230V 20AMP (M7, M8, M12)
11	22309903	CORD-230V 30AMP (M10)
11	11114401	CORD-250V 15A (M3, M5)
11	11114501	CORD-250V 20A (M1, M2, M6)
11	11114601	CORD-250V 30A (M4)
21	20517901	HTR 3 2.5KW ASSY (M3, M5, M9, M11)
21	20517902	HTR 3 3.5KW ASSY (M1, M2, M6, M7, M8, M12)
21	20517903	HTR 3 5.0KW ASSY (M4, M10)
31	20260805	WIRE-JUMPER BR34 (QTY 2)
41	20364804	INTAKE-BLOWER
51	M0216716	SCREW-SM (QTY 4)
101	M0103906	CLAMP-SPEED
131	20515304	BLOWER-INTAKE
141	10839722	GASKET .25X.06
151	M0216529	SCREW-SM
161	20295708	THERMISTOR-DISCHARGE
171	BT1392310	PLASTIC CLAMP, .187

Expanded Model Nomenclature

M1 - PTH123B35BG	P1255801R
M2 - PTH153B35BG	P1255802R
M3 - PTH073B25BG	P1255806R
M4 - PTH153B50BG	P1255807R
M5 - PTH093B25BG	P1255808R
M6 - PTH123B35JG	P1255901R
M7 - PTH123B35BK	P1255809R
M8 - PTH153B35BK	P1255810R
M9 - PTH073B25BK	P1255811R
M10 - PTH153B50BK	P1255812R
M11 - PTH093B25BK	P1255813R
M12 - PTH123B35JK	P1255902R

Control Panel

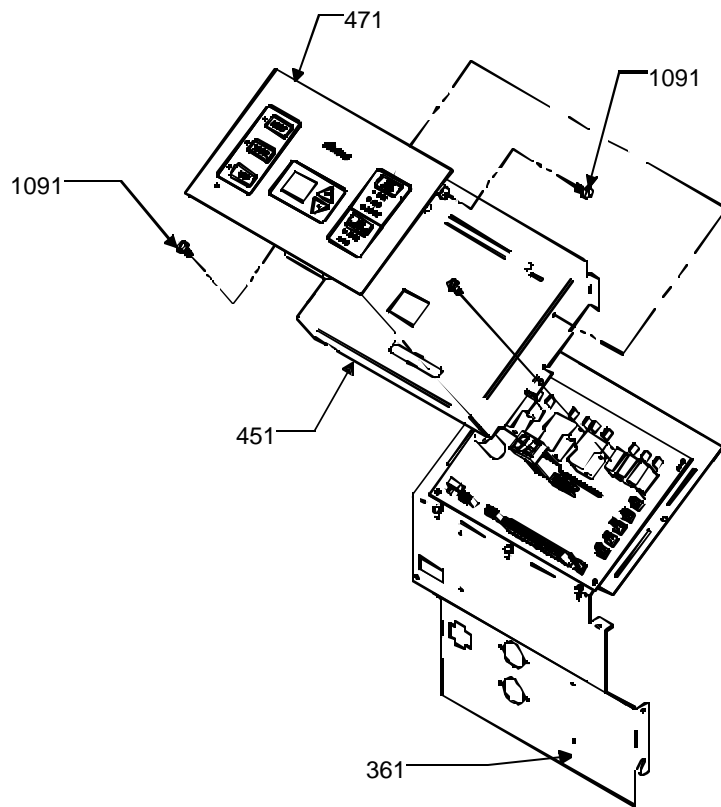
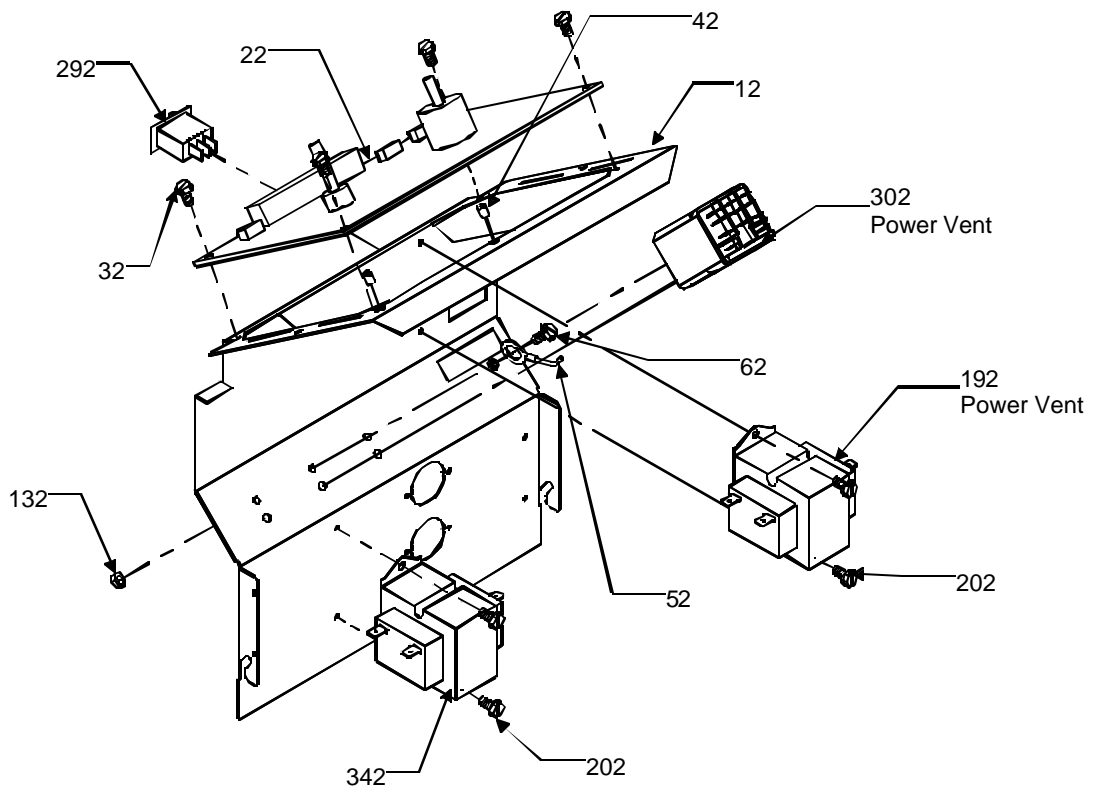


Image 1

Image 2



Control Panel

Ref. Part No: No:	Description:	Ref. Part No: No:	Description:
-------------------	--------------	-------------------	--------------

Image 1:

131	M0282005	NUT-KEPS
361	20517301	CONT PANEL ASSY
451	20514901	COVER-CONT PNL
471	20515201	MEMBRANE-(CONTROL)
109	M0216529	SCREW-SM (QTY 4)

Image 2:

12	11044505	PANEL-CONTROL
22	20515101	PC BOARD
32	M0216529	SCREW-SM (QTY 4)
42	M0590702	SUPPORT (QTY 2)
52	10618849	WIRE-JUMPER GN1
62	M0227803	SCREW-TC
192	B1378501	TRANSFORMER
202	M0216716	SCREW-SM (QTY 4)
292	B1337701	SWITCH-PADDLE
302	C8873932	RELAY
342	20512501	TRANSFORMER

Expanded Model Nomenclature

M1 - PTH123B35BG	P1255801R
M2 - PTH153B35BG	P1255802R
M3 - PTH073B25BG	P1255806R
M4 - PTH153B50BG	P1255807R
M5 - PTH093B25BG	P1255808R
M6 - PTH123B35JG	P1255901R
M7 - PTH123B35BK	P1255809R
M8 - PTH153B35BK	P1255810R
M9 - PTH073B25BK	P1255811R
M10 - PTH153B50BK	P1255812R
M11 - PTH093B25BK	P1255813R
M12 - PTH123B35JK	P1255902R

Capillary Weldment/Reversing Valves

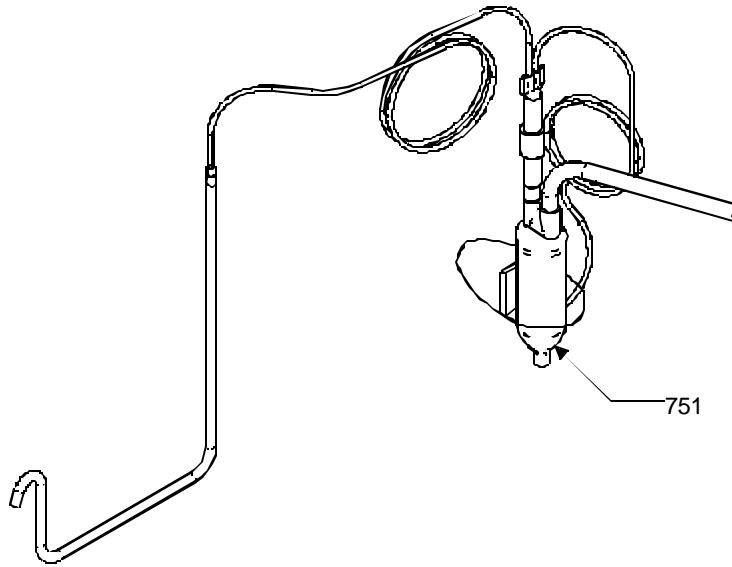


Image 1

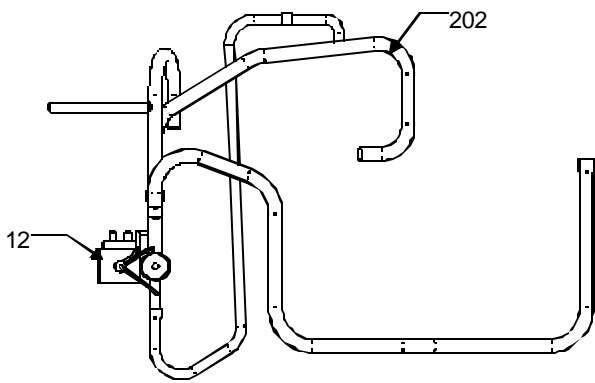


Image 2

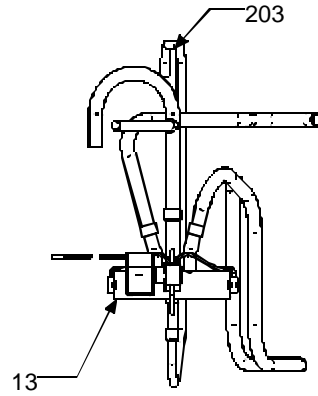


Image 3

Image 4

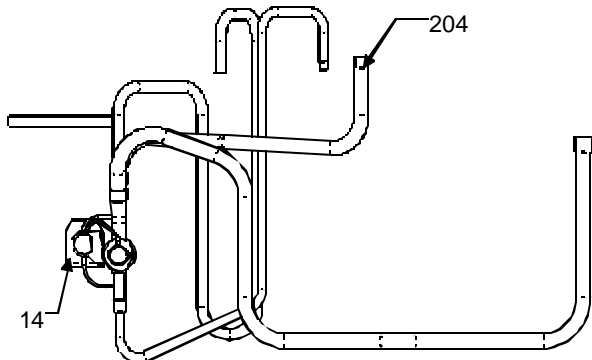
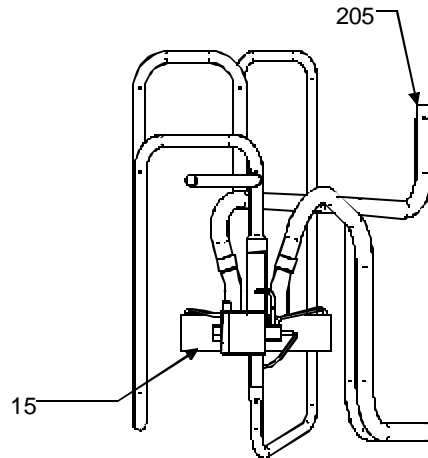


Image 5



Capillary Weldment/Reversing Valves

Ref. Part No:	Part No:	Description:	Ref. Part No:	Part No:	Description:
---------------	----------	--------------	---------------	----------	--------------

Image 1:

751	20284919	CAPILLARY TUBING ASSY (M3, M9)
751	20284920	CAPILLARY TUBING ASSY (M5, M11)
751	20284921	CAPILLARY TUBING ASSY (M1, M6, M7, M12)
751	20284922	CAPILLARY TUBING ASSY (M2, M4, M8, M10)

Image 2:

12	20365801	REV VALVE ASSY (M2, M4, M8, M10)
202	20474403	REV VLV WELD (M2, M4, M8, M10)

Image 3:

13	20365801	REV VALVE ASSY (M1, M6, M7, M12)
203	20477103	REV VLV WELD (M1, M6, M7, M12)

Image 4:

14	20365801	REV VALVE ASSY (M5, M11)
204	20477003	REV VLV WELD (M5, M11)

Image 5:

15	20365801	REV VALVE ASSY (M3, M9)
205	20477403	REV VLV WELD (M3, M9)

Expanded Model Nomenclature

M1 - PTH123B35BG	P1255801R
M2 - PTH153B35BG	P1255802R
M3 - PTH073B25BG	P1255806R
M4 - PTH153B50BG	P1255807R
M5 - PTH093B25BG	P1255808R
M6 - PTH123B35JG	P1255901R
M7 - PTH123B35BK	P1255809R
M8 - PTH153B35BK	P1255810R
M9 - PTH073B25BK	P1255811R
M10 - PTH153B50BK	P1255812R
M11 - PTH093B25BK	P1255813R
M12 - PTH123B35JK	P1255902R