

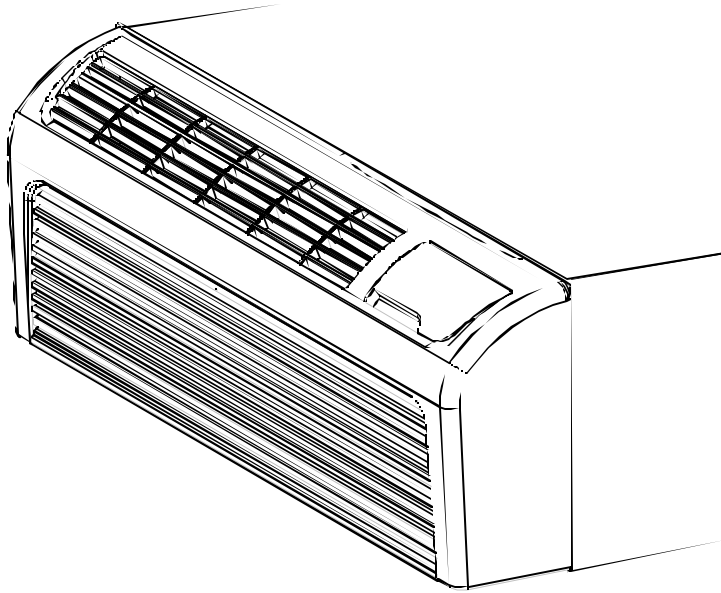
Models and manufacturing
numbers in this manual

PTC094B35BG	P1255805R
PTC124B35BG	P1255804R
PTC154B50BG	P1255803R

Service Parts

PTC*BG Package Terminal Air Conditioner w/ Power Vent

This manual is to be used by qualified appliance technicians only.



Heating & Air Conditioning
Amana
LASTS AND LASTS AND LASTS.™

Amana is a trademark of Maytag Corporation and used under
license to Goodman Company, L.P. All rights reserved.

RP4210039
Revision 0
May 2004

Copyright © 2004 Goodman Company, L.P.

Important Information

Goodman Company, L.P. is not responsible for personal injury or property damage resulting from improper service. Review all service information before beginning repairs.

Warranty service must be performed by an authorized technician, using authorized factory parts. If service is required after the warranty expires, Goodman Company, L.P. also recommends contacting an authorized technician and using authorized factory parts.

For assistance within the U.S.A. contact:

Consumer Affairs Department
Goodman Company, L.P.
7401 Security Way
Houston, Texas 77040
877-254-4729-Telephone
713-863-2382-Facsimile

For assistance outside the U.S.A. contact:

International Division
Goodman Company, L.P.
7401 Security Way
Houston, Texas 77040
713-861-2500-Telephone
713-863-2382-Facsimile

Index

Functional Parts List	5
Illustration and Parts	6 - 19

Views shown are for parts illustrations only, not servicing procedures.

Text Codes:

AR - As Required

NA - Not Available

NS - Not Shown

00000000 - See Note

QTY - Quantity Example (QTY 3) (If Quantity not shown, Quantity = 1)

M - Model Example (M1) (If M Code not shown, then part is used on all Models)

Expanded Model Nomenclature:

Example	
M1 - Model#1	P _____
M2 - Model#2	P _____
M3 - Model#3	P _____

This page left blank intentionally.

Functional Parts

Part

No: Description:

B1160701	BOARD-TERM (M2, M3)
D6789025	CAPACITOR-METAL (M1)
D6789060	CAPACITOR-ROUND (M2)
D6789063	CAPACITOR-ROUND (M3)
D6926124	COMP 2K21T276A-UA (M1)
D6985810	COMP-PN 2P17S3R276A (M2)
D6887712	COMP-PN 2R13S3R276A (M3)
20456602	CONDENSOR ASSY (M1, M2)
20456603	CONDENSOR ASSY (M3)
20456702	EVAPORATOR ASSY (M1, M2)
20457202	EVAPORATOR ASSY (M3)
20414601	FAN-PL. COND.
A3410403	FUSE-20A (M2, M3)
A3410404	FUSE-25 AMP (M1)
20517905	HTR 4 3.5KW ASSY (M2, M3)
20517906	HTR 4 5.0KW ASSY (M1)
11172801	MOTOR
11114910	MOTOR-FAN (M1, M2)
11114908	MOTOR-FAN (M3)
20515101	PC BOARD
C8873932	RELAY
B1337701	SWITCH-PADDLE
20295706	THERMISTOR
20295706	THERMISTOR
20295708	THERMISTOR
20295707	THERMISTOR
20512501	TRANSFORMER
11172101	TRANSFORMER
11044101	WHEEL-BLOWER

SPECIAL PARTS

20517601	MANUAL-OWNERS
RP4210039	PARTS MANUAL
RS4200003	SERVICE MANUAL
11046402	WARRANTY

Expanded Model Nomenclature

M1 - PTC154B50BG	P1255803R
M2 - PTC124B35BG	P1255804R
M3 - PTC094B35BG	P1255805R

Front/Chassis

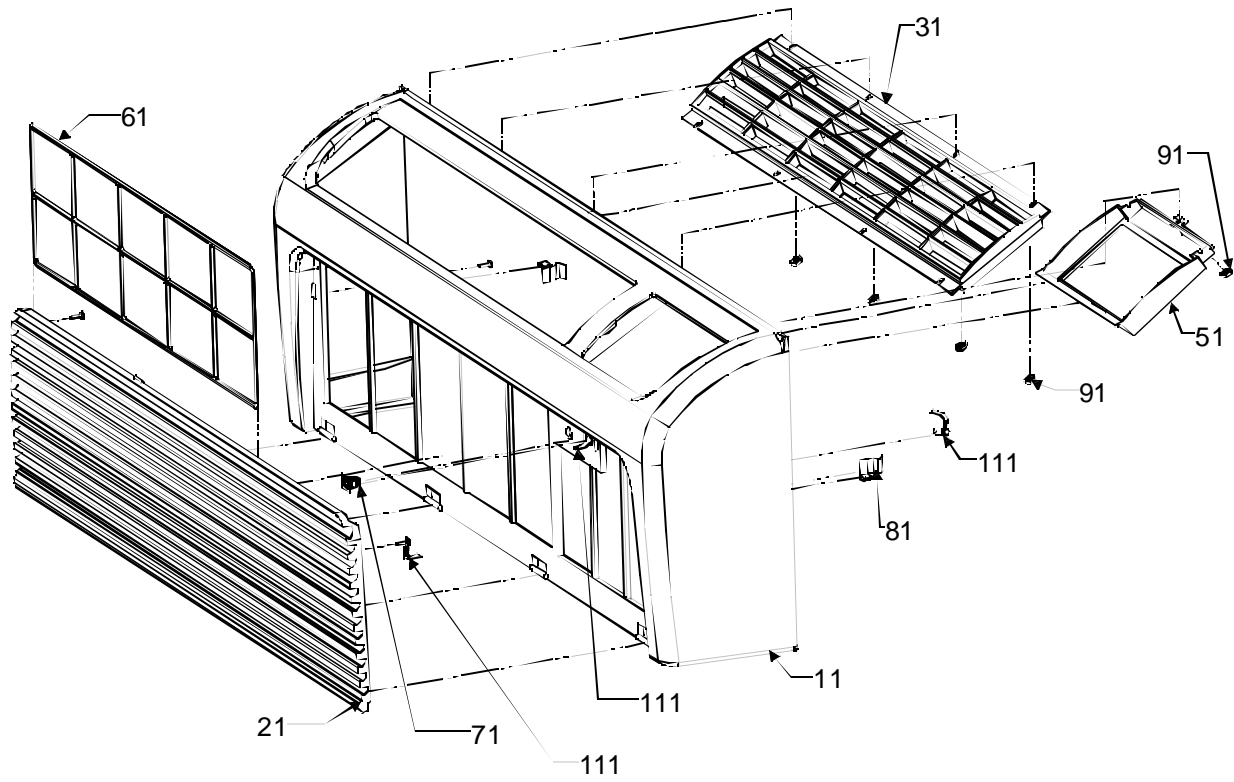
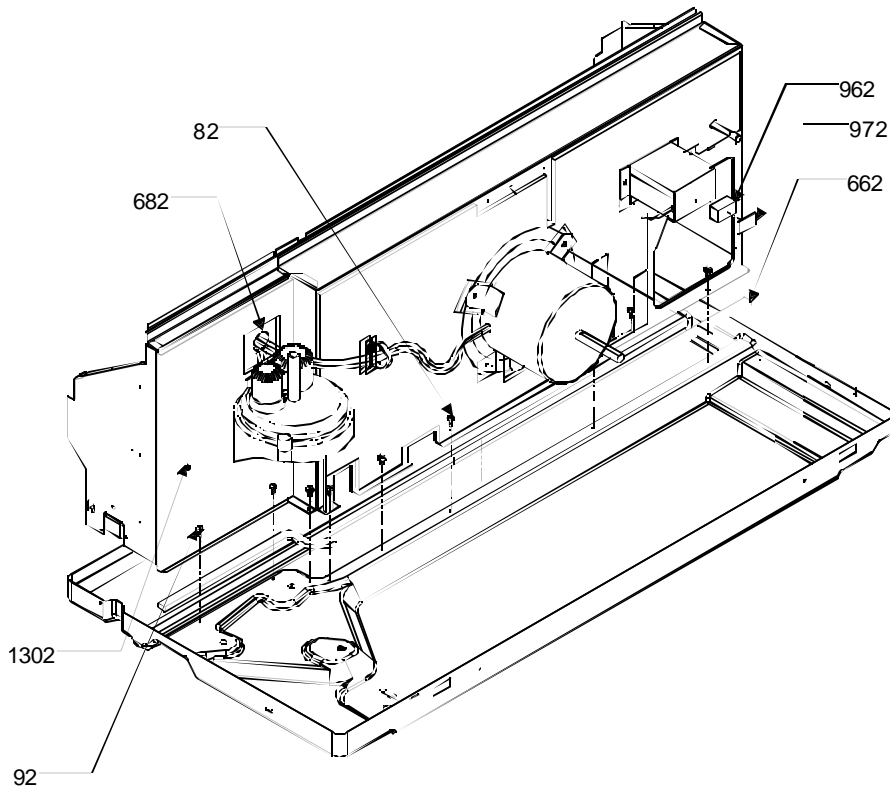


Image 1

Image 2



Front/Chassis

Ref. Part No:	Ref. Part No:	Description:	Description:
---------------	---------------	--------------	--------------

Image 1:

11	20415201	FRONT
21	20415402	GRILLE-INTAKE
31	20415301	GRILLE-EXHAUST
51	20415601	HOUSING,CONTROL
61	20415801	FILTER
71	10690002	DOOR CATCH ASSY
81	11045102	CLIP-SIDE (QTY 2)
91	M0293604	PALNUT (QTY 5)
111	20480501	RESTRAINT-INLET (QTY 2)
NS	20415501	DOOR-CONTROL

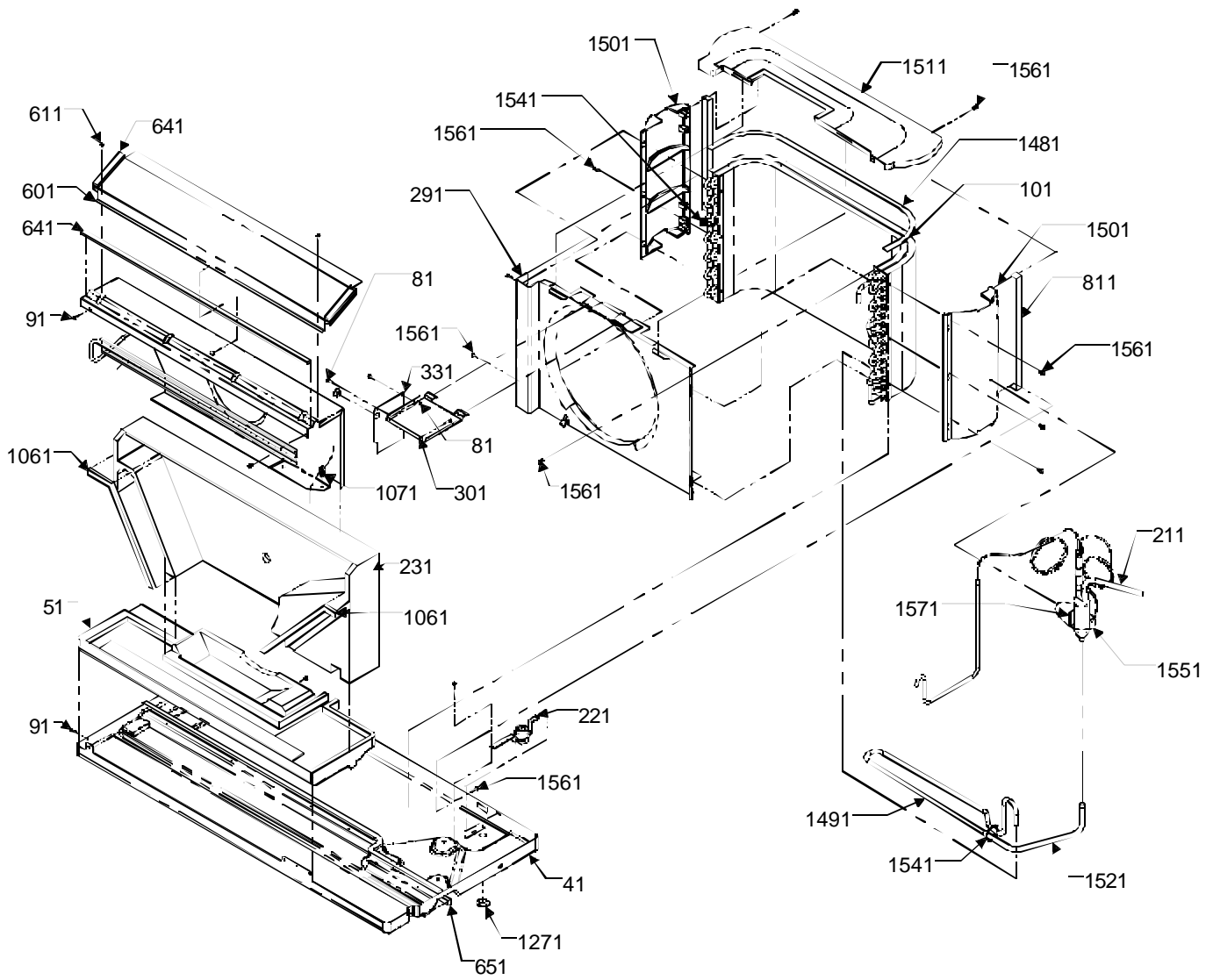
Image 2:

82	M0211216	SCREW-SM (QTY AR)
92	M0216716	SCREW-SM (QTY AR)
662	10839828	GASKET-.12X.50X43
682	M0275521	SEALER-PLASTIC (QTY 2)
962	11178201	INSUL
972	11178301	BUMPER PTC
1302	20417402	INSUL-PARTITION PNL

Expanded Model Nomenclature

M1 - PTC154B50BG	P1255803R
M2 - PTC124B35BG	P1255804R
M3 - PTC094B35BG	P1255805R

Chassis



Chassis

Ref. Part No:	Ref. Part No:	Description:	Description:
---------------	---------------	--------------	--------------

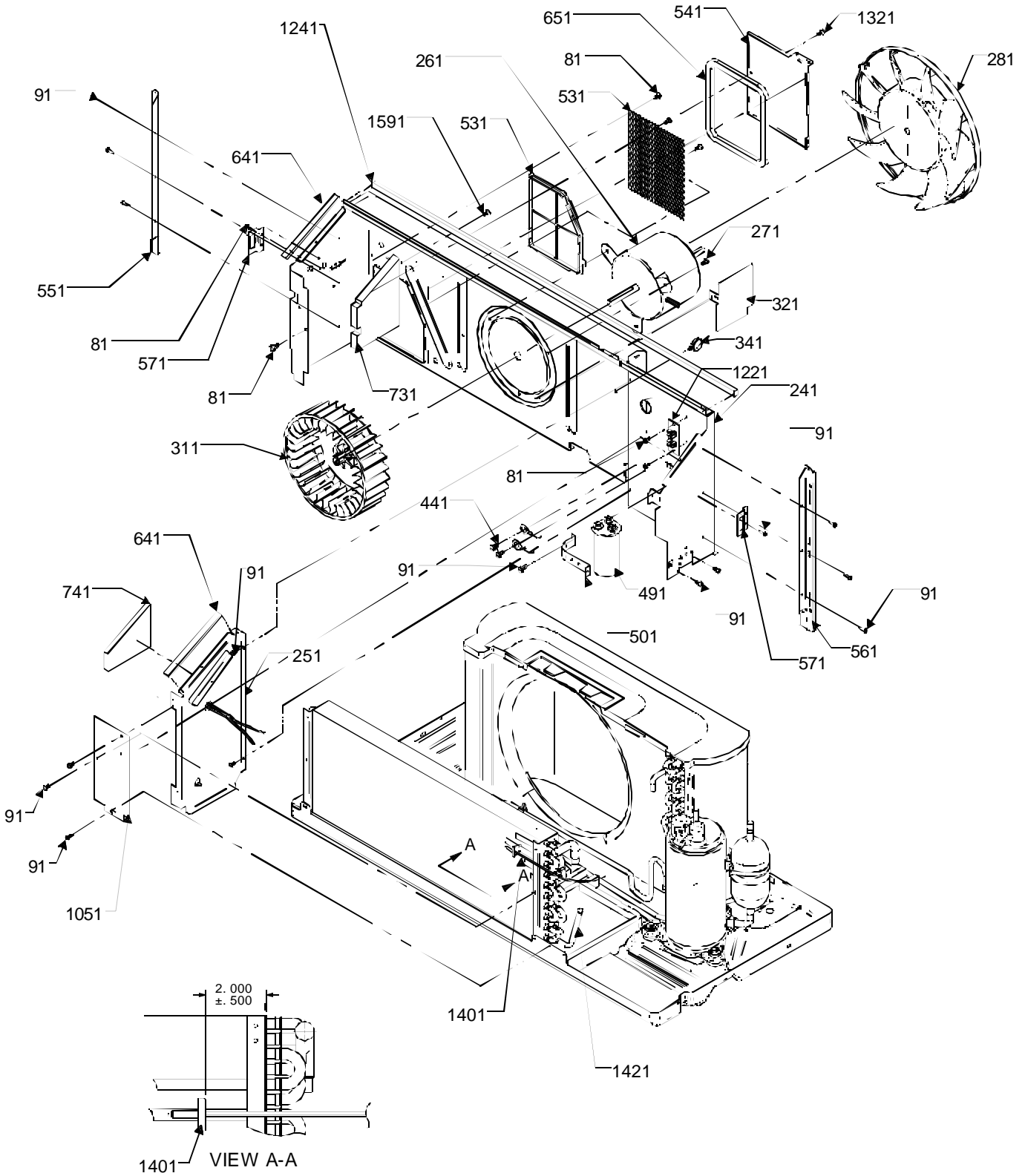
Image 1:

41	20403507	BASEPAN PNT
51	20403802	PAD-EVAP
81	M0211216	SCREW-SM (QTY AR)
91	M0216716	SCREW-SM (QTY AR)
101	20456602	CONDENSOR ASSY (M1, M2)
101	20456603	CONDENSOR ASSY (M3)
211	20417302	TUBE WELD-SUCT (M2)
211	20466602	TUBE WELD-SUCT (M1)
211	20469002	TUBE WELD-SUCT (M3)
221	M0570805	PLUG-BUTTON
231	20356702	SCROLL-BLOWER
291	20401301	SHROUD-COND
301	11044201	BRACE-TIE
331	20417701	BAFFLE-TOP
601	11123904	SCREEN-PNT DISCH PT
611	M0204517	SCREW-SM STL ZINC (QTY 2)
641	20455902	GASKET .50X.25 NI (QTY 7)
651	10839808	GASKET-.37X.50 (QTY 3)
811	20455901	GASKET .62X.75 NI (QTY 2)
1061	10839706	GASKET .50X.50 (QTY 2)
1071	M0120801	CLIP-GUIDE
1481	10839812	GASKET-.12X.50 (QTY 2)
1491	20453901	TUBE-SUBCOOLER
1501	20357001	SIDE COVER-COND (QTY 2)
1511	20396701	TOP COVER-COND
1521	20477801	TUBE-V-SLIT
1541	M0321202	TIE-ELEC LG (QTY 3)
1551	M0322201	TIE-ELEC
1561	M0211018	SCREW-SM #8-5/8LG (QTY AR)
1571	10839827	GASKET-CUT

Expanded Model Nomenclature

M1 - PTC154B50BG	P1255803R
M2 - PTC124B35BG	P1255804R
M3 - PTC094B35BG	P1255805R

Chassis



Chassis

Ref. Part No:	Ref. Part No:	Description:	Description:
---------------	---------------	--------------	--------------

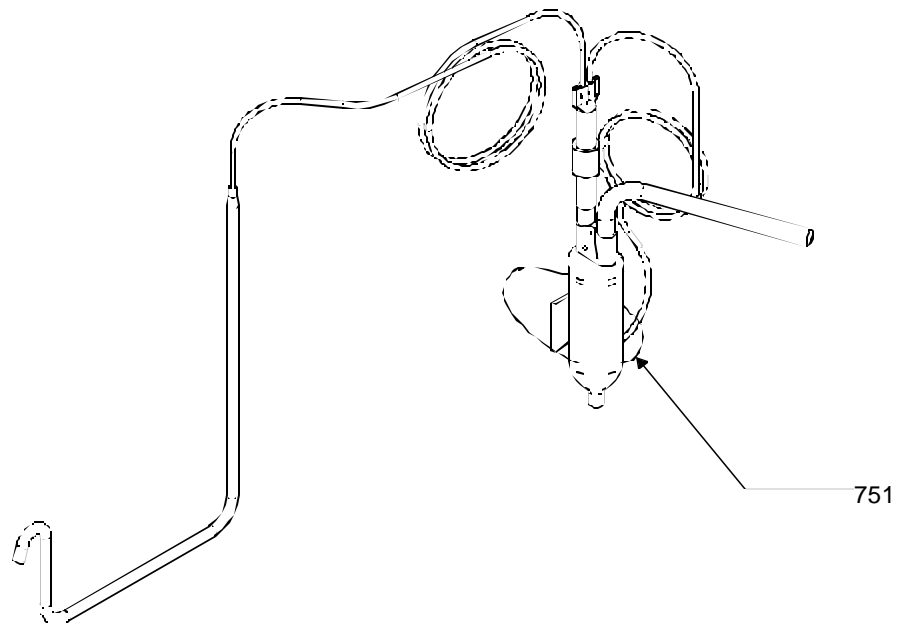
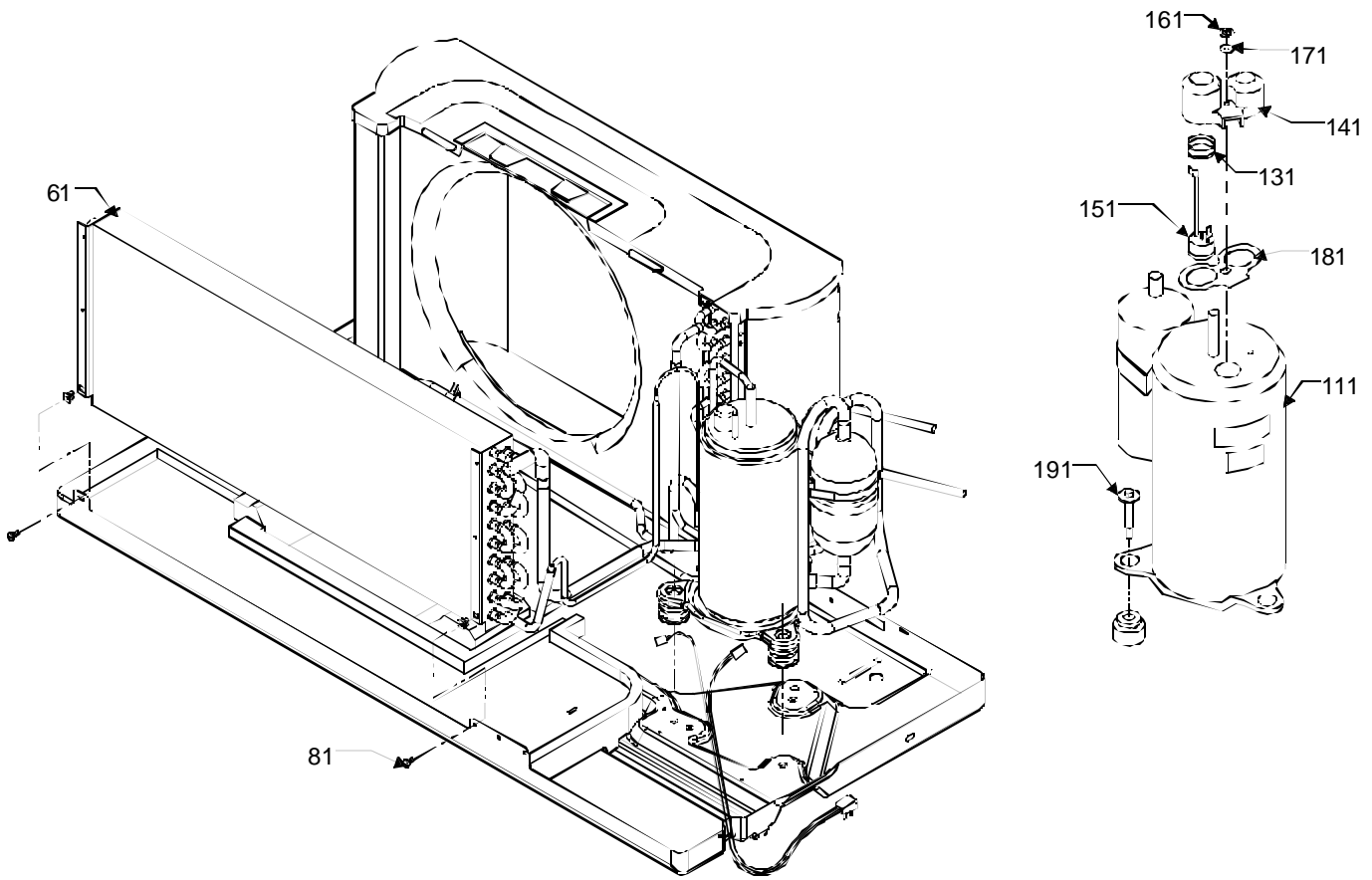
Image 1:

81	M0211216	SCREW-SM (QTY AR)
91	M0216716	SCREW-SM (QTY AR)
241	20403104	PANEL-PTN PNT
251	20403302	PANEL-MID PTN
261	11114908	MOTOR-FAN (M3)
261	11114910	MOTOR-FAN (M1, M2)
271	M0224956	SCREW-TAP R (QTY 3)
281	20414601	FAN-PL. COND.
311	11044101	WHEEL-BLOWER
321	20480901	BAFFLE-COND INLT PT
341	M0118702	CLIP-GUIDE
441	M0227803	SCREW-TC (QTY 2)
491	D6789025	CAPACITOR-METAL (M1)
491	D6789060	CAPACITOR-ROUND (M2)
491	D6789063	CAPACITOR-ROUND (M3)
501	C6300502	STRAP-CAPACITOR (M2, M3)
501	C6300503	STRAP-CAPACITOR (M1)
531	20304003	SHIELD-PROTECTION
541	11046105	DOOR-VENT
551	20416201	SEAL-L SIDE
561	20416101	SEAL-R SIDE
571	11191703	BRKT-PART PAN (QTY 2)
641	20455902	GASKET .50X.25 NI (QTY 7)
651	10839808	GASKET-.37X.50 (QTY 3)
731	11122901	INSUL-LEFT
741	11123001	INSUL-RIGHT
1051	20410801	COVER-ACCESS
1221	B1160701	BOARD-TERM (M2, M3)
1241	10839807	GASKET-.37X.75 (QTY 3)
1401	20295706	THERMISTOR
1421	20295707	THERMISTOR
1591	M0211016	SCREW-SM #8-3/8LG

Expanded Model Nomenclature

M1 - PTC154B50BG	P1255803R
M2 - PTC124B35BG	P1255804R
M3 - PTC094B35BG	P1255805R

Compressor/Tubing



Compressor/Tubing

Ref. Part No:	Ref. Part No:	Description:	Description:
---------------	---------------	--------------	--------------

Image 1:

61	20456702	EVAPORATOR ASSY (M1, M2)
61	20457202	EVAPORATOR ASSY (M3)
81	M0211216	SCREW-SM (QTY AR)
111	D6926124	COMP 2K21T276A-UA (M1)
111	D6985810	COMP-PN 2P17S3R276A (M2)
111	D6887712	COMP-PN 2R13S3R276A (M3)
131	A3436901	SPRING-OVERLOAD
141	10329001	COVER-TERM
151	D6961642	OVERLOAD (M3)
151	D6961643	OVERLOAD (M2)
151	D6961657	OVERLOAD (M1)
161	A3436601	NUT-TERM COVER
171	A3436801	GASKET-NUT
181	A3436701	GASKET-TERM COVER
191	M0253610	SCREW-SHLDR (M1, M2)
191	M0253661	SCREW-SHLDR (M3)
751	20284916	CAPILLARY TUBING ASSY (M3)
751	20284917	CAPILLARY TUBING ASSY (M2)
751	20284918	CAPILLARY TUBING ASSY (M1)

Expanded Model Nomenclature

M1 - PTC154B50BG	P1255803R
M2 - PTC124B35BG	P1255804R
M3 - PTC094B35BG	P1255805R

Power Vent

Ref. Part No:	Ref. Part No:	Description:	Description:
---------------	---------------	--------------	--------------

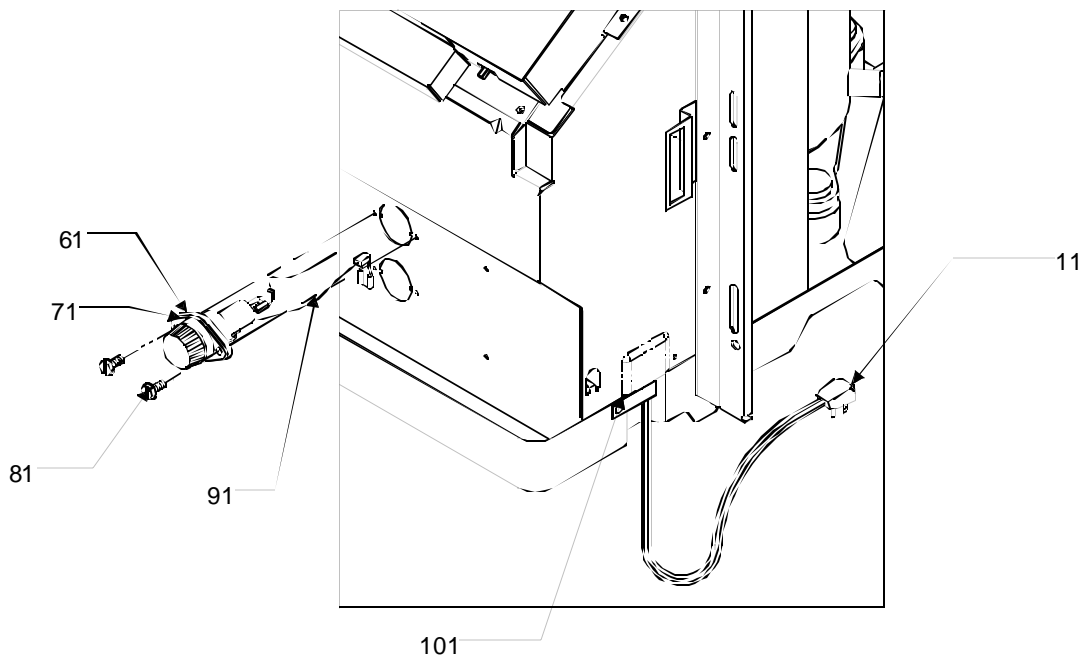
Image 1:

81	M0211216	SCREW-SM (QTY AR)
91	M0216716	SCREW-SM (QTY AR)
531	20304003	SHIELD-PROTECTION
541	11046105	DOOR-VENT
551	20416201	SEAL-L SIDE
851	11135801	BRKT-R FAN
861	11145801	BRKT-L FAN
871	11149201	FAN-MUFFIN
881	M0272802	WASHER-LOCK (QTY 2)
891	M0211011	SCREW-SM (QTY 3)
901	11166301	BRKT-PWR VENT
911	M0370005	RELIEF-STRAIN
921	11166101	BRKT-MOTOR
931	11172801	MOTOR
941	11166201	BRKT-COVER
951	A4539606	RIVET-POP (QTY 2)
981	11166401	SPRING-EXTENSION

Expanded Model Nomenclature

M1 - PTC154B50BG	P1255803R
M2 - PTC124B35BG	P1255804R
M3 - PTC094B35BG	P1255805R

Heater



Heater

Ref. Part No:	Ref. Part No:	Description:	Description:
---------------	---------------	--------------	--------------

Image 1:

11	11114801	CORD-277V 30A (M1)
11	11114701	CORD-277V-20A (M2, M3)
21	20517905	HTR 4 3.5KW ASSY (M2, M3)
21	20517906	HTR 4 5.0KW ASSY (M1)
31	20260805	WIRE-JUMPER BR34 (QTY 2)
41	20364801	INTAKE-BLOWER
51	M0216716	SCREW-SM (QTY 4)
61	C6476002	HOLDER-BAYONET FUSE (M2, M3)
61	C6476003	HOLDER-BAYONET FUSE (M1)
71	A3410403	FUSE-20A (M2, M3)
71	A3410404	FUSE-25 AMP (M1)
81	M0213817	SCREW-SM (QTY 2)
91	10618850	WIRE-JUMPER BK18
101	M0103906	CLAMP-SPEED
131	20515301	INTAKE EXT-BLWR
141	10839722	GASKET .25X.06
151	M0216529	SCREW-SM
161	20295708	THERMISTOR
171	BT1392310	PLASTIC CLAMP, .187

Expanded Model Nomenclature

M1 - PTC154B50BG	P1255803R
M2 - PTC124B35BG	P1255804R
M3 - PTC094B35BG	P1255805R

Control Panel

Ref. Part No:	Part No:	Description:	Ref. Part No:	Part No:	Description:
---------------	----------	--------------	---------------	----------	--------------

Image 1:

11	11044505	PANEL-CONTROL
21	20515101	PC BOARD
31	M0216529	SCREW-SM (QTY 4)
41	M0590702	SUPPORT (QTY 2)
51	10618849	WIRE-JUMPER GN1
61	M0227803	SCREW-TC
131	M0282005	NUT-KEPS
191	11172101	TRANSFORMER
201	M0216716	SCREW-SM (QTY 4)
291	B1337701	SWITCH-PADDLE
301	C8873932	RELAY
341	20512501	TRANSFORMER

Image 2:

452	20514901	COVER-CONT PNL
472	20515201	MEMBRANE-(CONTROL)
1092	M0216529	SCREW-SM (QTY 2)

Expanded Model Nomenclature

M1 - PTC154B50BG	P1255803R
M2 - PTC124B35BG	P1255804R
M3 - PTC094B35BG	P1255805R