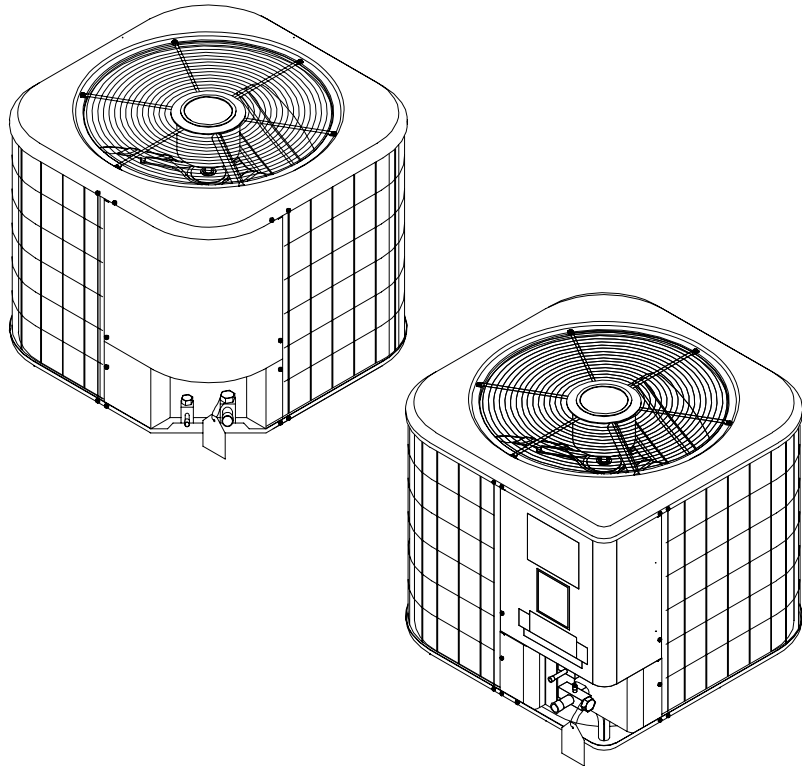


VCA*C2* 10 SEER Remote Condensing Units

VCA18C2B	P1254301C
VCA18C2C	P1254306C
VCA24C2B	P1254302C
VCA24C2C	P1254307C
VCA24C2D	0270R00105
VCA30C2B	P1254303C
VCA30C2C	P1254308C
VCA36C2B	P1254304C
VCA36C2C	P1254309C
VCA42C2B	P1254305C
VCA42C2C	P1254310C
VCA48C2B	P1254401C
VCA48C2C	P1254402C
VCA60C2C	P1254403C



Important Information

Index

Functional Parts List	3
Illustration and Parts	4 - 7

Views shown are for parts illustrations only, not servicing procedures

Rev. 4: Corrected compressor part numbers..

Text Codes:

AR - As Required

NA - Not Available

NS - Not Shown

00000000 - See Note

QTY - Quantity Example (QTY 3) (If Quantity not shown, Quantity = 1)

M - Model Example (M1) (If M Code not shown, then part is used on all Models)

Expanded Model Nomenclature:

Example M1 - Model#1 M2 - Model#2 M3 - Model#3

Goodman Company, L.P. is not responsible for personal injury or property damage resulting from improper service. Review all service information before beginning repairs.

Warranty service must be performed by an authorized technician, using authorized factory parts. If service is required after the warranty expires, Goodman Company, L.P. also recommends contacting an authorized technician and using authorized factory parts.

Goodman Company, L.P. reserves the right to discontinue, or change at any time, specifications or designs without notice or without incurring obligations.

For assistance within the U.S.A. contact:

Consumer Affairs Department
Goodman Company, L.P.
7401 Security Way
Houston, Texas 77040
877-254-4729-Telephone
713-863-2382-Facsimile

For assistance outside the U.S.A. contact:

International Division
Goodman Company, L.P.
7401 Security Way
Houston, Texas 77040
713-861-2500-Telephone
713-863-2382-Facsimile

Functional Parts

Part No: **Description:**

CAP050250370RS CAPACITOR 5/25/370V (M1, M6)
 CAP050300370RSS CAPACITOR 5/30/370V (M14)
 CAP050350370RSS CAPACITOR 5/35/370V (M3, M8)
 CAP050400440RTS CAPACITOR 5/40/440V (M5, M10, M11, M12)
 CAP050500370RS CAPACITOR 5/50/370V (M4, M9)
 CAP050600370RTS CAPACITOR 5/60/370V (M13)
 CR18K6PFV960 COMPRESSOR 16200, 208/230/60/1 (M1, M6)
 CR22K6PFV960 COMPRESSOR 21800, 208/230/60/1 (M2, M7, M14)
 CR35K6PFV960 COMPRESSOR 34500, 208/230/60/1 (M4, M9)
 CR38K6PFV960 COMPRESSOR 38200, 208/230/60/1 (M10)
 ZR40K3PFV930 COMPRESSOR 40600, 208/230/60/1 (M5)
 CR42K6PFV960 COMPRESSOR 41900, 380/420/60/1 (M11, M12)
 ZR57K3PFV950 COMPRESSOR 57500, 208/230/60/1 (M13)
 CR30K6PFV960 COMPRESSOR CR28K6-PFV-220 (M3, M8)
 10651508 COMPRESSOR HARNESS (M5, M10, M11, M12)
 10651507 COMPRESSOR HARNESS (M1, M2, M3, M4, M6, M7, M8, M9, M14)
 10651509 COMPRESSOR HARNESS (M13)
 1272105G COND ASSY (M13)
 1272163G COND ASSY (M11, M12)
 1272109G COND ASSY (M1, M6)
 1272157G COND ASSY (M4, M9)
 1272113G COND ASSY (M3, M8)
 1272112G COND ASSY (M5, M10)
 1272156G COND ASSY (M2, M7, M14)
 CONT1P025024VS CONTACTOR 25 AMP, 1P, 24 VAC (M1, M3, M4, M5, M6, M8, M9, M10, M11, M12, M14)
 CONT2P040024VS CONTACTOR 40 AMP (M13)
 B1789853 FLOW CHECK PISTON KIT (M1, M6)
 B1789882 FLOW CHECK PISTON KIT (M11, M12)
 B1789892 FLOW CHECK PISTON KIT (M13)
 B1789876 FLOW CHECK PISTON KIT (M5, M10)
 B1789871 FLOW CHECK PISTON KIT (M4, M9)
 B1789865 FLOW CHECK PISTON KIT (M3, M8)
 B1789859 FLOW CHECK PISTON KIT (M2, M7, M14)
 0131M00007PS MOTOR 1/4 HP, 230V, 1.8 FLA, 1 SP (M11, M12, M13)
 B13400252S MOTOR 1/6 HP, 230V, 1.3 FLA, 1 SP (M1, M2, M3, M4, M5, M6, M7, M8, M9, M10, M14)
 B1219225 SINGLE-FLOW FILTER DRIER STEEL (M5, M10, M11, M12, M13)
 B1219212 SINGLE-FLOW FILTER DRIER STEEL (M14)

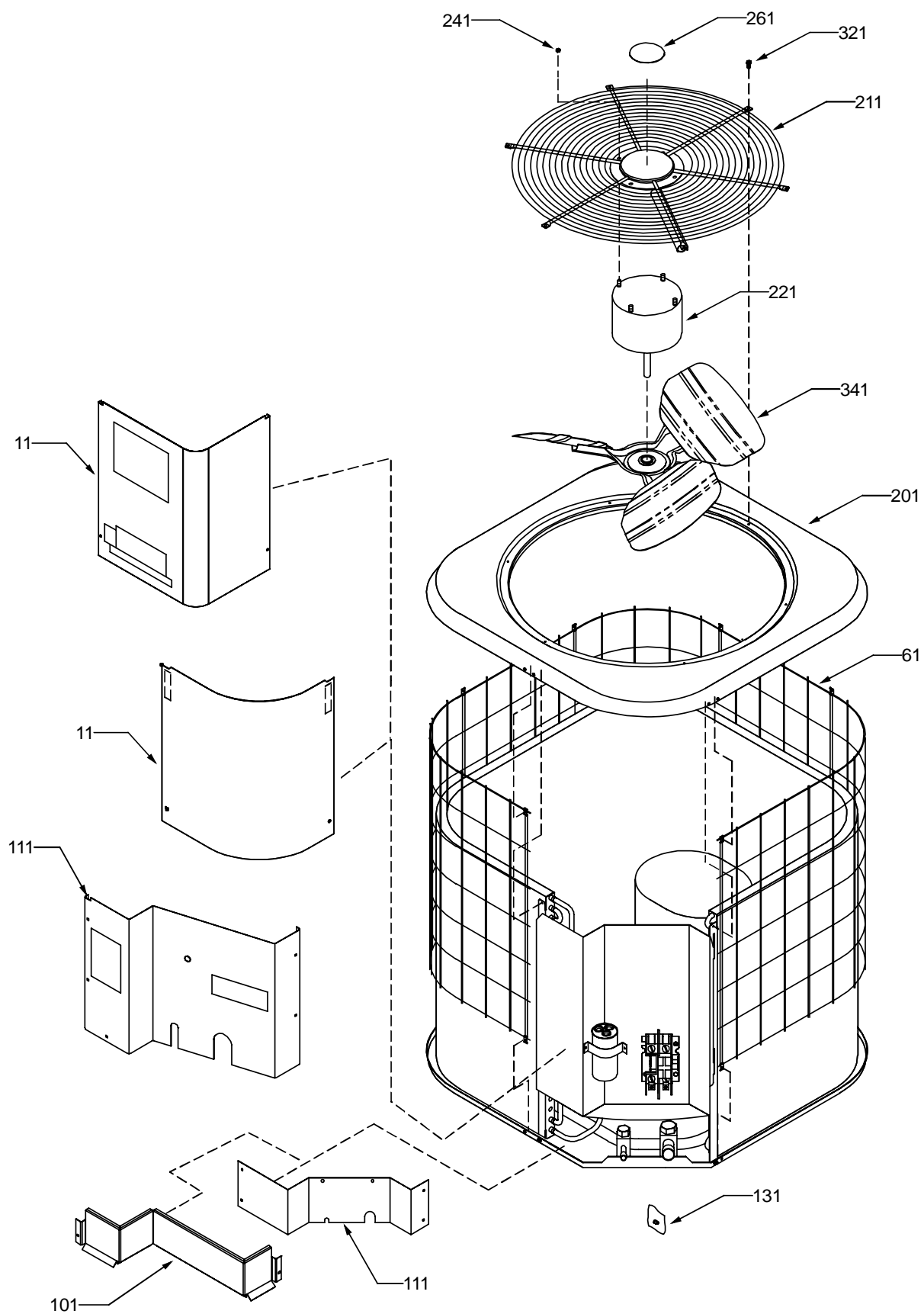
SPECIAL PARTS

10652423S INSTALLATION INSTRUCTIONS (M14)
 20353301 NAMEPLATE-DISC AMANA
 RP6111004 REPAIR PARTS MANUAL

Expanded Model Nomenclature

M1 - VCA18C2B	P1254301C
M2 - VCA24C2B	P1254302C
M3 - VCA30C2B	P1254303C
M4 - VCA36C2B	P1254304C
M5 - VCA42C2B	P1254305C
M6 - VCA18C2C	P1254306C
M7 - VCA24C2C	P1254307C
M8 - VCA30C2C	P1254308C
M9 - VCA36C2C	P1254309C
M10 - VCA42C2C	P1254310C
M11 - VCA48C2B	P1254401C
M12 - VCA48C2C	P1254402C
M13 - VCA60C2C	P1254403C
M14 - VCA24C2D	0270R00105

Cabinet/Top Panel Assembly



Cabinet/Top Panel Assembly

Ref Part No:	Description:	Ref. Part No:	Description:
<i>Image 1:</i>		341	B1086756S FAN BLADE 18" (M1, M2, M3, M4, M5, M6, M7, M8, M9, M10, M14)
11	20160405BND BENT CONTROL COVER (M1, M2, M5)	351	10625731S FAN BLADE 22" (M11, M12, M13)
11	20160406BND BENT CONTROL COVER (M3, M4)	Expanded Model Nomenclature	
11	20160411BND BENT CONTROL COVER (M6, M7, M10, M14)	M1 - VCA18C2B	P1254301C
11	20160412BND BENT CONTROL COVER (M8, M9)	M2 - VCA24C2B	P1254302C
11	10589920 CONTROL COVER (M11)	M3 - VCA30C2B	P1254303C
11	10589926PDG CONTROL COVER (M12, M13)	M4 - VCA36C2B	P1254304C
61	20030532 FORMED GRILLE (M11)	M5 - VCA42C2B	P1254305C
61	20030537 FORMED GRILLE (M12, M13)	M6 - VCA18C2C	P1254306C
61	20182535 FORMED GRILLE (M3)	M7 - VCA24C2C	P1254307C
61	20182536 FORMED GRILLE (M5)	M8 - VCA30C2C	P1254308C
61	20182537 FORMED GRILLE (M1, M2)	M9 - VCA36C2C	P1254309C
61	20182538 FORMED GRILLE (M4)	M10 - VCA42C2C	P1254310C
61	20182539 FORMED GRILLE (M8)	M11 - VCA48C2B	P1254401C
61	20182540 FORMED GRILLE (M10)	M12 - VCA48C2C	P1254402C
61	20182541 FORMED GRILLE (M6, M7, M14)	M13 - VCA60C2C	P1254403C
61	20182542 FORMED GRILLE (M9)	M14 - VCA24C2D	0270R00105
101	10597408 CONTROL FILLER (M11, M12, M13)		
111	20160215PDG SERVICE VALVE PANEL (M6, M7, M8, M14)		
111	20289710 SERVICE VALVE PANEL (M11)		
111	20289711PDG SERVICE VALVE PANEL (M12, M13)		
131	B1789853 FLOW CHECK PISTON KIT (M1, M6)		
131	B1789859 FLOW CHECK PISTON KIT (M2, M7, M14)		
131	B1789865 FLOW CHECK PISTON KIT (M3, M8)		
131	B1789871 FLOW CHECK PISTON KIT (M4, M9)		
131	B1789876 FLOW CHECK PISTON KIT (M5, M10)		
131	B1789882 FLOW CHECK PISTON KIT (M11, M12)		
131	B1789892 FLOW CHECK PISTON KIT (M13)		
141	20160209 SERVICE VALVE PANEL (M1, M2, M3)		
141	20160210 SERVICE VALVE PANEL (M4)		
141	20160211 SERVICE VALVE PANEL (M5)		
141	20160216PDG SERVICE VALVE PANEL (M9)		
141	20160217PDG SERVICE VALVE PANEL (M10)		
201	10576104 TOP (M11)		
201	10576105PDG TOP (M12, M13)		
201	20160504 TOP (M1, M2, M3, M4, M5)		
201	20160505PDG TOP (M6, M7, M8, M9, M10, M14)		
211	20515001 FAN GRILLE (M1, M2, M3, M4, M5, M6, M7, M8, M9, M10, M14)		
211	20515002 FAN GRILLE (M11, M12, M13)		
221	0131M00007PS MOTOR 1/4 HP, 230V, 1.8 FLA, 1 SP (M11, M12, M13)		
221	B13400252S MOTOR 1/6 HP, 230V, 1.3 FLA, 1 SP (M1, M2, M3, M4, M5, M6, M7, M8, M9, M10, M14)		
241	B1783803 ACORN NUT (5/16 HEX, YELLOW ZINC) (QTY 4)		
261	20353301 NAMEPLATE-DISC AMANA		
321	B1393532 SCREW, HWH, 10 X 3/8, A, YZD (QTY 6)		

Coil/Control Panel/Compressor

Image 1

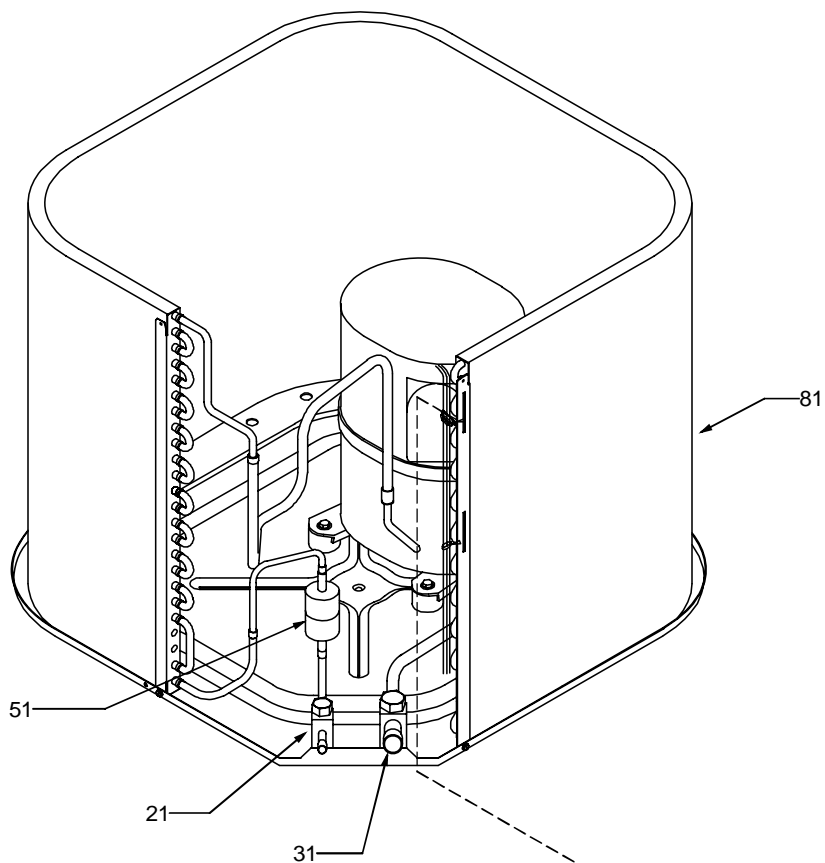
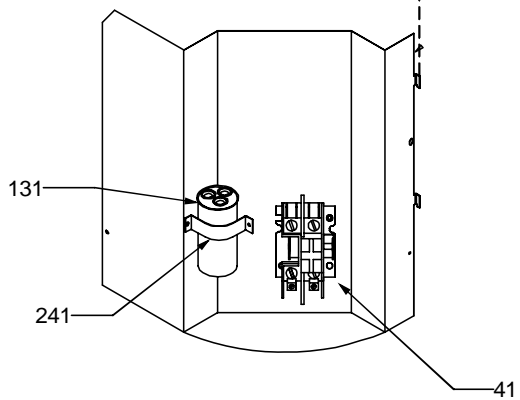
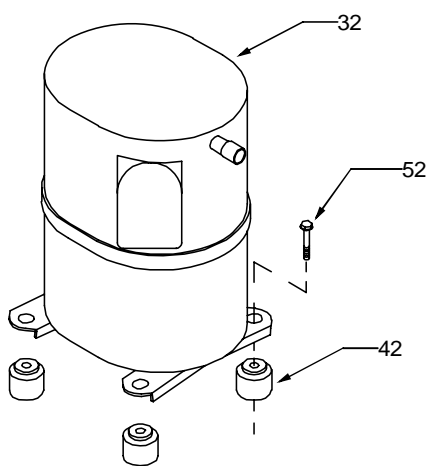


Image 2



Coil/Control Panel/Compressor

Ref Part No:	Description:	Ref. Part No:	Description:
--------------	--------------	---------------	--------------

Image 1:

21	20163902	SERVICE VALVE 3/4" (M3, M4, M8, M9)
21	20163901	SERVICE VALVE 5/8" (M1, M2, M6, M7, M14)
21	20163903	SERVICE VALVE 7/8" (M5, M10, M11, M12, M13)
31	20163801	SERVICE VALVE (M5, M10, M11, M12, M13, M14)
41	CONT1P025024VS	CONTACTOR 25 AMP, 1P, 24 VAC (M1, M3, M4, M5, M6, M8, M9, M10, M11, M12, M14)
41	CONT2P040024VS	CONTACTOR 40 AMP (M13)
51	B1219212	SINGLE-FLOW FILTER DRIER STEEL (M14)
51	B1219225	SINGLE-FLOW FILTER DRIER STEEL (M5, M10, M11, M12, M13)
81	1272105G	COND ASSY (M13)
81	1272109G	COND ASSY (M1, M6)
81	1272112G	COND ASSY (M5, M10)
81	1272113G	COND ASSY (M3, M8)
81	1272156G	COND ASSY (M2, M7, M14)
81	1272157G	COND ASSY (M4, M9)
81	1272163G	COND ASSY (M11, M12)
131	CAP050250370RS	CAPACITOR 5/25/370V (M1, M6)
131	CAP050300370RSS	CAPACITOR 5/30/370V (M14)
131	CAP050350370RSS	CAPACITOR 5/35/370V (M3, M8)
131	CAP050400440RTS	CAPACITOR 5/40/440V (M5, M10, M11, M12)
131	CAP050500370RS	CAPACITOR 5/50/370V (M4, M9)
131	CAP050600370RTS	CAPACITOR 5/60/370V (M13)
241	20520901	CAPACITOR STRAP (M1, M3, M4, M5, M6, M8, M9, M10, M11, M12, M13, M14)

Expanded Model Nomenclature

M1 - VCA18C2B	P1254301C
M2 - VCA24C2B	P1254302C
M3 - VCA30C2B	P1254303C
M4 - VCA36C2B	P1254304C
M5 - VCA42C2B	P1254305C
M6 - VCA18C2C	P1254306C
M7 - VCA24C2C	P1254307C
M8 - VCA30C2C	P1254308C
M9 - VCA36C2C	P1254309C
M10 - VCA42C2C	P1254310C
M11 - VCA48C2B	P1254401C
M12 - VCA48C2C	P1254402C
M13 - VCA60C2C	P1254403C
M14 - VCA24C2D	0270R00105

Image 2:

32	CR18K6PFV960	COMPRESSOR 16200, 208/230/60/1 (M1, M6)
32	CR22K6PFV960	COMPRESSOR 21800, 208/230/60/1 (M2, M7, M14)
32	CR35K6PFV960	COMPRESSOR 34500, 208/230/60/1 (M4, M9)
32	CR38K6PFV960	COMPRESSOR 38200, 208/230/60/1 (M10)
32	ZR40K3PFV930	COMPRESSOR 40600, 208/230/60/1 (M5)
32	CR42K6PFV960	COMPRESSOR 41900, 380/420/60/1 (M11, M12)
32	ZR57K3PFV950	COMPRESSOR 57500, 208/230/60/1 (M13)
32	CR30K6PFV960	COMPRESSOR CR28K6-PFV-220 (M3, M8)
42	B1315401	COMPRESSOR GROMMET (M1, M2, M3, M4, M6, M7, M8, M9, M10, M11, M12, M14)
42	B1339533	COMPRESSOR GROMMET (M5, M13)
52	M0221641	TF SHOULDER SCREW (QTY 4)
NS	10651507	COMPRESSOR HARNESS (M1, M2, M3, M4, M6, M7, M8, M9, M14)
NS	10651508	COMPRESSOR HARNESS (M5, M10, M11, M12)
NS	10651509	COMPRESSOR HARNESS (M13)