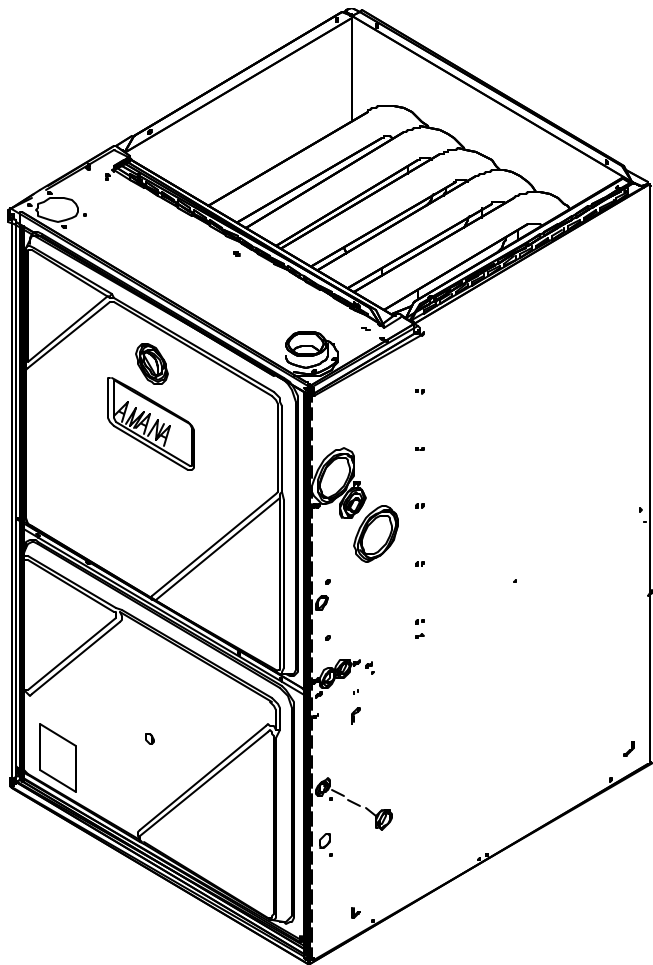


# Service Parts

## GULA 90% Gas Furnace Unit

This manual replaces RP6612002 Rev. 0.

This manual is to be used by qualified appliance technicians only.



Models and manufacturing numbers in this manual

GULA045AX30	P1245801F
GULA045CX30	P1253101F
GULA070AX30	P1245802F
GULA070AX40	P1245803F
GULA070CX30	P1253102F
GULA070CX40	P1253103F
GULA090AX40	P1245804F
GULA090AX50	P1245805F
GULA090CX40	P1253104F
GULA090CX50	P1253105F
GULA115AX50	P1245806F
GULA115CX50	P1253106F



Amana is a trademark of Maytag Worldwide N.V. and used under license to Goodman Company, L.P. All rights reserved.

RP6612002  
Revision 1  
November 2003

Copyright © 2003 Goodman Company, L.P.

## Important Information

---

Goodman Company, L.P. is not responsible for personal injury or property damage resulting from improper service. Review all service information before beginning repairs.

Warranty service must be performed by an authorized technician, using authorized factory parts. If service is required after the warranty expires, Goodman Company, L.P. also recommends contacting an authorized technician and using authorized factory parts.

For assistance within the U.S.A. contact:

Consumer Affairs Department  
Goodman Company, L.P.  
7401 Security Way  
Houston, Texas 77040  
877-254-4729-Telephone  
713-863-2382-Facsimile

For assistance outside the U.S.A. contact:

International Division  
Goodman Company, L.P.  
7401 Security Way  
Houston, Texas 77040  
713-861-2500-Telephone  
713-863-2382-Facsimile

# Index

Functional Parts List .....	4 - 5
Illustration and Parts .....	6 - 15

*Views shown are for parts illustrations only, not servicing procedures.*

Revision 1 Adds \*cx models.

### Text Codes:

AR - As Required

NA - Not Available

NS - Not Shown

00000000 - See Note

QTY - Quantity Example (QTY 3) (If Quantity not shown, Quantity = 1)

M - Model Example (M1) (If M Code not shown, then part is used on all Models)

### Expanded Model and Color Nomenclature:

Example	
M1 - Model#1	P _____
M2 - Model#2	P _____
M3 - Model#3	P _____

# Functional Parts

## Part

## No: Description:

---

10735102	BECKETT BURNER (QTY AR)
20190601	BLOWER-I.D.
D6879746	CAPACITOR (M2, M3, M4, M8, M9, M10)
D6879748	CAPACITOR (M1, M5, M7, M11)
D6879740	CAPACITOR (M6, M12)
10207718	CONTROL-INTEG
C6121807	CUTOFF (M5, M6, M11, M12)
C6121806	CUTOFF (M3, M4, M9, M10)
C6121803	CUTOFF (M1, M2, M7, M8)
10735201	FLAME-SENSOR
20276005	HARNESS-WIRING (BLOWER)
20200905	HARNESS-WIRING (MAIN 12-PIN)
20418601	HEAT EXCHANGER ASSY 2B (M1)
20418607	HEAT EXCHANGER ASSY 2B (M7)
20418603	HEAT EXCHANGER ASSY 3B (M3)
20418602	HEAT EXCHANGER ASSY 3B (M2)
20418609	HEAT EXCHANGER ASSY 3B (M9)
20418608	HEAT EXCHANGER ASSY 3B (M8)
20418611	HEAT EXCHANGER ASSY 4B (M11)
20418605	HEAT EXCHANGER ASSY 4B (M5)
20418604	HEAT EXCHANGER ASSY 4B (M4)
20418610	HEAT EXCHANGER ASSY 4B (M10)
20418606	HEAT EXCHANGER ASSY 5B (M6)
20418612	HEAT EXCHANGER ASSY 5B (M12)
20165702	IGNITOR
10123525	LIMIT, RESET MANUAL (AUXILIARY) (M12)
20162904	LIMIT-PRIMARY (M1, M2, M4, M5, M6, M7, M8, M10, M11, M12)
20162903	LIMIT-PRIMARY (M3, M9)
10123535	LIMIT-RESET MANUAL (AUXILIARY) (M1, M2, M3, M4, M5, M7, M8, M9, M10, M11)
10123525	LIMIT-RESET MANUAL (AUXILIARY) (M6)
10123533	LIMIT-RESET MANUAL (ROLLOUT) (M1, M2, M4, M7, M8, M10)
10123517	LIMIT-RESET MANUAL (ROLLOUT) (M3, M9)
10123534	LIMIT-RESET MANUAL (ROLLOUT) (M5, M6, M11, M12)
10759310	MOTOR BLOWER 1/2 HP (M2, M8)
10759309	MOTOR BLOWER 1/2 HP (M3, M4, M9, M10)
10759311	MOTOR BLOWER 1/2 HP (M6, M12)
10759212	MOTOR BLOWER 1/3 HP (M1, M7)
10759415	MOTOR BLOWER 3/4 HP (M5, M11)
10716003	ORIFICE (QTY AR)
20197303	SWITCH, PRESSURE (M10, M12)
10690402	SWITCH-INTERLOCK
20197305	SWITCH-PRESSURE (QTY AR)
C6349703	TRANSFORMER
C6476911	VALVE-GAS
D6723319	WHEEL-BLOWER (M2, M8)
D6723320	WHEEL-BLOWER (M3, M4, M5, M9, M10, M11)
D6723321	WHEEL-BLOWER (M1, M7)
D6723311	WHEEL-BLOWER (M6, M12)

# Functional Parts

## Part

No: Description:

---

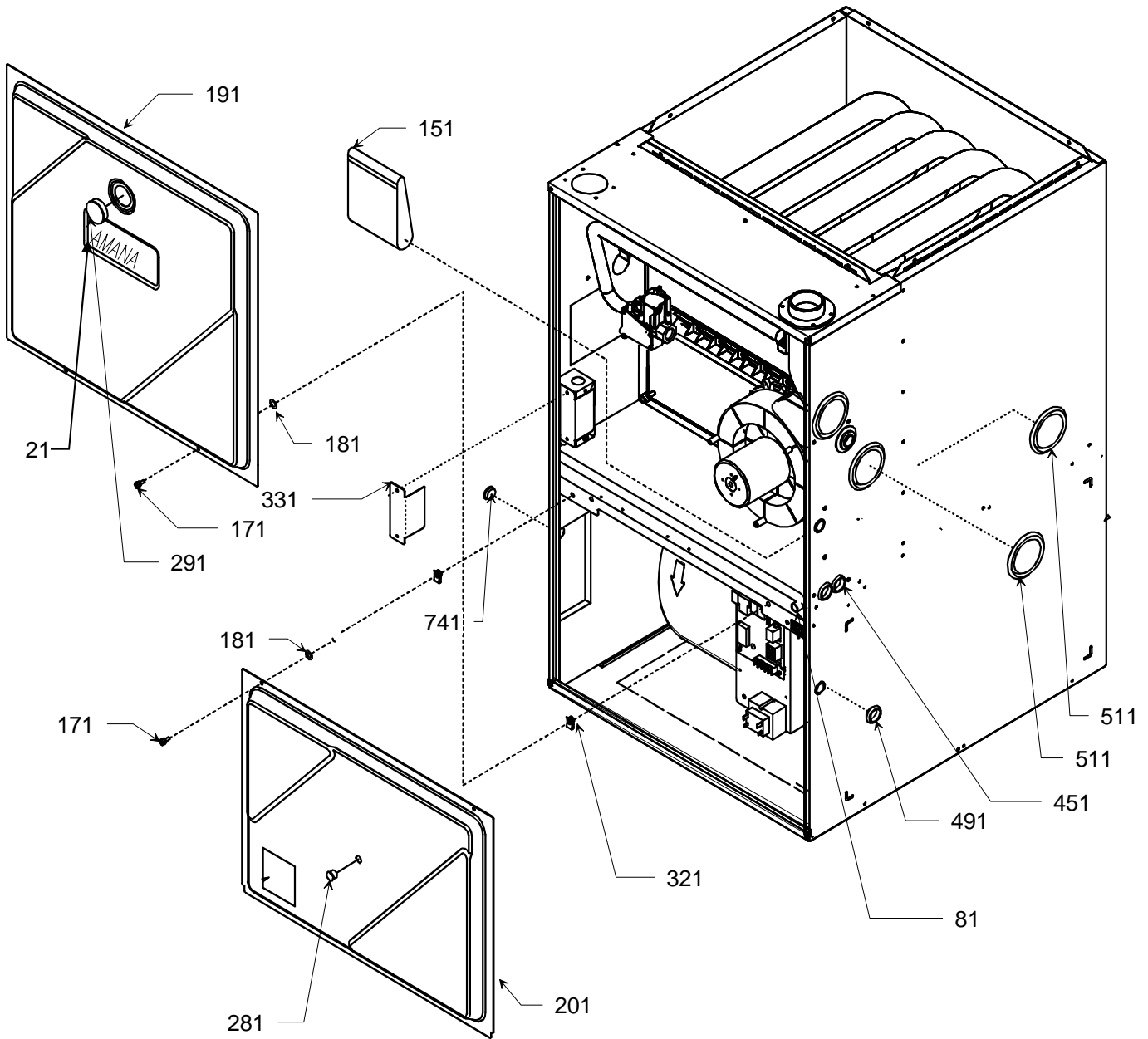
### SPECIAL PARTS

10318739	INSTRUCT-INSTALL (M1, M2, M3, M4, M5, M6)
10318740	INSTRUCT-INSTALL (M7, M8, M9, M10, M11, M12)
RP6612002	MANUAL PARTS
RS6600001	MANUAL-SERVICE
10318826	MANUAL-USERS (M1, M2, M3, M4, M5, M6)
10318827	MANUAL-USERS (M7, M8, M9, M10, M11, M12)
10261301S	SCREEN-VENT
10261302S	SCREEN-VENT
11134650	SPECIFICATION SHEET
10195513	STNDPIPE BAG ASSY
RT6612006	TECHNICAL INFORMATION
20490403	WARRANTY

### Expanded Model and Color Nomenclature

M1 - GULA045AX30	P1245801F
M2 - GULA070AX30	P1245802F
M3 - GULA070AX40	P1245803F
M4 - GULA090AX40	P1245804F
M5 - GULA090AX50	P1245805F
M6 - GULA115AX50	P1245806F
M7 - GULA045CX30	P1253101F
M8 - GULA070CX30	P1253102F
M9 - GULA070CX40	P1253103F
M10 - GULA090CX40	P1253104F
M11 - GULA090CX50	P1253105F
M12 - GULA115CX50	P1253106F

# Cabinet Assembly and Blower Mounting



# Cabinet Assembly and Blower Mounting

Ref. Part No:	Description:	Ref. Part No:	Description:
---------------	--------------	---------------	--------------

Image 1:

21	20275303	NAMEPLATE-AMANA
81	20201902	HOSE-DRAIN
151	10195513	STNDPIPE BAG ASSY
171	M0204317	SCREW-MACH (QTY 4)
181	M0273904	RETAINER-SCREW (QTY 4)
191	20177407	DOOR-ACCESS (M5, M6, M11, M12)
191	20273101	DOOR-ACCESS (M1, M2, M7, M8)
191	20273102	DOOR-ACCESS (M3, M4, M9, M10)
201	20177304	DOOR-BLWR (M1, M2, M7, M8)
201	20177305	DOOR-BLWR (M3, M4, M9, M10)
201	20177306	DOOR-BLWR (M5, M6, M11, M12)
281	11104001	SNAP-BUSHING CLR
291	11104002	SNAP-BUSHING CLR
331	10736201	COVER-HV BOX
451	M0501301	GROMMET-PIPE (M3, M4, M5, M7, M8, M12)
491	M0570804	PLUG-BUTTON (QTY AR)
511	M0570803	PLUG-BUTTON (QTY 2)
741	M0571002	BUSHING-SNAP (QTY 2)
NS	B1410304	HOSE-PRESSURE SW (COIL COVER) (M1, M2, M7, M8)
NS	B1410316	HOSE-PRESSURE SW (COIL COVER) (M3, M4, M5, M6, M9, M10, M11, M12)
NS	B1410312	HOSE-PRESSURE SW (ID BLOWER)

## Expanded Model and Color Nomenclature

M1 - GULA045AX30	P1245801F
M2 - GULA070AX30	P1245802F
M3 - GULA070AX40	P1245803F
M4 - GULA090AX40	P1245804F
M5 - GULA090AX50	P1245805F
M6 - GULA115AX50	P1245806F
M7 - GULA045CX30	P1253101F
M8 - GULA070CX30	P1253102F
M9 - GULA070CX40	P1253103F
M10 - GULA090CX40	P1253104F
M11 - GULA090CX50	P1253105F
M12 - GULA115CX50	P1253106F

# Blower Assembly

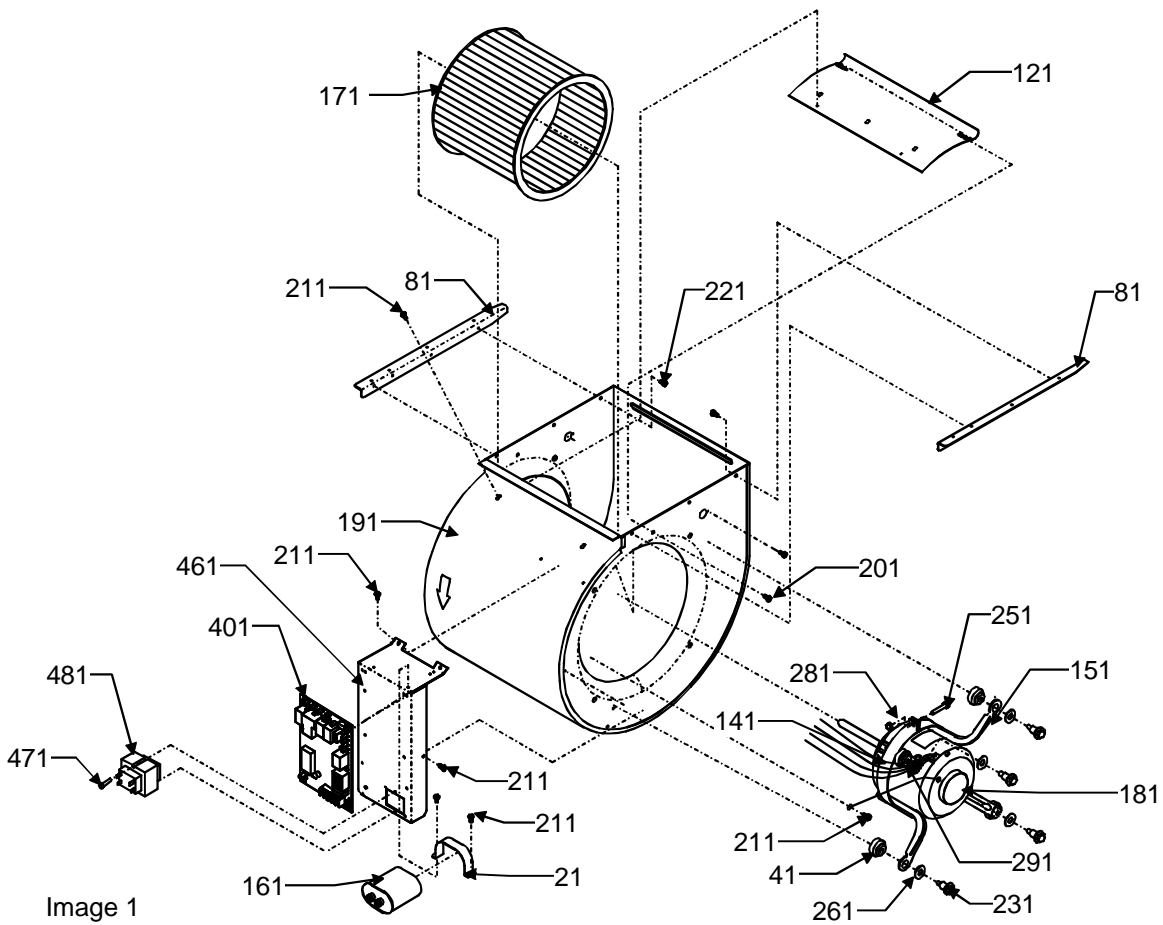
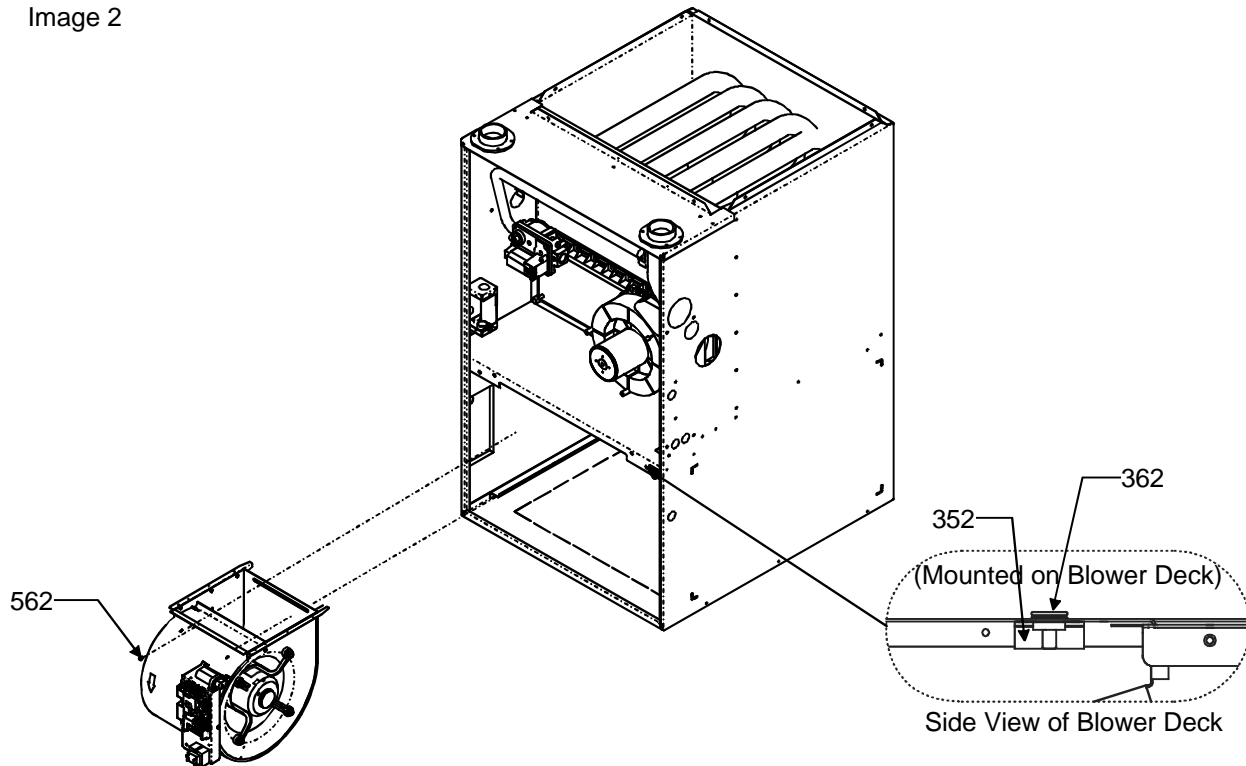


Image 1

Image 2



# Blower Assembly

Ref. Part No:	Ref. Part No:	Description:	Description:
---------------	---------------	--------------	--------------

Image 1:

21	A3410501	STRAP-CAPACITOR (M2, M3, M4, M6, M8, M9, M10, M12)
21	A4055402	STRAP-CAPACITOR (M1, M5, M7, M11)
41	A4002701	GROMMET (QTY 4)
81	20175101	RAIL-BLWR SIDE (QTY 2)
121	C6121803	CUTOFF (M1, M2, M7, M8)
121	C6121806	CUTOFF (M3, M4, M9, M10)
121	C6121807	CUTOFF (M5, M6, M11, M12)
141	10441601	BAND-MTR MOUNT
151	10441501	ARM-MTR MOUNT (QTY 4)
151	M0219916	SCREW-SM (QTY 8)
161	D6879740	CAPACITOR (M6, M12)
161	D6879746	CAPACITOR (M2, M3, M4, M8, M9, M10)
161	D6879748	CAPACITOR (M1, M5, M7, M11)
171	D6723311	WHEEL-BLOWER (M6, M12)
171	D6723319	WHEEL-BLOWER (M2, M8)
171	D6723320	WHEEL-BLOWER (M3, M4, M5, M9, M10, M11)
171	D6723321	WHEEL-BLOWER (M1, M7)
181	10759309	MOTOR BLOWER 1/2 HP (M3, M4, M9, M10)
181	10759310	MOTOR BLOWER 1/2 HP (M2, M8)
181	10759311	MOTOR BLOWER 1/2 HP (M6, M12)
181	10759212	MOTOR BLOWER 1/3 HP (M1, M7)
181	10759415	MOTOR BLOWER 3/4 HP (M5, M11)
191	11185807	HSG WELD-11X10 (M5, M6, M11, M12)
191	11185805	HSG WELD-11X7 (M1, M2, M7, M8)
191	11185806	HSG WELD-11X9 (M3, M4, M9, M10)
201	M0211020	SCREW-SM #8-7/8 (QTY 2)
211	M0219916	SCREW-SM (QTY AR)
221	M0253516	SCREW-TR (QTY 6)
231	M0221461	SCREW-TC (QTY 4)
251	M0267144	SCREW-MACH
261	M0274008	WASHER-FLAT (QTY 4)
281	M0282015	NUT-KEPS
291	M0321202	TIE-ELEC LG
401	10207718	CONTROL-INTEG
461	10746205	BRACKET-CONT
471	M0216536	SCREW-SM (QTY 2)
481	C6349703	TRANSFORMER
521	M0218154	SCREW-SM (QTY 2)

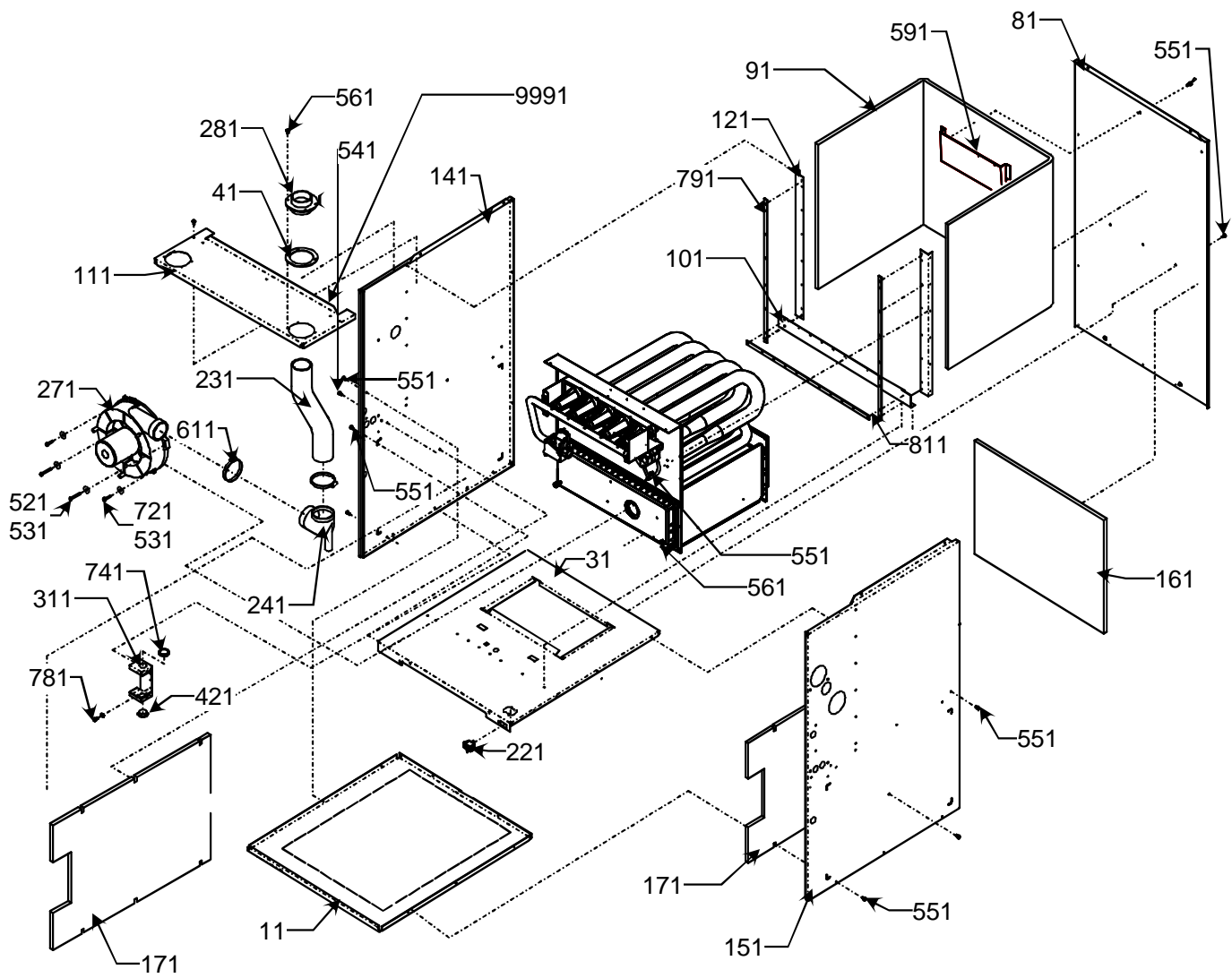
Image 2:

352	10861101	BRKT-AUX LIMIT
362	10123525	LIMIT, RESET MANUAL (AUXILIARY) (M12)
362	10123525	LIMIT-RESET MANUAL (AUXILIARY) (M6)
362	10123535	LIMIT-RESET MANUAL (AUXILIARY) (M1, M2, M3, M4, M5, M7, M8, M9, M10, M11)
562	M0219918	SCREW-SM #8-5/8 (QTY AR)
NS	20178501	RETAINER-FILTER (M5)

## Expanded Model and Color Nomenclature

M1 - GULA045AX30	P1245801F
M2 - GULA070AX30	P1245802F
M3 - GULA070AX40	P1245803F
M4 - GULA090AX40	P1245804F
M5 - GULA090AX50	P1245805F
M6 - GULA115AX50	P1245806F
M7 - GULA045CX30	P1253101F
M8 - GULA070CX30	P1253102F
M9 - GULA070CX40	P1253103F
M10 - GULA090CX40	P1253104F
M11 - GULA090CX50	P1253105F
M12 - GULA115CX50	P1253106F

# Cabinet Assembly



# Cabinet Assembly

Ref. Part No:	Ref. Part No:	Description:	Description:																								
<i>Image 1:</i>			9991 20273303 COVER-FLUE/FA (M5, M6, M11, M12)																								
11	20273401	BASEPAN-UPFLOW (M1, M2, M7, M8)	<b>Expanded Model and Color Nomenclature</b> <table border="1"> <tr><td>M1 - GULA045AX30</td><td>P1245801F</td></tr> <tr><td>M2 - GULA070AX30</td><td>P1245802F</td></tr> <tr><td>M3 - GULA070AX40</td><td>P1245803F</td></tr> <tr><td>M4 - GULA090AX40</td><td>P1245804F</td></tr> <tr><td>M5 - GULA090AX50</td><td>P1245805F</td></tr> <tr><td>M6 - GULA115AX50</td><td>P1245806F</td></tr> <tr><td>M7 - GULA045CX30</td><td>P1253101F</td></tr> <tr><td>M8 - GULA070CX30</td><td>P1253102F</td></tr> <tr><td>M9 - GULA070CX40</td><td>P1253103F</td></tr> <tr><td>M10 - GULA090CX40</td><td>P1253104F</td></tr> <tr><td>M11 - GULA090CX50</td><td>P1253105F</td></tr> <tr><td>M12 - GULA115CX50</td><td>P1253106F</td></tr> </table>	M1 - GULA045AX30	P1245801F	M2 - GULA070AX30	P1245802F	M3 - GULA070AX40	P1245803F	M4 - GULA090AX40	P1245804F	M5 - GULA090AX50	P1245805F	M6 - GULA115AX50	P1245806F	M7 - GULA045CX30	P1253101F	M8 - GULA070CX30	P1253102F	M9 - GULA070CX40	P1253103F	M10 - GULA090CX40	P1253104F	M11 - GULA090CX50	P1253105F	M12 - GULA115CX50	P1253106F
M1 - GULA045AX30	P1245801F																										
M2 - GULA070AX30	P1245802F																										
M3 - GULA070AX40	P1245803F																										
M4 - GULA090AX40	P1245804F																										
M5 - GULA090AX50	P1245805F																										
M6 - GULA115AX50	P1245806F																										
M7 - GULA045CX30	P1253101F																										
M8 - GULA070CX30	P1253102F																										
M9 - GULA070CX40	P1253103F																										
M10 - GULA090CX40	P1253104F																										
M11 - GULA090CX50	P1253105F																										
M12 - GULA115CX50	P1253106F																										
11	20273404	BASEPAN-UPFLOW (M3, M4, M9, M10)																									
11	20273405	BASEPAN-UPFLOW (M5, M6, M11, M12)																									
31	20190225	DECK-BLWR (M1, M2, M7, M8)																									
31	20190226	DECK-BLWR (M3, M4, M9, M10)																									
31	20190227	DECK-BLWR (M5, M6, M11, M12)																									
81	20273201	PANEL-BACK (M1, M2, M7, M8)																									
81	20273202	PANEL-BACK (M3, M4, M9, M10)																									
81	20273203	PANEL-BACK (M5, M6, M11, M12)																									
91	C6415907	INSUL-HEAT EXCHANGER (M1, M2, M7, M8)																									
91	C6415908	INSUL-HEAT EXCHANGER (M3, M4, M9, M10)																									
91	C6415909	INSUL-HEAT EXCHANGER (M5, M6, M11, M12)																									
101	20191301	RAIL-DECK (M1, M2, M7, M8)																									
101	20191302	RAIL-DECK (M3, M4, M9, M10)																									
101	20191303	RAIL-DECK (M5, M6, M11, M12)																									
111	20192701	INSULATION (M1, M2, M7, M8)																									
111	20192702	INSULATION (M3, M4, M9, M10)																									
111	20192703	INSULATION (M5, M6, M11, M12)																									
121	20191601	RAIL-SIDE (QTY 2)																									
141	20193405	PANEL-L SIDE																									
151	20193305	PANEL-R SIDE																									
161	20006601	INSULATION (M1, M2, M7, M8)																									
161	20006602	INSULATION (M3, M4, M9, M10)																									
161	20006603	INSULATION (M5, M6, M11, M12)																									
171	20243503	INSULATION-SIDE (QTY 2)																									
221	10690402	SWITCH-INTERLOCK																									
231	20190503	PIPE-FLUE																									
241	20171801	ELBOW																									
271	20190601	BLOWER-I.D.																									
281	20049701	COUPLING-FA (QTY AR)																									
311	10736102	BOX-HIGH VOLT																									
391	M0275521	SEALER-PLASTIC																									
401	M0571302	BUSHING-W/SEAL (M3, M7, M8, M10, M11, M12)																									
421	A4554801	BUSHING-SNAP (M1, M2, M3, M4, M5, M6, M7, M9, M10, M11, M12)																									
521	M0218154	SCREW-SM (QTY 2)																									
531	M0270544	WASHER-FLAT (QTY 4)																									
541	M0216716	SCREW-SM (QTY 2)																									
551	M0219916	SCREW-SM (QTY AR)																									
561	M0219918	SCREW-SM #8-5/8 (QTY AR)																									
591	11165107	SHIELD, BLOWER																									
611	A3326008	CLAMP-HOSE (QTY 2)																									
721	M0218153	SCREW-SM (QTY AR)																									
741	M0571002	BUSHING-SNAP (QTY 2)																									
771	M0270001	WASHER-CUP																									
781	M0227803	SCREW-TC																									
791	20194604	GASKET (QTY 2)																									
811	20194601	GASKET (M1, M7, M8)																									
811	20194602	GASKET (M3, M4, M10)																									
811	20194603	GASKET (M5, M6, M11, M12)																									
9991	20273301	COVER-FLUE/FA (M1, M2, M7, M8)																									
9991	20273302	COVER-FLUE/FA (M3, M4, M9, M10)																									

# Heat Exchanger and Manifold Assembly

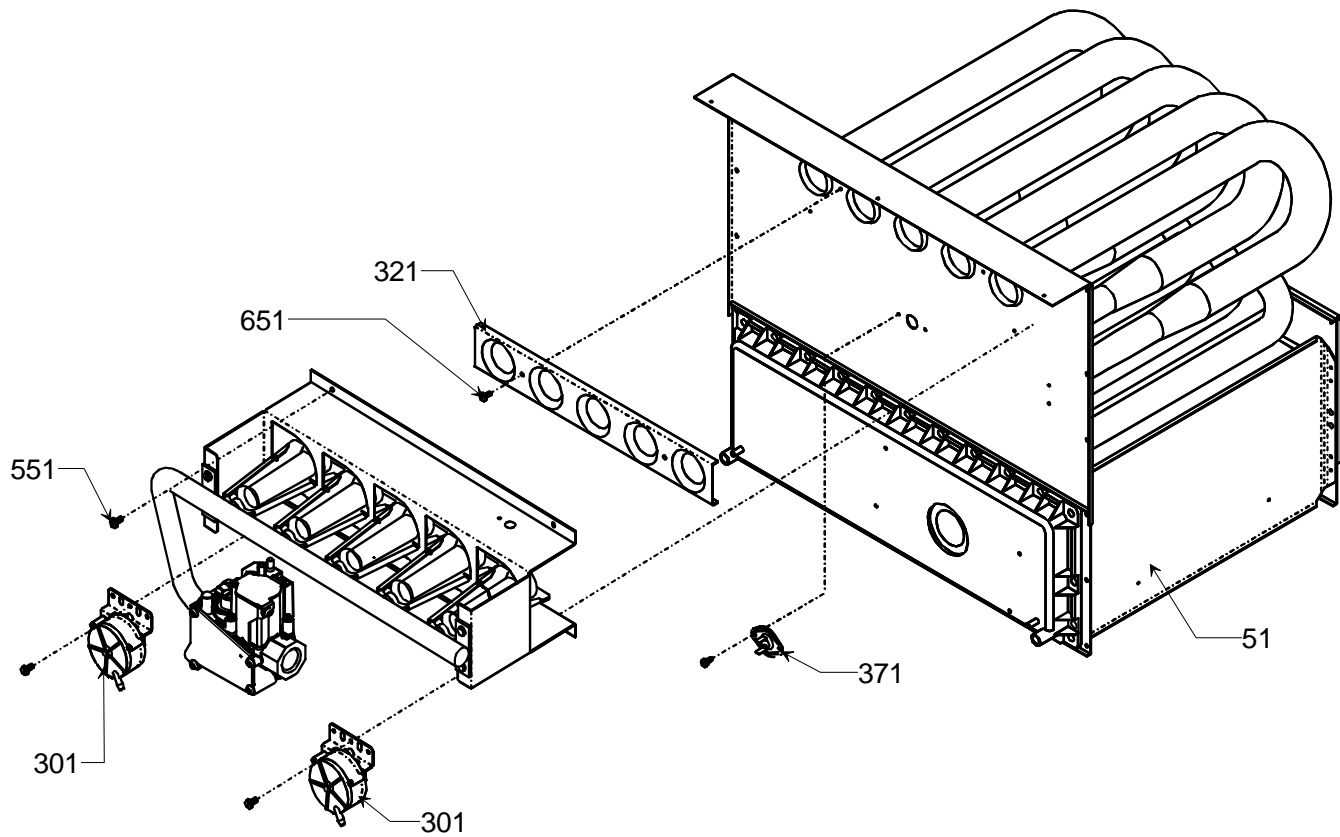
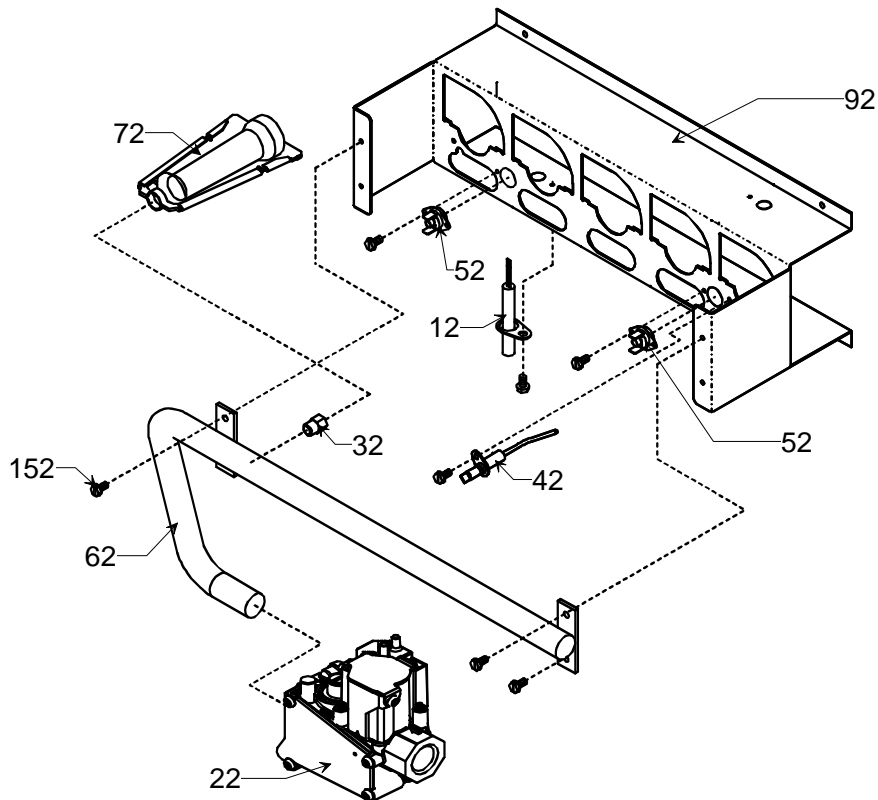


Image 1

Image 2



# Heat Exchanger and Manifold Assembly

Ref. Part No:	Part No:	Description:	Ref. Part No:	Part No:	Description:
---------------	----------	--------------	---------------	----------	--------------

Image 1:

51	20418601	HEAT EXCHANGER ASSY 2B (M1)
51	20418607	HEAT EXCHANGER ASSY 2B (M7)
51	20418602	HEAT EXCHANGER ASSY 3B (M2)
51	20418603	HEAT EXCHANGER ASSY 3B (M3)
51	20418608	HEAT EXCHANGER ASSY 3B (M8)
51	20418609	HEAT EXCHANGER ASSY 3B (M9)
51	20418604	HEAT EXCHANGER ASSY 4B (M4)
51	20418605	HEAT EXCHANGER ASSY 4B (M5)
51	20418610	HEAT EXCHANGER ASSY 4B (M10)
51	20418611	HEAT EXCHANGER ASSY 4B (M11)
51	20418606	HEAT EXCHANGER ASSY 5B (M6)
51	20418612	HEAT EXCHANGER ASSY 5B (M12)
301	20197305	SWITCH-PRESSURE (QTY AR)
321	11072201	SHIELD-ORFICE (M1, M7)
321	11072202	SHIELD-ORFICE (M2, M3, M8, M9)
321	11072203	SHIELD-ORFICE (M4, M5, M10, M11)
321	11072204	SHIELD-ORFICE (M6, M12)
371	20162903	LIMIT-PRIMARY (M3, M9)
371	20162904	LIMIT-PRIMARY (M1, M2, M4, M5, M6, M7, M8, M10, M11, M12)
551	M0219916	SCREW-SM (QTY AR)
651	M0211020	SCREW-SM #8-7/8
NS	20193001	BAFFLE-AIR FUR (M1, M3, M5, M7, M9, M11)
NS	20197303	SWITCH, PRESSURE (M10, M12)

Image 2:

12	20165702	IGNITOR
22	C6476911	VALVE-GAS
32	10716003	ORFICE (QTY AR)
42	10735201	FLAME-SENSOR
52	10123517	LIMIT-RESET MANUAL (ROLLOUT) (M3, M9)
52	10123533	LIMIT-RESET MANUAL (ROLLOUT) (M1, M2, M4, M7, M8, M10)
52	10123534	LIMIT-RESET MANUAL (ROLLOUT) (M5, M6, M11, M12)
62	20196401	MANIFOLD (M1, M7)
62	20196402	MANIFOLD (M2, M3, M8, M9)
62	20196403	MANIFOLD (M4, M5, M10, M11)
62	20196404	MANIFOLD (M6, M12)
72	10735102	BECKETT BURNER (QTY AR)
92	20190405	BRKT-BURNER 2B (M1, M7)
92	20190407	BRKT-BURNER 3B (M2, M3, M8, M9)
92	20190408	BRKT-BURNER 4B (M4, M5, M10, M11)
92	20190409	BRKT-BURNER 5B (M6, M12)
152	20276301S	GROMMET

## Expanded Model and Color Nomenclature

M1 - GULA045AX30	P1245801F
M2 - GULA070AX30	P1245802F
M3 - GULA070AX40	P1245803F
M4 - GULA090AX40	P1245804F
M5 - GULA090AX50	P1245805F
M6 - GULA115AX50	P1245806F
M7 - GULA045CX30	P1253101F
M8 - GULA070CX30	P1253102F
M9 - GULA070CX40	P1253103F
M10 - GULA090CX40	P1253104F
M11 - GULA090CX50	P1253105F
M12 - GULA115CX50	P1253106F

# Recoup Coil Assy/Standpipe Assy

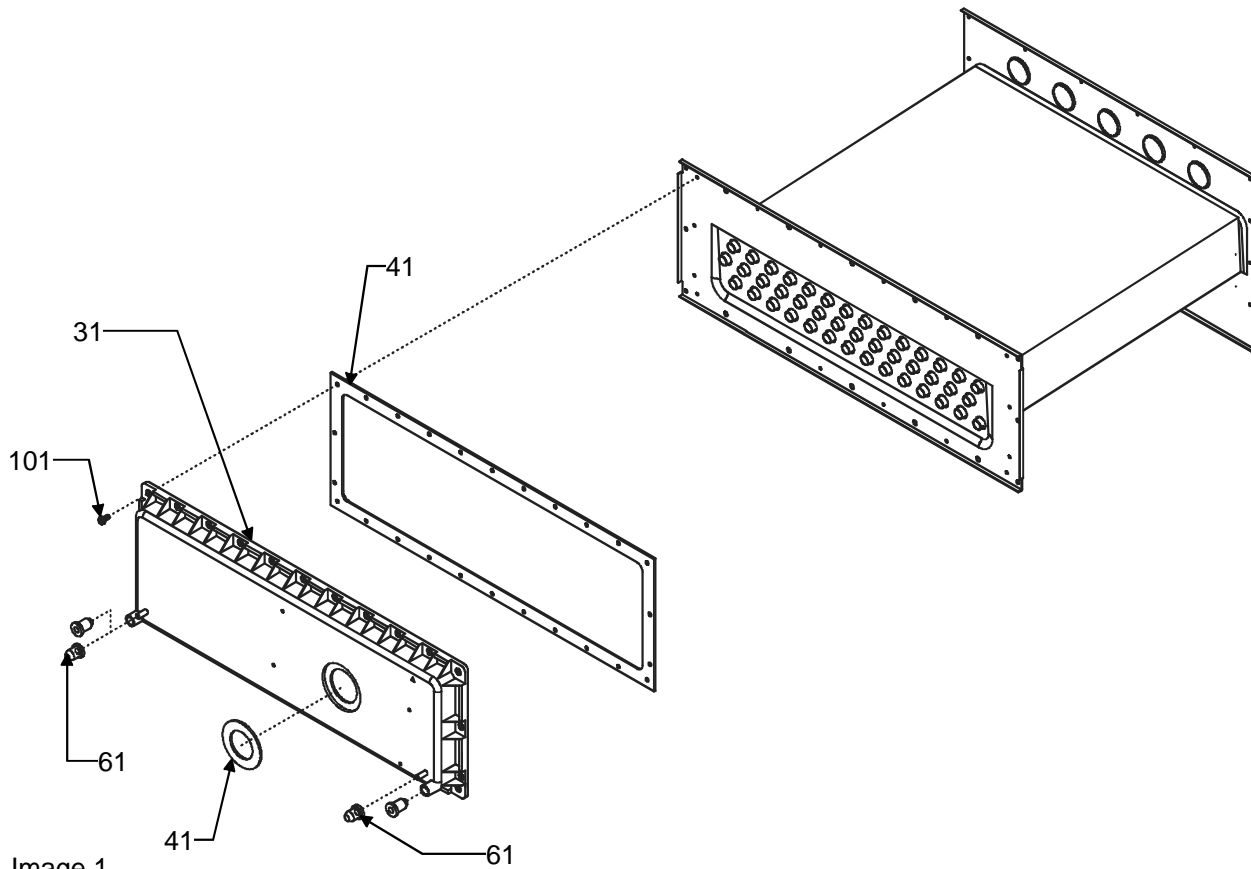
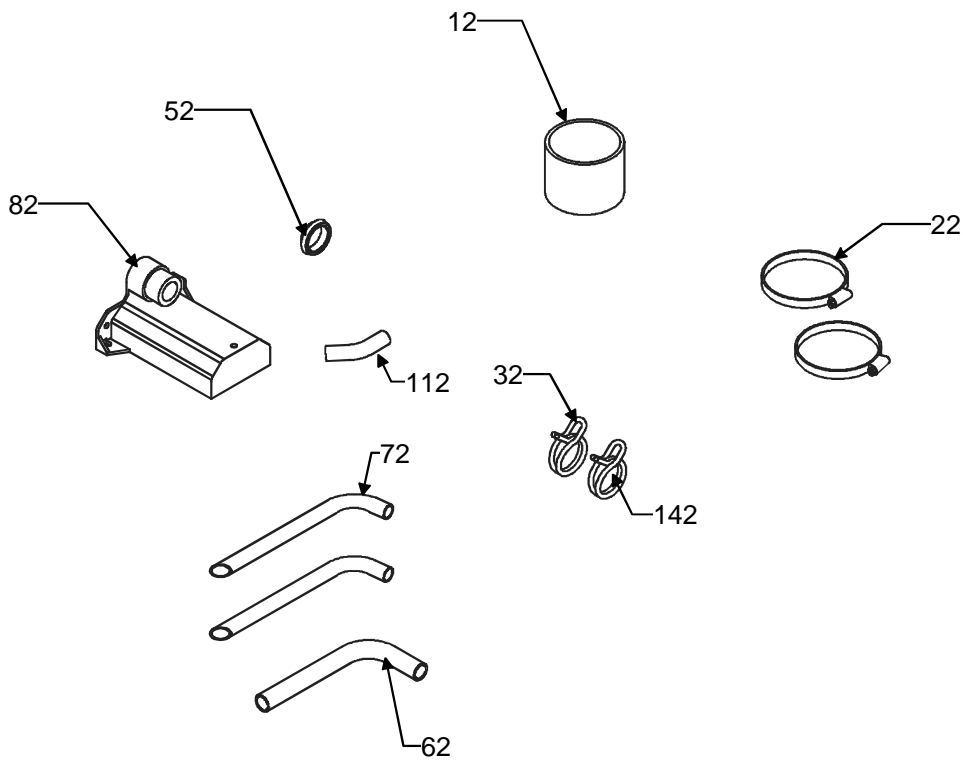


Image 1

Image 2



# Recoup Coil Assy/Standpipe Assy

Ref. Part No:	Part No:	Description:	Ref. Part No:	Part No:	Description:
---------------	----------	--------------	---------------	----------	--------------

*Image 1:*

31	20170801	COVER-FRONT (M1, M7)
31	20170802	COVER-FRONT (M2, M8)
31	20170901	COVER-FRONT (M3, M9)
31	20170902	COVER-FRONT (M4, M10)
31	20171001	COVER-FRONT (M5, M11)
31	20171002	COVER-FRONT (M6, M12)
41	20404401	GASKET-COIL (M1, M2, M7, M8)
41	20404402	GASKET-COIL (M3, M4, M9, M10)
41	20404403	GASKET-COIL (M5, M6, M11, M12)
61	M0326804	PLUG-TUBE (QTY 4)
101	M0211031	SCREW-SM #10-5/8 (QTY AR)

*Image 2:*

12	10254303	COUPLING-RUBBER
32	M0119207	CLAMP-HOSE (RED) (QTY 2)
52	M0570804	PLUG-BUTTON
62	20201901	HOSE-DRAIN
72	20201801	TUBE-DRAIN (QTY 2)
82	20171701	DRAIN TRAP
112	20214202	DRAIN-ANGLE
142	M0119205	CLAMP-HOSE (GREEN) (QTY 5)

Expanded Model and Color Nomenclature

M1 - GULA045AX30	P1245801F
M2 - GULA070AX30	P1245802F
M3 - GULA070AX40	P1245803F
M4 - GULA090AX40	P1245804F
M5 - GULA090AX50	P1245805F
M6 - GULA115AX50	P1245806F
M7 - GULA045CX30	P1253101F
M8 - GULA070CX30	P1253102F
M9 - GULA070CX40	P1253103F
M10 - GULA090CX40	P1253104F
M11 - GULA090CX50	P1253105F
M12 - GULA115CX50	P1253106F