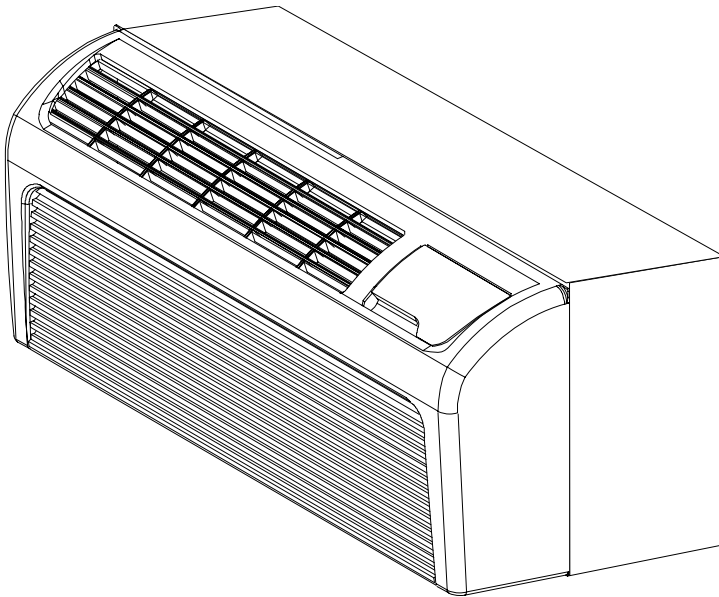


PTH*B Package Terminal Heat Pump w/Condensate Pump or Power Vent Door



Models and manufacturing numbers in this manual

PTH073B15AE	P1248869R
PTH073B25BE	P1248866R
PTH073B25BJ	P1259929R
PTH073B25DJ	P1250806R
PTH073B25JJ	P1254604R
PTH073B25JK	P1255904R
PTH093B25BE	P1248868R
PTH093B25BJ	P1259931R
PTH093B25DJ	P1250807R
PTH093B35JJ	P1254605R
PTH093B35JK	P1255905R
PTH094B35DE	P1250801R
PTH123B35BE	P1252401R
PTH123B35BJ	P1252403R
PTH123B35DE	P1250802R
PTH123B35DJ	P1250804R
PTH123B35JE	P1254601R
PTH123B35JJ	P1254602R
PTH123B50JJ	P1254603R
PTH123B50JK	P1255903R
PTH153B35BE	P1252402R
PTH153B35BJ	P1252404R
PTH153B35DE	P1250803R
PTH153B35DJ	P1250805R
PTH153B50BE	P1248867R
PTH153B50BJ	P1259930R

RP4220032
 Revision 3
 August 2005

Important Information

Index

Functional Parts List	3
Illustration and Parts	4 - 19

Views shown are for parts illustrations only, not servicing procedures.

Revision 1: Adds manufacturing #P1254601R. Revision 2: Adds Mfg # P1250804R, P1250805R, P1252403R, P1253404R, P1254602R, P1239929R, P1259930R, P1259931R, P1254603R, P1254604R, P1254605R, P1255903R, P1255904R and P1255905R. Revision 3: Adds MFG # P1250806R and P1250807R.

Text Codes:

AR - As Required

NA - Not Available

NS - Not Shown

00000000 - See Note

QTY - Quantity Example (QTY 3) (If Quantity not shown, Quantity = 1)

M - Model Example (M1) (If M Code not shown, then part is used on all Models)

Expanded Model Nomenclature:

Example	
M1 - Model#1	P _____
M2 - Model#2	P _____
M3 - Model#3	P _____

Goodman Company, L.P. is not responsible for personal injury or property damage resulting from improper service. Review all service information before beginning repairs.

Warranty service must be performed by an authorized technician, using authorized factory parts. If service is required after the warranty expires, Goodman Company, L.P. also recommends contacting an authorized technician and using authorized factory parts.

Goodman Company, L.P., reserves the right to discontinue, or change at any time, specifications or designs without notice or without incurring obligations. Goodman® brand products are made proudly in the USA.

For assistance within the U.S.A. contact:

Consumer Affairs Department
Goodman Company, L.P.
7401 Security Way
Houston, Texas 77040
877-254-4729-Telephone
713-863-2382-Facsimile

For assistance outside the U.S.A. contact:

International Division
Goodman Manufacturing Company, L.P.
7401 Security Way
Houston, Texas 77040
713-861-2500-Telephone
713-863-2382-Facsimile

Functional Parts

Part No:	Description:	Part No:	Description:
20403508	BASEPAN PNT	20475302	PC-BOARD (M1, M2, M3, M4, M5, M6, M7, M8, M9, M10, M11, M12, M13, M14, M15, M16, M17, M18, M19, M20, M21, M25, M26)
D6789054	CAPACITOR, 15/3/370 (M7, M9, M10, M16, M18, M20, M21, M23, M24, M25, M26)	20515101	PC-BOARD (M22, M23, M24)
D6789063	CAPACITOR, 15/5/440 (M5)	11125301	PUMP-CONDENSATE (M1, M2, M5, M11, M12, M25, M26)
D6789051	CAPACITOR, 30/5/370 (M1, M3, M6, M11, M13, M15, M19, M22)	C8873932	RELAY (M3, M4, M6, M7, M8, M9, M13, M14, M15, M16, M17, M18, M19, M20, M21, M22, M23, M24)
D6789049	CAPACITOR, 35/5/370 (M2, M4, M8, M12, M14, M17)	C8873917	RELAY (M1, M2, M5, M11, M12, M25, M26)
20284922	CAPILLARY TUBE ASSY (M2, M4, M8, M12, M14, M17)	M0216716	SCREW-SM, QTY 4
20284919	CAPILLARY TUBE ASSY (M7, M10, M16, M20, M23, M25)	B1337701	SWITCH, PADDLE (M3, M4, M6, M7, M8, M9, M13, M14, M15, M16, M17, M18, M19, M20, M21, M22, M23, M24)
20284921	CAPILLARY TUBE ASSY (M1, M3, M6, M11, M13, M15, M19, M22)	20295706	THERMISTOR, INDOOR AMBIENT
20284920	CAPILLARY TUBE ASSY (M5, M9, M18, M21, M24, M26)	20295707	THERMISTOR, INDOOR COIL
D6926123H	COMPRESSOR, 2K21T236B (M2, M4, M8, M12, M14, M17)	B1378501	TRANSFORMER, QTY AR (M25, M26)
D6985807H	COMPRESSOR, 2P17S3R236A (M1, M3, M6, M11, M13, M15, M19, M22)	20365801	VALVE, REVERSING ASSY (M1, M3, M6, M11, M13, M15, M19, M22)
D6887711H	COMPRESSOR, 2R13S3R236A (M9, M18, M21, M24, M26)	20365801	VALVE, REVERSING ASSY (M7, M10, M16, M20, M23, M25, M26)
D6887712H	COMPRESSOR, 2R13S3R276A (M5)	20365802	VALVE, REVERSING ASSY (M5)
D6887715H	COMPRESSOR, 2R9U236A6A (M7, M10, M16, M20, M23, M25)	20365801	VALVE, REVERSING ASSY (M9, M18, M21, M24)
20456605BND	COND ASSY PTH (M2, M4, M8, M12, M14, M17)	20365801	VALVE, REVERSING ASSY (M2, M4, M8, M12, M14, M17)
20456604BND	COND ASSY PTH (M1, M3, M6, M11, M13, M15, M19, M22)	11044101	WHEEL, BLOWER
20456603BND	COND ASSY PTH (M5, M7, M9, M10, M16, M18, M20, M21, M23, M24, M25, M26)	SPECIAL PARTS	
20456702	EVAPORATOR ASSY (M1, M2, M3, M4, M6, M8, M11, M12, M13, M14, M15, M17, M19, M22)	1113309	MANUAL-OWNERS (M1, M2, M3, M4, M5, M6, M7, M8, M9, M10)
20457202	EVAPORATOR ASSY (M5, M9, M18, M21, M24, M26)	1113311	MANUAL-OWNERS (M11, M12, M13, M14, M15, M16, M17, M18, M19, M20, M21, M25, M26)
20473902	EVAPORATOR ASSY (M7, M10, M16, M20, M23, M25)	20517603	MANUAL-OWNERS (M22, M23, M24)
A3410403	FUSE, 20 AMP (M1, M2, M3, M4, M5, M6, M7, M8, M9, M10, M11, M12, M13, M14, M15, M16, M17, M18, M19, M20, M21, M22, M23, M24)	RP4220032	MANUAL-PARTS
1116201	HTR 3 1.5KW ASSY (M10)	RS4200003	MANUAL-SERVICE
20517901	HTR 3 2.5KW ASSY (M7, M9, M16, M18, M20, M23)		
20517902	HTR 3 3.5KW ASSY (M1, M2, M3, M4, M6, M11, M12, M13, M14, M15, M21, M24, M25, M26)		
20517903	HTR 3 5.0KW ASSY (M8, M17, M19, M22)		
20460608	HTR 4 3.7KW ASSY (M5)		
11172801	MOTOR (M3, M4, M6, M7, M8, M9, M13, M14, M15, M16, M17, M18, M19, M20, M21, M22, M23, M24)		
11114907	MOTOR, FAN (M7, M9, M10, M16, M18, M20, M21, M23, M24, M25, M26)		
11114908	MOTOR, FAN (M5)		
11114909	MOTOR, FAN (M1, M2, M3, M4, M6, M8, M11, M12, M13, M14, M15, M17, M19, M22)		
D6961636	OVERLOAD (M7, M10, M16, M20, M23, M25)		
D6961612	OVERLOAD (M1, M3, M5, M6, M11, M13, M15, M19, M22)		
D4976682	OVERLOAD (M2, M4, M8)		
D6961639	OVERLOAD (M9, M18, M21, M24, M26)		

Front/Chassis/Condensate Pump

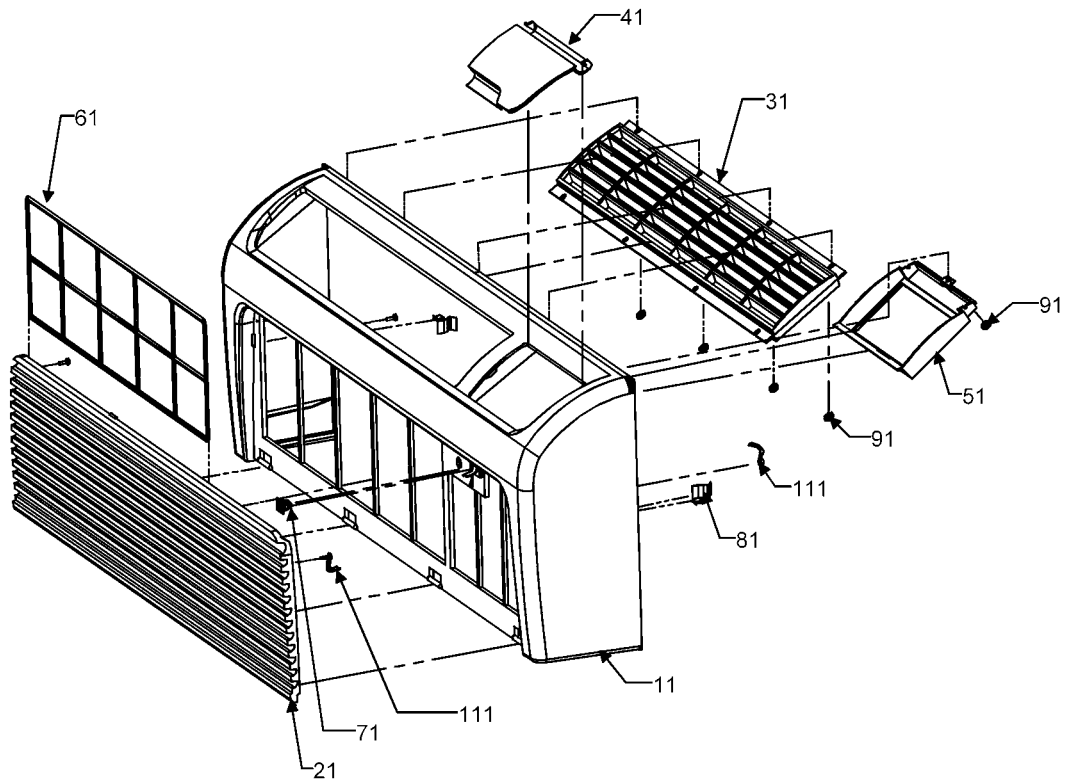
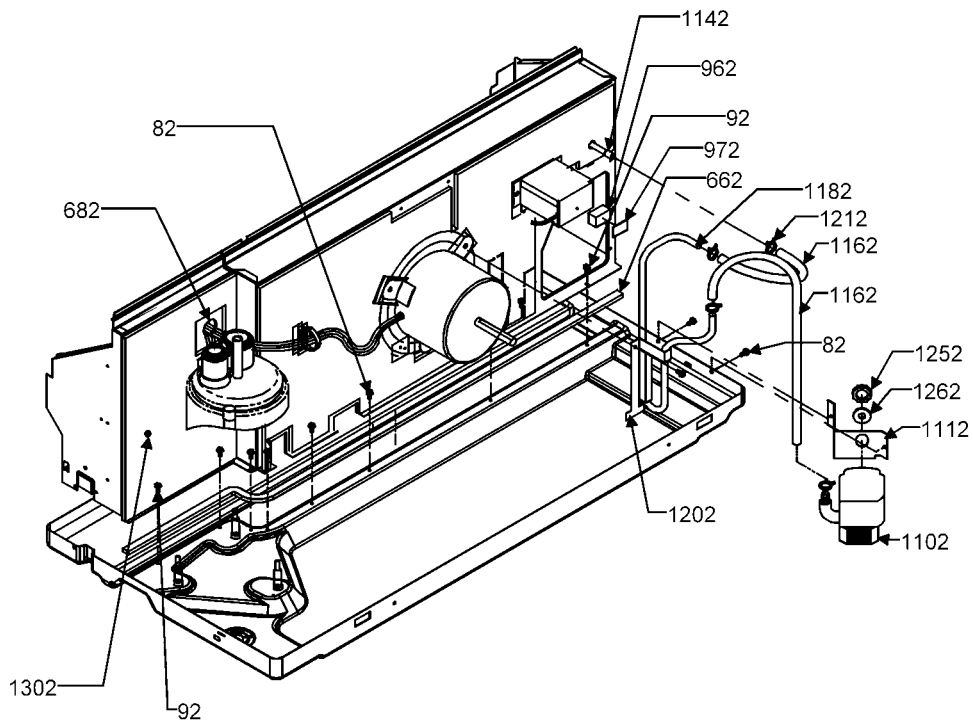


Image 1

Image 2



Front/Chassis/Condensate Pump

**Ref. Part
No: No:**

Description:

**Ref. Part
No: No:**

Description:

Image 1:

11	20415203	FRONT
21	20415402	GRILLE-INTAKE
31	20415301	GRILLE-EXHAUST
41	20415501	DOOR-CONTROL
51	20415601	HOUSING,CONTROL
61	20415801	FILTER
71	10690002	DOOR CATCH ASSY
81	11045102	CLIP-SIDE, QTY 2
91	M0293604	PALNUT, QTY5
111	20480501	RESTRAINT-INLET GRILL, QTY 2

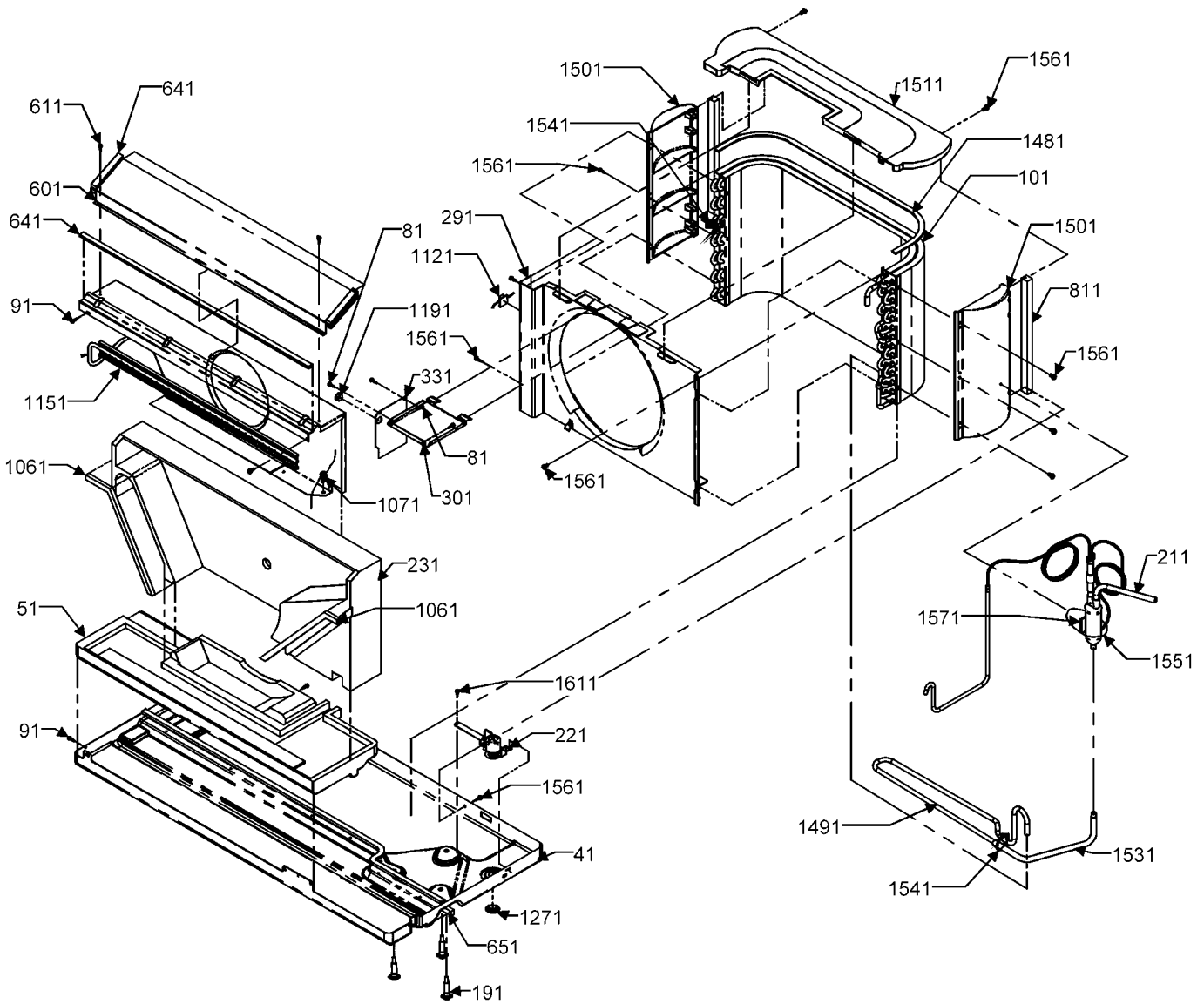
Image 2:

82	M0211216	SCREW-SM, QTY AR
92	M0216716	SCREW-SM, QTY AR
662	10839828	GASKET-.12 X .50 X 43
682	M0275521	SEALER-PLASTIC, QTY 2
962	11178201	INSULATION (M3, M4, M6, M7, M8, M9, M13, M14, M15, M16, M17, M18, M19, M20, M21, M22, M23, M24, M25, M26)
972	11178301	BUMPER (M3, M4, M6, M7, M8, M9, M13, M14, M15, M16, M17, M18, M19, M20, M21, M22, M23, M24, M25, M26)
1102	11125301	PUMP-CONDENSATE (M1, M2, M5, M11, M12, M25, M26)
1112	20185702	BRKT-COND PUMP (M1, M2, M5, M11, M12, M25, M26)
1142	20011202	TUBE-CONDENSATE PTH (M1, M2, M5, M11, M12, M25, M26)
1162	A3435001	TUBE-VINYL (M1, M2, M5, M11, M12, M25, M26)
1182	11165901	TUBE-RESTRICTOR (M1, M2, M5, M25, M26)
1202	11135901	BRKT-RESTRICTOR (M1, M2, M5, M11, M12, M25, M26)
1212	M0119204	CLAMP-HOSE (M1, M2, M5, M11, M12, M25, M26)
1252	10100401	NUT-COND PUMP (M1, M2, M5, M11, M12, M25, M26)
1262	M0270542	WASHER-FLAT (M1, M2, M5, M11, M12, M25, M26)
1302	20417402	INSUL-PARTITION PANEL (M1, M2, M3, M4, M5, M7, M8, M9, M10, M11, M12, M13, M14, M16, M17, M18, M20, M21, M23, M24, M25, M26)

Expanded Model Nomenclature

M1 - PTH123B35DE	P1250802R
M2 - PTH153B35DE	P1250803R
M3 - PTH123B35BE	P1252401R
M4 - PTH153B35BE	P1252402R
M5 - PTH094B35DE	P1250801R
M6 - PTH123B35JE	P1254601R
M7 - PTH073B25BE	P1248866R
M8 - PTH153B50BE	P1248867R
M9 - PTH093B25BE	P1248868R
M10 - PTH073B15AE	P1248869R
M11 - PTH123B35DJ	P1250804R
M12 - PTH153B35DJ	P1250805R
M13 - PTH123B35BJ	P1252403R
M14 - PTH153B35BJ	P1252404R
M15 - PTH123B35JJ	P1254602R
M16 - PTH073B25BJ	P1259929R
M17 - PTH153B50BJ	P1259930R
M18 - PTH093B25BJ	P1259931R
M19 - PTH123B50JJ	P1254603R
M20 - PTH073B25JJ	P1254604R
M21 - PTH093B35JJ	P1254605R
M22 - PTH123B50JK	P1255903R
M23 - PTH073B25JK	P1255904R
M24 - PTH093B35JK	P1255905R
M25 - PTH073B25DJ	P1250806R
M26 - PTH093B25DJ	P1250807R

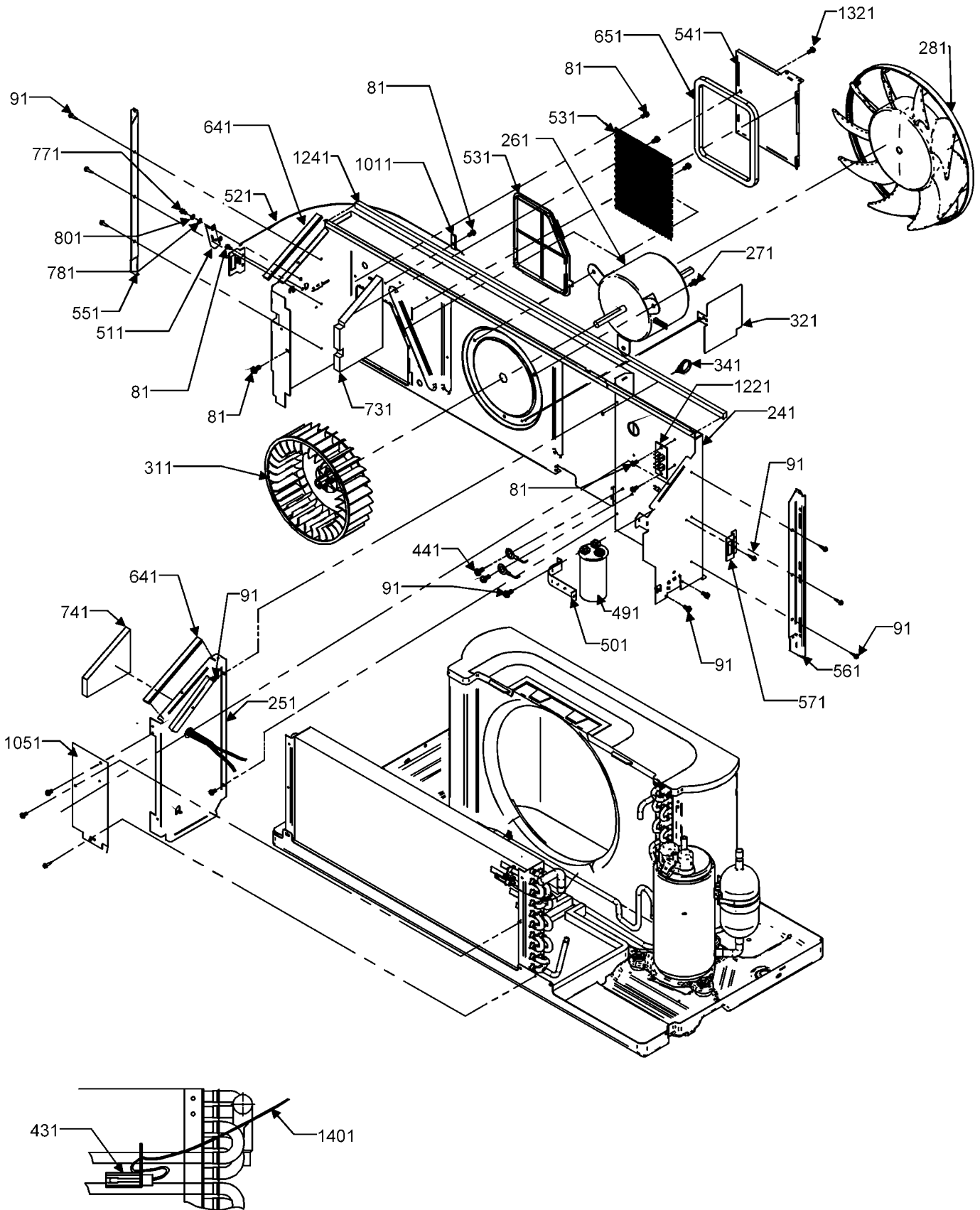
Chassis



Chassis

Ref. Part No:	Ref. Part No:	Description:	Description:	
<i>Image 1:</i>				
41	20403508	BASEPAN PNT	1191 A4554812 BUSHING-SNAP (M1, M2, M3, M4, M5, M6, M8, M11, M12, M13, M14, M15, M17, M19, M22, M25, M26)	
51	20403802	PAD-EVAP PTH	1271 A3080003 PLUG-BUTTON (M1, M2, M5)	
81	M0211216	SCREW-SM, QTY AR	1271 M0570805 PLUG-BUTTON (M11, M12, M25, M26)	
91	M0216716	SCREW-SM, QTY AR	1481 10839812 GASKET, .12 X .50, QTY 2	
101	20456603BND	COND ASSY PTH (M5, M7, M9, M10, M16, M18, M20, M21, M23, M24, M25, M26)	1491 20417101 TUBE- COND (M16, M25)	
101	20456604BND	COND ASSY PTH (M1, M3, M6, M11, M13, M15, M19, M22)	1491 20453901 TUBE-SUBCOOLER (M1, M3, M5, M9, M11, M13, M15, M18, M19, M21, M22, M24, M26)	
101	20456605BND	COND ASSY PTH (M2, M4, M8, M12, M14, M17)	1491 20474301 TUBE-SUBCOOLER (M2, M4, M8, M12, M14, M17)	
191	M0253610	SCREW-SHLDR (M1, M2, M3, M4, M6, M8, M11, M12, M13, M14, M15, M17, M19, M22)	1501 20357001 SIDE COVER-COND	
191	M0253661	SCREW-SHLDR (M5, M7, M9, M10, M16, M18, M20, M21, M23, M24, M25, M26)	1511 20396701 TOP COVER-COND	
211	20451501	TUBE WELD-CAP PTH (M5)	1531 20477802 TUBE-V-SLIT (M1, M2, M3, M4, M5, M6, M7, M8, M9, M10, M11, M12, M13, M14, M15, M16, M26)	
211	20451502	TUBE WELD-CAP PTH (M9, M18, M21, M24, M26)	1541 M0321202 TIE-ELEC LG, QTY AR (M1, M2, M25, M26)	
211	20472701	TUBE WELD-CAP PTH (M1, M3)	1551 M0322201 TIE-ELEC	
211	20472702	TUBE WELD-CAP PTH (M6, M7, M10, M11, M13, M15, M16, M19, M22)	1561 M0211018 SCREW-SM #8-5/8LG, QTY AR (M1, M2, M25, M26)	
211	20473202	TUBE WELD-CAP PTH (M20, M23, M25)	1571 10839827 GASKET-CUT	
211	20474001	TUBE WELD-CAP PTH (M2, M4)	1611 91000801 SCREW	
211	20474002	TUBE WELD-CAP PTH (M8, M12, M14, M17)	Expanded Model Nomenclature	
221	20406302	VALVE-BASEPAN (M3, M4, M7, M8, M9, M10)	M1 - PTH123B35DE	P1250802R
221	20406303	VALVE-BASEPAN (M13, M14, M15, M16, M17, M18, M19, M20, M21, M22, M23, M24)	M2 - PTH153B35DE	P1250803R
231	20356703	SCROLL-BLOWER	M3 - PTH123B35BE	P1252401R
291	20401301	SHROUD-COND PTH	M4 - PTH153B35BE	P1252402R
301	11044201	BRACE-TIE PTH	M5 - PTH094B35DE	P1250801R
331	20417701	BAFFLE-TOP PNT PTH (M1, M2, M3, M4, M5, M6, M7, M8, M9, M10)	M6 - PTH123B35JE	P1254601R
331	20417702	BAFFLE-TOP PNT PTH (M11, M12, M13, M14, M15, M16, M17, M18, M19, M20, M21, M22, M23, M24)	M7 - PTH073B25BE	P1248866R
331	20417702PDG	BAFFLE-TOP PNT PTH (M25, M26)	M8 - PTH153B50BE	P1248867R
601	11123904	SCREEN-PNT DISCH PT (M1, M2, M3, M4, M5, M6, M7, M8, M9, M10)	M9 - PTH093B25BE	P1248868R
601	11123911	SCREEN-PNT DISCH PT (M11, M12, M13, M14, M15, M16, M17, M18, M19, M20, M21, M22, M23, M24, M25, M26)	M10 - PTH073B15AE	P1248869R
611	M0204517	SCREW-SM (M1, M2, M3, M4, M5, M6)	M11 - PTH123B35DJ	P1250804R
611	M0221817	SCREW-SM (M11, M12, M13, M14, M15, M16, M17, M18, M19, M20, M21, M22, M23, M24)	M12 - PTH153B35DJ	P1250805R
641	20455902	GASKET, .50 X .25, QTY AR (M1, M2, M3, M4, M5, M6, M7, M8, M9, M10, M11, M12, M13, M14, M15, M16, M17, M18, M19, M20, M21, M22, M23, M24)	M13 - PTH123B35BJ	P1252403R
651	1839808	GASKET, .37 X .50, QTY AR (M1, M2, M3, M4, M5, M6, M7, M8, M9, M10, M11, M12, M13, M14, M15, M16, M17, M18, M19, M20, M21, M22, M23, M24)	M14 - PTH153B35BJ	P1252404R
811	20455901	GASKET, .62 X .75 (M1, M2, M3, M4, M5, M6, M7, M8, M9, M10, M11, M12, M13, M14, M15, M16, M17, M18, M21, M22, M23, M24)	M15 - PTH123B35JJ	P1254602R
811	10839712	GASKET, .62 X .75, QTY2 (M19, M20, M25, M26)	M16 - PTH073B25BJ	P1259929R
1061	10839700	GASKET, .50 X .50, QTY 2	M17 - PTH153B50BJ	P1259930R
1071	M0120801	CLIP-GUIDE	M18 - PTH093B25BJ	P1259931R
1121	M0104102	CLIP-CORD (M1, M2, M5, M11, M12, M25, M26)	M19 - PTH123B50JJ	P1254603R
1151	10839813	GASKET, .12 X .25 (M1, M2, M5, M11, M12, M25, M26)	M20 - PTH073B25JJ	P1254604R
			M21 - PTH093B35JJ	P1254605R
			M22 - PTH123B50JK	P1255903R
			M23 - PTH073B25JK	P1255904R
			M24 - PTH093B35JK	P1255905R
			M25 - PTH073B25DJ	P1250806R
			M26 - PTH093B25DJ	P1250807R

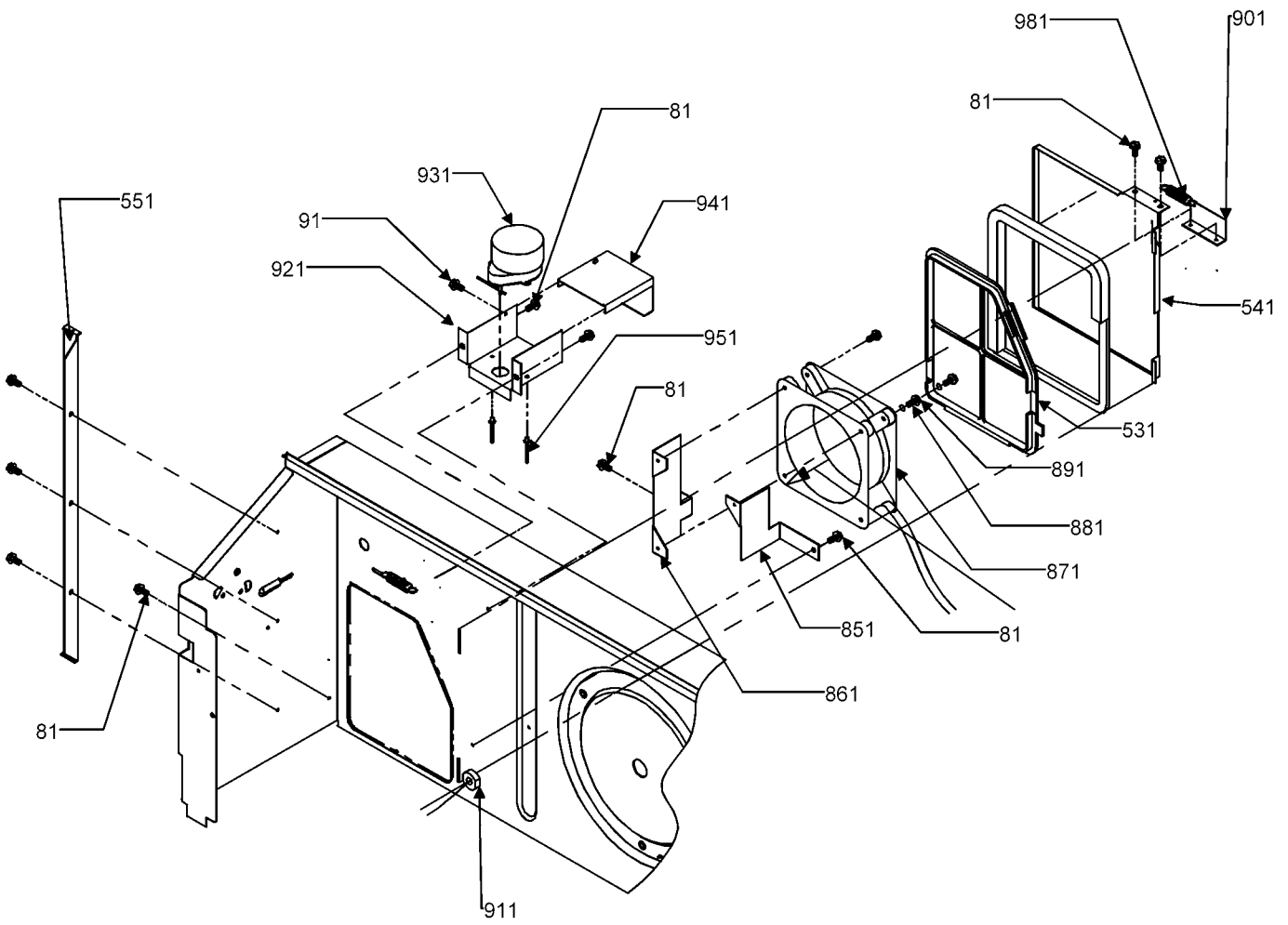
Chassis



Chassis

Ref. Part No:	No:	Description:	Ref. Part No:	No:	Description:
<i>Image 1:</i>			1241	10839807	GASKET, .37 X .75, QTY AR
81	M0211216	SCREW-SM, QTY AR	1321	M0238833	SCREW, SHOULDER (M1, M2, M5, M10, M11, M12, M25, M26)
91	M0216716	SCREW-SM, QTY AR	1401	20295706	THERMISTOR, INDOOR AMBIENT
241	20403106PDG	PANEL-PTN	Expanded Model Nomenclature		
251	20403301	PANEL-MID (M25, M26)	M1 - PTH123B35DE	P1250802R	
251	20403302	PANEL-MID (M1, M2, M3, M4, M5, M6, M7, M8, M9, M10, M11, M12, M13, M14, M15, M16, M17, M18, M19, M20, M21, M22, M23, M24)	M2 - PTH153B35DE	P1250803R	
261	11114907	MOTOR, FAN (M7, M9, M10, M16, M18, M20, M21, M23, M24, M25, M26)	M3 - PTH123B35BE	P1252401R	
261	11114908	MOTOR, FAN (M5)	M4 - PTH153B35BE	P1252402R	
261	11114909	MOTOR, FAN (M1, M2, M3, M4, M6, M8, M11, M12, M13, M14, M15, M17, M19, M22)	M5 - PTH094B35DE	P1250801R	
271	91000901	SCREW-TAP, QTY 3 (M25, M26)	M6 - PTH123B35JE	P1254601R	
271	M0224956	SCREW-TAP, QTY 3 (M1, M2, M3, M4, M5, M6, M7, M8, M9, M10, M11, M12, M13, M14, M15, M16, M17, M18, M19, M20, M21, M22, M23, M24)	M7 - PTH073B25BE	P1248866R	
281	20414601	FAN, PANEL, COND.	M8 - PTH153B50BE	P1248867R	
311	11044101	WHEEL, BLOWER	M9 - PTH093B25BE	P1248868R	
321	20480902	BAFFLE-COND, INLET	M10 - PTH073B15AE	P1248869R	
341	M0118702	CLIP-GLIDE	M11 - PTH123B35DJ	P1250804R	
431	20075601	CLIP, T-STAT (M1, M2, M3, M4, M5, M6, M7, M8, M9, M10, M22, M23, M24)	M12 - PTH153B35DJ	P1250805R	
441	M0227803	SCREW-TC, QTY 2	M13 - PTH123B35BJ	P1252403R	
491	D6789054	CAPACITOR, 15/3/370 (M7, M9, M10, M16, M18, M20, M21, M23, M24, M25, M26)	M14 - PTH153B35BJ	P1252404R	
491	D6789063	CAPACITOR, 15/5/440 (M5)	M15 - PTH123B35JJ	P1254602R	
491	D6789051	CAPACITOR, 30/5/370 (M1, M3, M6, M11, M13, M15, M19, M22)	M16 - PTH073B25BJ	P1259929R	
491	D6789049	CAPACITOR, 35/5/370 (M2, M4, M8, M12, M14, M17)	M17 - PTH153B50BJ	P1259930R	
501	C6300502	STRAP, CAPACITOR	M18 - PTH093B25BJ	P1259931R	
511	11046302	LEVER ARM (M1, M2, M5, M10, M11, M12, M25, M26)	M19 - PTH123B50JJ	P1254603R	
521	11115401	CABLE (M1, M2, M5, M10, M11, M12, M25, M26)	M20 - PTH073B25JJ	P1254604R	
531	20304003	SHEILD, PROTECTION	M21 - PTH093B35JJ	P1254605R	
541	11046105	DOOR, VENT	M22 - PTH123B50JK	P1255903R	
551	20416201	SEAL, LEFT SIDE	M23 - PTH073B25JK	P1255904R	
561	20416101	SEAL, RIGHT SIDE	M24 - PTH093B35JK	P1255905R	
571	11191703	BRKT-PART PAN	M25 - PTH073B25DJ	P1250806R	
641	20455902	GASKET .50 X .25, QTY AR	M26 - PTH093B25DJ	P1250807R	
651	10839808	GASKET .37 X .50, QTY AR			
731	11122901	INSUL, LEFT			
741	11123001	INSUL, RIGHT			
771	M0220757	SCREW, SHOULDER (M1, M2, M5, M10, M11, M12, M25, M26)			
781	M0273701	WASHER, SPRING (M1, M2, M5, M10, M11, M12, M25, M26)			
801	M0270529	WASHER, FLAT (M1, M2, M5, M10, M11, M12, M25, M26)			
1011	M0108103	CLAMP, TUBE (M1, M2, M5, M10, M11, M12, M25, M26)			
1051	20410801	COVER, ACCESS			
1221	B1160701	BOARD-TERM (M3, M4, M6, M7, M8, M9, M13, M14, M15, M16, M17, M18, M19, M20, M21, M22, M23, M24)			

Power Vent



Power Vent

**Ref. Part
No: No:**

Description:

**Ref. Part
No: No:**

Description:

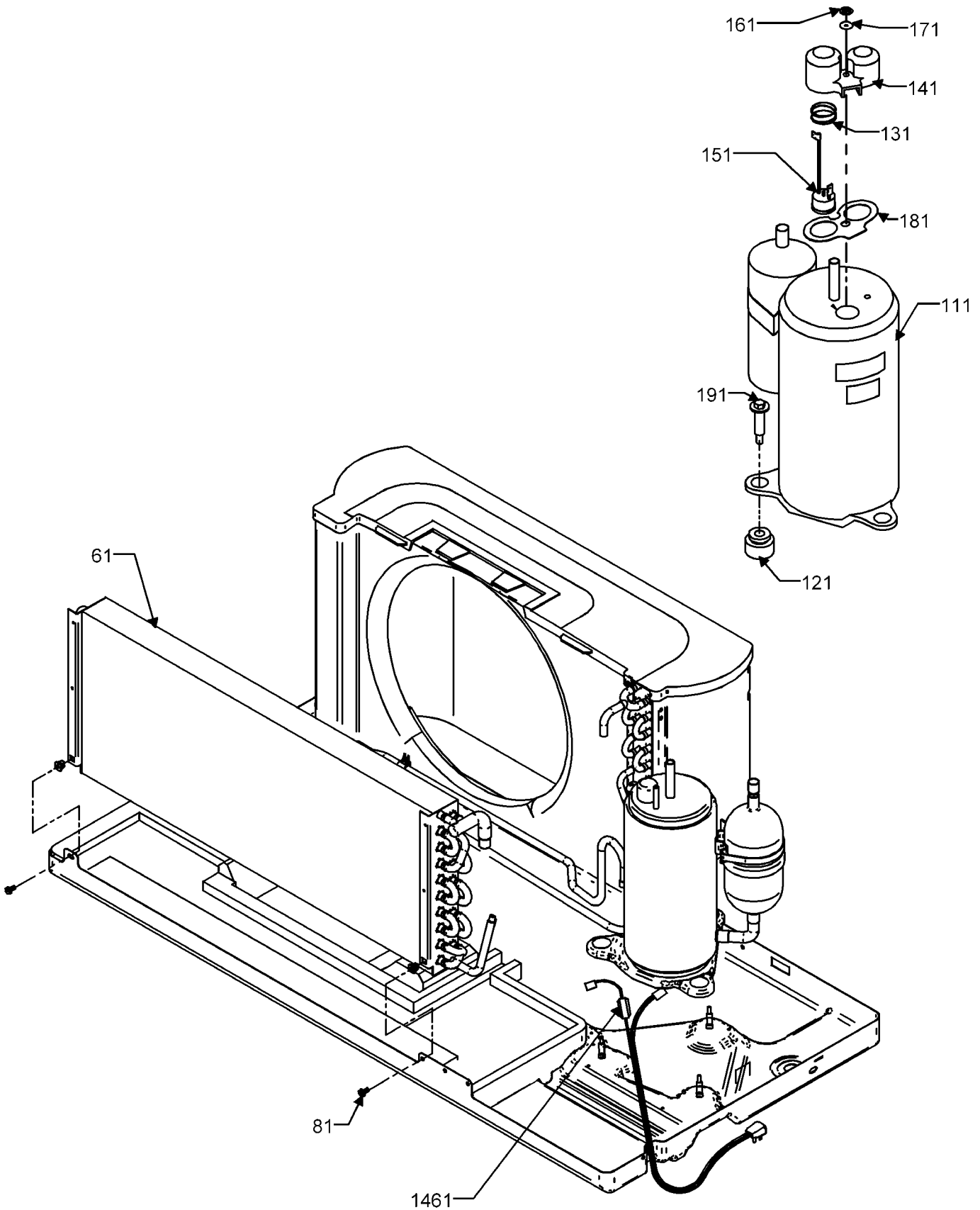
Image 1:

81	M0211216	SCREW-SM, QTY AR
91	M0216716	SCREW-SM, QTY AR
531	20304003	SHEILD, PROTECTION
541	11046105	DOOR, VENT
551	20416201	SEAL, LEFT SIDE
851	11135801	BRKT-R FAN (M3, M4, M7, M8, M9, M13, M14, M16, M17, M18)
861	11145801	BRKT-L FAN (M3, M4, M7, M8, M9, M13, M14, M16, M17, M18)
871	11149201	FAN-MUFFIN (M3, M4, M7, M8, M9, M13, M14, M16, M17, M18)
881	M0272802	WASHER, LOCK (M3, M4, M7, M8, M9, M13, M14, M16, M17, M18)
891	M0211011	SCREW-SM, QTY AR (M3, M4, M7, M8, M9, M13, M14, M16, M17, M18)
901	11166301	BRKT-PWR VENT (M3, M4, M6, M7, M8, M9, M13, M14, M15, M16, M17, M18, M19, M20, M21, M22, M23, M24)
911	M0370005	RELIEF-STRAIN (M3, M4, M7, M8, M9, M13, M14, M16, M17, M18)
921	11166101	BRKT, MOTOR (M3, M4, M6, M7, M8, M9, M13, M14, M15, M16, M17, M18, M19, M20, M21, M22, M23, M24)
931	11172801	MOTOR (M3, M4, M6, M7, M8, M9, M13, M14, M15, M16, M17, M18, M19, M20, M21, M22, M23, M24)
941	11166201	BRKT, COVER (M3, M4, M6, M7, M8, M9, M13, M14, M15, M16, M17, M18, M19, M20, M21, M22, M23, M24)
951	A4539606	RIVET-POP (M3, M4, M6, M7, M8, M9, M13, M14, M15, M16, M17, M18, M19, M20, M21, M22, M23, M24)
981	11166401	SPRING, EXTENSION (M3, M4, M6, M7, M8, M9, M13, M14, M15, M16, M17, M18, M19, M20, M21, M22, M23, M24)

Expanded Model Nomenclature

M1 - PTH123B35DE	P1250802R
M2 - PTH153B35DE	P1250803R
M3 - PTH123B35BE	P1252401R
M4 - PTH153B35BE	P1252402R
M5 - PTH094B35DE	P1250801R
M6 - PTH123B35JE	P1254601R
M7 - PTH073B25BE	P1248866R
M8 - PTH153B50BE	P1248867R
M9 - PTH093B25BE	P1248868R
M10 - PTH073B15AE	P1248869R
M11 - PTH123B35DJ	P1250804R
M12 - PTH153B35DJ	P1250805R
M13 - PTH123B35BJ	P1252403R
M14 - PTH153B35BJ	P1252404R
M15 - PTH123B35JJ	P1254602R
M16 - PTH073B25BJ	P1259929R
M17 - PTH153B50BJ	P1259930R
M18 - PTH093B25BJ	P1259931R
M19 - PTH123B50JJ	P1254603R
M20 - PTH073B25JJ	P1254604R
M21 - PTH093B35JJ	P1254605R
M22 - PTH123B50JK	P1255903R
M23 - PTH073B25JK	P1255904R
M24 - PTH093B35JK	P1255905R
M25 - PTH073B25DJ	P1250806R
M26 - PTH093B25DJ	P1250807R

Compressor/Tubing



Compressor/Tubing

**Ref. Part
No: No:**

Description:

**Ref. Part
No: No:**

Description:

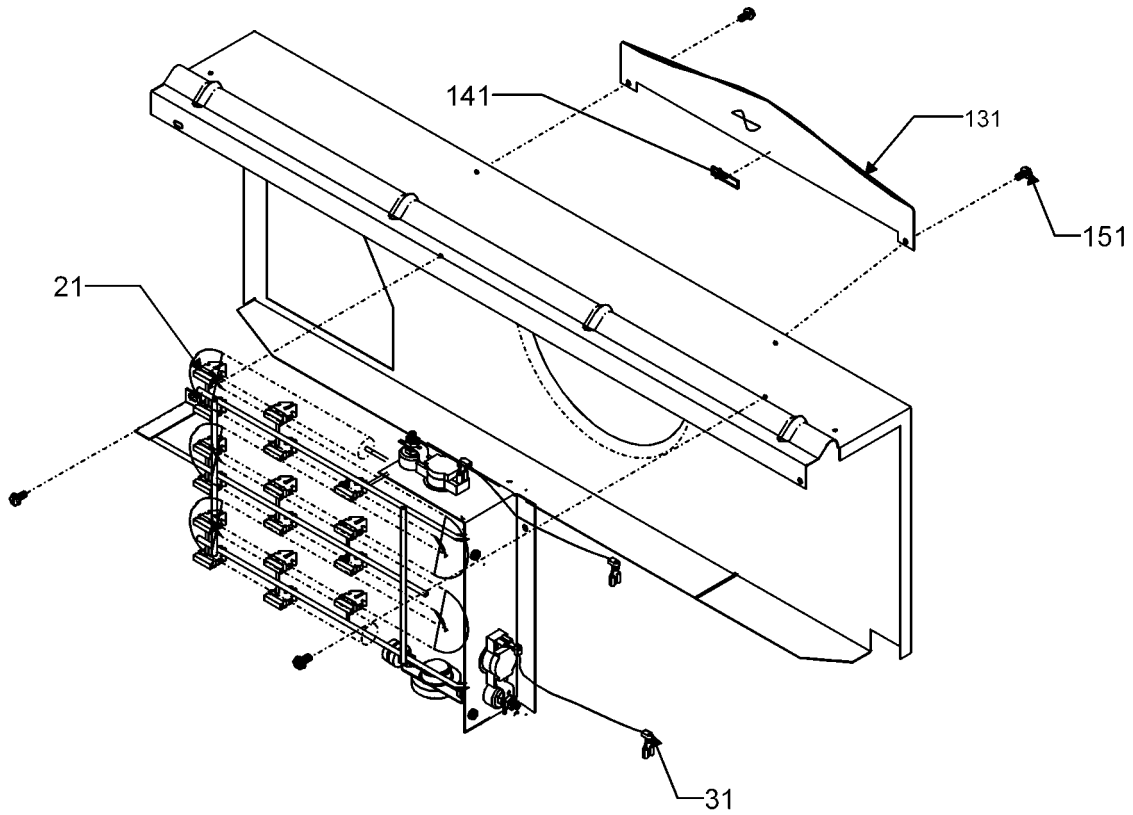
Image 1:

61	20456702	EVAPORATOR ASSY (M1, M2, M3, M4, M6, M8, M11, M12, M13, M14, M15, M17, M19, M22)
61	20457202	EVAPORATOR ASSY (M5, M9, M18, M21, M24, M26)
61	20473902	EVAPORATOR ASSY (M7, M10, M16, M20, M23, M25)
81	M0211216	SCREW-SM, QTY AR
111	D6926123H	COMPRESSOR, 2K21T236B (M2, M4, M8, M12, M14, M17)
111	D6985807H	COMPRESSOR, 2P17S3R236A (M1, M3, M6, M11, M13, M15, M19, M22)
111	D6887711H	COMPRESSOR, 2R13S3R236A (M9, M18, M21, M24, M26)
111	D6887712H	COMPRESSOR, 2R13S3R276A (M5)
111	D6887715H	COMPRESSOR, 2R9U236A6A (M7, M10, M16, M20, M23, M25)
121	A3448602	GROMMET (M1, M2, M3, M4, M6, M8, M11, M12, M13, M14, M15, M17, M19, M22)
121	A4622801	GROMMET (M5, M7, M9, M10, M16, M18, M20, M21, M23, M24, M25, M26)
131	A3436901	SPRING, OVERLOAD (M1, M2, M3, M4, M5, M6, M7, M8, M9, M10, M11, M13, M15, M16, M18, M19, M20, M21, M22, M23, M24, M25, M26)
141	10329001	COVER, TERMINAL
151	D4976682	OVERLOAD (M2, M4, M8)
151	D6961612	OVERLOAD (M1, M3, M5, M6, M11, M13, M15, M19, M22)
151	D6961636	OVERLOAD (M7, M10, M16, M20, M23, M25)
151	D6961639	OVERLOAD (M9, M18, M21, M24, M26)
161	A3436601	NUT, TERMINAL COVER
171	A3436801	GASKET, NUT
181	A3436701	GASKET, TERMINAL COVER
191	M0253610	SCREW, SHOULDER (M1, M2, M3, M4, M6, M8, M11, M12, M13, M14, M15, M17, M19, M22)
191	M0253661	SCREW, SHOULDER (M5, M7, M9, M10, M16, M18, M20, M21, M23, M24, M25, M26)
1461	20320702	CLAMP ON FERRITE (M1, M2, M3, M4, M5, M6, M7, M8, M9, M10)

Expanded Model Nomenclature

M1 - PTH123B35DE	P1250802R
M2 - PTH153B35DE	P1250803R
M3 - PTH123B35BE	P1252401R
M4 - PTH153B35BE	P1252402R
M5 - PTH094B35DE	P1250801R
M6 - PTH123B35JE	P1254601R
M7 - PTH073B25BE	P1248866R
M8 - PTH153B50BE	P1248867R
M9 - PTH093B25BE	P1248868R
M10 - PTH073B15AE	P1248869R
M11 - PTH123B35DJ	P1250804R
M12 - PTH153B35DJ	P1250805R
M13 - PTH123B35BJ	P1252403R
M14 - PTH153B35BJ	P1252404R
M15 - PTH123B35JJ	P1254602R
M16 - PTH073B25BJ	P1259929R
M17 - PTH153B50BJ	P1259930R
M18 - PTH093B25BJ	P1259931R
M19 - PTH123B50JJ	P1254603R
M20 - PTH073B25JJ	P1254604R
M21 - PTH093B35JJ	P1254605R
M22 - PTH123B50JK	P1255903R
M23 - PTH073B25JK	P1255904R
M24 - PTH093B35JK	P1255905R
M25 - PTH073B25DJ	P1250806R
M26 - PTH093B25DJ	P1250807R

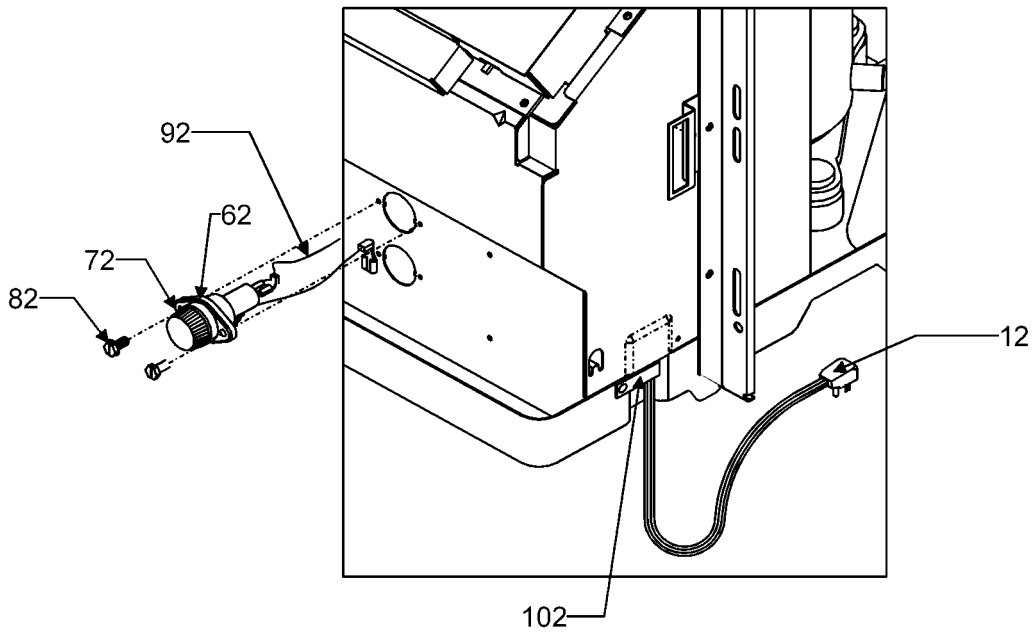
Heater/Cord



SINGLE STAGE HEAT

Image 1

Image 2



Heater/Cord

Ref. Part No:	No:	Description:	Ref. Part No:	No:	Description:
<i>Image 1:</i>			Expanded Model Nomenclature		
21	1116201	HTR 3 1.5KW ASSY (M10)	M1 - PTH123B35DE	P1250802R	
21	20517901	HTR 3 2.5KW ASSY (M7, M9, M16, M18, M20, M23)	M2 - PTH153B35DE	P1250803R	
21	20517902	HTR 3 3.5KW ASSY (M1, M2, M3, M4, M6, M11, M12, M13, M14, M15, M21, M24, M25, M26)	M3 - PTH123B35BE	P1252401R	
21	20517903	HTR 3 5.0KW ASSY (M8, M17, M19, M22)	M4 - PTH153B35BE	P1252402R	
21	20460608	HTR 4 3.7KW ASSY (M5)	M5 - PTH094B35DE	P1250801R	
31	20260805	WIRE, JUMPER, BR34, QTY 2	M6 - PTH123B35JE	P1254601R	
131	20481001	INTAKE, EXT-BLOWER (M1, M2, M3, M4, M5, M6, M7, M8, M9, M10, M11, M12, M13, M14, M15, M16, M17, M18)	M7 - PTH073B25BE	P1248866R	
141	10839722	GASKET .25 X .06	M8 - PTH153B50BE	P1248867R	
151	M0216716	SCREW-SM, QTY 2	M9 - PTH093B25BE	P1248868R	
<i>Image 2:</i>			M10 - PTH073B15AE	P1248869R	
12	22309901	CORD, 230V 15 AMP (M16, M18, M20, M23, M25, M26)	M11 - PTH123B35DJ	P1250804R	
12	22309902	CORD, 230V 20 AMP (M11, M12, M13, M14, M15, M21, M24)	M12 - PTH153B35DJ	P1250805R	
12	22309903	CORD, 230V 30 AMP (M17, M19, M22)	M13 - PTH123B35BJ	P1252403R	
12	11114401	CORD, 250V 15 AMP (M7, M9, M10)	M14 - PTH153B35BJ	P1252404R	
12	11114501	CORD, 250V 20 AMP (M1, M2, M3, M4, M6)	M15 - PTH123B35JJ	P1254602R	
12	11114601	CORD, 250V 30 AMP (M8)	M16 - PTH073B25BJ	P1259929R	
12	11114701	CORD, 277V 20 AMP (M5)	M17 - PTH153B50BJ	P1259930R	
62	C6476002	HOLDER, BAYONET FUSE (M1, M2, M3, M4, M5, M6, M7, M8, M9, M10, M11, M12, M13, M14, M15, M16, M17, M18, M19, M20, M21, M22, M23, M24)	M18 - PTH093B25BJ	P1259931R	
72	A3410403	FUSE, 20 AMP (M1, M2, M3, M4, M5, M6, M7, M8, M9, M10, M11, M12, M13, M14, M15, M16, M17, M18, M19, M20, M21, M22, M23, M24)	M19 - PTH123B50JJ	P1254603R	
82	M0211216	SCREW-SM, QTY AR	M20 - PTH073B25JJ	P1254604R	
92	10618850	WIRE, JUMPER, BK18 (M1, M2, M3, M4, M5, M6, M7, M8, M9, M10, M11, M12, M13, M14, M15, M16, M17, M18, M19, M20, M21, M22, M23, M24)	M21 - PTH093B35JJ	P1254605R	
102	M0103905	CLAMP, SPEED (M7, M9, M10, M16, M18, M20, M25, M26)	M22 - PTH123B50JK	P1255903R	
102	M0103906	CLAMP, SPEED (M1, M2, M3, M4, M5, M6, M8, M11, M12, M13, M14, M15, M17, M19, M21, M22, M23, M24)	M23 - PTH073B25JK	P1255904R	
			M24 - PTH093B35JK	P1255905R	
			M25 - PTH073B25DJ	P1250806R	
			M26 - PTH093B25DJ	P1250807R	

Control Panel

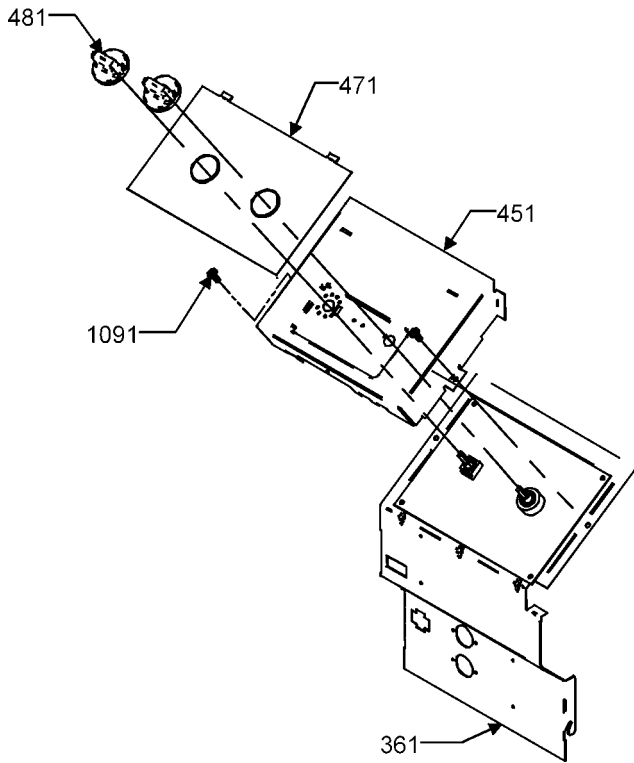


Image 1

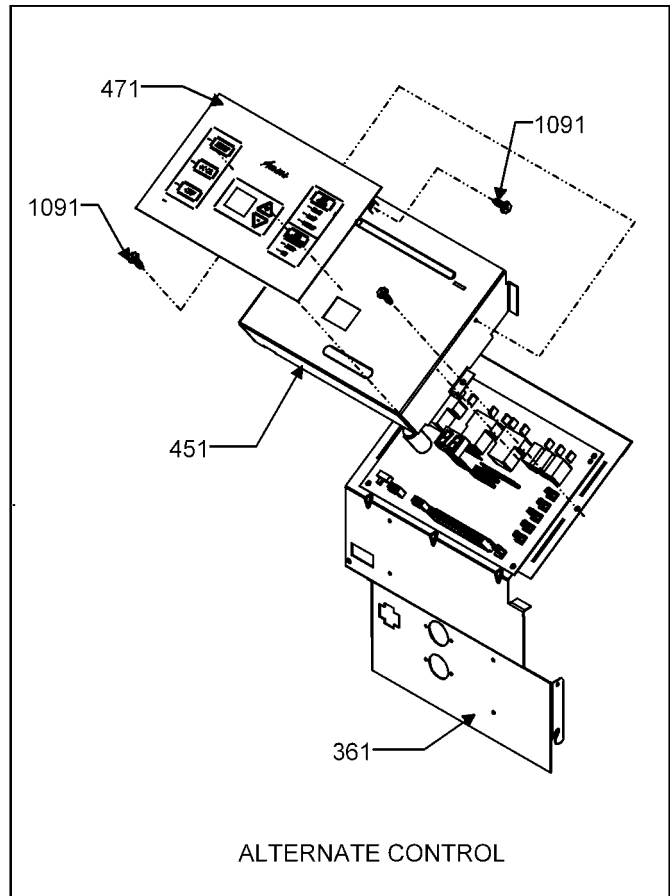
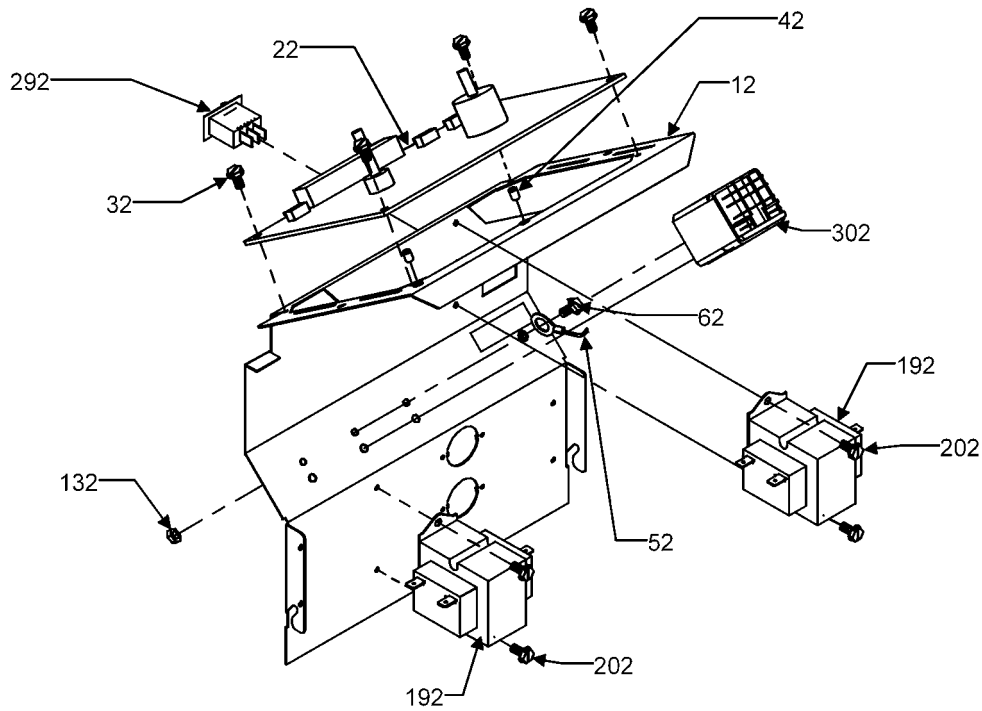


Image 2



Control Panel

Ref. Part No:	Ref. Part No:	Description:	Description:
---------------	---------------	--------------	--------------

Image 1:

361	11044505	CONTROL PANEL ASSY (M1, M2, M3, M4, M5, M6, M7, M8, M9, M10, M11, M12, M13, M14, M15, M16, M17, M18, M19, M20, M21, M22, M23, M24)
361	11121605	CONTROL PANEL ASSY (M25, M26)
451	0121P00000P	COVER, CONTROL PANEL (M25, M26)
451	11044404	COVER, CONTROL PANEL (M1, M2, M3, M4, M5, M6, M7, M8, M9, M10, M11, M12, M13, M14, M15, M16, M17, M18, M19, M20, M21)
451	20514901	COVER, CONTROL PANEL (M22, M23, M24)
471	20515201	MEMBRANE, CONTROL (M22, M23, M24)
471	20480702	PLATE-ESC (M1, M2, M3, M4, M5, M6, M7, M8, M9, M10, M11, M12, M13, M14, M15, M16, M17, M18, M19, M20, M21, M25, M26)
481	11042903	KNOB, CONTROL (M1, M2, M3, M4, M5, M6, M7, M8, M9, M10, M11, M12, M13, M14, M15, M16, M17, M18, M19, M20, M21, M25, M26)
1091	M0216529	SCREW-SM, QTY AR
NS	20295707	THERMISTOR, INDOOR COIL

Image 2:

12	11044505	PANEL, CONTROL
22	20475302	PC-BOARD (M1, M2, M3, M4, M5, M6, M7, M8, M9, M10, M11, M12, M13, M14, M15, M16, M17, M18, M19, M20, M21, M25, M26)
22	20515101	PC-BOARD (M22, M23, M24)
32	M0216529	SCREW-SM, QTY 4
42	M0590702	SUPPORT, QTY 2
52	10618849	WIRE, JUMPER, GN1
62	M0227803	SCREW-SM (M25, M26)
132	M0282005	HUT,KEEPS (M1, M2, M3, M4, M5, M6, M7, M8, M9, M11, M12, M13, M14, M15, M16, M17, M18, M19, M20, M21, M22, M23, M24, M25, M26)
192	20512501	TRANSFORMER, QTY AR (M1, M2, M3, M4, M5, M6, M7, M8, M9, M10, M11, M12, M13, M14, M15, M16, M17, M18, M19, M20, M21, M22, M23, M24)
192	B1378501	TRANSFORMER, QTY AR (M25, M26)
202	M0216716	SCREW-SM, QTY 4
292	B1337701	SWITCH, PADDLE (M3, M4, M6, M7, M8, M9, M13, M14, M15, M16, M17, M18, M19, M20, M21, M22, M23, M24)
302	C8873917	RELAY (M1, M2, M5, M11, M12, M25, M26)
302	C8873932	RELAY (M3, M4, M6, M7, M8, M9, M13, M14, M15, M16, M17, M18, M19, M20, M21, M22, M23, M24)

Expanded Model Nomenclature

M1 - PTH123B35DE	P1250802R
M2 - PTH153B35DE	P1250803R
M3 - PTH123B35BE	P1252401R
M4 - PTH153B35BE	P1252402R
M5 - PTH094B35DE	P1250801R
M6 - PTH123B35JE	P1254601R
M7 - PTH073B25BE	P1248866R
M8 - PTH153B50BE	P1248867R
M9 - PTH093B25BE	P1248868R
M10 - PTH073B15AE	P1248869R
M11 - PTH123B35DJ	P1250804R
M12 - PTH153B35DJ	P1250805R
M13 - PTH123B35BJ	P1252403R
M14 - PTH153B35BJ	P1252404R
M15 - PTH123B35JJ	P1254602R
M16 - PTH073B25BJ	P1259929R
M17 - PTH153B50BJ	P1259930R
M18 - PTH093B25BJ	P1259931R
M19 - PTH123B50JJ	P1254603R
M20 - PTH073B25JJ	P1254604R
M21 - PTH093B35JJ	P1254605R
M22 - PTH123B50JK	P1255903R
M23 - PTH073B25JK	P1255904R
M24 - PTH093B35JK	P1255905R
M25 - PTH073B25DJ	P1250806R
M26 - PTH093B25DJ	P1250807R

Capillary Tubing/Reversing Valve Weld

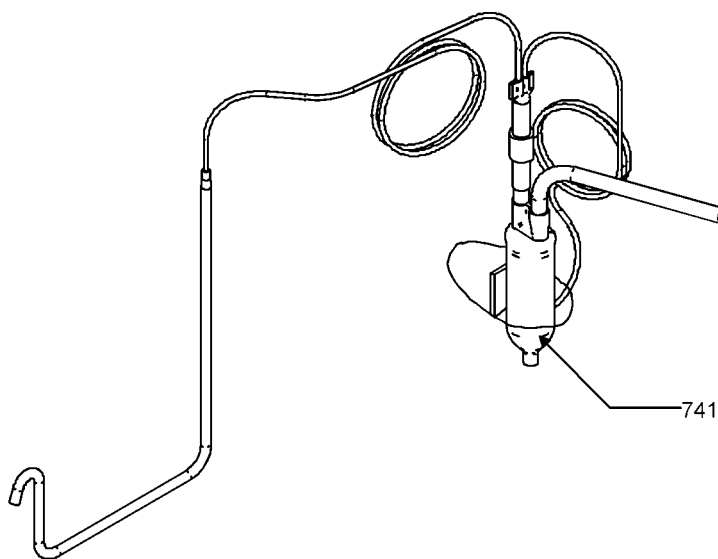


Image 1

Image 2

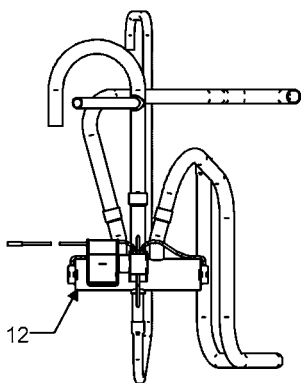


Image 3

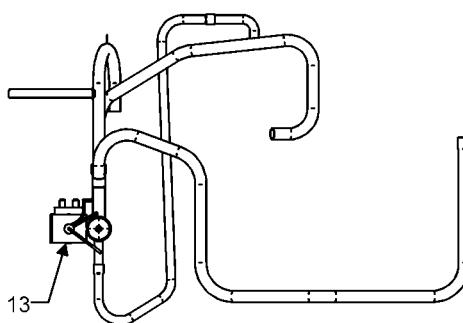


Image 4

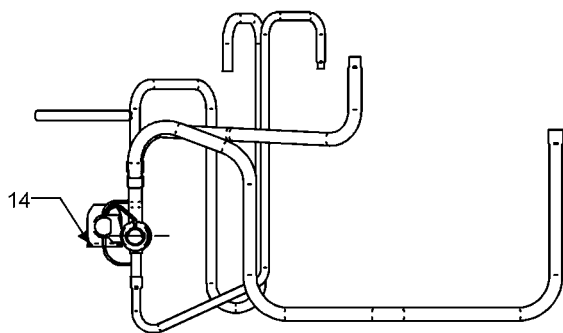
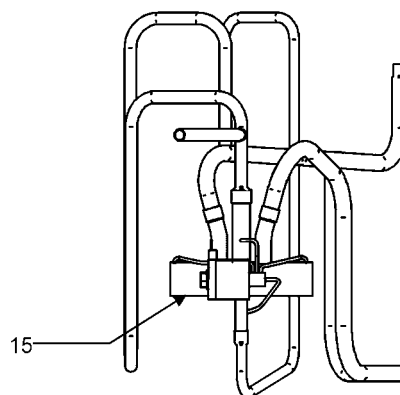


Image 5



Capillary Tubing/Reversing Valve Weld

Ref. Part No:	No:	Description:	Ref. Part No:	No:	Description:
---------------	-----	--------------	---------------	-----	--------------

Image 1:

741	20284919	CAPILLARY TUBE ASSY (M7, M10, M16, M20, M23, M25)
741	20284920	CAPILLARY TUBE ASSY (M5, M9, M18, M21, M24, M26)
741	20284921	CAPILLARY TUBE ASSY (M1, M3, M6, M11, M13, M15, M19, M22)
741	20284922	CAPILLARY TUBE ASSY (M2, M4, M8, M12, M14, M17)

Image 2:

12	20365801	VALVE, REVERSING ASSY (M1, M3, M6, M11, M13, M15, M19, M22)
----	----------	---

Image 3:

13	20365801	VALVE, REVERSING ASSY (M2, M4, M8, M12, M14, M17)
----	----------	---

Image 4:

14	20365801	VALVE, REVERSING ASSY (M9, M18, M21, M24)
14	20365802	VALVE, REVERSING ASSY (M5)

Image 5:

15	20365801	VALVE, REVERSING ASSY (M7, M10, M16, M20, M23, M25, M26)
----	----------	--

Expanded Model Nomenclature

M1 - PTH123B35DE	P1250802R
M2 - PTH153B35DE	P1250803R
M3 - PTH123B35BE	P1252401R
M4 - PTH153B35BE	P1252402R
M5 - PTH094B35DE	P1250801R
M6 - PTH123B35JE	P1254601R
M7 - PTH073B25BE	P1248866R
M8 - PTH153B50BE	P1248867R
M9 - PTH093B25BE	P1248868R
M10 - PTH073B15AE	P1248869R
M11 - PTH123B35DJ	P1250804R
M12 - PTH153B35DJ	P1250805R
M13 - PTH123B35BJ	P1252403R
M14 - PTH153B35BJ	P1252404R
M15 - PTH123B35JJ	P1254602R
M16 - PTH073B25BJ	P1259929R
M17 - PTH153B50BJ	P1259930R
M18 - PTH093B25BJ	P1259931R
M19 - PTH123B50JJ	P1254603R
M20 - PTH073B25JJ	P1254604R
M21 - PTH093B35JJ	P1254605R
M22 - PTH123B50JK	P1255903R
M23 - PTH073B25JK	P1255904R
M24 - PTH093B35JK	P1255905R
M25 - PTH073B25DJ	P1250806R
M26 - PTH093B25DJ	P1250807R