

Models and manufacturing
numbers in this manual

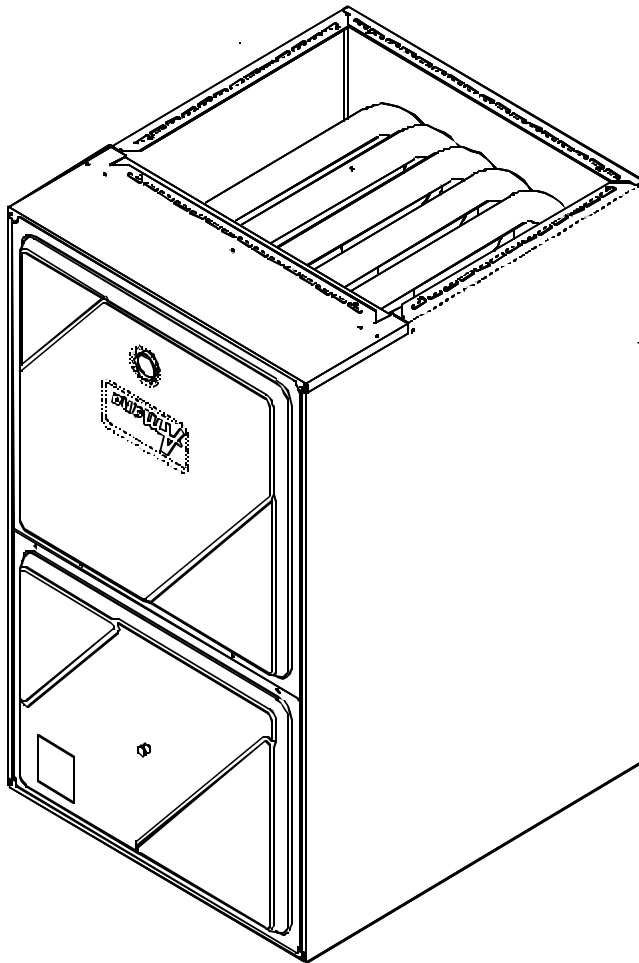
GCLA070AX30	P1249802F
GCLA070CX30	P1253202F
GCLA090AX40	P1249804F
GCLA090CX40	P1253204F
GCLA115AX50	P1249806F
GCLA115CX50	P1253206F

Service Parts

GCLA 90% Counterflow Gas Furnace

This manual replace RP6612003.

This manual is to be used by qualified appliance technicians only.



Amana is a trademark of Maytag Worldwide N.V. and used under
license to Goodman Company, L.P. All rights reserved.

RP6612003
Revision 1
November 2003

Copyright © 2003 Goodman Company, L.P.

Important Information

Goodman Company, L.P. is not responsible for personal injury or property damage resulting from improper service. Review all service information before beginning repairs.

Warranty service must be performed by an authorized technician, using authorized factory parts. If service is required after the warranty expires, Goodman Company, L.P. also recommends contacting an authorized technician and using authorized factory parts.

For assistance within the U.S.A. contact:
Consumer Affairs Department
Goodman Company, L.P.
7401 Security Way
Houston, Texas 77040
877-254-4729-Telephone
713-863-2382-Facsimile

For assistance outside the U.S.A. contact:
International Division
Goodman Company, L.P.
7401 Security Way
Houston, Texas 77040
713-861-2500-Telephone
713-863-2382-Facsimile

Index

Functional Parts List	4 - 5
Illustration and Parts	6 - 15

Views shown are for parts illustrations only, not servicing procedures.

Revision 1 Adds GCLA*CX models.

Text Codes:

AR - As Required

NA - Not Available

NS - Not Shown

00000000 - See Note

QTY - Quantity Example (QTY 3) (If Quantity not shown, Quantity = 1)

M - Model Example (M1) (If M Code not shown, then part is used on all Models)

Expanded Model and Color Nomenclature:

Example	
M1 - Model#1	P _____
M2 - Model#2	P _____
M3 - Model#3	P _____

Functional Parts

Part

No:

Description:

10735102	BECKETT BURNER (QTY AR)
20190601	BLOWER-I.D.
D6879740	CAPACITOR (M1, M3, M6)
D6879746	CAPACITOR (M2, M4, M5)
10207718	CONTROL-INTEG
10735201	FLAME-SENSOR
20200908	HARNESS-WIRING (BLOWER)
20276006	HARNESS-WIRING (MAIN)
20194407	HEAT EXCHANGER ASSY 3B (M1)
20194417	HEAT EXCHANGER ASSY 3B (M4)
20194410	HEAT EXCHANGER ASSY 4B (M3)
20194418	HEAT EXCHANGER ASSY 4B (M5)
20194408	HEAT EXCHANGER ASSY 4B (M2)
20194419	HEAT EXCHANGER ASSY 5B (M6)
20165703	IGNITOR
20162906	LIMIT PRIMARY (M1, M4)
20162907	LIMIT PRIMARY (M3, M6)
20162904	LIMIT PRIMARY (M2, M5)
10123519	LIMIT-RESET MAN AUXILIARY (QTY 2)
10123534	LIMIT-RESET MAN ROLLOUT (M2, M3, M5)
10123517	LIMIT-RESET MAN ROLLOUT (M1, M4, M6)
20196404	MANIFOLD (M3, M6)
20196403	MANIFOLD (M2)
20196402	MANIFOLD (M4)
20196402	MANIFOLD (M1, M4)
10759309	MOTOR BLOWER 1/2 HP (M2, M5)
10759310	MOTOR, BLOWER 1/2 HP (M4)
10759311	MOTOR-BLOW 1/2 HP (M1, M3, M6)
10716003	ORIFICE (QTY AR)
10690402	SWITCH-INTERLOCK
20197306	SWITCH-PRESSURE (QTY 2)
C6349703	TRANSFORMER
C6476911	VALVE-GAS
D6723319	WHEEL, BLOWER (M4)
D6723320	WHEEL-BLOWER (M2, M5)
D6723311	WHEEL-BLOWER (M1, M3, M6)

Functional Parts

Part

No: Description:

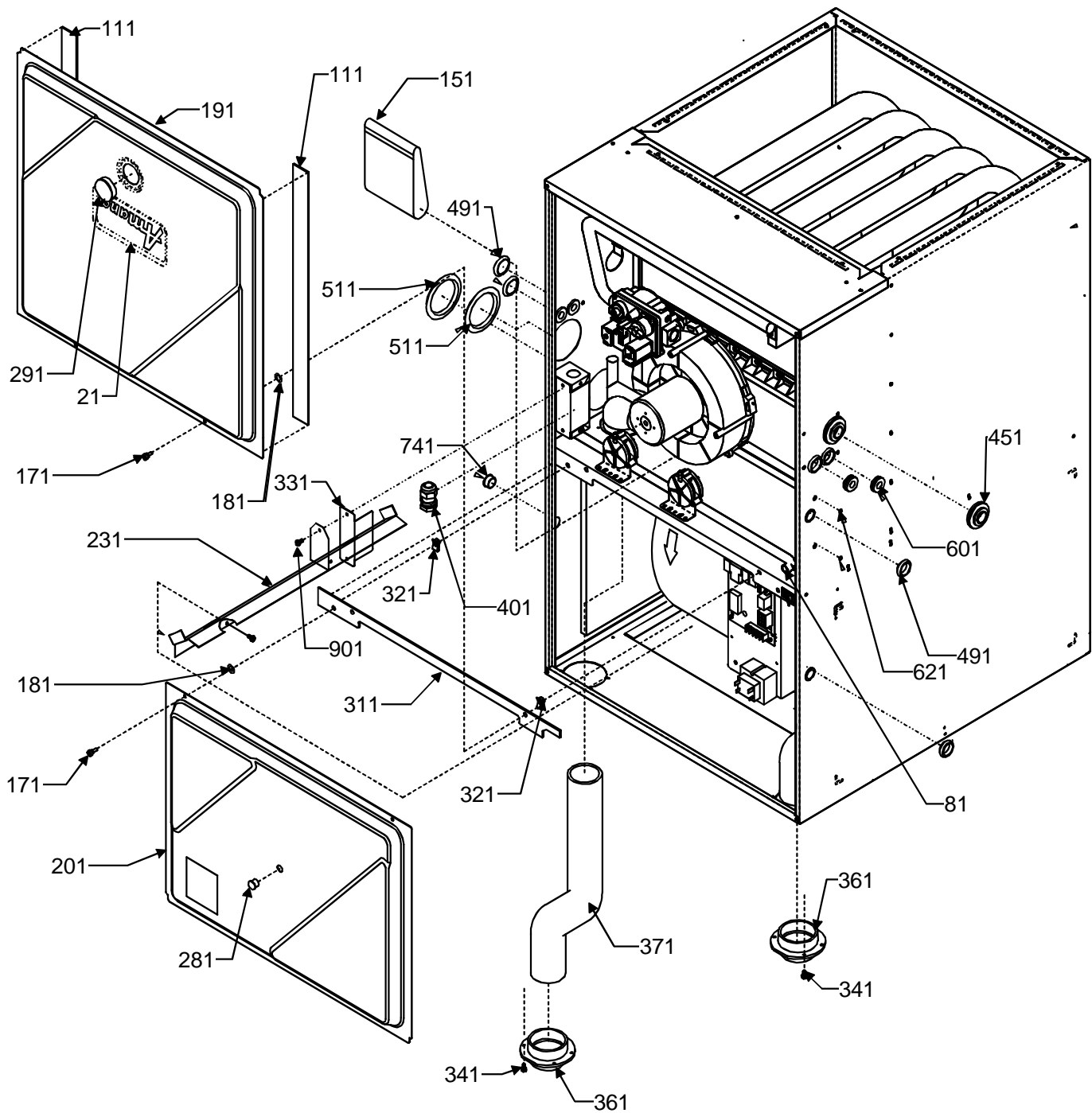
SPECIAL PARTS

10318740 INSTRUCT-INSTALL
RT6612006 MANUAL TECHNICAL
10318827 MANUAL-USERS
RP6612003 PARTS MANUAL
10261301S SCREEN-VENT (M4, M5, M6)
10261302S SCREEN-VENT (M4, M5, M6)
RS6600001 SERVICE MANUAL
11134651 SPEC-C'FLOW
10195512 STNDPIPE BAG ASSY
20490404 WARRANTY

Expanded Model Nomenclature

M1 - GCLA070AX30	P1249802F
M2 - GCLA090AX40	P1249804F
M3 - GCLA115AX50	P1249806F
M4 - GCLA070CX30	P1253202F
M5 - GCLA090CX40	P1253204F
M6 - GCLA115CX50	P1253206F

Cabinet Assembly



Cabinet Assembly

Ref. Part No:	Ref. Part No:	Description:	Description:
---------------	---------------	--------------	--------------

Image 1:

21	20275303	NAMEPLATE-AMANA
81	20201902	HOSE-DRAIN
111	20179308	GASKET (QTY 2)
151	10195512	STNDPIPE BAG ASSY
171	M0204317	SCREW-MACH (QTY 4)
181	M0273904	RETAINER-SCREW (QTY 4)
191	20177407	DOOR-ACCESS (M3, M6)
191	20273101	DOOR-ACCESS (M1, M4)
191	20273102	DOOR-ACCESS (M2, M5)
201	20177304	DOOR-BLWR (M1, M4)
201	20177305	DOOR-BLWR (M2, M5)
201	20177306	DOOR-BLWR (M3, M6)
231	10368501	RAIL-FILTER
281	11104001	SNAP-BUSHING CLR
291	11104002	SNAP-BUSHING CLR
311	20339301	GASKET-DECK (M1, M4)
311	20339302	GASKET-DECK (M2, M5)
311	20339303	GASKET-DECK (M3, M6)
321	91000301	NUT-U SPEED (QTY 4)
331	10736201	COVER-HV BOX
341	M0219918	SCREW-SM #8-5/8 (QTY AR)
361	20049701	COUPLING-FA (QTY 2)
371	20190504	PIPE-FLUE FA
401	M0571302	BUSHING-W/SEAL
451	M0501301	GROMMET-PIPE
491	M0570804	PLUG-BUTTON (QTY 4)
511	M0570803	PLUG-BUTTON (QTY 2)
601	A4691701	GROMMET (QTY 2)
621	M0310328	PLUG-TAN BUTTON (QTY 2)
741	M0571002	BUSHING-SNAP (QTY 2)
901	M0216529	SCREW-SM (QTY 2)

Expanded Model and Color Nomenclature

M1 - GCLA070AX30	P1249802F
M2 - GCLA090AX40	P1249804F
M3 - GCLA115AX50	P1249806F
M4 - GCLA070CX30	P1253202F
M5 - GCLA090CX40	P1253204F
M6 - GCLA115CX50	P1253206F

Blower Assembly

Image 1

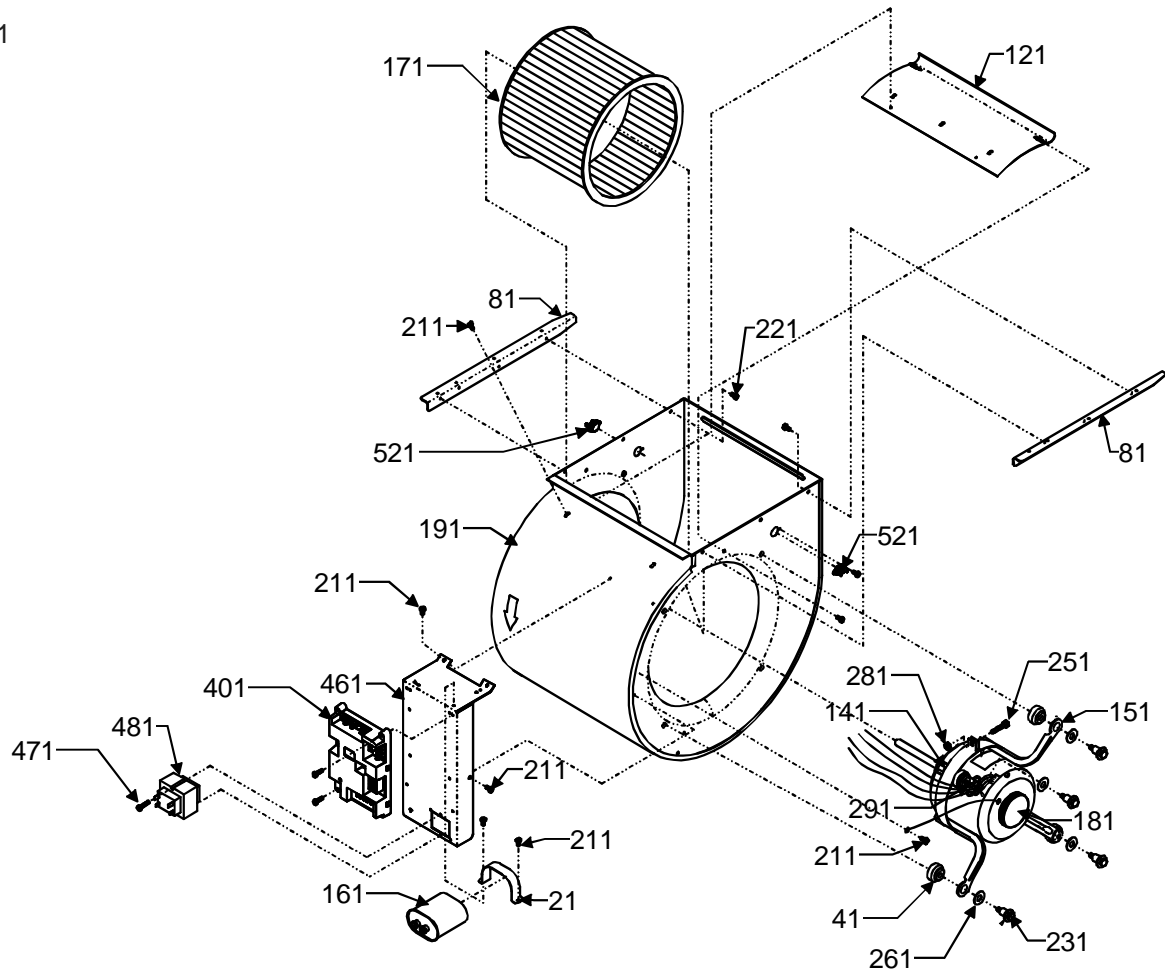
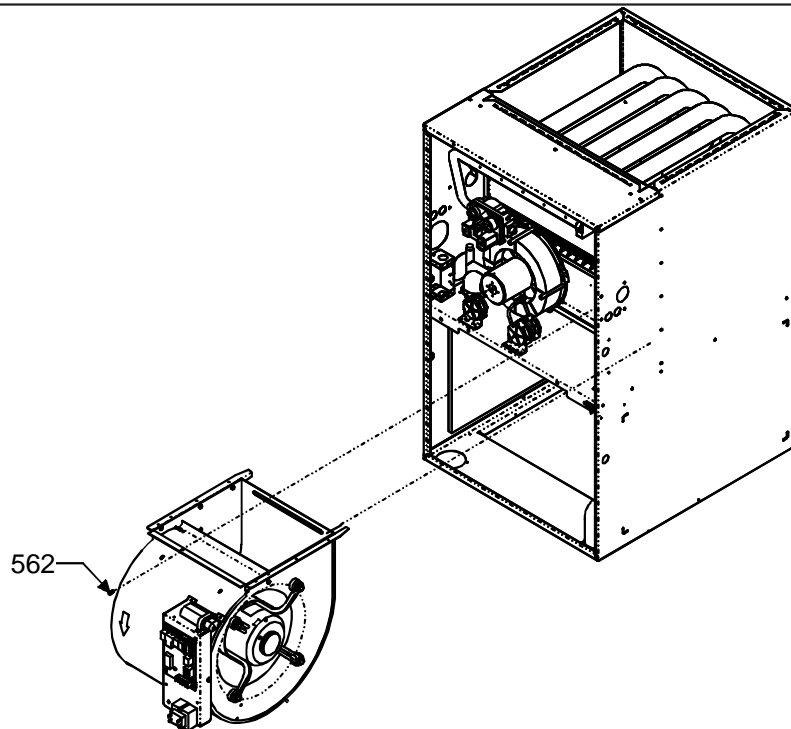


Image 2



Blower Assembly

Ref. Part No:	Ref. Part No:	Description:	Description:
---------------	---------------	--------------	--------------

Image 1:

21	A3410501	STRAP-CAPACITOR
41	A4002701	GROMMET (QTY 4)
81	20175101	RAIL-BLWR SIDE (QTY 2)
121	C6121803	CUT OFF (M4)
121	C6121806	CUTOFF (M2, M5)
121	C6121807	CUTOFF (M1, M3, M6)
141	10441601	BAND-MTR MOUNT
151	10441501	ARM-MTR MOUNT (QTY 4)
161	D6879740	CAPACITOR (M1, M3, M6)
161	D6879746	CAPACITOR (M2, M4, M5)
171	D6723319	WHEEL, BLOWER (M4)
171	D6723311	WHEEL-BLOWER (M1, M3, M6)
171	D6723320	WHEEL-BLOWER (M2, M5)
181	10759309	MOTOR BLOWER 1/2 HP (M2, M5)
181	10759310	MOTOR, BLOWER 1/2 HP (M4)
181	10759311	MOTOR-BLOW 1/2 HP (M1, M3, M6)
191	11185811	HSG WELD-11X10 (M1, M3, M6)
191	11185809	HSG WELD-11X17 (M4)
191	11185810	HSG WELD-11X9 (M2, M5)
211	M0219916	SCREW-SM (QTY 10)
221	M0253516	SCREW-TR (QTY 6)
231	M0221461	SCREW-TC (QTY 4)
251	M0267144	SCREW-MACH
261	M0274008	WASHER-FLAT (QTY 4)
281	M0282015	NUT-KEPS
291	M0321202	TIE-ELEC LG
401	10207718	CONTROL-INTEG
461	10746205	BRACKET-CONT
471	M0216536	SCREW-SM (QTY 2)
481	C6349703	TRANSFORMER
521	10123519	LIMIT-RESET MAN AUXILIARY (QTY 2)

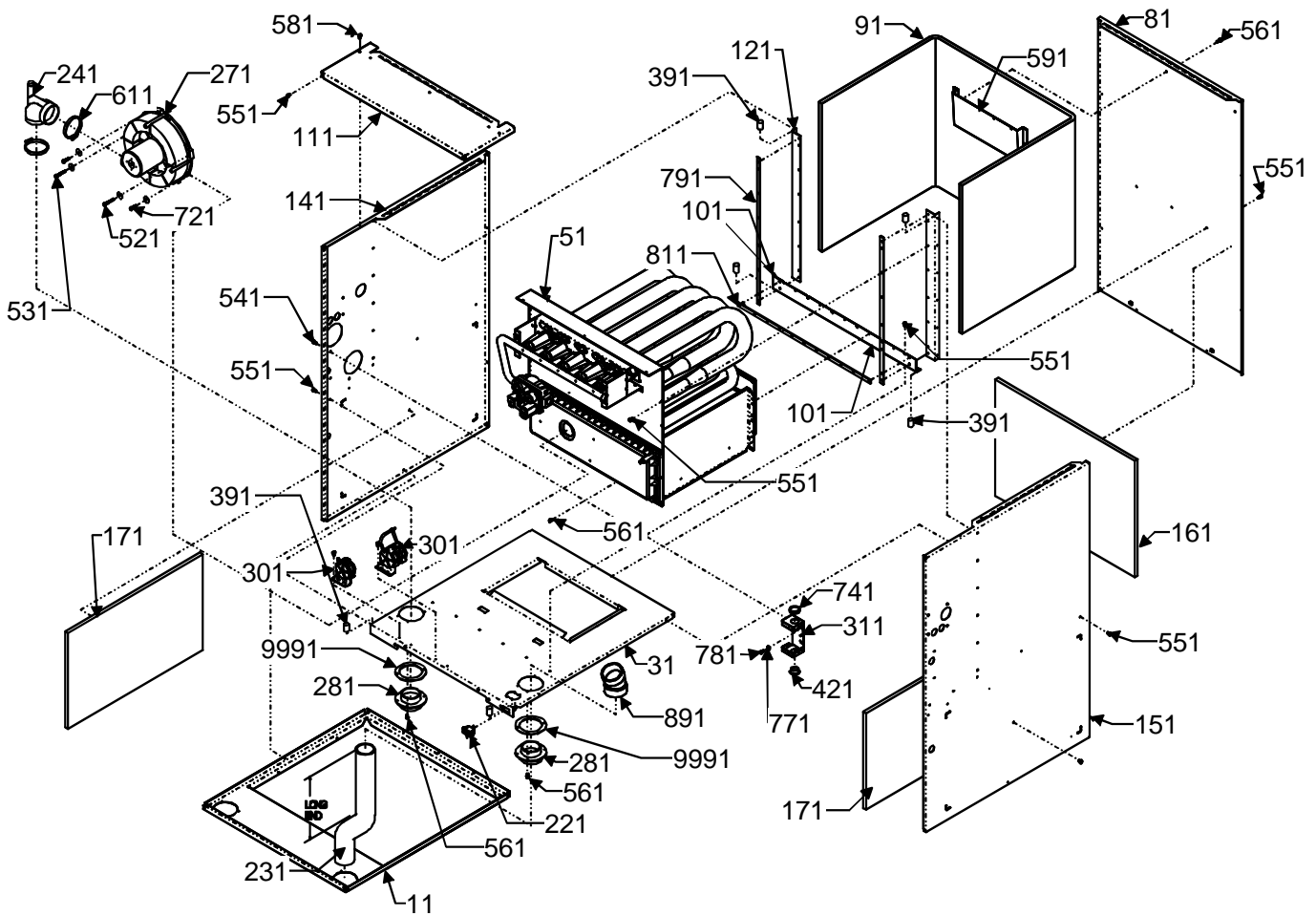
Image 2:

562	M0219918	SCREW-SM #8-5/8 (QTY AR)
-----	----------	--------------------------

Expanded Model and Color Nomenclature

M1 - GCLA070AX30	P1249802F
M2 - GCLA090AX40	P1249804F
M3 - GCLA115AX50	P1249806F
M4 - GCLA070CX30	P1253202F
M5 - GCLA090CX40	P1253204F
M6 - GCLA115CX50	P1253206F

Cabinet Assembly



Cabinet Assembly

Ref. Part No:	Part No:	Description:	Ref. Part No:	Part No:	Description:												
<i>Image 1:</i>			811	20194601	GASKET (M1, M4)												
11	20273501	BASEPAN-C'FLOW (M1, M4)	811	20194602	GASKET (M2, M5)												
11	20273502	BASEPAN-C'FLOW (M2, M5)	811	20194603	GASKET (M3, M6)												
11	20273503	BASEPAN-C'FLOW (M3, M6)	891	C6455901	ELBOW- 22 1/2 ELL												
31	20190213	DECK-BLWR (M1, M4)	9991	20404401	GASKET (M1, M4)												
31	20190214	DECK-BLWR (M5)	9991	20404402	GASKET (M2, M5)												
31	20190215	DECK-BLWR (M6)	9991	20404403	GASKET (M3, M6)												
51	20194407	HEAT EXCHANGER ASSY 3B (M1)	Expanded Model and Color Nomenclature <table border="1"> <tr> <td>M1 - GCLA070AX30</td> <td>P1249802F</td> </tr> <tr> <td>M2 - GCLA090AX40</td> <td>P1249804F</td> </tr> <tr> <td>M3 - GCLA115AX50</td> <td>P1249806F</td> </tr> <tr> <td>M4 - GCLA070CX30</td> <td>P1253202F</td> </tr> <tr> <td>M5 - GCLA090CX40</td> <td>P1253204F</td> </tr> <tr> <td>M6 - GCLA115CX50</td> <td>P1253206F</td> </tr> </table>			M1 - GCLA070AX30	P1249802F	M2 - GCLA090AX40	P1249804F	M3 - GCLA115AX50	P1249806F	M4 - GCLA070CX30	P1253202F	M5 - GCLA090CX40	P1253204F	M6 - GCLA115CX50	P1253206F
M1 - GCLA070AX30	P1249802F																
M2 - GCLA090AX40	P1249804F																
M3 - GCLA115AX50	P1249806F																
M4 - GCLA070CX30	P1253202F																
M5 - GCLA090CX40	P1253204F																
M6 - GCLA115CX50	P1253206F																
51	20194417	HEAT EXCHANGER ASSY 3B (M4)															
51	20194408	HEAT EXCHANGER ASSY 4B (M2)															
51	20194410	HEAT EXCHANGER ASSY 4B (M3)															
51	20194418	HEAT EXCHANGER ASSY 4B (M5)															
51	20194419	HEAT EXCHANGER ASSY 5B (M6)															
81	20273204	PANEL-BACK (M1, M4)															
81	20273205	PANEL-BACK (M2, M5)															
81	20273206	PANEL-BACK (M3, M6)															
91	C6415907	INSUL-HT EX (M1, M4)															
91	C6415908	INSUL-HT EX (M2, M5)															
91	C6415909	INSUL-HT EX (M3, M6)															
101	20191301	RAIL-DECK (M1, M4)															
101	20191302	RAIL-DECK (M2, M5)															
101	20191303	RAIL-DECK (M3, M6)															
111	20194513	COVER ASSY (M1, M4)															
111	20194514	COVER ASSY (M2, M5)															
111	20194515	COVER ASSY (M3, M6)															
121	20191601	RAIL-SIDE (QTY 2)															
141	20193406	PANEL-L SIDE															
151	20193306	PANEL-R SIDE															
161	20006601	INSULATION (M1, M4)															
161	20006602	INSULATION (M2, M5)															
161	20006603	INSULATION (M3, M6)															
171	20006604	INSULATION-SIDE (QTY 2)															
221	10690402	SWITCH-INTERLOCK															
231	20190504	PIPE-FLUE FA															
241	20171801	ELBOW															
271	20190601	BLOWER-I.D.															
281	20049701	COUPLING-FA (QTY 2)															
301	20197306	SWITCH-PRESSURE (QTY 2)															
311	10736102	BOX-HIGH VOLT															
391	M0275521	SEALER-PLASTIC															
421	A4554801	BUSHING-SNAP															
521	M0218154	SCREW-SM (QTY 2)															
531	M0270544	WASHER-FLAT (QTY 4)															
541	M0216716	SCREW-SM (QTY 2)															
551	M0219916	SCREW-SM (QTY AR)															
561	M0219918	SCREW-SM #8-5/8 (QTY AR)															
581	M0211530	SCREW-SM (QTY 5)															
591	11165107	SHIELD ID BLWR															
611	A3326008	CLAMP-HOSE (QTY 2)															
721	M0218153	SCREW-SM (QTY 2)															
741	M0571002	BUSHING-SNAP (QTY 2)															
771	M0270001	WASHER-CUP															
781	M0227803	SCREW-TC															
791	20194604	GASKET (QTY 2)															

Partition Tube and Manifold Assemblies

Image 1

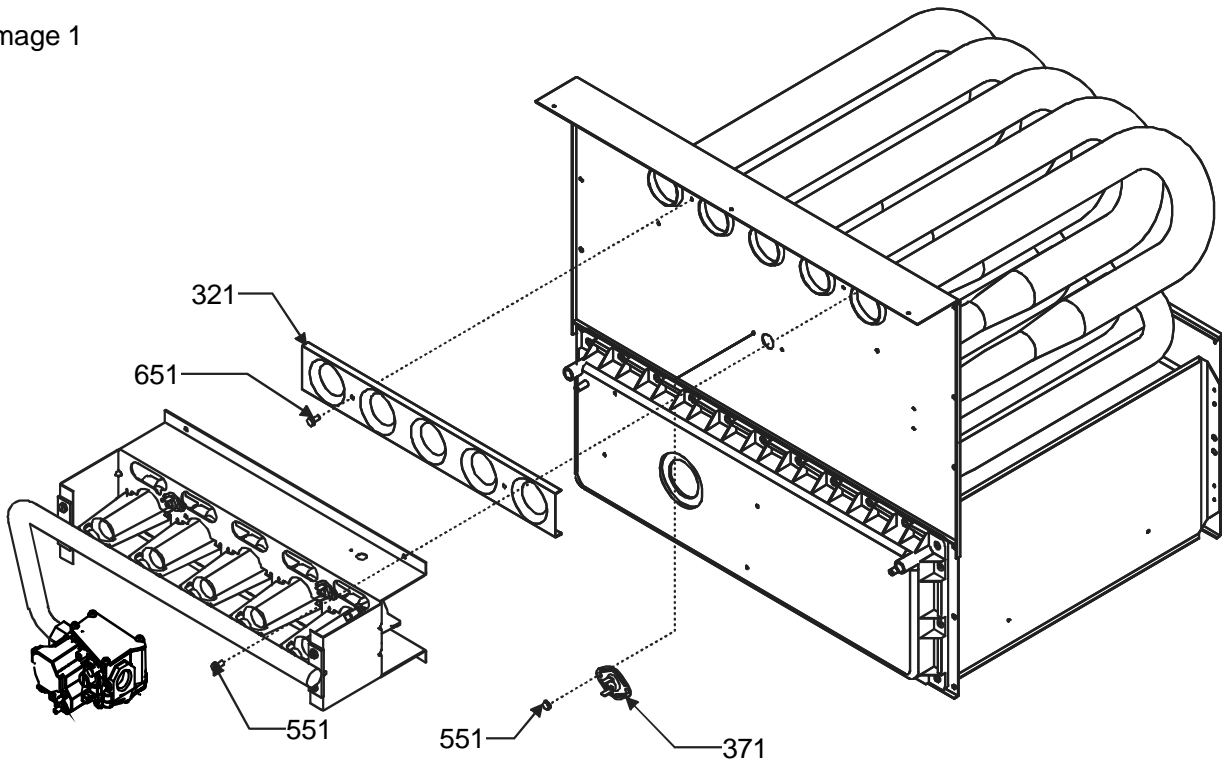
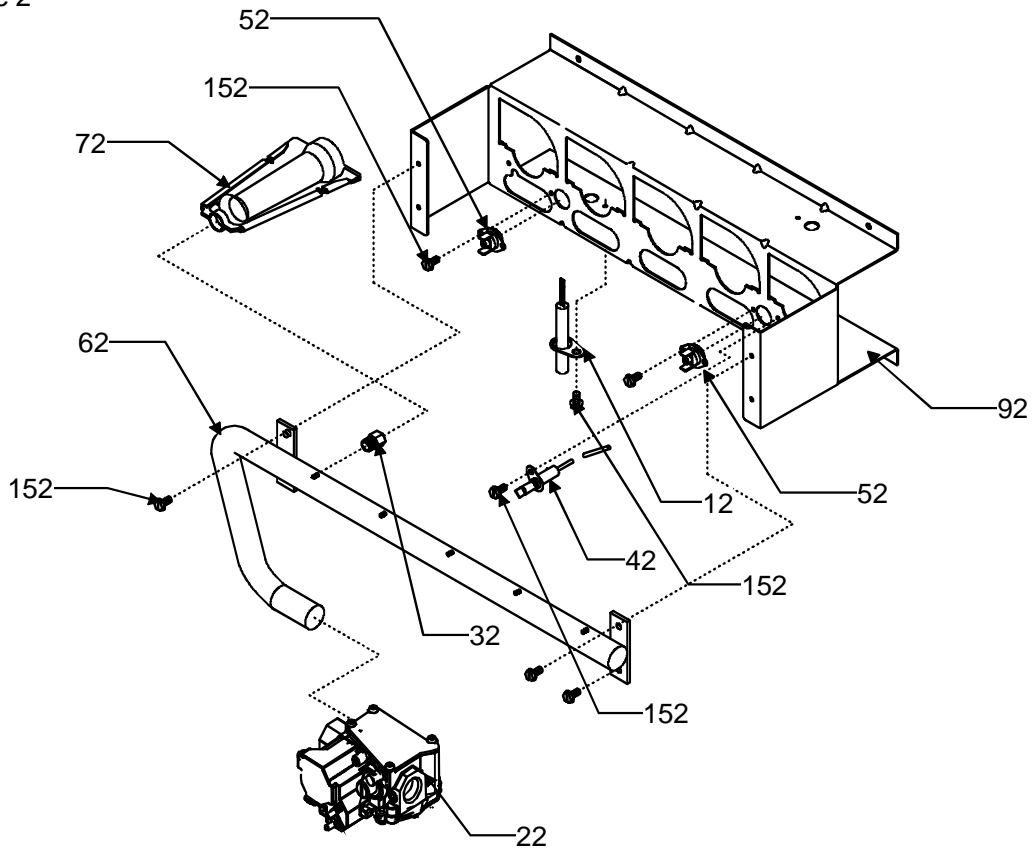


Image 2



Partition Tube and Manifold Assemblies

Ref. Part No:	Part No:	Description:	Ref. Part No:	Part No:	Description:
---------------	----------	--------------	---------------	----------	--------------

Image 1:

321	11072202	SHIELD-ORF (M1, M4)
321	11072203	SHIELD-ORF (M2, M3, M5)
321	11072204	SHIELD-ORF (M3, M6)
371	20162904	LIMIT PRIMARY (M2, M5)
371	20162906	LIMIT PRIMARY (M1, M4)
371	20162907	LIMIT PRIMARY (M3, M6)
551	M0219916	SCREW-SM (QTY AR)
651	M0211020	SCREW-SM #8-7/8 (QTY 2)

Image 2:

12	20165703	IGNITOR
22	C6476911	VALVE-GAS
32	10716003	ORIFICE (QTY AR)
42	10735201	FLAME-SENSOR
52	10123517	LIMIT-RESET MAN ROLLOUT (M1, M4, M6)
52	10123534	LIMIT-RESET MAN ROLLOUT (M2, M3, M5)
62	20196402	MANIFOLD (M1, M4)
62	20196403	MANIFOLD (M2)
62	20196404	MANIFOLD (M3, M6)
72	10735102	BECKETT BURNER (QTY AR)
92	20190407	BRKT-BURNER 3B (M1, M4)
92	20190408	BRKT-BURNER 4B (M2, M5)
92	20190409	BRKT-BURNER 4B (M3, M6)
152	M0219916	SCREW-SM (QTY 8)

Expanded Model and Color Nomenclature

M1 - GCLA070AX30	P1249802F
M2 - GCLA090AX40	P1249804F
M3 - GCLA115AX50	P1249806F
M4 - GCLA070CX30	P1253202F
M5 - GCLA090CX40	P1253204F
M6 - GCLA115CX50	P1253206F

Recoupe Coil Assembly

Image 1

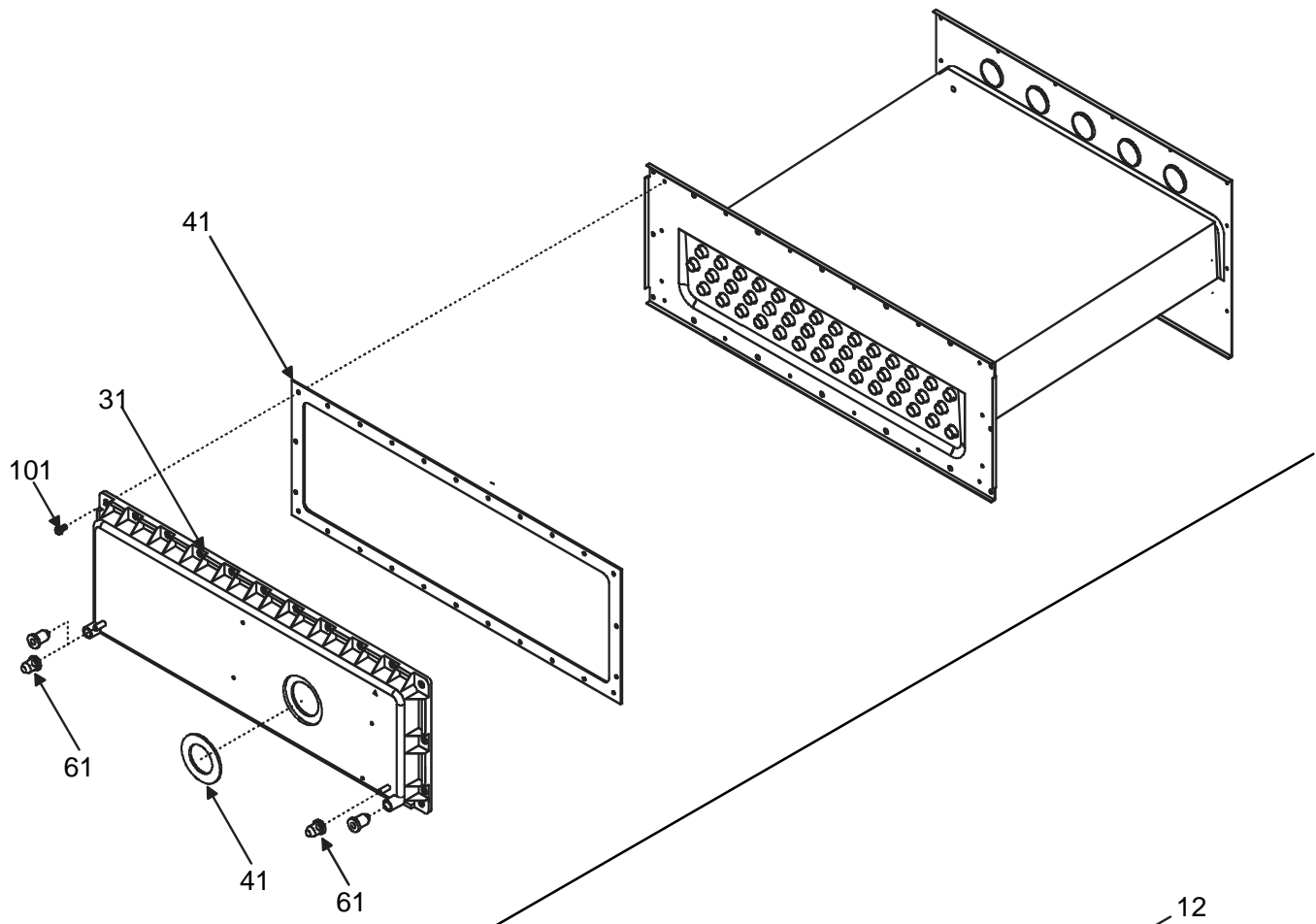
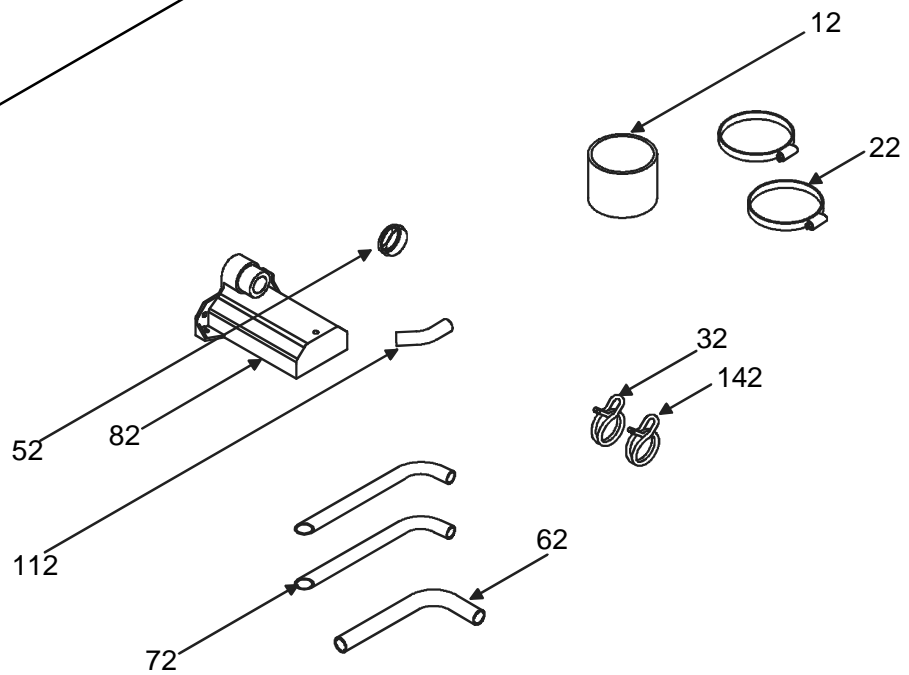


Image 2



Recoupe Coil Assembly

Ref. Part No:	Part No:	Description:	Ref. Part No:	Part No:	Description:
---------------	----------	--------------	---------------	----------	--------------

Image 1:

31	20170802A	COVER-FRONT (M1, M4)
31	20170902A	COVER-FRONT (M2, M5)
31	20171001A	COVER-FRONT (M3, M6)
41	20404401	GASKET (M1, M4)
41	20404402	GASKET (M2, M5)
41	20404403	GASKET (M3, M6)
61	M0326804	PLUG-TUBE (QTY 4)
101	M0211031	SCREW-SM #10-5/8 (QTY AR)

Image 2:

12	10254303	COUPLING-RUBBER (QTY 2)
22	A3326008	CLAMP-HOSE (QTY 4)
32	M0119207	CLAMP-HOSE (RED) (QTY 2)
52	M0570804	PLUG-BUTTON
62	20201901	HOSE-DRAIN
72	20201801	TUBE-DRAIN (QTY 2)
82	20171701	DRAIN TRAP
112	20214202	DRAIN-ANGLE
142	M0119205	CLAMP-HOSE (GREEN) (QTY 3)

Expanded Model and Color Nomenclature

M1 - GCLA070AX30	P1249802F
M2 - GCLA090AX40	P1249804F
M3 - GCLA115AX50	P1249806F
M4 - GCLA070CX30	P1253202F
M5 - GCLA090CX40	P1253204F
M6 - GCLA115CX50	P1253206F