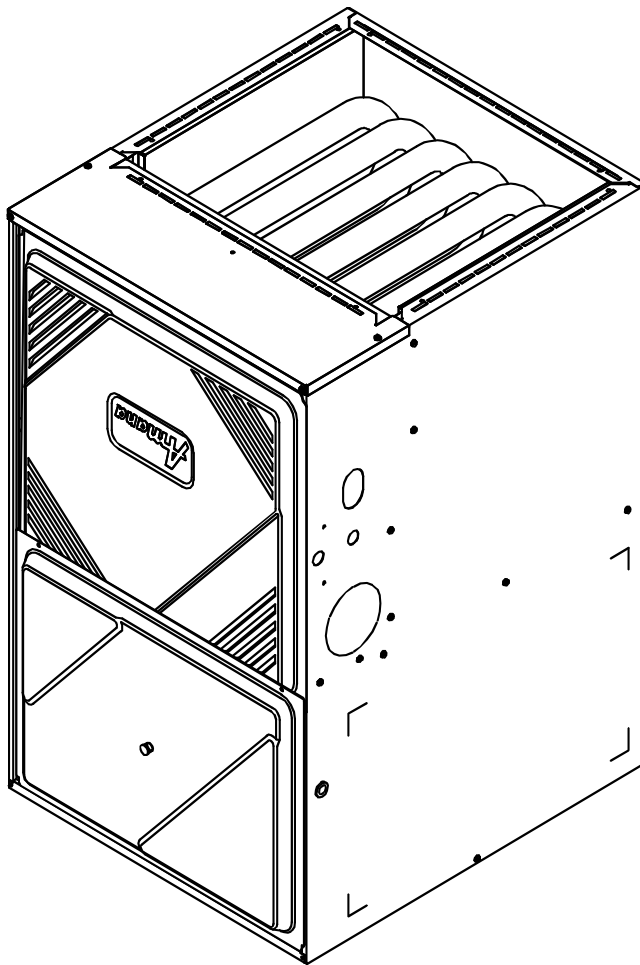


Models and manufacturing  
numbers in this manual

GCID070AX30	P1249702F
GCID090AX50	P1249705F
GCID115AX40	P1249706F

# Service Parts

## GCID 80% Counterflow Gas Furnace



This manual is to be used by  
qualified appliance technicians only.

Heating & Air Conditioning  
**Amana**  
Comfort. Quality. Trust.

Amana is a trademark of Maytag Worldwide N.V. and used under license to Goodman Company, L.P. All rights reserved.

RP6622001  
Revision 0  
March 2003

## Important Information

---

Amana is not responsible for personal injury or property damage resulting from improper service. Review all service information before beginning repairs.

Warranty service must be performed by an authorized technician, using authorized factory parts. If service is required after the warranty expires, Amana also recommends contacting an authorized technician and using authorized factory parts.

For assistance within the U.S.A. contact:

Consumer Affairs Department  
Goodman Company, L.P.  
7401 Security Way  
Houston, Texas 77040  
877-254-4729-Telephone  
713-863-2382-Facsimile

For assistance outside the U.S.A. contact:

International Division  
Goodman Company, L.P.  
7401 Security Way  
Houston, Texas 77040  
713-861-2500-Telephone  
713-863-2382-Facsimile

# Index

Functional Parts List .....	5
Illustration and Parts .....	6 - 15

*Views shown are for parts illustrations only, not servicing procedures.*

### Text Codes:

AR - As Required

NA - Not Available

NS - Not Shown

00000000 - See Note

QTY - Quantity Example (QTY 3) (If Quantity not shown, Quantity = 1)

M - Model Example (M1) (If M Code not shown, then part is used on all Models)

### Expanded Model and Color Nomenclature:

Example	
M1 - Model#1	P _____
M2 - Model#2	P _____
M3 - Model#3	P _____



# Functional Parts

## Part

## No: Description:

---

10735102	BECKETT BURNER (QTY AR)
20044403	BLOWER ID
D6879740	CAPACITOR (M2)
D6879747	CAPACITOR (M3)
D6879752	CAPACITOR (M1)
10207718	CONTROL-INTEG
10735201	FLAME-SENSOR
20200908	HARNESS-WIRING (BLOWER)
20302205	HARNESS-WIRING (MAIN)
11113121	HEAT EXCHANGER ASSY 3B (M1)
11113122	HEAT EXCHANGER ASSY 4B (M2)
11113123	HEAT EXCHANGER ASSY 5B (M3)
20165703	IGNITOR
10728314	LIMIT-PRIMARY (M3)
10728340	LIMIT-PRIMARY (M2)
10728304	LIMIT-PRIMARY (M1)
10123536	LIMIT-RESET AUXILIARY (QTY 2)
10123534	LIMIT-RESET MAN ROLLOUT (M3)
10123530	LIMIT-RESET MAN ROLLOUT (M2)
10123538	LIMIT-RESET MAN ROLLOUT (M1)
20301802	MANIFOLD 3B (M1)
20301803	MANIFOLD 4B (M2)
20301804	MANIFOLD 5B (M3)
20046614	MOTOR-BLOW 1/3 HP (M1)
20046617	MOTOR-BLOW 3/4 HP (M2)
20046619	MOTOR-BLOWER 1/2 HP (M3)
10716003	ORIFICE (QTY AR)
10690402	SWITCH-INTERLOCK
10727924	SWITCH-PRESSURE
C6349703	TRANSFORMER
C6476911	VALVE-GAS
D6723303	WHEEL-BLOWER (M2)
D6723306	WHEEL-BLOWER (M3)
D6723310	WHEEL-BLOWER (M1)

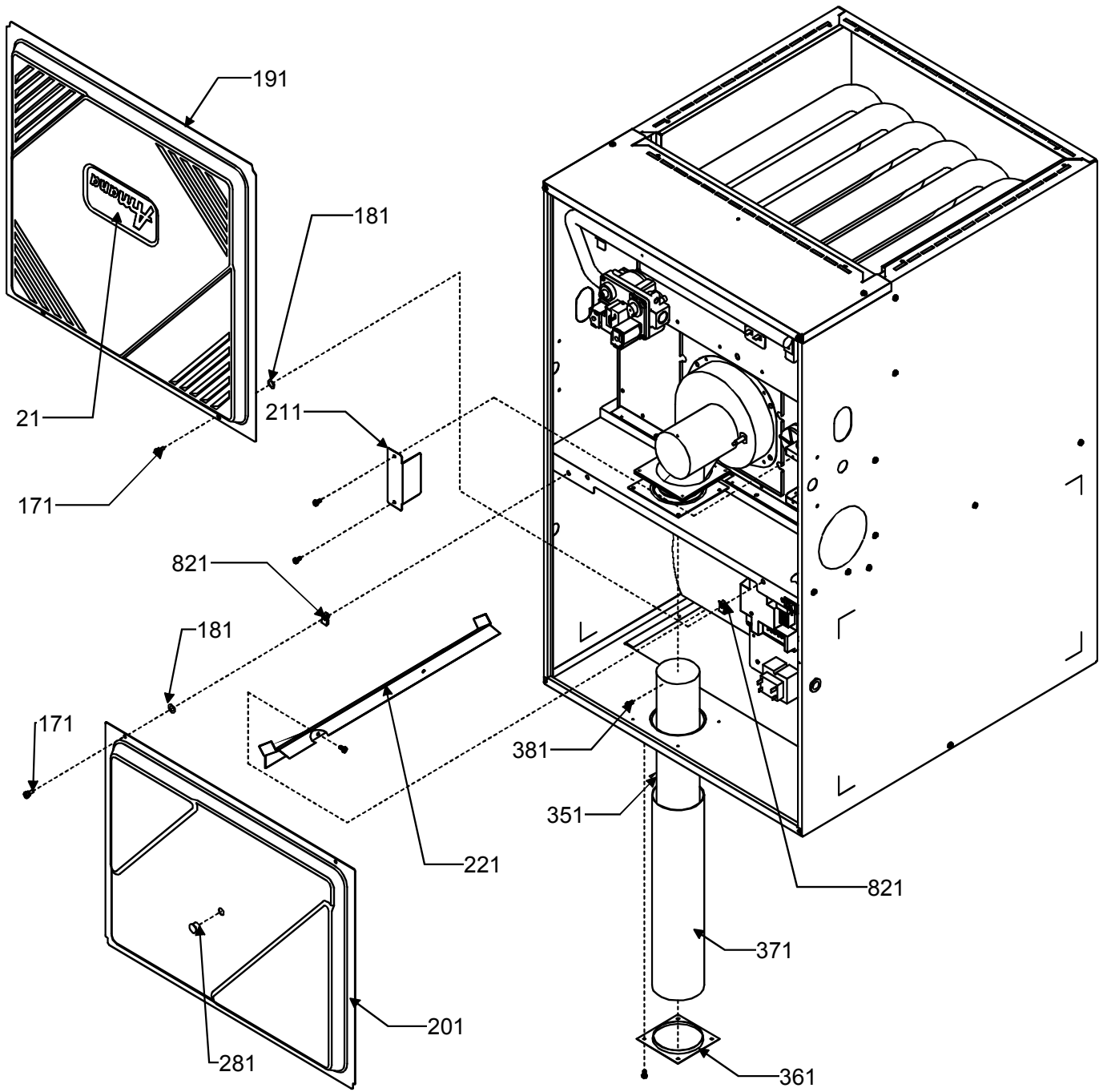
### SPECIAL PARTS

10758012	CERT-WARRANTY
10759828	INSTRUC-INSTALL
10759619	MANUAL-USERS
RP6220001	PARTS MANUAL
RS6600001	SERVICE MANUAL
11110635	SPEC-SHEET
RT6621011	TECHNICAL MANUAL

### Expanded Model and Color Nomenclature

M1 - GCID070AX30	P1249702F
M2 - GCID090AX50	P1249705F
M3 - GCID115AX40	P1249706F

# Cabinet Assembly



# Cabinet Assembly

Ref. Part No:	No:	Description:	Ref. Part No:	No:	Description:
---------------	-----	--------------	---------------	-----	--------------

---

Image 1:

21	20275303	NAMEPLATE-AMANA
171	M0204317	SCREW-MACH (QTY 4)
181	M0273904	RETAINER-SCREW (QTY 4)
191	20177408	DOOR-ACCESS (M1)
191	20177409	DOOR-ACCESS (M2)
191	20177410	DOOR-ACCESS (M3)
201	20177304	DOOR-BLWR (M1)
201	20177305	DOOR-BLWR (M2)
201	20177306	DOOR-BLWR (M3)
211	10736201	COVER-HV BOX
221	10368501	RAIL-FILTER
281	11104001	SNAP-BUSHING CLR
351	B9268909	PIPE-FLUE
361	20274501	BRKT-VENT TUBE
371	11022003	TUBE-VENT
381	M0233716	SCREW-SD
821	91000301	NUT-U SPEED (QTY 4)

## Expanded Model and Color Nomenclature

M1 - GCID070AX30	P1249702F
M2 - GCID090AX50	P1249705F
M3 - GCID115AX40	P1249706F



# Partition & Manifold Tube Assemblies

Ref. Part No:	Ref. Part No:	Description:	Description:
---------------	---------------	--------------	--------------

*Image 1:*

31	10764202	INSUL-PART PAN (M1)
31	10764204	INSUL-PART PAN (M2)
31	10764206	INSUL-PART PAN (M3)
31	10764208	INSUL-PART PAN (M1)
31	10764209	INSUL-PART PAN (M2)
31	10764210	INSUL-PART PAN (M3)
51	11113121	HEAT EXCHANGER ASSY 3B (M1)
51	11113122	HEAT EXCHANGER ASSY 4B (M2)
51	11113123	HEAT EXCHANGER ASSY 5B (M3)
61	10728601	BRACKET-LINER
71	10728602	BRACKET-LINER
91	10728708	LINER-CAB (M1)
91	10728709	LINER-CAB (M2)
91	10728710	LINER-CAB (M3)
161	10728503	RAIL-PART PNL
171	10728504	RAIL-PART PNL
301	10624003	INSERT-MESH TUBE (QTY 3)
321	11072202	SHIELD-ORF (M1)
321	11072203	SHIELD-ORF (M2)
321	11072204	SHIELD-ORF (M3)
371	10728304	LIMIT-PRIMARY (M1)
371	10728314	LIMIT-PRIMARY (M3)
371	10728340	LIMIT-PRIMARY (M2)
511	M0224303	SCREW-SM (QTY 14)
551	M0219916	SCREW-SM (QTY AR)

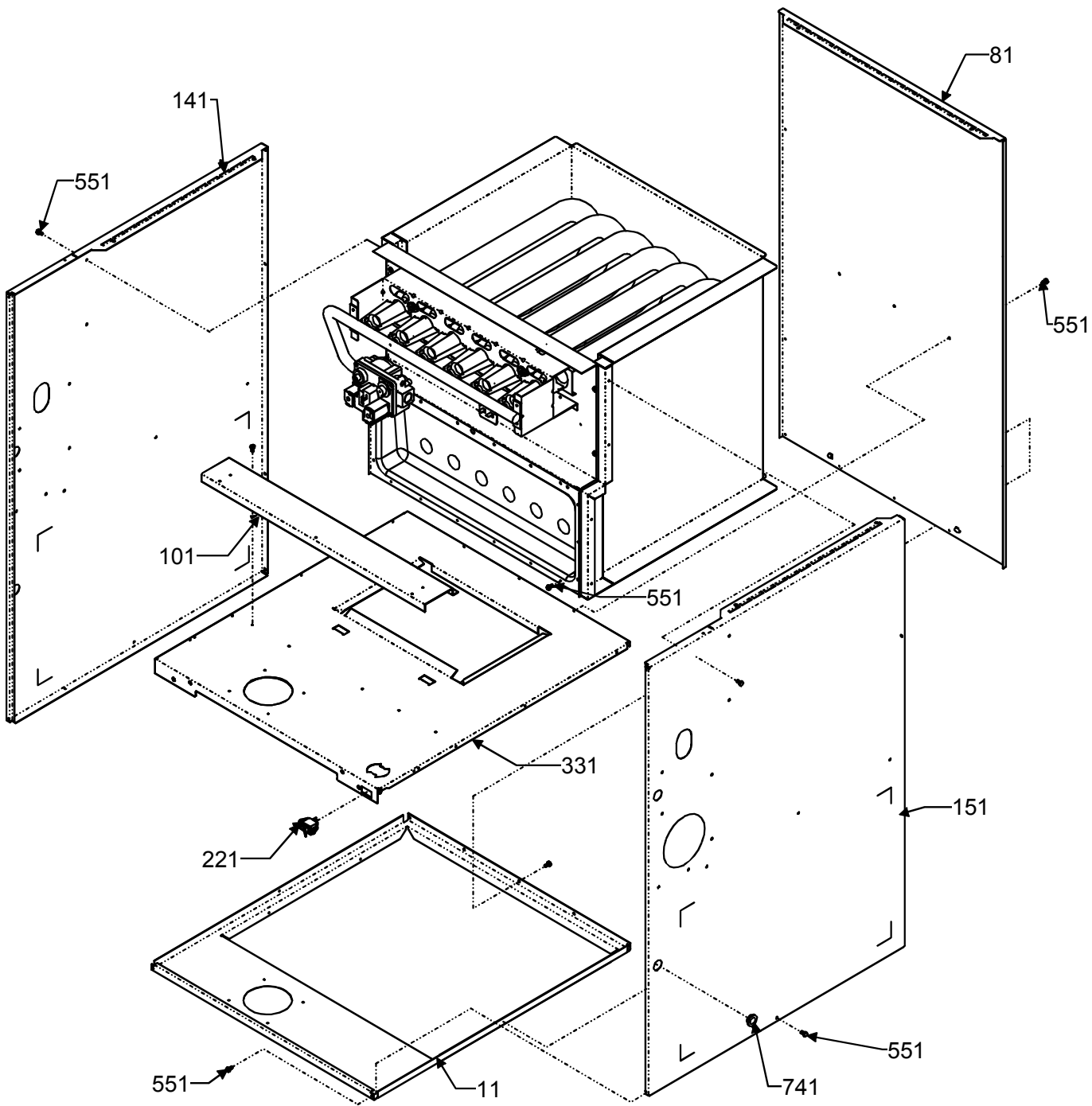
*Image 2:*

12	20165703	IGNITOR
22	C6476911	VALVE-GAS
32	10716003	ORIFICE (QTY AR)
42	10735201	FLAME-SENSOR
52	10123530	LIMIT-RESET MAN ROLLOUT (M2)
52	10123534	LIMIT-RESET MAN ROLLOUT (M3)
52	10123538	LIMIT-RESET MAN ROLLOUT (M1)
62	20301802	MANIFOLD 3B (M1)
62	20301803	MANIFOLD 4B (M2)
62	20301804	MANIFOLD 5B (M3)
72	10735102	BECKETT BURNER (QTY AR)
92	20190407	BRKT-BURNER 3B (M1)
92	20190408	BRKT-BURNER 4B (M2)
92	20190409	BRKT-BURNER 5B (M3)
152	M0219916	SCREW-SM (QTY 8)

Expanded Model and Color Nomenclature

M1 - GCID070AX30	P1249702F
M2 - GCID090AX50	P1249705F
M3 - GCID115AX40	P1249706F

# Cabinet Assembly



# Cabinet Assembly

Ref. Part No:	No:	Description:	Ref. Part No:	No:	Description:
---------------	-----	--------------	---------------	-----	--------------

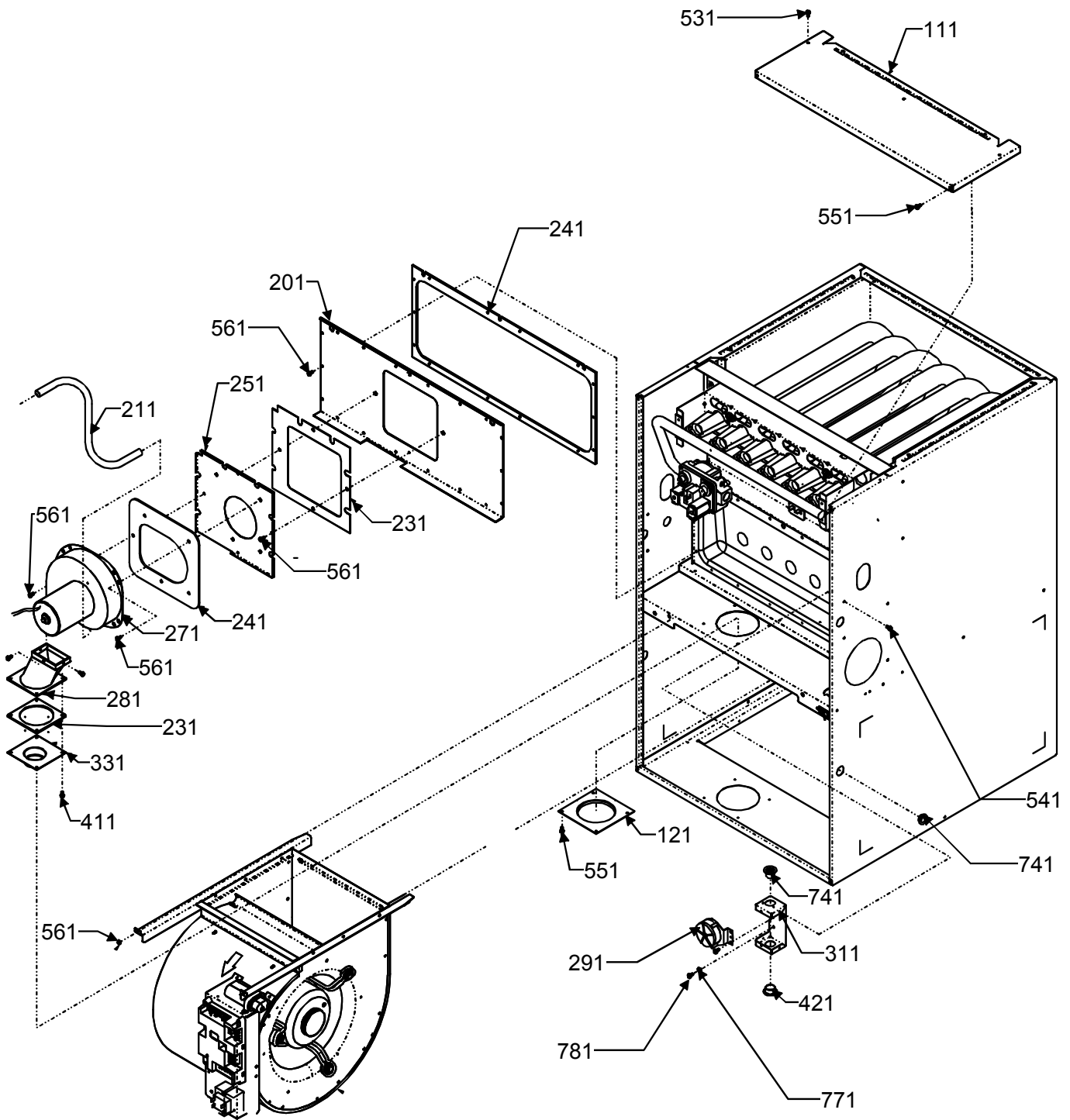
Image 1:

11	20273504	BASEPAN-C'FLOW (M1)
11	20273505	BASEPAN-C'FLOW (M2)
11	20273506	BASEPAN-C'FLOW (M3)
81	20273204	PANEL-BACK (M1)
81	20273205	PANEL-BACK (M2)
81	20273206	PANEL-BACK (M3)
81	20175101	RAIL-BLWR SIDE (QTY 2)
101	20301901	SUPPORT-PART PNL (M1)
101	20301902	SUPPORT-PART PNL (M2)
101	20301903	SUPPORT-PART PNL (M3)
141	10727119	PANEL-SIDE LH
151	10727019	PANEL-SIDE RH
221	10690402	SWITCH-INTERLOCK
331	20190228	DECK-BLWR (M1)
331	20190229	DECK-BLWR (M2)
331	20190230	DECK-BLWR (M3)
551	M0219916	SCREW-SM (QTY AR)
741	M0571002	BUSHING-SNAP (QTY 3)

## Expanded Model and Color Nomenclature

M1 - GCID070AX30	P1249702F
M2 - GCID090AX50	P1249705F
M3 - GCID115AX40	P1249706F

# Vent System & Controls



# Vent System & Controls

Ref. Part No:	Ref. Part No:	Description:	Description:
---------------	---------------	--------------	--------------

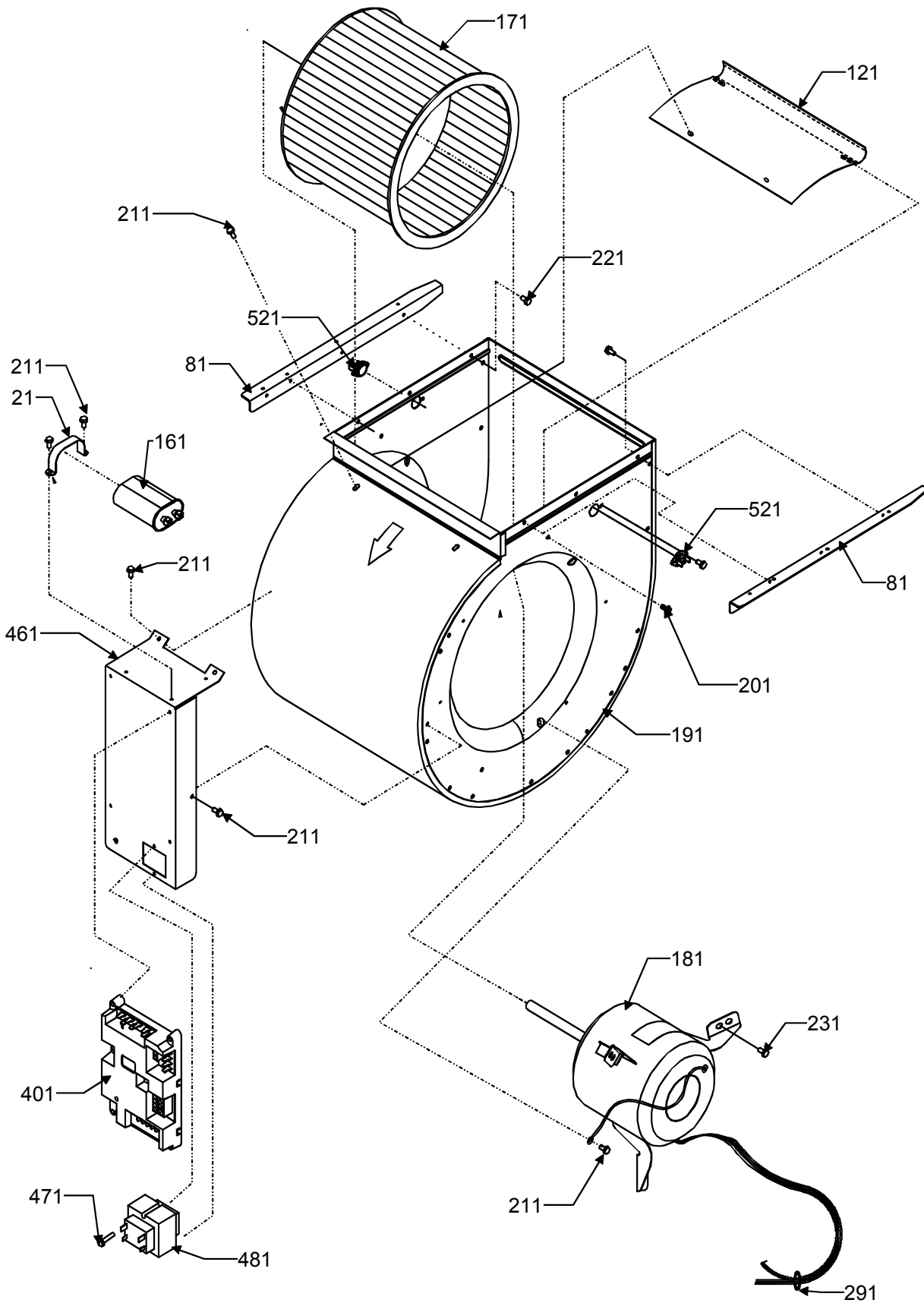
Image 1:

111	20273304	COVER (M1)
111	20273305	COVER (M2)
111	20273306	COVER (M3)
121	20274501	BRKT-VENT TUBE
201	10764404	PLATE-PTN (M1)
201	10764405	PLATE-PTN (M2)
201	10764406	PLATE-PTN (M3)
211	B1410303	HOSE-PRESSURE SW (M2)
211	B1410304	HOSE-PRESSURE SW (M3)
211	B1410311	HOSE-PRESSURE SW (M1)
231	10764601	GASKET-ROTATE PLT
241	11142201	GASKET-COLL/ID (M1)
241	11142202	GASKET-COLL/ID (M2)
241	11142203	GASKET-COLL/ID (M3)
251	10764313	PLATE-RTATNG (M2, M3)
251	10764315	PLATE-RTATNG (M1)
271	20044403	BLOWER ID
281	11072302	TRAN-ID BLOW
291	10727924	SWITCH-PRESSURE
311	10736102	BOX-HIGH VOLT
331	11009703	TOP-TRAN PLATE
411	M0253516	SCREW-TR (QTY 4)
421	A4554801	BUSHING-SNAP
531	M0211530	SCREW-SM (QTY 2)
541	M0216716	SCREW-SM (QTY 2)
551	M0219916	SCREW-SM (QTY AR)
561	M0219918	SCREW-SM #8-5/8 (QTY 24)
741	M0571002	BUSHING-SNAP (QTY 3)
771	M0270001	WASHER-CUP
781	M0227803	SCREW-TC

## Expanded Model and Color Nomenclature

M1 - GCID070AX30	P1249702F
M2 - GCID090AX50	P1249705F
M3 - GCID115AX40	P1249706F

# Blower Assembly & Integrated Control



# Blower Assembly & Integrated Control

Ref. Part No:	Description:	Ref. Part No:	Description:
---------------	--------------	---------------	--------------

Image 1:

21	A3410501	STRAP-CAPACITOR (M2)
21	A4055402	STRAP-CAPACITOR (M1, M3)
81	20175101	RAIL-BLWR SIDE (QTY 2)
121	C6121803	CUTOFF (M1)
121	C6121806	CUTOFF (M2)
121	C6121807	CUTOFF (M3)
161	D6879740	CAPACITOR (M2)
161	D6879747	CAPACITOR (M3)
161	D6879752	CAPACITOR (M1)
171	D6723303	WHEEL-BLOWER (M2)
171	D6723306	WHEEL-BLOWER (M3)
171	D6723310	WHEEL-BLOWER (M1)
181	20046614	MOTOR-BLOW 1/3 HP (M1)
181	20046617	MOTOR-BLOW 3/4 HP (M2)
181	20046619	MOTOR-BLOWER 1/2 HP (M3)
191	11185816	HSG WELD-BLWR (M1)
191	11185817	HSG WELD-BLWR (M2)
191	11185818	HSG WELD-BLWR (M3)
201	M0211020	SCREW-SM #8-7/8 (QTY 2)
211	M0219916	SCREW-SM (QTY 10)
221	M0253516	SCREW-TR (QTY 6)
231	M0250558	SCREW-TC (QTY 3)
291	M0321202	TIE-ELEC LG
401	10207718	CONTROL-INTEG
461	10746205	BRACKET-CONT
471	M0216536	SCREW-SM (QTY 2)
481	C6349703	TRANSFORMER
521	10123536	LIMIT-RESET AUXILIARY (QTY 2)

## Expanded Model and Color Nomenclature

M1 - GCID070AX30	P1249702F
M2 - GCID090AX50	P1249705F
M3 - GCID115AX40	P1249706F