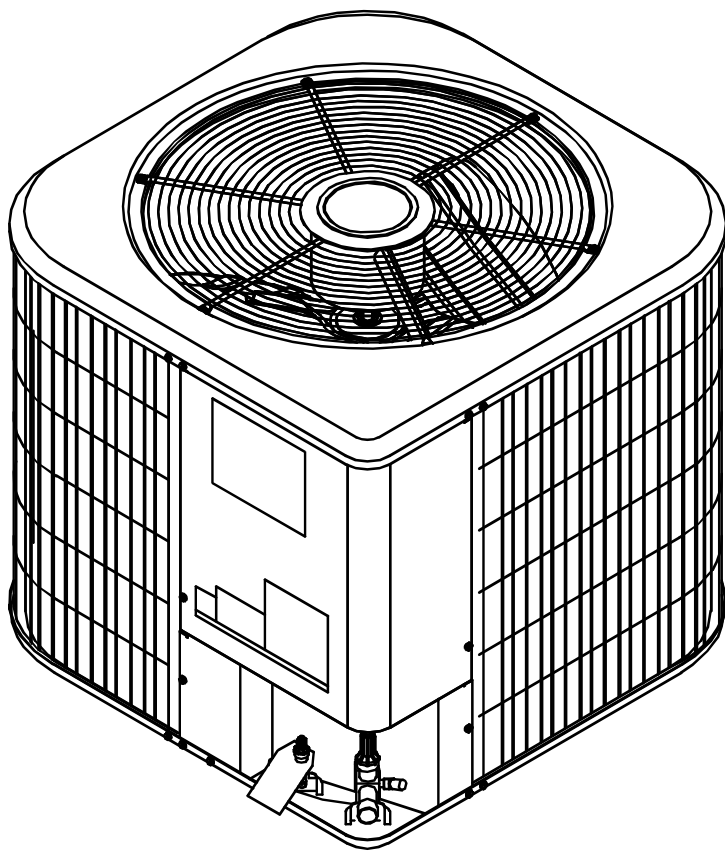


# Service Parts

## RCE\*C2[C/D] 12 SEER Remote Condensing Units

This manual replaces RP6113004

This manual is to be used by qualified appliance technicians only



Models and manufacturing  
numbers in this manual

RCE24C2C	P1248007C
RCE24C2C	P1248013C
RCE24C2C	P1248019C
RCE24C2D	P1248027C
RCE30C2C	P1248008C
RCE30C2C	P1248014C
RCE30C2C	P1248020C
RCE36C2C	P1248009C
RCE36C2C	P1248015C
RCE36C2C	P1248021C
RCE36C2C	P1248028C
RCE42C2C	P1248010C
RCE42C2C	P1248016C
RCE42C2C	P1248022C
RCE42C2D	P1248029C
RCE48C2C	P1248011C
RCE48C2C	P1248017C
RCE48C2C	P1248023C
RCE48C2C	P1248030C
RCE60C2C	P1248012C
RCE60C2C	P1248018C
RCE60C2C	P1248025C

**Amana**  
Heating & Air Conditioning  
LASTS AND LASTS AND LASTS™

Amana is a trademark of Maytag Corporation and used under license to Goodman Company, L.P. All rights reserved.

RP6113004  
Revision 1  
July 2005

Copyright © 2004-2005 Goodman Company, L.P.  
[www.amana-hac.com](http://www.amana-hac.com)

## Important Information

---

Goodman Company, L.P. is not responsible for personal injury or property damage resulting from improper service. Review all service information before beginning repairs.

Warranty service must be performed by an authorized technician, using authorized factory parts. If service is required after the warranty expires, Goodman Company, L.P. also recommends contacting an authorized technician and using authorized factory parts. Our continuing commitment to quality products may mean a change in specifications without notice.

For assistance within the U.S.A. contact:

Consumer Affairs Department  
Goodman Company, L.P.  
7401 Security Way  
Houston, Texas 77040  
877-254-4729-Telephone  
713-863-2382-Facsimile

For assistance outside the U.S.A. contact:

International Division  
Goodman Company, L.P.  
7401 Security Way  
Houston, Texas 77040  
713-861-2500-Telephone  
713-863-2382-Facsimile

# Index

Functional Parts List .....	4 - 5
Illustration and Parts .....	6 - 13

*Views shown are for parts illustrations only, not servicing procedures.*

Added the following models:

RCE24C2C P1248007C RCE24C2C P1248013C RCE24C2D P1248027C  
RCE30C2C P1248008C RCE30C2C P1248014C RCE36C2C P1248028C  
RCE36C2C P1248009C RCE36C2C P1248015C RCE42C2D P1248029C  
RCE42C2C P1248010C RCE42C2C P1248016C RCE48C2C P1248030C  
RCE48C2C P1248011C RCE48C2C P1248017C  
RCE60C2C P1248012C RCE60C2C P1248018C

### Text Codes:

AR - As Required

NA - Not Available

NS - Not Shown

00000000 - See Note

QTY - Quantity Example (QTY 3) (If Quantity not shown, Quantity = 1)

M - Model Example (M1) (If M Code not shown, then part is used on all Models)

### Expanded Model Nomenclature:

Example	
M1 - Model#1	P _____
M2 - Model#2	P _____
M3 - Model#3	P _____

# Functional Parts

## Part

## No: Description:

---

D6789049	CAPACITOR, 35/5/370 (M1, M7, M8, M13, M14, M19)
D6789024	CAPACITOR, 40/5/370 (M2)
D6789031	CAPACITOR, 45/5/370 (M3, M9, M15, M20)
D6789043	CAPACITOR, 50/5/370 (M4, M10, M16, M21)
D6789045	CAPACITOR, 55/5/370 (M11, M17, M22)
D6789046	CAPACITOR, 60/5/370 (M5)
B94578800	CAPACITOR, 60/5/440 (M12, M18)
D6789047	CAPACITOR, 80/5/370 (M6)
ZR21KAPFV130	COMPRESSOR, ZR21KA-PFV-130 (M19)
ZR22K4PFV930	COMPRESSOR, ZR22K4-PFV-230 (M1, M7, M13)
ZR24K4PFV930	COMPRESSOR, ZR24K4-PFV-230 (M8, M14)
ZR26K3PFV930	COMPRESSOR, ZR26K3-PFV-230 (M2)
ZR28KAPFV130	COMPRESSOR, ZR28KA-PFV-130 (M20)
ZR30K3PFV930	COMPRESSOR, ZR30K3-PFV-230 (M9, M15)
ZR32K3PFV930	COMPRESSOR, ZR32K3-PFV-230 (M3)
ZR34KAPFV130	COMPRESSOR, ZR34KA-PFV-130 (M21)
ZR36K3PFV930	COMPRESSOR, ZR36K3-PFV-230 (M4, M10, M16)
ZR38KAPFV130	COMPRESSOR, ZR38KA-PFV-130 (M22)
ZR40K3PFV930	COMPRESSOR, ZR40K3-PFV-230 (M11, M17)
ZR42K3PFV930	COMPRESSOR, ZR42K3-PFV-230 (M5)
ZR48K3PFV935	COMPRESSOR, ZR48K3-PFV-235 (M12, M18)
ZR54K3PFV950	COMPRESSOR, ZR54K3-PFV-250 (M6)
22308602	COND ASSY (M9, M10, M11, M15, M16, M17, M20, M21, M22)
22308601	COND ASSY (M7, M8, M13, M14, M19)
20470701	COND ASSY-PPNT (M6, M18)
20467401	COND ASSY-PPNT (M1)
20467402	COND ASSY-PPNT (M2)
22313001	COND ASSY-PPNT (M12)
20470101	COND ASSY-PPNT (M3, M4)
20470401	COND ASSY-PPNT (M5)
20430101	HARNESS-COMP (M6)
20462503	HARNESS-COMP (M12, M18)
20462507	HARNESS-COMP (M3, M4, M5, M9, M10, M11, M15, M16, M17)
20048208	HARNESS-COMP (M19)
20048209	HARNESS-COMP (M20, M21, M22)
10686508	HARNESS-COMP (M1, M2, M7, M8, M13, M14)
10584322	MOTOR-COND 1/12HP, 208-230V, CCW, 825 RPM (M13, M14, M19)
10584313	MOTOR-COND 1/4HP, 208-230V, CW, 825 RPM (M3, M4, M5, M6, M12)
10584308	MOTOR-COND 1/6HP, 208-230V, CW, 825 RPM (M9, M10, M11)
10584307	MOTOR-COND 1/12HP, 208-230V, CW, 825 RPM (M1, M2, M7, M8)
B13400272	MOTOR-COND 1/4HP, 208-230V, CCW, 825 RPM (M18)
10584323	MOTOR-COND 1/6HP, 208-230V, CCW, 825 RPM (M15, M16, M17, M20, M21, M22)
10000045	P2059 DARK GRAY
B1610637	PAINT PWDR. DRK GRA
B1219212	SINGLE-FLOW FILTER (M1, M2, M3, M4, M7, M8, M9, M10, M13, M14, M15, M16, M19, M20, M21)
B1219225	SINGLE-FLOW FILTER (M5, M6, M11, M12, M17, M18, M22)
20520901	STRAP-CAPACITOR
B1360717	SWITCH, LOW PRESSURE

# Functional Parts

## Part

No: Description:

---

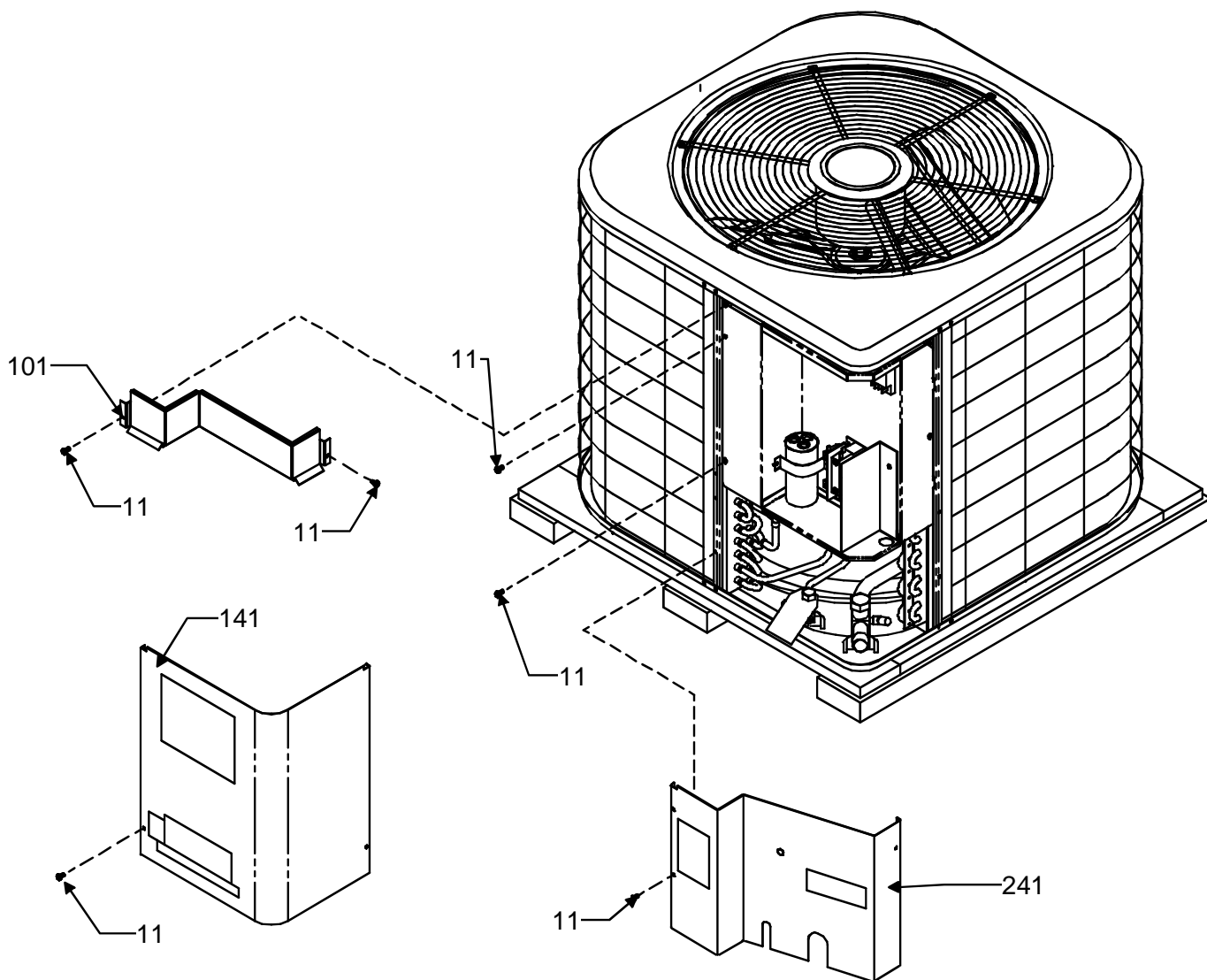
### SPECIAL PARTS

10652423 MANUAL-INSTAL  
10659202 MANUAL-OWNERS  
RP6113004 REPAIR PARTS MANUAL  
RCE-SPEC SPECIFICATION SHEET  
RT6112009 TECHNICAL INFORMATION

### Expanded Model Nomenclature

M1 - RCE24C2C	P1248007C
M2 - RCE30C2C	P1248008C
M3 - RCE36C2C	P1248009C
M4 - RCE42C2C	P1248010C
M5 - RCE48C2C	P1248011C
M6 - RCE60C2C	P1248012C
M7 - RCE24C2C	P1248013C
M8 - RCE30C2C	P1248014C
M9 - RCE36C2C	P1248015C
M10 - RCE42C2C	P1248016C
M11 - RCE48C2C	P1248017C
M12 - RCE60C2C	P1248018C
M13 - RCE24C2C	P1248019C
M14 - RCE30C2C	P1248020C
M15 - RCE36C2C	P1248021C
M16 - RCE42C2C	P1248022C
M17 - RCE48C2C	P1248023C
M18 - RCE60C2C	P1248025C
M19 - RCE24C2D	P1248027C
M20 - RCE36C2C	P1248028C
M21 - RCE42C2D	P1248029C
M22 - RCE48C2C	P1248030C

# Control/Cover



# Control/Cover

Ref. Part No:	Part No:	Description:	Ref. Part No:	Part No:	Description:
---------------	----------	--------------	---------------	----------	--------------

*Image 1:*

11	B1393507	SCREW,HWH,10X3/8,A (QTY AR)
101	10597407	FILLER-CONTROL (M3, M4, M5)
101	10597408	FILLER-CONTROL (M1, M2)
101	10597409	FILLER-CONTROL (M6, M7, M8, M9, M10, M11, M13, M14, M15, M16, M17, M18, M19, M20, M21, M22)
101	10597410	FILLER-CONTROL (M12)
141	10589926PDG	COVER-CONT PNT (M1, M2)
141	10589927PDG	COVER-CONT PNT (M3, M4, M5)
141	10589928PDG	COVER-CONT PNT (M6, M7, M8, M9, M10, M11, M13, M14, M15, M16, M17, M18, M19, M20, M21, M22)
141	10589929PDG	COVER-CONT PNT (M12)
241	20289711PDG	PANEL-VALVE PNT

Expanded Model Nomenclature

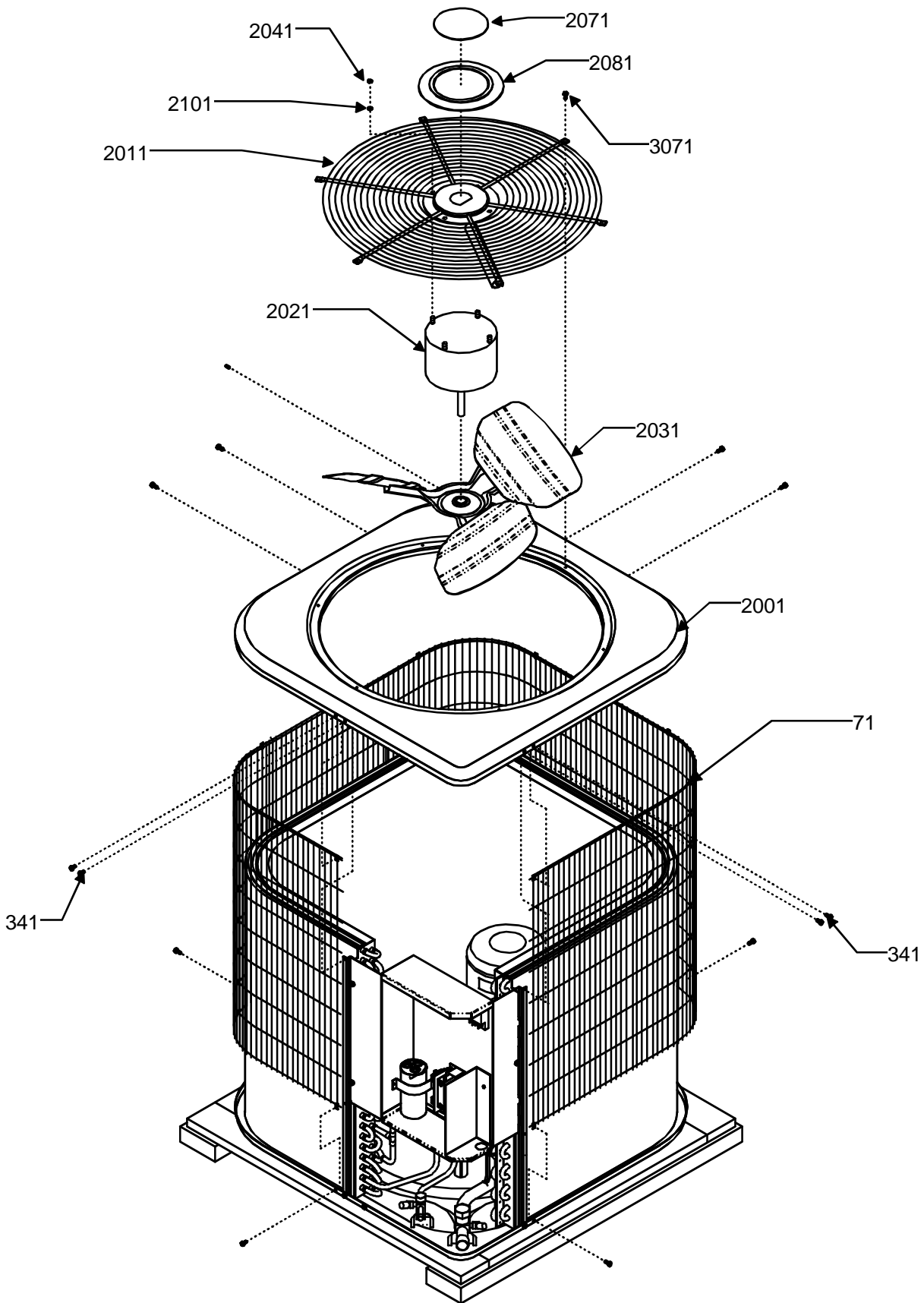
M1 - RCE24C2C	P1248007C
M2 - RCE30C2C	P1248008C
M3 - RCE36C2C	P1248009C
M4 - RCE42C2C	P1248010C
M5 - RCE48C2C	P1248011C
M6 - RCE60C2C	P1248012C
M7 - RCE24C2C	P1248013C
M8 - RCE30C2C	P1248014C
M9 - RCE36C2C	P1248015C
M10 - RCE42C2C	P1248016C
M11 - RCE48C2C	P1248017C
M12 - RCE60C2C	P1248018C
M13 - RCE24C2C	P1248019C
M14 - RCE30C2C	P1248020C
M15 - RCE36C2C	P1248021C
M16 - RCE42C2C	P1248022C
M17 - RCE48C2C	P1248023C
M18 - RCE60C2C	P1248025C
M19 - RCE24C2D	P1248027C
M20 - RCE36C2C	P1248028C
M21 - RCE42C2D	P1248029C
M22 - RCE48C2C	P1248030C



# Compressor/Tubing

Ref. Part No:	Ref. Part No:	Description:	Description:
<i>Image 1:</i>			
11	10258406PDG	BASEPAN ASSY (M3, M4, M5, M6, M9, M10, M11, M12, M15, M16, M17, M18, M20, M21, M22)	NS 22303001 TUBE WELD-LVLV (M7, M8, M9, M10, M13, M14, M15, M16, M19, M20, M21)
11	10258306PDG	BASEPAN ASSY-PNT (M1, M2, M7, M8, M13, M14, M19)	NS 22303002 TUBE WELD-LVLV (M11, M12, M17, M22)
31	ZR21KAPFV130	COMPRESSOR, ZR21KA-PFV-130 (M19)	NS 22317101 TUBE WELD-LVLV (M18)
31	ZR22K4PFV930	COMPRESSOR, ZR22K4-PFV-230 (M1, M7, M13)	NS 20521604 TUBE-FILTER DRIER (M7, M8, M9, M10, M11, M12, M13, M14, M15, M16, M17, M19, M20, M21, M22)
31	ZR24K4PFV930	COMPRESSOR, ZR24K4-PFV-230 (M8, M14)	NS 22317201 TUBE-FILTER/COND (M18)
31	ZR26K3PFV930	COMPRESSOR, ZR26K3-PFV-230 (M2)	NS 20422901 TUBE-FILTER/VLV (M7, M8, M9, M10, M11, M12, M13, M14, M15, M16, M17, M19, M20, M21, M22)
31	ZR28KAPFV130	COMPRESSOR, ZR28KA-PFV-130 (M20)	
31	ZR30K3PFV930	COMPRESSOR, ZR30K3-PFV-230 (M9, M15)	<i>Image 2:</i>
31	ZR32K3PFV930	COMPRESSOR, ZR32K3-PFV-230 (M3)	22 0110R00066P TUBE-SUCTION (M19)
31	ZR34KAPFV130	COMPRESSOR, ZR34KA-PFV-130 (M21)	22 0110R00067P TUBE-SUCTION (M20, M21)
31	ZR36K3PFV930	COMPRESSOR, ZR36K3-PFV-230 (M4, M10, M16)	22 0110R00068P TUBE-SUCTION (M22)
31	ZR38KAPFV130	COMPRESSOR, ZR38KA-PFV-130 (M22)	22 20456401 TUBE-SUCTION (M1, M7, M13)
31	ZR40K3PFV930	COMPRESSOR, ZR40K3-PFV-230 (M11, M17)	22 20456501 TUBE-SUCTION (M2, M8, M14)
31	ZR42K3PFV930	COMPRESSOR, ZR42K3-PFV-230 (M5)	22 20457601 TUBE-SUCTION (M3, M4, M9, M10, M15, M16)
31	ZR48K3PFV935	COMPRESSOR, ZR48K3-PFV-235 (M12, M18)	22 20457801 TUBE-SUCTION (M5, M11, M17)
31	ZR54K3PFV950	COMPRESSOR, ZR54K3-PFV-250 (M6)	22 20458001 TUBE-SUCTION (M6, M12, M18)
41	B1339533	GROMMET, COMPRESSOR (QTY 4)	32 B1219212 SINGLE-FLOW FILTER (M1, M2, M3, M4, M7, M8, M9, M10, M13, M14, M15, M16, M19, M20, M21)
51	M0221641	SCREW-SHOULDER TF (QTY 4)	32 B1219225 SINGLE-FLOW FILTER (M5, M6, M11, M12, M17, M18, M22)
91	22308601	COND ASSY (M7, M8, M13, M14, M19)	52 B1360717 SWITCH, LOW PRESSURE
91	22308602	COND ASSY (M9, M10, M11, M15, M16, M17, M20, M21, M22)	72 20163902 VALVE-SERVICE 3/4 (M1, M2, M7, M8, M13, M14, M19)
91	20467401	COND ASSY-PPNT (M1)	72 20163903 VALVE-SERVICE 7/8 (M3, M4, M5, M6, M9, M10, M11, M12, M15, M16, M17, M18, M20, M21, M22)
91	20467402	COND ASSY-PPNT (M2)	
91	20470101	COND ASSY-PPNT (M3, M4)	<i>Image 3:</i>
91	20470401	COND ASSY-PPNT (M5)	23 20163801 VALVE-SERVICE 3/8
91	20470701	COND ASSY-PPNT (M6, M18)	63 20456304 TUBE-LIQ/SWT (M1, M2, M3, M4, M5, M6)
91	22313001	COND ASSY-PPNT (M12)	63 22315003 TUBE-SVLV/FILTER (M18)
91	20468202	TUBE-COND/SWT VLV (M3, M4)	Expanded Model Nomenclature
111	0110R00061P	TUBE-DISCHARGE (M19)	M1 - RCE24C2C P1248007C
111	0110R00064P	TUBE-DISCHARGE (M20, M21)	M2 - RCE30C2C P1248008C
111	0110R00065P	TUBE-DISCHARGE (M22)	M3 - RCE36C2C P1248009C
111	11071502	TUBE-DISCHARGE (M5, M6)	M4 - RCE42C2C P1248010C
111	20467901	TUBE-DISCHARGE (M1, M2)	M5 - RCE48C2C P1248011C
111	20502101	TUBE-DISCHARGE (M3, M4)	M6 - RCE60C2C P1248012C
111	20518901	TUBE-DISCHARGE (M7, M8, M13, M14)	M7 - RCE24C2C P1248013C
111	22310201	TUBE-DISCHARGE (M9, M10, M15, M16)	M8 - RCE30C2C P1248014C
111	22310202	TUBE-DISCHARGE (M11, M17)	M9 - RCE36C2C P1248015C
111	22310302	TUBE-DISCHARGE (M12)	M10 - RCE42C2C P1248016C
111	22310304	TUBE-DISCHARGE (M18)	M11 - RCE48C2C P1248017C
271	B1488806	COMPRESSOR SOUND BL (M6, M12, M18)	M12 - RCE60C2C P1248018C
271	B1488807	COMPRESSOR SOUND BL (M3, M4, M5, M9, M10, M11, M15, M16, M17, M20, M21, M22)	M13 - RCE24C2C P1248019C
271	B1488810	COMPRESSOR SOUND BL (M1, M2, M7, M8, M13, M14, M19)	M14 - RCE30C2C P1248020C
341	B1393507	SCREW,HWH,10X3/8,A (QTY AR)	M15 - RCE36C2C P1248021C
3021	0210R00062P	SUCT/SWT WELD (M19)	M16 - RCE42C2C P1248022C
3021	0210R00063P	SUCT/SWT WELD (M20, M21)	M17 - RCE48C2C P1248023C
3021	0210R00064P	SUCT/SWT WELD (M22)	M18 - RCE60C2C P1248025C
3021	20456201	SUCT/SWT WELD (M1, M7, M13)	M19 - RCE24C2D P1248027C
3021	20457401	SUCT/SWT WELD (M2, M8, M14)	M20 - RCE36C2C P1248028C
3021	20457501	SUCT/SWT WELD (M3, M4, M9, M10, M15, M16)	M21 - RCE42C2D P1248029C
3021	20457701	SUCT/SWT WELD (M5, M11, M17)	M22 - RCE48C2C P1248030C
3021	20457901	SUCT/SWT WELD (M6, M12, M18)	
3081	10839819	GASKET-.062X.50	
3201	20328901	SUPPORT-COIL (QTY 4)	
NS	10839811	GASKET-.12X1.0 (M18)	
NS	10839810	GASKET-.18X.38	
NS	20456102	TUBE WELD-LVLV (M1, M2, M3, M4, M5, M6)	

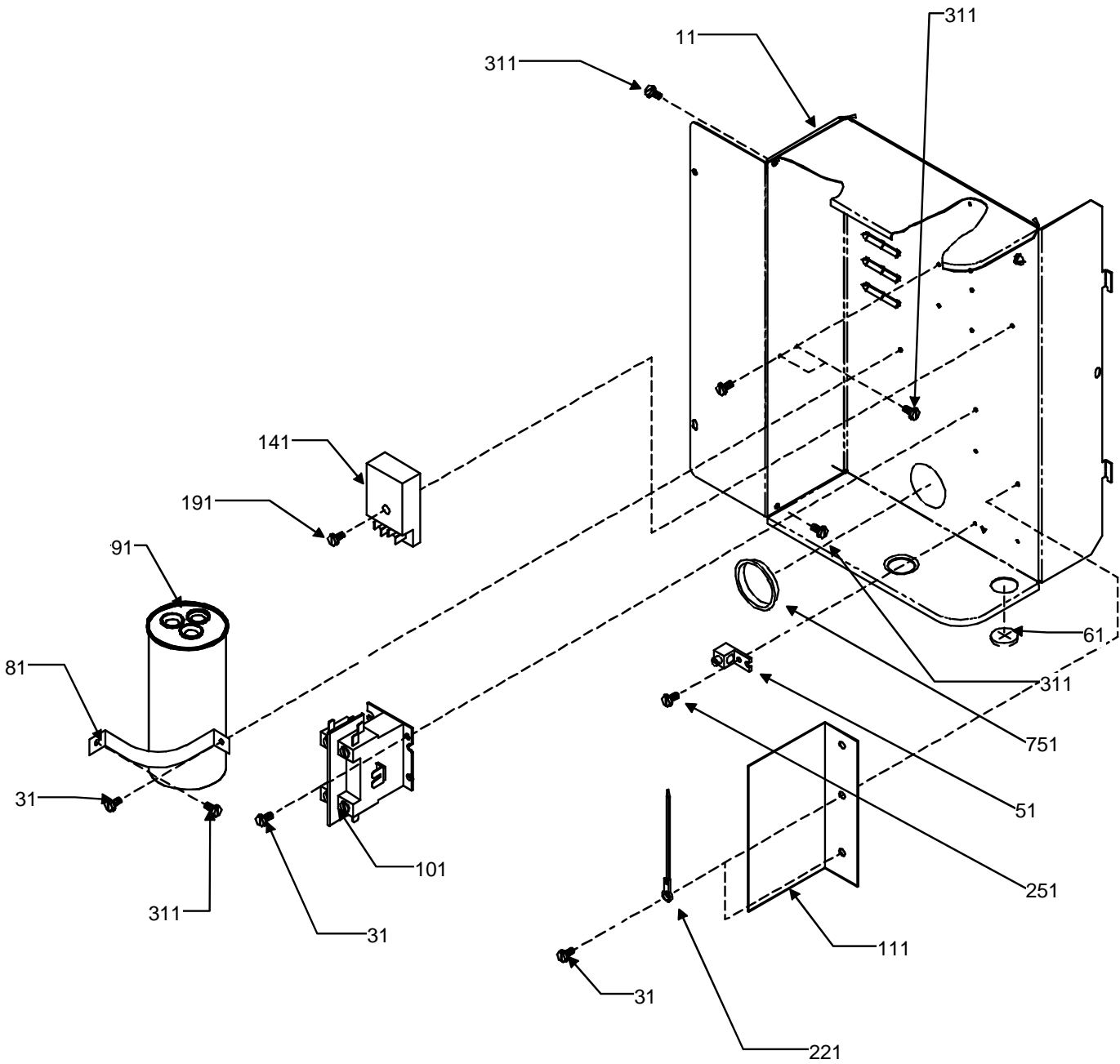
# Cabinet/Top



# Cabinet/Top

Ref. Part No:	Description:	Ref. Part No:	Description:
<i>Image 1:</i>		Expanded Model Nomenclature	
71	20449314Q GRILLE-FORMED (M6, M9, M10, M11, M15, M16, M17, M18, M20, M21, M22)	M1 - RCE24C2C	P1248007C
71	20449315Q GRILLE-FORMED (M1, M2)	M2 - RCE30C2C	P1248008C
71	20449316Q GRILLE-FORMED (M3, M4, M5)	M3 - RCE36C2C	P1248009C
71	20449319Q GRILLE-FORMED (M7, M8, M13, M14, M19)	M4 - RCE42C2C	P1248010C
71	20449320Q GRILLE-FORMED (M12)	M5 - RCE48C2C	P1248011C
341	B1393507 SCREW,HWH,10X3/8,A (QTY AR)	M6 - RCE60C2C	P1248012C
2001	10576105PDG COVER-TOP PNT (M1, M2, M7, M8, M13, M14, M19)	M7 - RCE24C2C	P1248013C
2001	10576310PDG COVER-TOP PNT (M3, M4, M5, M6, M9, M10, M11, M12, M15, M16, M17, M18, M20, M21, M22)	M8 - RCE30C2C	P1248014C
2011	20515002 GRILLE-FAN (M1, M2, M7, M8, M13, M14, M19)	M9 - RCE36C2C	P1248015C
2011	20515003 GRILLE-FAN (M3, M4, M5, M6, M9, M10, M11, M12, M15, M16, M17, M18, M20, M21, M22)	M10 - RCE42C2C	P1248016C
2021	10584322 MOTOR-COND 1/12HP, 208-230V, CCW, 825 RPM (M13, M14, M19)	M11 - RCE48C2C	P1248017C
2021	10584313 MOTOR-COND 1/4HP, 208-230V, CW, 825 RPM (M3, M4, M5, M6, M12)	M12 - RCE60C2C	P1248018C
2021	10584308 MOTOR-COND 1/6HP, 208-230V, CW, 825 RPM (M9, M10, M11)	M13 - RCE24C2C	P1248019C
2021	10584307 MOTOR-COND 1/12HP, 208-230V, CW, 825 RPM (M1, M2, M7, M8)	M14 - RCE30C2C	P1248020C
2021	B13400272 MOTOR-COND 1/4HP, 208-230V, CCW, 825 RPM (M18)	M15 - RCE36C2C	P1248021C
2021	10584323 MOTOR-COND 1/6HP, 208-230V, CCW, 825 RPM (M15, M16, M17, M20, M21, M22)	M16 - RCE42C2C	P1248022C
2031	10625705 BLADE-FAN 22" ALUM (M1, M2, M7, M8)	M17 - RCE48C2C	P1248023C
2031	10625737 BLADE-FAN 22" ALUM (M13, M14, M19)	M18 - RCE60C2C	P1248025C
2031	10625707 BLADE-FAN 26" ALUM (M3, M4, M5, M6, M9, M10, M11)	M19 - RCE24C2D	P1248027C
2031	10625736 BLADE-FAN 26" ALUM (M12)	M20 - RCE36C2C	P1248028C
2031	10625738 BLADE-FAN 26" ALUM (M15, M16, M17, M18, M20, M21, M22)	M21 - RCE42C2D	P1248029C
2041	M0280801 NUT-HEX (QTY 4)	M22 - RCE48C2C	P1248030C
2071	20325004 INSERT-LOGO		
2081	10651102 DISK-LOGO		
2101	M0272803 WASHER-LOCK (QTY 4)		

# Control Box



# Control Box

Ref. Part No:	Part No:	Description:	Ref. Part No:	Part No:	Description:
---------------	----------	--------------	---------------	----------	--------------

Image 1:

11	11174704	CONTROL BOX-1PC
31	M0216517	SCREW-SM (QTY 10)
51	A9015201	LUG-GROUND
61	A4603801	GROMMET
81	20520901	STRAP-CAPACITOR
91	D6789049	CAPACITOR, 35/5/370 (M1, M7, M8, M13, M14, M19)
91	D6789024	CAPACITOR, 40/5/370 (M2)
91	D6789031	CAPACITOR, 45/5/370 (M3, M9, M15, M20)
91	D6789043	CAPACITOR, 50/5/370 (M4, M10, M16, M21)
91	D6789045	CAPACITOR, 55/5/370 (M11, M17, M22)
91	D6789046	CAPACITOR, 60/5/370 (M5)
91	B94578800	CAPACITOR, 60/5/440 (M12, M18)
91	D6789047	CAPACITOR, 80/5/370 (M6)
101	C6170004	CONTACTOR-25A (M1, M2, M3, M4, M7, M8, M9, M10, M13, M14, M15, M16, M19, M20, M21)
101	C6170002	CONTACTOR-30A (M5, M11, M17, M22)
101	C6170005	CONTACTOR-40A (M6, M12, M18)
111	20521001	BARRIER-LOW VOLTAGE
141	C6415502	PROTECTOR-CYCLE
191	M0216521	SCREW-SM
221	M0322204	TIE-ELEC (QTY 2)
251	M0216529	SCREW-SM
311	M0216515	SCREW-SM (QTY 4)
751	A4554807	BUSHING-SNAP

Expanded Model Nomenclature

M1 - RCE24C2C	P1248007C
M2 - RCE30C2C	P1248008C
M3 - RCE36C2C	P1248009C
M4 - RCE42C2C	P1248010C
M5 - RCE48C2C	P1248011C
M6 - RCE60C2C	P1248012C
M7 - RCE24C2C	P1248013C
M8 - RCE30C2C	P1248014C
M9 - RCE36C2C	P1248015C
M10 - RCE42C2C	P1248016C
M11 - RCE48C2C	P1248017C
M12 - RCE60C2C	P1248018C
M13 - RCE24C2C	P1248019C
M14 - RCE30C2C	P1248020C
M15 - RCE36C2C	P1248021C
M16 - RCE42C2C	P1248022C
M17 - RCE48C2C	P1248023C
M18 - RCE60C2C	P1248025C
M19 - RCE24C2D	P1248027C
M20 - RCE36C2C	P1248028C
M21 - RCE42C2D	P1248029C
M22 - RCE48C2C	P1248030C