

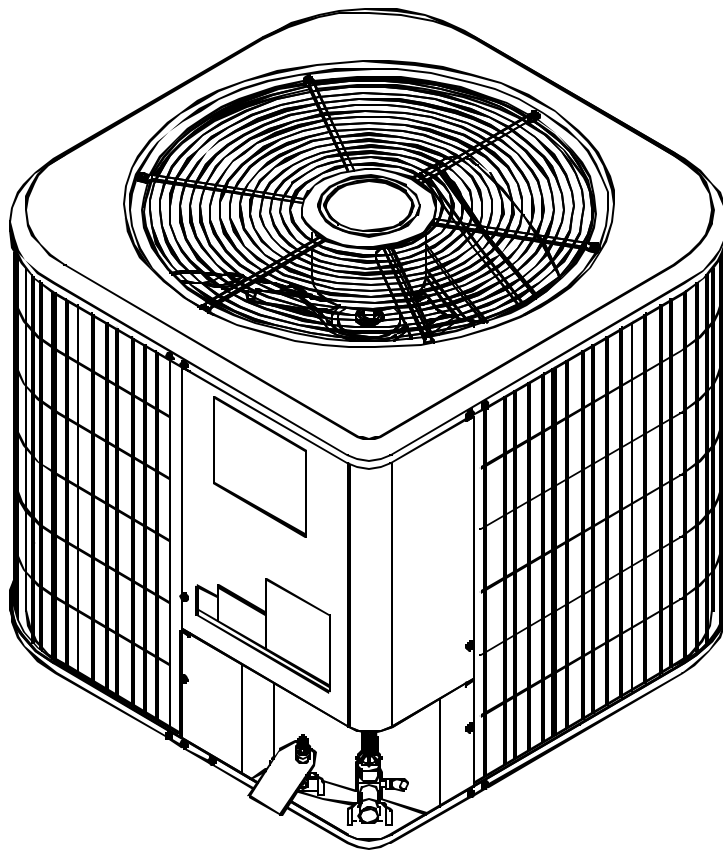
Models and manufacturing  
numbers in this manual

RCE24C2A	P1248001C
RCE30C2A	P1248002C
RCE36C2A	P1248003C
RCE42C2A	P1248004C
RCE48C2A	P1248005C
RCE60C2A	P1248006C

# Service Parts

## RCE\*C2A 12 SEER Remote Condensing Units

This manual replaces RP6113003.



This manual is to be used by  
qualified appliance technicians only.

**Amana**  
Heating & Air Conditioning  
Comfort. Quality. Trust.

Amana is a trademark of Maytag Worldwide N.V. and used under license to Goodman Company, L.P. All rights reserved.

RP6113003  
Revision 1  
September 2003

Copyright ©2003 Goodman Company, L.P.

## Important Information

---

Goodman Company, L.P. is not responsible for personal injury or property damage resulting from improper service. Review all service information before beginning repairs.

Warranty service must be performed by an authorized technician, using authorized factory parts. If service is required after the warranty expires, Goodman Company, L.P. also recommends contacting an authorized technician and using authorized factory parts.

For assistance within the U.S.A. contact:

Consumer Affairs Department  
Goodman Company, L.P.  
7401 Security Way  
Houston, Texas 77040  
877-254-4729-Telephone  
713-863-2382-Facsimile

For assistance outside the U.S.A. contact:

International Division  
Goodman Company, L.P.  
7401 Security Way  
Houston, Texas 77040  
713-861-2500-Telephone  
713-863-2382-Facsimile

# Index

Functional Parts List .....	4 - 5
Illustration and Parts .....	6 - 13

*Views shown are for parts illustrations only, not servicing procedures.*

Revision 1: Updates the discharge tube used on RCE36C2A and RCE42C2A.

## Text Codes:

AR - As Required

NA - Not Available

NS - Not Shown

00000000 - See Note

QTY - Quantity Example (QTY 3) (If Quantity not shown, Quantity = 1)

M - Model Example (M1) (If M Code not shown, then part is used on all Models)

## Expanded Model and Color Nomenclature:

Example

M1 - Model#1 P \_\_\_\_\_

M2 - Model#2 P \_\_\_\_\_

M3 - Model#3 P \_\_\_\_\_

# Functional Parts

## Part

## No: Description:

---

D6789024	CAPACITOR-DUAL (M2)
D6789031	CAPACITOR-METAL (M3)
D6789046	CAPACITOR-METAL (M5)
D6789047	CAPACITOR-METAL (M6)
D6789049	CAPACITOR-POLY (M1)
D6789043	CAPACITOR-POLY (M4)
B9266390	COMP-CP ZR22K4-PFV (M1)
11012507	COMP-CP ZR26K3-PFV (M2)
11012506	COMP-CP ZR32K3-PFV (M3)
11012505	COMP-CP ZR36K3-PFV (M4)
B9266352	COMP-CP ZR42K3 PFV (M5)
10289209	COMP-CP ZR54K3-PFV (M6)
20470401	COND ASSY-PPNT (M5)
20467401	COND ASSY-PPNT (M1)
20467402	COND ASSY-PPNT (M2)
20470101	COND ASSY-PPNT (M3, M4)
20470701	COND ASSY-PPNT (M6)
C6170004	CONTACTOR-25A (M1, M2, M3, M4)
C6170002	CONTACTOR-30A (M5)
C6170005	CONTACTOR-40A (M6)
10625705	FAN-CONDENSER (M1, M2)
10625707	FAN-CONDENSER (M3, M4, M5, M6)
B1219212	FILTER-DRIER
B1219225	FILTER-DRIER (M5, M6)
10686509	HARNESS-COMP (M3, M4, M5)
10686508	HARNESS-COMP (M1, M2)
11169001	HARNESS-WIRING (M6)
B1360713	HIGH PRESS. SWITCH C
B1360717	LO PRESS SW CP18-60C
10584307	MOTOR-COND (M1, M2)
10584313	MOTOR-COND (M3, M4, M5, M6)
C6415502	PROTECTOR-CYCLE

# Functional Parts

**Part**

**No:            Description:**

---

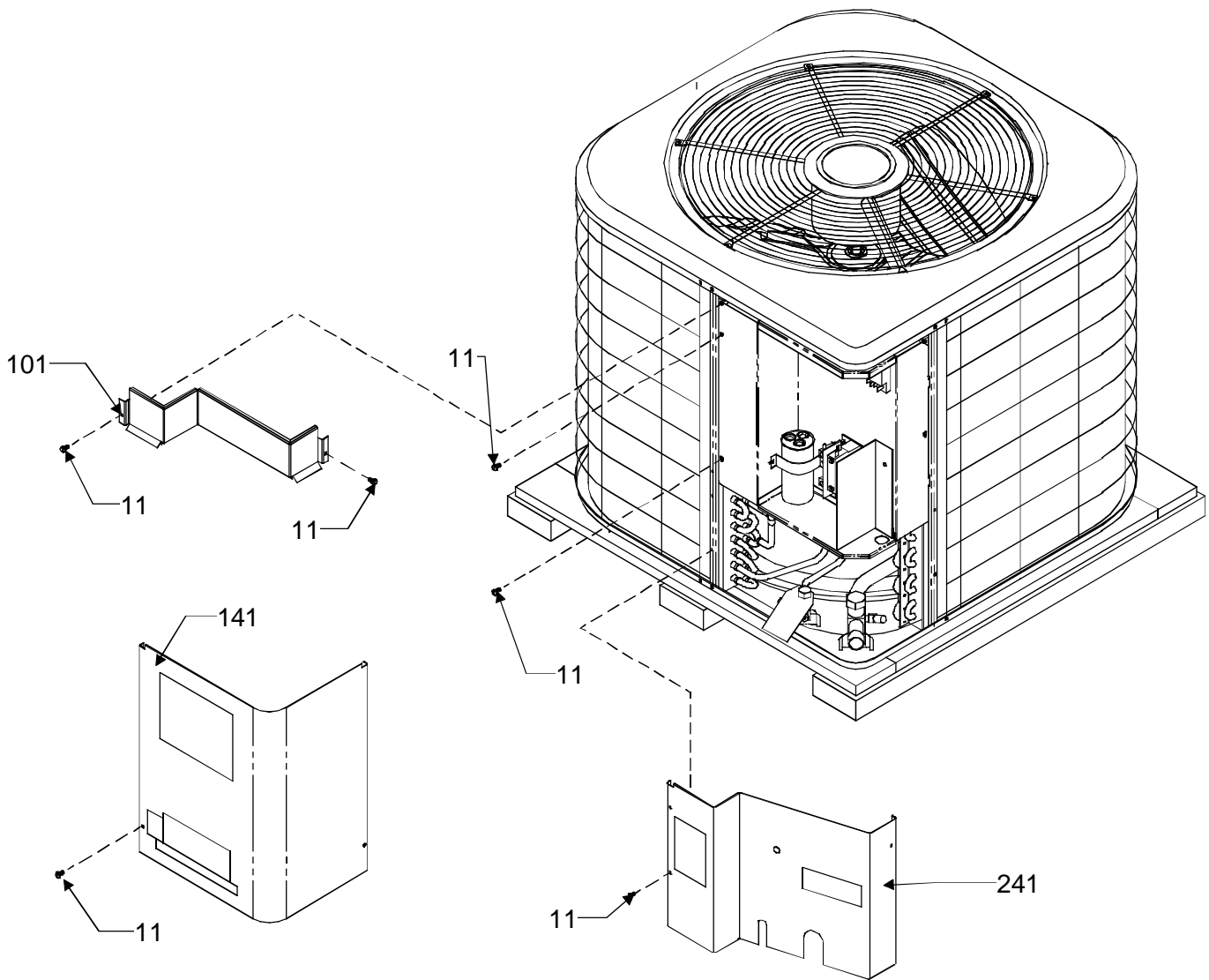
**SPECIAL PARTS**

10652423S    MANUAL-INSTAL  
10659202S    MANUAL-OWNERS  
20451215    RCE24C2A SPEC SHT (M1)  
20451216    RCE30C2A-SPEC SHT (M2)  
20451217    RCE36C2A-SPEC SHT (M3)  
20451218    RCE42C2A-SPEC SHT (M4)  
20451219    RCE48C2A SPEC SHT (M5)  
20451220    RCE60C2A-SPEC SHT (M6)  
RS6200003    SERVICE MANUAL  
RT6112003    TECHNICAL INFORMATION  
20315606S    WARRANTY 5/10 YR CAC

**Expanded Model and Color Nomenclature**

M1 - RCE24C2A	P1248001C
M2 - RCE30C2A	P1248002C
M3 - RCE36C2A	P1248003C
M4 - RCE42C2A	P1248004C
M5 - RCE48C2A	P1248005C
M6 - RCE60C2A	P1248006C

# Control/Cover



# Control/Cover

Ref. Part No:	No:	Description:	Ref. Part No:	No:	Description:
---------------	-----	--------------	---------------	-----	--------------

---

Image 1:

11	M0220816	SCREW-SM (QTY 11)
101	10597407	FILLER-CONTROL (M3, M4, M5)
101	10597408	FILLER-CONTROL (M1, M2)
101	10597409	FILLER-CONTROL (M6)
141	10589917	COVER-CONT (M1, M2)
141	10589918	COVER-CONT (M3, M4, M5)
141	10589919	COVER-CONT (M6)
241	20289707	PANEL-VALVE
NS	B1219212	FILTER-DRIER
NS	B1219225	FILTER-DRIER (M5, M6)

## Expanded Model and Color Nomenclature

M1 - RCE24C2A	P1248001C
M2 - RCE30C2A	P1248002C
M3 - RCE36C2A	P1248003C
M4 - RCE42C2A	P1248004C
M5 - RCE48C2A	P1248005C
M6 - RCE60C2A	P1248006C

# Compressor/Tubing

Image 1

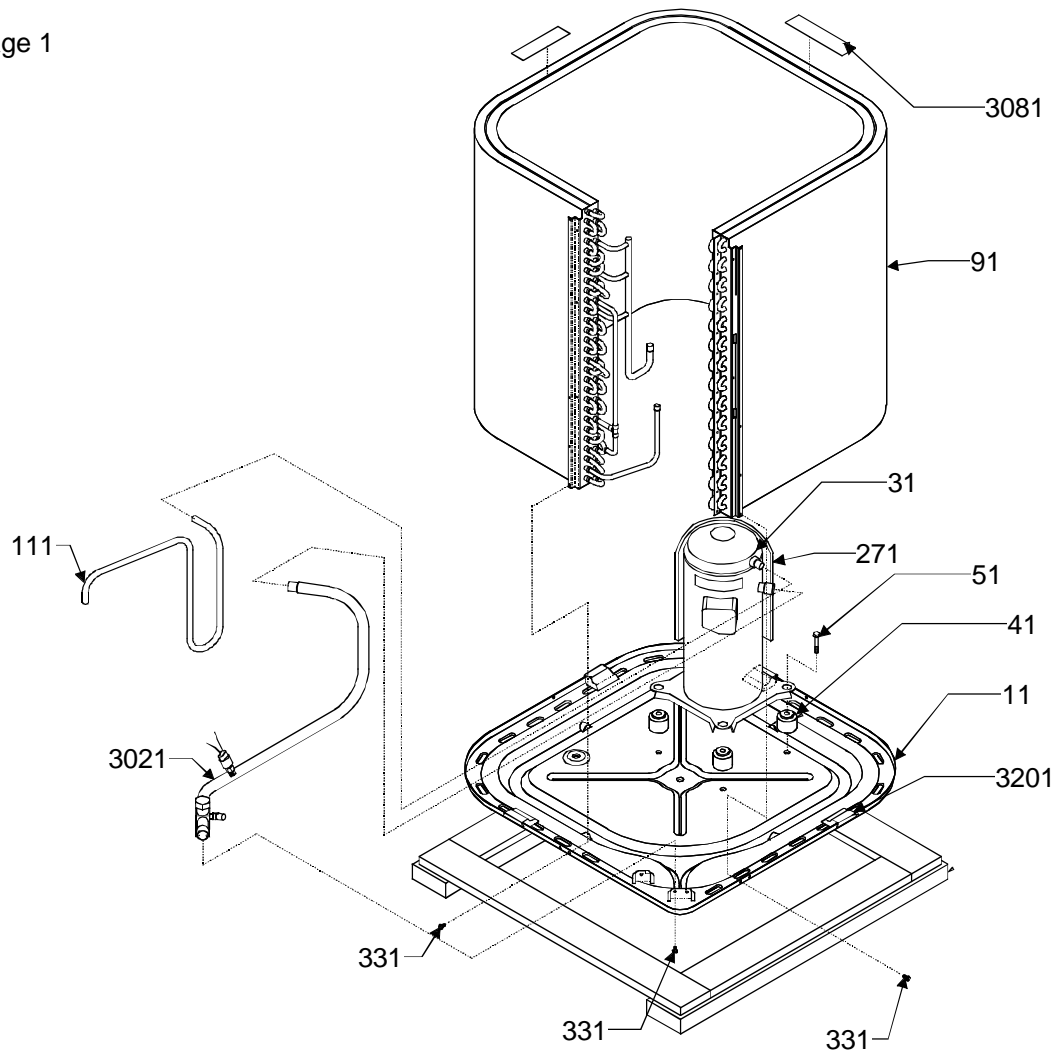


Image 2

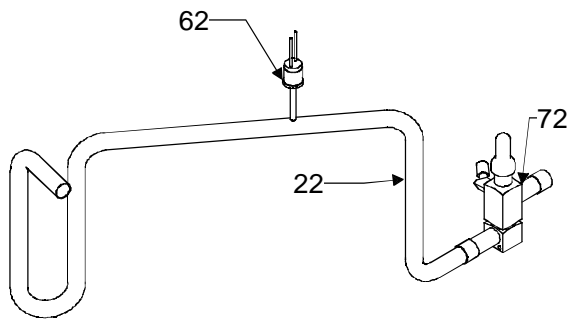
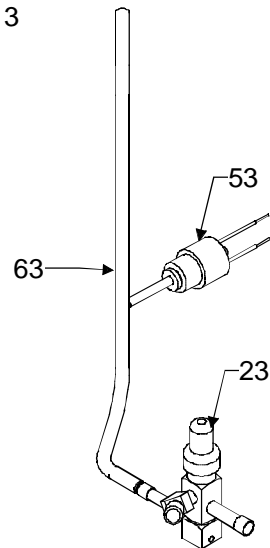


Image 3



# Compressor/Tubing

Ref. Part No:	Ref. Part No:	Description:	Description:
---------------	---------------	--------------	--------------

*Image 1:*

11	10258303	BASEPAN (M1, M2)
11	10258403	BASEPAN ASSY (M3, M4, M5, M6)
31	B9266390	COMP-CP ZR22K4-PFV (M1)
31	11012507	COMP-CP ZR26K3-PFV (M2)
31	11012506	COMP-CP ZR32K3-PFV (M3)
31	11012505	COMP-CP ZR36K3-PFV (M4)
31	B9266352	COMP-CP ZR42K3 PFV (M5)
31	10289209	COMP-CP ZR54K3-PFV (M6)
41	10107301	GROMMET-COMP FOOT (QTY 4)
51	M0221641	SCREW-SHOULDER TF (QTY 4)
91	20467401	COND ASSY-PPNT (M1)
91	20467402	COND ASSY-PPNT (M2)
91	20470101	COND ASSY-PPNT (M3, M4)
91	20470401	COND ASSY-PPNT (M5)
91	20470701	COND ASSY-PPNT (M6)
111	11071502	TUBE-DISCHARGE (M5, M6)
111	20467901	TUBE-DISCHARGE (M1, M2)
111	20501101	TUBE-DISCHARGE (M3, M4)
271	B1488806	COMPRESSOR BLANKET (M6)
271	B1488807	COMPRESSOR BLANKET (M3, M4, M5)
271	B1488810	COMPRESSOR BLANKET (M1, M2)
331	M0220816	SCREW-SM (QTY 7)
3021	20456201	SUCT/SWT WELD (M1)
3021	20457401	SUCT/SWT WELD (M2)
3021	20457501	SUCT/SWT WELD (M3, M4)
3021	20457701	SUCT/SWT WELD (M5)
3021	20457901	SUCT/SWT WELD (M6)
3081	10839819	GASKET-.062X.50
3201	20328901	SUPPORT-COIL (QTY 4)
NS	20460303	LIQUID VALVE ASM. (M1, M2, M3, M4)
NS	20460304	LIQUID VALVE ASM. (M5, M6)

*Image 2:*

22	20456401	TUBE-SUCTION (M1)
22	20456501	TUBE-SUCTION (M2)
22	20457601	TUBE-SUCTION (M3, M4)
22	20457801	TUBE-SUCTION (M5)
22	20458001	TUBE-SUCTION (M6)
62	B1360717	LO PRESS SW CP18-60C
72	20435102	VALVE-SWEAT 3/4 (M1, M2)
72	20435103	VALVE-SWEAT 7/8 (M3, M4, M5, M6)

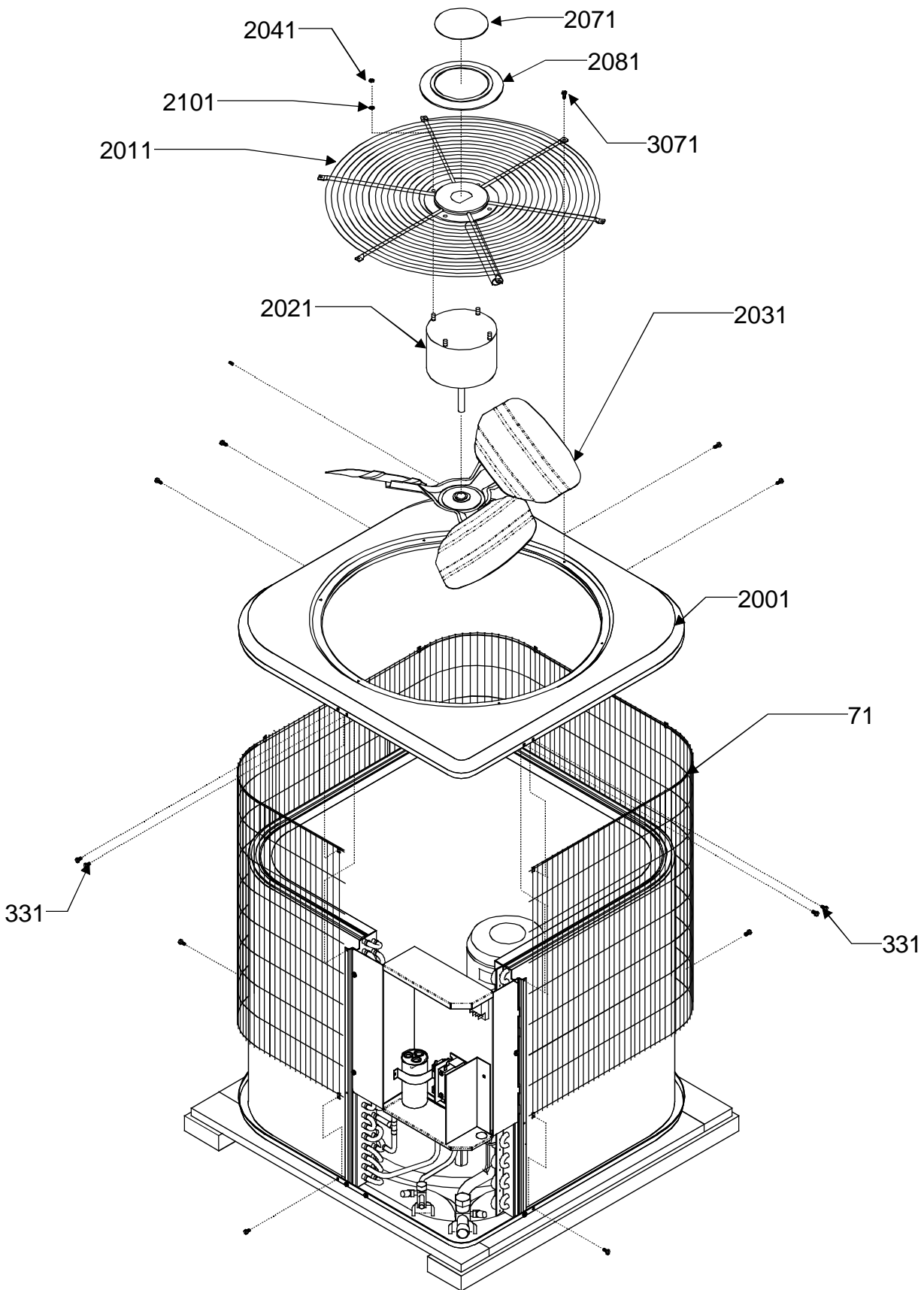
*Image 3:*

23	20435201	VALVE-SWEAT 3/8
53	B1360713	HIGH PRESS. SWITCH C
63	20456101	TUBE WELD-LVLV

### Expanded Model and Color Nomenclature

M1 - RCE24C2A	P1248001C
M2 - RCE30C2A	P1248002C
M3 - RCE36C2A	P1248003C
M4 - RCE42C2A	P1248004C
M5 - RCE48C2A	P1248005C
M6 - RCE60C2A	P1248006C

# Cabinet/Top



# Cabinet/Top

Ref. Part No:	No:	Description:	Ref. Part No:	No:	Description:
---------------	-----	--------------	---------------	-----	--------------

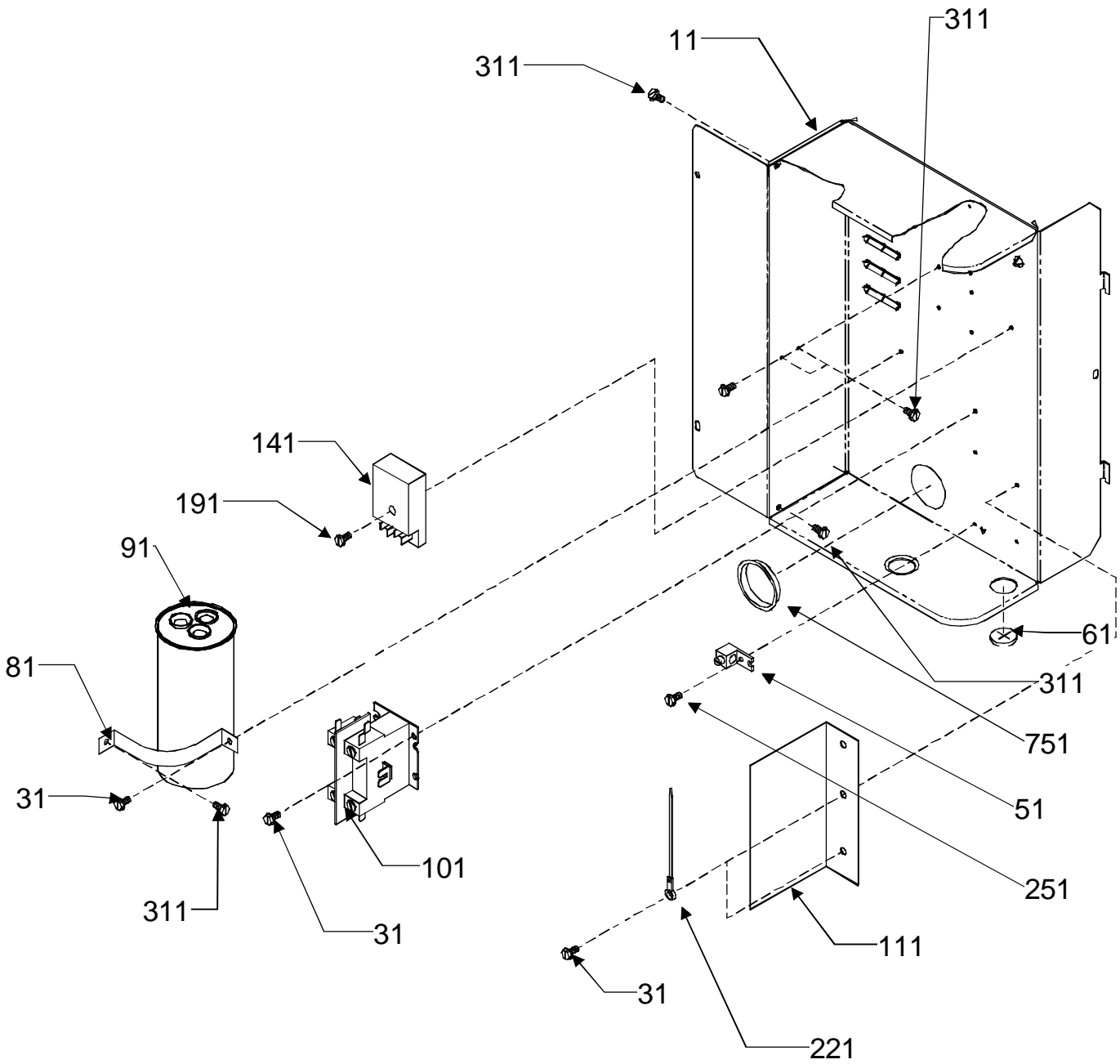
Image 1:

71	20449304	GRILLE-FORMED (M6)
71	20449305	GRILLE-FORMED (M1, M2)
71	20449306	GRILLE-FORMED (M3, M4, M5)
331	M0220816	SCREW-SM (QTY 7)
2001	20027902	COVER-PNT TOP (M1, M2)
2001	10576305	COVER-TOP (M3, M4, M5, M6)
2011	20440502	GRILLE-FAN (M1, M2)
2011	20440504	GRILLE-FAN (M3, M4, M5, M6)
2021	10584307	MOTOR-COND (M1, M2)
2021	10584313	MOTOR-COND (M3, M4, M5, M6)
2031	10625705	FAN-CONDENSER (M1, M2)
2031	10625707	FAN-CONDENSER (M3, M4, M5, M6)
2041	M0280801	NUT-HEX (QTY 4)
2071	20325004	INSERT-LOGO
2081	10651101	DISK-LOGO
2101	M0272803	WASHER-LOCK (QTY 4)
3071	M0229303	SCREW-SM (QTY 6)

## Expanded Model and Color Nomenclature

M1 - RCE24C2A	P1248001C
M2 - RCE30C2A	P1248002C
M3 - RCE36C2A	P1248003C
M4 - RCE42C2A	P1248004C
M5 - RCE48C2A	P1248005C
M6 - RCE60C2A	P1248006C

# Control Box



# Control Box

Ref. Part No:	Part No:	Description:	Ref. Part No:	Part No:	Description:
---------------	----------	--------------	---------------	----------	--------------

Image 1:

11	11174704	CONTROL BOX-1PC
31	M0216517	SCREW-SM (QTY 10)
51	A9015201	LUG-GROUND
61	A4603801	GROMMET
81	C6300508	STRAP-CAPACITOR (M2, M3, M4, M5, M6)
81	C6300512	STRAP-CAPACITOR (M1)
91	D6789024	CAPACITOR-DUAL (M2)
91	D6789031	CAPACITOR-METAL (M3)
91	D6789046	CAPACITOR-METAL (M5)
91	D6789047	CAPACITOR-METAL (M6)
91	D6789043	CAPACITOR-POLY (M4)
91	D6789049	CAPACITOR-POLY (M1)
101	C6170004	CONTACTOR-25A (M1, M2, M3, M4)
101	C6170002	CONTACTOR-30A (M5)
101	C6170005	CONTACTOR-40A (M6)
111	11156901	BARRIER-LOW VOLT
141	C6415502	PROTECTOR-CYCLE
191	M0216521	SCREW-SM
221	M0322204	TIE-ELEC (QTY 2)
251	M0216529	SCREW-SM
311	M0216515	SCREW-SM (QTY 4)
751	A4554807	BUSHING-SNAP

## Expanded Model and Color Nomenclature

M1 - RCE24C2A	P1248001C
M2 - RCE30C2A	P1248002C
M3 - RCE36C2A	P1248003C
M4 - RCE42C2A	P1248004C
M5 - RCE48C2A	P1248005C
M6 - RCE60C2A	P1248006C