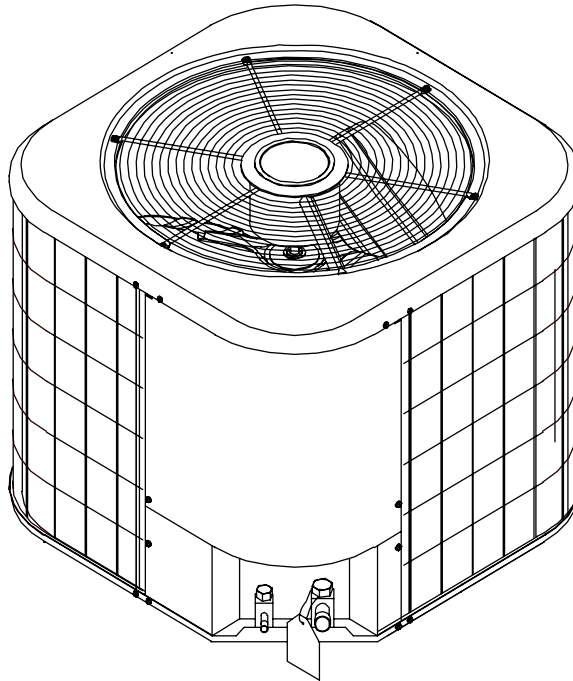


RCB*C2A/B/C 10 SEER Remote Condensing Units

RCB18C2A	P1247501C
RCB18C2B	P1247508C
RCB18C2C	P1247513C
RCB24C2A	P1247502C
RCB24C2B	P1247509C
RCB24C2C	P1247514C
RCB30C2A	P1247503C
RCB30C2B	P1247510C
RCB30C2C	P1247515C
RCB36C2A	P1247504C
RCB36C2B	P1247511C
RCB36C2C	P1247516C
RCB42C2A	P1247505C
RCB42C2B	P1247512C
RCB42C2C	P1247517C
RCB48C2A	P1247506C
RCB48C2B	P1256401C
RCB48C2C	P1256405C
RCB60C2A	P1247507C
RCB60C2B	P1256402C
RCB60C2C	P1256406C



RP6111003 Rev. 2
August 2004

Amana is a trademark of Maytag Corporation and used under license to Goodman Company, L.P. All rights reserved.

This manual is to be used by qualified technicians only.

www.amana-hac.com

This manual replace RP6111003 Rev. 1.
Copyright © 2004-2007 Goodman Company, L.P.

Important Information

Index

Functional Parts List	3 - 4
Illustration and Parts	6 - 13

Views shown are for parts illustrations only, not servicing procedures

Revision 1: Adds Manufacturing #s P1247508C, P1247509C, P1247510C, P1247511C, P1247512C, P1256401C, and P1256402C.

Revision 2: Adds new RCB*C*C models. Paint color of cabinet changed to grey. Corrects capacitor part number for RCB60C2B P1256402C.

06/2006: Corrected Compressor for RCB24C2C. Changed p/n from CR22KFPFV920 to CR22KFPFV930.

Text Codes:

AR - As Required

NA - Not Available

NS - Not Shown

00000000 - See Note

QTY - Quantity Example (QTY 3) (If Quantity not shown, Quantity = 1)

M - Model Example (M1) (If M Code not shown, then part is used on all Models)

Expanded Model Nomenclature:

Example M1 - Model#1 M2 - Model#2 M3 - Model#3

Goodman Company, L.P. is not responsible for personal injury or property damage resulting from improper service. Review all service information before beginning repairs.

Warranty service must be performed by an authorized technician, using authorized factory parts. If service is required after the warranty expires, Goodman Company, L.P. also recommends contacting an authorized technician and using authorized factory parts.

Goodman Company, L.P. reserves the right to discontinue, or change at any time, specifications or designs without notice or without incurring obligations.

For assistance within the U.S.A. contact:

Consumer Affairs Department
Goodman Company, L.P.
7401 Security Way
Houston, Texas 77040
877-254-4729-Telephone
713-863-2382-Facsimile

For assistance outside the U.S.A. contact:

International Division
Goodman Company, L.P.
7401 Security Way
Houston, Texas 77040
713-861-2500-Telephone
713-863-2382-Facsimile

Functional Parts

Part

No: Description:

Part No:	Description:		
D6789048	CAPACITOR 25/5/370 (M1, M8, M15)	10625706	FAN-CONDENSER 3BLADE,CW,33DEG (M4, M5, M6, M7, M13, M14)
D6789051	CAPACITOR 30/5/370 (M2, M9, M16)	10625717	FAN-CONDENSER 3BLADE,CW,37DEG (M3, M10)
D6789049	CAPACITOR 35/5/370 (M3, M10, M17)	20462503	HARNESS-COMPRESSOR (M5, M6, M12, M13, M19, M20)
D6789025	CAPACITOR 35/5/440 (M4)	10651507	HARNESS-COMPRESSOR (M1, M2)
D6789024	CAPACITOR 40/5/370 (M6)	10651509	HARNESS-COMPRESSOR (M7)
B94575600	CAPACITOR 40/5/440 (M20)	10651517	HARNESS-COMPRESSOR (M3, M4, M8, M9, M10, M11, M15, M16, M17, M18)
D6789028	CAPACITOR 40/5/440 (M5, M12, M13, M19)	20430101	HARNESS-COMPRESSOR (M14, M21)
D6789043	CAPACITOR 50/5/370 (M11, M18)	10584307	MOTOR-COND 1/2HP, 230V,825RPM (M1, M2, M8, M9, M11, M12)
D6789046	CAPACITOR 60/5/370 (M7, M14, M21)	10584313	MOTOR-COND 1/4HP, 230V,830RPM (M4, M5, M6, M7, M13, M14)
CR16K6PFV920	COMPRESSOR, CR16KF-PFV-220*, OLD PN# 10481828 (M1, M8, M15)	10584308	MOTOR-COND 1/6HP, 230V,825RPM (M3, M10)
CR22KFPFV930	SERVICE COMPRESSOR MAY BE DIFFERENT THAN PRODUCTION COMPRESSOR, CR22KF-PFV-230 (M2, M9, M16)	20272613	PISTON 0530 BAG ASSY (M1, M8, M15)
CR28K6PFV920	COMPRESSOR, CR28K6-PFV-220, OLD PN#10481823 (M3, M10, M17)	20272603	PISTON 0591 BAG ASSY (M2, M9)
10481817	COMPRESSOR, CR32K6-PFV-230 (M4)	20272611	PISTON 0650 BAG ASSY (M3, M10)
CR34K6PFV920	COMPRESSOR, CR34K6-PFV-220 (M11, M18)	20272612	PISTON 0710 BAG ASSY (M4, M11, M18)
CR38K6PFV920	COMPRESSOR, CR38K6-PFV-220, OLD PN# 10481824 (M5, M19)	20272607	PISTON 0760 BAG ASSY (M5, M12, M19)
CR42K6PFV920	COMPRESSOR, CR42K6-PFV-223 (M13, M20)	20272614	PISTON 0820 BAG ASSY (M13, M20)
ZR40KCPFV930	COMPRESSOR, ZR40KC-PFV-230, OLD PN# 11012513 (M12)	20272608	PISTON 0846 BAG ASSY (M6)
ZR45KCPFV935	COMPRESSOR, ZR45KC-PFV-235, OLD PN# 11012511 (M6)	20272609	PISTON 0925 BAG ASSY (M7, M14, M21)
ZR57KCPFV950	COMPRESSOR, ZR57KC-PFV-250, OLD PN# B9266355 (M7, M14, M21)	B1443829	RESTRICTOR 053 (M1)
20435901	CONDENSING ASSY (M3)	B1443823	RESTRICTOR 059 (M2)
20433701	CONDENSING ASSY (M1)	B1443821	RESTRICTOR 065 (M3)
20435905	CONDENSING ASSY (M18)	B1443822	RESTRICTOR 071 (M4)
20435501	CONDENSING ASSY (M2)	B1443817	RESTRICTOR 076 (M5)
20437201	CONDENSING ASSY (M6, M7)	B1443805	RESTRICTOR 084 (M6)
20436001	CONDENSING ASSY (M4, M5)	B1443810	RESTRICTOR 092 (M7)
20435903	CONDENSING ASSY (M11)	B1219225	SINGLE-FLOW FILTER-DRIER (M6, M7, M12, M13, M14, M19, M20, M21)
20424803	CONDENSING ASSY (M12, M19)	B1219212	SINGLE-FLOW FILTER-DRIER (M1, M2, M3, M4, M5, M8, M9, M10, M11, M15, M16, M17, M18)
20410005	CONDENSING ASSY (M8, M15)	B1104806	START-CAPACITOR (M1, M2, M3, M4, M8, M9, M10, M11, M15, M16, M17, M18)
20411003	CONDENSING ASSY (M9, M16)	B1104807	START-CAPACITOR (M5, M20)
20411405	CONDENSING ASSY (M10)	10142307	START-RELAY (M1, M8, M15)
20411406	CONDENSING ASSY (M17)	10142317	START-RELAY (M4, M11, M18)
11163807	CONDENSING ASSY-PPNT (M13)	10142305	START-RELAY (M2, M3, M5, M9, M10, M16, M17, M20)
11163809	CONDENSING ASSY-PPNT (M20)		
11163806	CONDENSING ASSY-PPNT (M14)		
11163808	CONDENSING ASSY-PPNT (M21)		
10625716	FAN-CONDENSER 3BLADE,CW,27DEG (M1, M2, M8, M9)		
10625703	FAN-CONDENSER 3BLADE,CW,28DEG (M11, M12)		

Functional Parts

Part

No: Description:

SPECIAL PARTS

RT6111006	MANUAL TECHNICAL
10652423S	MANUAL-INSTAL
10659202S	MANUAL-OWNERS
RS6200003	MANUAL-SERVICE
RP6111003	PARTS MANUAL
PDB-RCB	PRODUCT DATA BOOK (M8, M9, M10, M11, M12, M13, M14, M15, M16, M17, M18, M19, M20, M21)
20451201	RCB18C2A SPEC SHT (M1)
20451202	RCB24C2A SPEC SHT (M2)
20451203	RCB30C2A SPEC SHT (M3)
20451204	RCB36C2A SPEC SHT (M4)
20451205	RCB42C2A SPEC SHT (M5)
20451206	RCB48C2A SPEC SHT (M6)
20451207	RCB60C2A SPEC SHT (M7)
20315606S	WARRANTY (M1, M2, M3, M4, M5, M6, M7)
20490503S	WARRANTY (M8, M9, M10, M11, M12, M13, M14, M15, M16, M17, M18, M19, M20, M21)

Expanded Model Nomenclature

M1 - RCB18C2A	P1247501C
M2 - RCB24C2A	P1247502C
M3 - RCB30C2A	P1247503C
M4 - RCB36C2A	P1247504C
M5 - RCB42C2A	P1247505C
M6 - RCB48C2A	P1247506C
M7 - RCB60C2A	P1247507C
M8 - RCB18C2B	P1247508C
M9 - RCB24C2B	P1247509C
M10 - RCB30C2B	P1247510C
M11 - RCB36C2B	P1247511C
M12 - RCB42C2B	P1247512C
M13 - RCB48C2B	P1256401C
M14 - RCB60C2B	P1256402C
M15 - RCB18C2C	P1247513C
M16 - RCB24C2C	P1247514C
M17 - RCB30C2C	P1247515C
M18 - RCB36C2C	P1247516C
M19 - RCB42C2C	P1247517C
M20 - RCB48C2C	P1256405C
M21 - RCB60C2C	P1256406C

THIS PAGE INTENTIONALLY LEFT BLANK

Control/Cover/Cabinet

Image 1

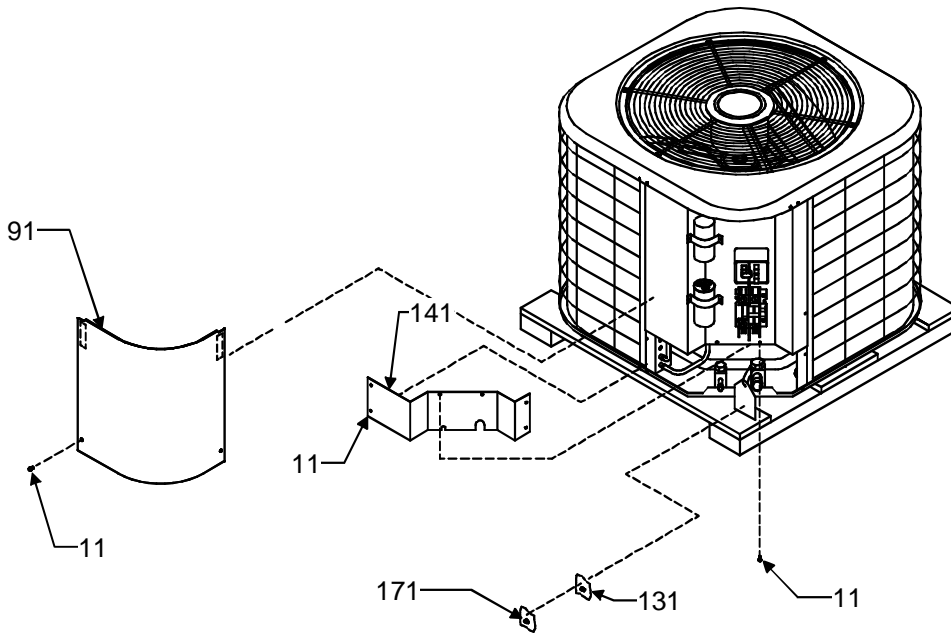
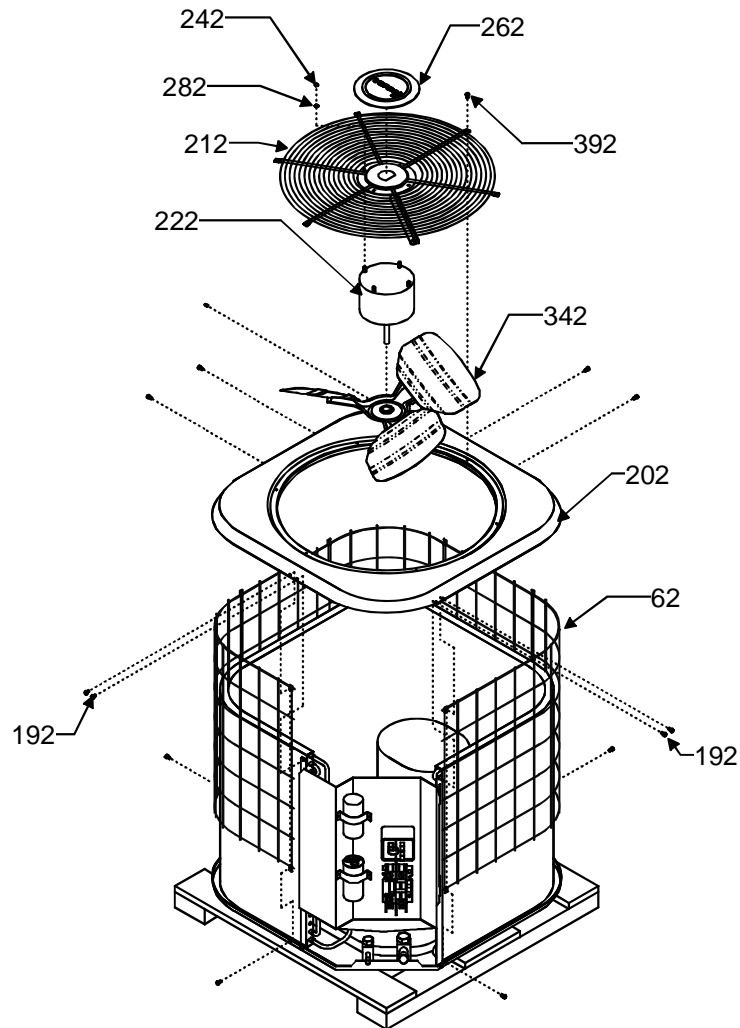


Image 2

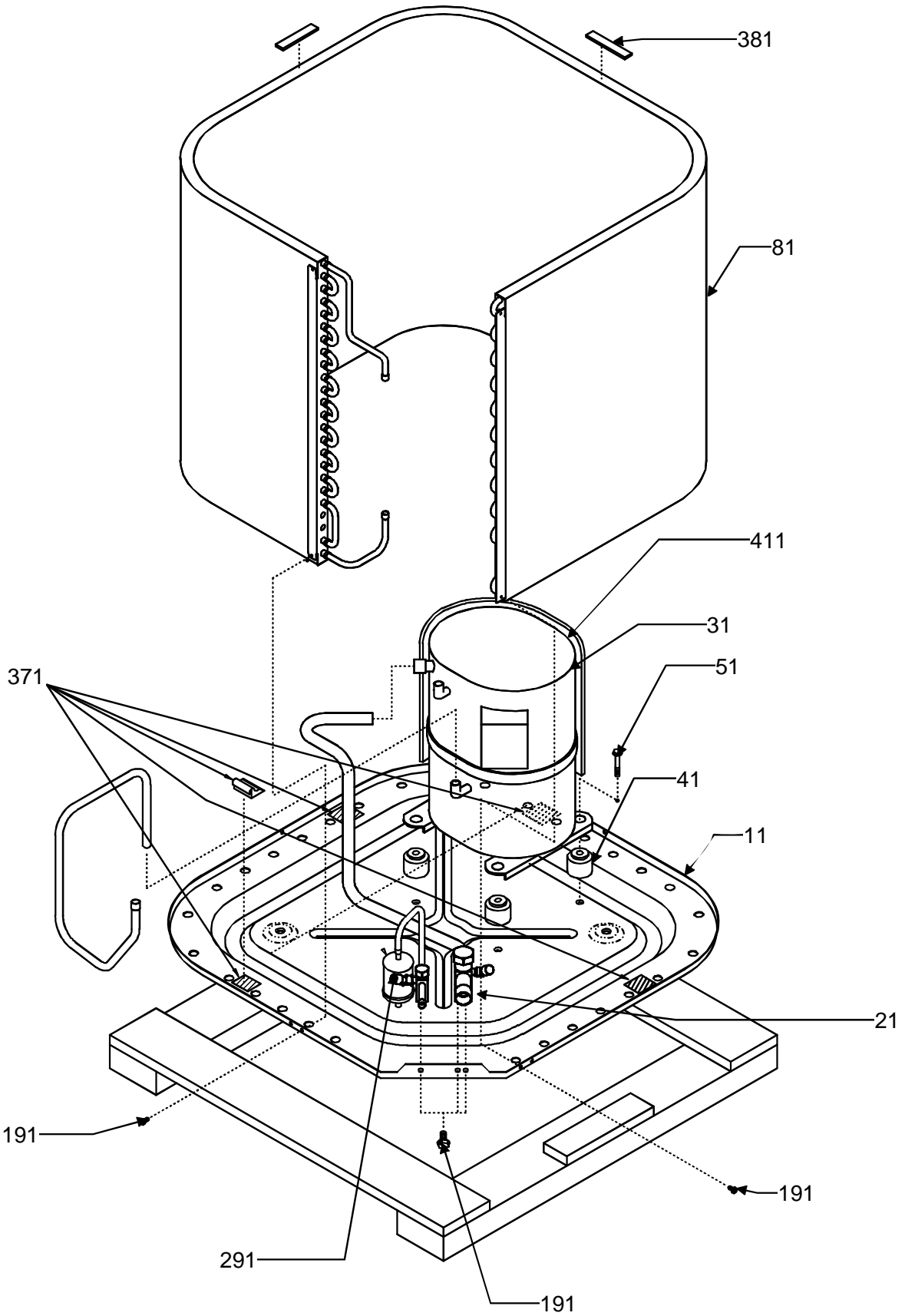


Control/Cover/Cabinet

Ref Part No:	Description:	Ref. Part No:	Description:
<i>Image 1:</i>		212 20440502	GRILLE-FAN (M4, M5, M6, M7, M13, M14)
11 M0220816	SCREW-SM (M1, M2, M3, M4, M5, M6, M7)	212 20515001	GRILLE-FAN (M15, M16, M17, M18, M19)
11 M0229303	SCREW-SM (M20, M21)	212 20515002	GRILLE-FAN (M20, M21)
91 20160411	COVER-BEND CONTROL (M15, M16, M19)	222 B13400270	MOTOR (M20, M21)
91 20160412	COVER-BEND CONTROL (M17, M18)	222 B13400252	MOTOR, 1/6HP, 230V, (M15, M16, M17, M18, M19)
91 10589926PDG	COVER-CONT PNT (M20, M21)	222 10584307	MOTOR-COND 1/2HP, 230V,825RPM (M1, M2, M8, M9, M11, M12)
91 10589920	COVER-CONTROL (M13, M14)	222 10584313	MOTOR-COND 1/4HP, 230V,830RPM (M4, M5, M6, M7, M13, M14)
91 20160405	COVER-CONTROL (M1, M2, M8, M9, M12)	222 10584308	MOTOR-COND 1/6HP, 230V,825RPM (M3, M10)
91 20160406	COVER-CONTROL (M3, M4, M5, M6, M7, M10, M11)	242 B1783803	NUT, ACORN (5/16 HEX) (M8, M9, M10, M11, M12, M13, M14)
131 B1789859	FLOW CHECK PISTON K (M16)	242 M0280801	NUT-HEX (M1, M2, M3, M4, M5, M6, M7, M15, M16, M17, M18, M19, M20, M21)
131 B1789865	FLOW CHECK PISTON K (M17)	262 20164301	DISK-LOGO CL
131 20272613	PISTON 0530 BAG ASSY (M1, M8, M15)	282 M0216517	SCREW-SM (QTY AR)
131 20272603	PISTON 0591 BAG ASSY (M2, M9)	282 M0272803	WASHER-LOCK (M1, M2, M3, M4, M5, M6, M7, M15, M16, M17, M18, M19, M20, M21)
131 20272611	PISTON 0650 BAG ASSY (M3, M10)	342 10625716	FAN-CONDENSER 3BLADE,CW,27DEG (M1, M2, M8, M9)
131 20272612	PISTON 0710 BAG ASSY (M4, M11, M18)	342 10625703	FAN-CONDENSER 3BLADE,CW,28DEG (M11, M12)
131 20272607	PISTON 0760 BAG ASSY (M5, M12, M19)	342 10625706	FAN-CONDENSER 3BLADE,CW,33DEG (M4, M5, M6, M7, M13, M14)
131 20272614	PISTON 0820 BAG ASSY (M13, M20)	342 10625717	FAN-CONDENSER 3BLADE,CW,37DEG (M3, M10)
131 20272608	PISTON 0846 BAG ASSY (M6)	342 10625730	FAN-CONDENSER BLADE 18" ALUM (M15, M16, M17, M18, M19)
131 20272609	PISTON 0925 BAG ASSY (M7, M14, M21)	342 10625733	FAN-CONDENSER BLADE 22" ALUM (M20, M21)
141 20160202	PANEL-SRVC VLV (M3)	392 M0229303	SCREW-SM (QTY 6)
141 20160209	PANEL-SRVC VLV (M1, M2, M4, M5, M8, M9, M10)	Expanded Model Nomenclature	
141 20160210	PANEL-SRVC VLV (M11)	M1 - RCB18C2A	P1247501C
141 20160211	PANEL-SRVC VLV (M6, M7, M12)	M2 - RCB24C2A	P1247502C
141 20289710	PANEL-SRVC VLV (M13, M14)	M3 - RCB30C2A	P1247503C
141 20160215PDG	PANEL-SRVC VLV PNT (M15, M16, M17)	M4 - RCB36C2A	P1247504C
141 20160216PDG	PANEL-SRVC VLV PNT (M18)	M5 - RCB42C2A	P1247505C
141 20160217PDG	PANEL-SRVC VLV PNT (M19)	M6 - RCB48C2A	P1247506C
141 20289711PDG	PANEL-VALVE PNT (M20, M21)	M7 - RCB60C2A	P1247507C
171 B1443829	RESTRICTOR 053 (M1)	M8 - RCB18C2B	P1247508C
171 B1443823	RESTRICTOR 059 (M2)	M9 - RCB24C2B	P1247509C
171 B1443821	RESTRICTOR 065 (M3)	M10 - RCB30C2B	P1247510C
171 B1443822	RESTRICTOR 071 (M4)	M11 - RCB36C2B	P1247511C
171 B1443817	RESTRICTOR 076 (M5)	M12 - RCB42C2B	P1247512C
171 B1443805	RESTRICTOR 084 (M6)	M13 - RCB48C2B	P1256401C
171 B1443810	RESTRICTOR 092 (M7)	M14 - RCB60C2B	P1256402C
NS 10597408	FILLER-CONTROL (M13, M14)	M15 - RCB18C2C	P1247513C
NS 20187902	NAME PLATE, AMANA	M16 - RCB24C2C	P1247514C
<i>Image 2:</i>		M17 - RCB30C2C	P1247515C
62 20440001	GRILLE-FORMED (M1, M2, M8, M9)	M18 - RCB36C2C	P1247516C
62 20440002	GRILLE-FORMED (M3, M11)	M19 - RCB42C2C	P1247517C
62 20440003	GRILLE-FORMED (M4, M5)	M20 - RCB48C2C	P1256405C
62 20440004	GRILLE-FORMED (M6, M7)	M21 - RCB60C2C	P1256406C
62 20440005	GRILLE-FORMED (M15, M16)		
62 20440006	GRILLE-FORMED (M18)		
62 20449305	GRILLE-FORMED (M13, M14)		
62 20449307	GRILLE-FORMED (M10)		
62 20449308	GRILLE-FORMED (M12)		
62 20449315	GRILLE-FORMED (M20, M21)		
62 20449317	GRILLE-FORMED (M17)		
62 20449318	GRILLE-FORMED (M19)		
192 M0220816	SCREW-SM (M1, M2, M3, M4, M5, M6, M7, M8, M9, M10, M11, M12, M13, M14)		
202 10576104	TOP (M13, M14)		
202 10576105	TOP (M20, M21)		
202 20160501	TOP (M1, M2, M3)		
202 20160503	TOP (M8, M9, M10, M11, M12)		
202 20161204	TOP (M4, M5, M6, M7)		
202 20160505PDG	TOP-PNT (M15, M16, M17, M18, M19)		
212 20440501	GRILLE-FAN (M1, M2, M3, M8, M9, M10, M11, M12)		

Compressor/Tubing

Image 1



Compressor/Tubing

Ref Part No:	Description:
<i>Image 1:</i>	
11 20160003	BASEPAN (M4, M5, M6, M7)
11 10258304	BASEPAN REM (M13, M14)
11 10258306	BASEPAN REM (M20, M21)
11 20159903	BASEPAN REM (M1, M2, M3, M8, M9, M10, M11, M12)
11 20159905	BASEPAN REM (M15, M16, M17, M18, M19)
31 CR16K6PFV920	COMPRESSOR, CR16KF-PFV-220*, OLD PN# 10481828 (M1, M8, M15) SERVICE COMPRESSOR MAY BE DIFFERENT THAN PRODUCTION
31 CR22K6PFV930	COMPRESSOR, CR22KF-PFV-230 (M2, M9, M16)
31 CR28K6PFV920	COMPRESSOR, CR28K6-PFV-220, OLD PN#10481823 (M3, M10, M17)
31 10481817	COMPRESSOR, CR32K6-PFV-230 (M4)
31 CR34K6PFV920	COMPRESSOR, CR34K6-PFV-220 (M11, M18)
31 CR38K6PFV920	COMPRESSOR, CR38K6-PFV-220, OLD PN# 10481824 (M5, M19)
31 CR42K6PFV920	COMPRESSOR, CR42K6-PFV-223 (M13, M20)
31 ZR40K6PFV930	COMPRESSOR, ZR40KC-PFV-230, OLD PN# 11012513 (M12)
31 ZR45K6PFV935	COMPRESSOR, ZR45KC-PFV-235, OLD PN# 11012511 (M6)
31 ZR57K6PFV950	COMPRESSOR, ZR57KC-PFV-250, OLD PN# B9266355 (M7, M14, M21)
41 10107301	GROMMET-COMP FOOT (M6, M7, M12, M14, M21)
41 B1315401	GROMMET-COMP FOOT (M1, M2, M3, M4, M5, M8, M9, M10, M11, M13, M15, M16, M17, M18, M19, M20)
51 M0221641	SCREW-SHOULDER TF (QTY 4)
81 20410005	CONDENSING ASSY (M8, M15)
81 20411003	CONDENSING ASSY (M9, M16)
81 20411405	CONDENSING ASSY (M10)
81 20411406	CONDENSING ASSY (M17)
81 20424803	CONDENSING ASSY (M12, M19)
81 20433701	CONDENSING ASSY (M1)
81 20435501	CONDENSING ASSY (M2)
81 20435901	CONDENSING ASSY (M3)
81 20435903	CONDENSING ASSY (M11)
81 20435905	CONDENSING ASSY (M18)
81 20436001	CONDENSING ASSY (M4, M5)
81 20437201	CONDENSING ASSY (M6, M7)
81 11163806	CONDENSING ASSY-PPNT (M14)
81 11163807	CONDENSING ASSY-PPNT (M13)
81 11163808	CONDENSING ASSY-PPNT (M21)
81 11163809	CONDENSING ASSY-PPNT (M20)
191 M0220816	SCREW-SM (M1, M2, M3, M4, M5, M6, M7)
291 20460201	LIQUID VALVE ASM (M1, M2, M3, M4, M5)
291 20460202	LIQUID VALVE ASM (M6, M7)
291 20414901	TUBE WELD-LVLV (M8, M9, M10, M11)
291 20414904	TUBE WELD-LVLV (M12)
291 20422701	TUBE WELD-LVLV (M13, M14)
291 20521201	TUBE WELD-LVLV (M15, M16, M17, M18)
291 20521202	TUBE WELD-LVLV (M19)
291 22303002	TUBE WELD-LVLV (M20, M21)
371 20206601	SUPPORT-COIL (M1, M2, M3, M4, M5, M6, M7, M8, M9, M10, M11, M12, M15, M16, M17, M18, M19)
371 20328901	SUPPORT-COIL (M13, M14, M20, M21)
381 10839819	GASKET-.062X.50
411 B1488806	COMPRESSOR SOUND BLANKET (M6, M7, M14, M21)
411 B1488807	COMPRESSOR SOUND BLANKET (M12)

Ref. Part No:	Description:
411 B1488815	COMPRESSOR SOUND BLANKET (M4, M5, M11, M13, M18, M19, M20)
411 B1488817	COMPRESSOR SOUND BLANKET (M1, M2, M3, M8, M9, M10, M15, M16, M17)
NS B1219212	SINGLE-FLOW FILTER-DRIER (M1, M2, M3, M4, M5, M8, M9, M10, M11, M15, M16, M17, M18)
NS B1219225	SINGLE-FLOW FILTER-DRIER (M6, M7, M12, M13, M14, M19, M20, M21)

Expanded Model Nomenclature

M1 - RCB18C2A	P1247501C
M2 - RCB24C2A	P1247502C
M3 - RCB30C2A	P1247503C
M4 - RCB36C2A	P1247504C
M5 - RCB42C2A	P1247505C
M6 - RCB48C2A	P1247506C
M7 - RCB60C2A	P1247507C
M8 - RCB18C2B	P1247508C
M9 - RCB24C2B	P1247509C
M10 - RCB30C2B	P1247510C
M11 - RCB36C2B	P1247511C
M12 - RCB42C2B	P1247512C
M13 - RCB48C2B	P1256401C
M14 - RCB60C2B	P1256402C
M15 - RCB18C2C	P1247513C
M16 - RCB24C2C	P1247514C
M17 - RCB30C2C	P1247515C
M18 - RCB36C2C	P1247516C
M19 - RCB42C2C	P1247517C
M20 - RCB48C2C	P1256405C
M21 - RCB60C2C	P1256406C

Tubing

Image 1

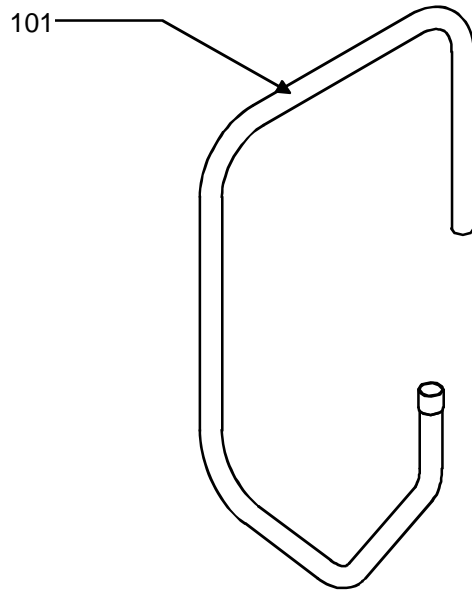
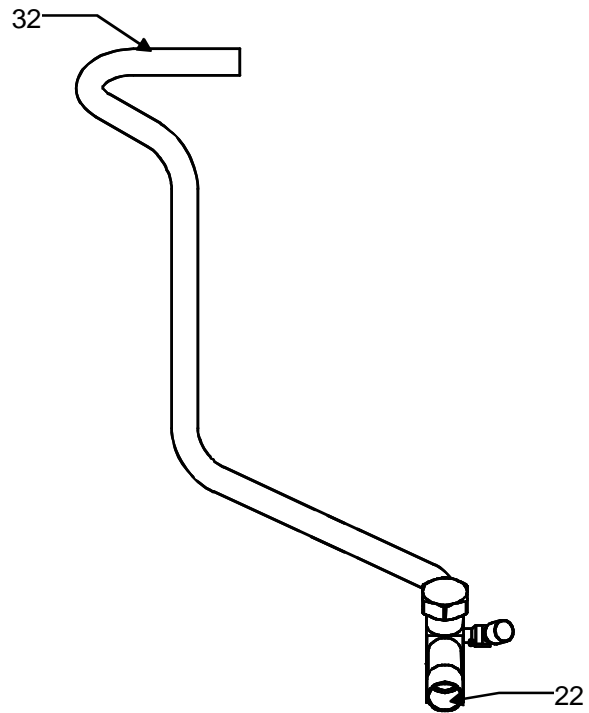


Image 2



Tubing

Ref Part

No: Description:

Image 1:

101	20206901	TUBE-DISCHARGE (M6)
101	20219402	TUBE-DISCHARGE (M3)
101	20232001	TUBE-DISCHARGE (M2)
101	20232002	TUBE-DISCHARGE (M1)
101	20443801	TUBE-DISCHARGE (M7)
101	20445301	TUBE-DISCHARGE (M4, M5)
101	20494001	TUBE-DISCHARGE (M14)
101	20504301	TUBE-DISCHARGE (M8, M15)
101	20504308	TUBE-DISCHARGE (M9, M16)
101	20504309	TUBE-DISCHARGE (M10)
101	20504310	TUBE-DISCHARGE (M11)
101	20504312	TUBE-DISCHARGE (M17)
101	20504313	TUBE-DISCHARGE (M18)
101	20504402	TUBE-DISCHARGE (M13, M20)
101	20523401	TUBE-DISCHARGE (M12)
101	20523403	TUBE-DISCHARGE (M21)
101	22311701	TUBE-DISCHARGE (M19)

Image 2:

22	20163902	VALVE-SERVICE 3/4 (M3, M4, M10, M11, M17, M18)
22	20163801	VALVE-SERVICE 3/8
22	20163901	VALVE-SERVICE 5/8 (M1, M2, M8, M9, M15, M16)
22	20163903	VALVE-SERVICE 7/8 (M5, M6, M7, M12, M13, M14, M19, M20, M21)
92	22303501	SUCT/SWT WELD (M20)
92	20423301	TUBE WELD-SUCTION (M14, M21)
92	20434301	TUBE WELD-SUCTION (M1, M2)
92	20435801	TUBE WELD-SUCTION (M3)
92	20436301	TUBE WELD-SUCTION (M4)
92	20436501	TUBE WELD-SUCTION (M5)
92	20438701	TUBE WELD-SUCTION (M6, M7)
92	20505401	TUBE WELD-SUCTION (M12)
92	20505801	TUBE WELD-SUCTION (M13)
92	20521501	TUBE WELD-SUCTION (M8, M9, M15, M16)
92	20523601	TUBE WELD-SUCTION (M10)
92	20523602	TUBE WELD-SUCTION (M11, M17, M18)
92	20523603	TUBE WELD-SUCTION (M19)

Ref. Part

No: No: Description:

Expanded Model Nomenclature

M1 - RCB18C2A	P1247501C
M2 - RCB24C2A	P1247502C
M3 - RCB30C2A	P1247503C
M4 - RCB36C2A	P1247504C
M5 - RCB42C2A	P1247505C
M6 - RCB48C2A	P1247506C
M7 - RCB60C2A	P1247507C
M8 - RCB18C2B	P1247508C
M9 - RCB24C2B	P1247509C
M10 - RCB30C2B	P1247510C
M11 - RCB36C2B	P1247511C
M12 - RCB42C2B	P1247512C
M13 - RCB48C2B	P1256401C
M14 - RCB60C2B	P1256402C
M15 - RCB18C2C	P1247513C
M16 - RCB24C2C	P1247514C
M17 - RCB30C2C	P1247515C
M18 - RCB36C2C	P1247516C
M19 - RCB42C2C	P1247517C
M20 - RCB48C2C	P1256405C
M21 - RCB60C2C	P1256406C

Control Panel

Image 1

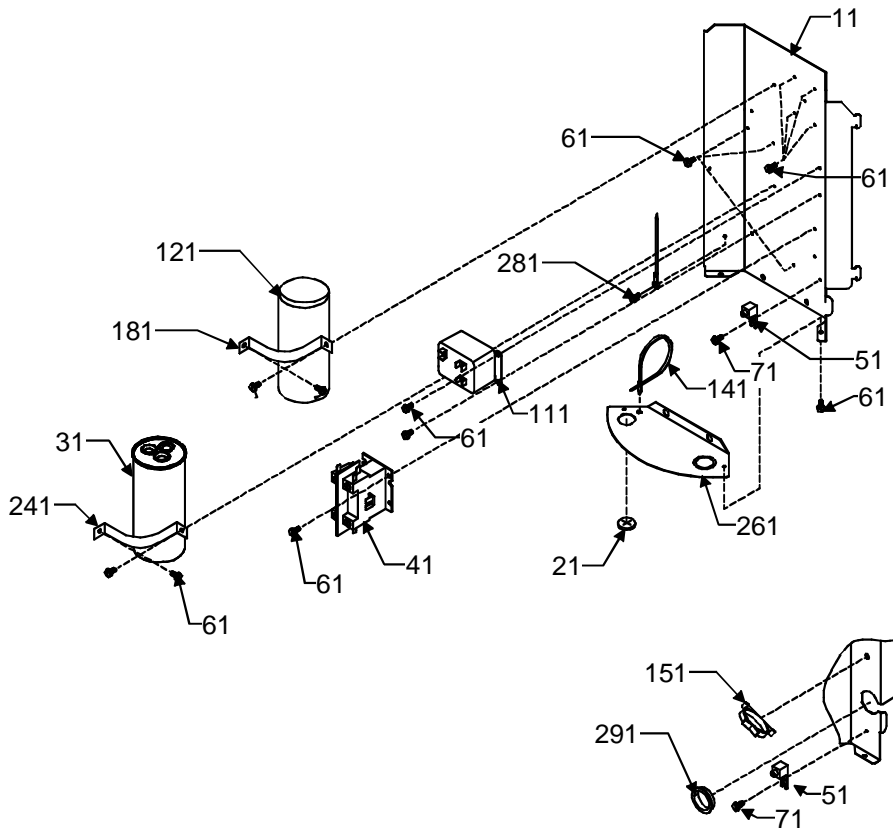
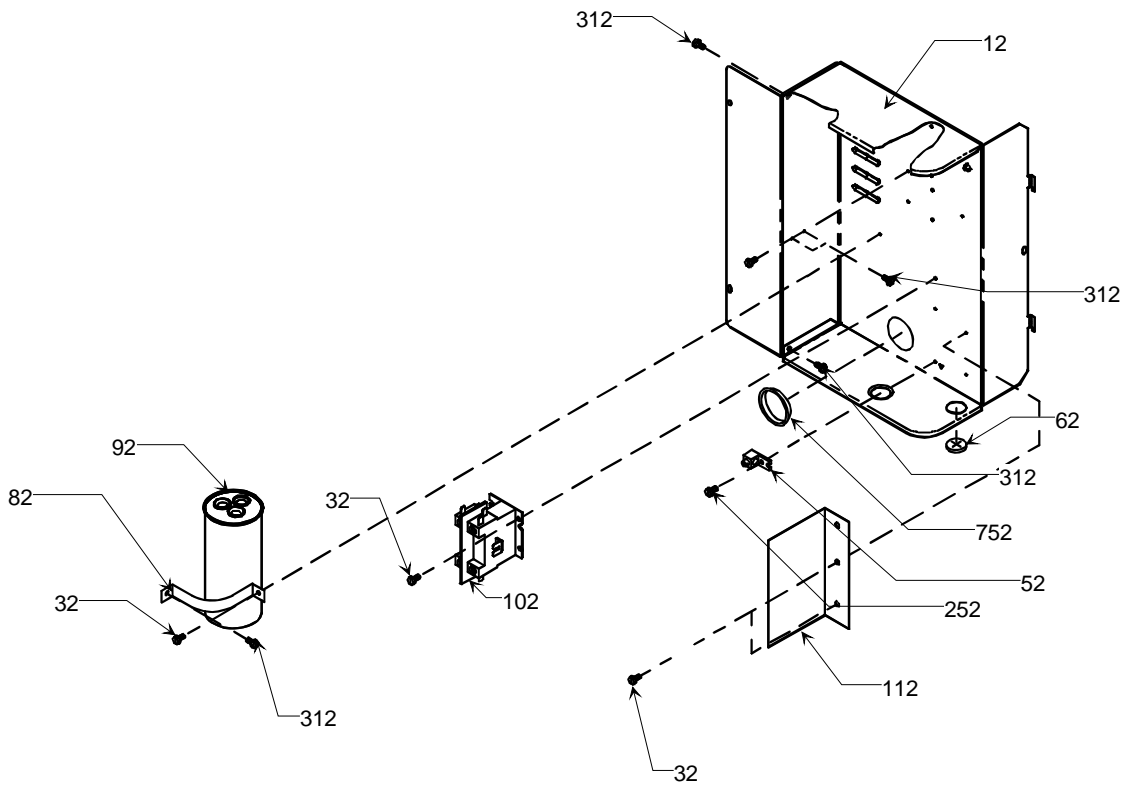


Image 2



Control Panel

Ref Part

No:	Description:
<i>Image 1:</i>	
11 20187204	CONTROL BOX 14.5 (M1, M2, M8, M9, M12)
11 20187304	CONTROL BOX 16.5 (M3, M4, M5, M6, M7, M10, M11)
11 20187205	PANEL-CONT 14.5 REM (M15, M16, M19)
11 20187305	PANEL-CONT 16.5 REM (M17, M18)
21 A4603801	GROMMET (M1, M2, M3, M4, M5, M6, M7, M8, M9, M10, M11, M12, M15, M16, M17, M18, M19, M21)
31 D6789048	CAPACITOR 25/5/370 (M1, M8, M15)
31 D6789051	CAPACITOR 30/5/370 (M2, M9, M16)
31 D6789049	CAPACITOR 35/5/370 (M3, M10, M17)
31 D6789025	CAPACITOR 35/5/440 (M4)
31 D6789024	CAPACITOR 40/5/370 (M6)
31 B94575600	CAPACITOR 40/5/440 (M20)
31 D6789028	CAPACITOR 40/5/440 (M5, M12, M13, M19)
31 D6789043	CAPACITOR 50/5/370 (M11, M18)
31 D6789046	CAPACITOR 60/5/370 (M7, M21)
41 B1360321	CONTACTOR, 25FLA,125L (M8, M9, M10, M11, M12, M15, M16, M17, M18, M19)
41 C6170004	CONTACTOR-25A (M1, M2, M3, M4, M5, M6)
51 A9015201	LUG-GROUND
61 M0216515	SCREW-SM (QTY AR)
71 M0216529	SCREW-SM
111 10142305	START-RELAY (M2, M3, M5, M9, M10, M16, M17)
111 10142307	START-RELAY (M1, M8, M15)
111 10142317	START-RELAY (M4, M11, M18)
121 B1104806	START-CAPACITOR (M1, M2, M3, M4, M8, M9, M10, M11, M15, M16, M17, M18)
121 B1104807	START-CAPACITOR (M5)
141 M0322201	TIE-ELEC
151 M0118702	CLIP-GUIDE (M1, M2, M3, M4, M5, M6, M7, M8, M9, M10, M11, M12, M15, M16, M17, M18, M19)
181 C6300508	STRAP-CAPACITOR (M1, M2, M3, M4, M5, M6, M7)
241 20520901	STRAP-CAPACITOR (M15, M16, M17, M18, M19)
241 C6300508	STRAP-CAPACITOR (M1, M2, M3, M8, M9, M10, M11)
241 C6300513	STRAP-CAPACITOR (M4, M5, M6, M7, M12)
261 20161101	BOTTOM-CNTRL PNL (M1, M2, M3, M4, M5, M6, M7, M8, M9, M10, M11, M12, M15, M16, M17, M18, M19)
281 M0216517	SCREW-SM
291 A4554807	BUSHING-SNAP
NS 20164001	GASKET-CONT PANEL (M1, M2, M3, M4, M5, M6, M7, M8, M9, M10, M11, M12, M15, M16, M17, M18, M19)

Image 2:

12 11174704	CONTROL BOX-1PC (M13, M14, M20, M21)
32 M0216517	SCREW-SM (M13, M14, M20)
52 A9015201	LUG-GROUND
62 A4603801	GROMMET (M13, M14, M20)
82 C6300508	STRAP-CAPACITOR (M13)
82 C6300512	STRAP-CAPACITOR (M14)
92 B94575600	CAPACITOR 40/5/440 (M20)
92 D6789046	CAPACITOR 60/5/370 (M14)
102 B1360321	CONTACTOR, 25FLA,125L (M13, M20)
102 C6170005	CONTACTOR-40A (M7, M14, M21)
112 11156901	BARRIER-LOW VOLT (M13, M14)
112 20521001	BARRIER-LOW VOLTAGE (M20, M21)
112 10142305	RELAY-START (M20)
122 B1104807	CAPACITOR-START (M20)
242 20520901	STRAP-CAPACITOR (M20, M21)
252 M0216529	SCREW-SM (M13, M14, M20)

Ref. Part

No:	No:	Description:
312	M0216515	SCREW-SM (QTY AR)
752	A4554807	BUSHING-SNAP

Expanded Model Nomenclature

M1 - RCB18C2A	P1247501C
M2 - RCB24C2A	P1247502C
M3 - RCB30C2A	P1247503C
M4 - RCB36C2A	P1247504C
M5 - RCB42C2A	P1247505C
M6 - RCB48C2A	P1247506C
M7 - RCB60C2A	P1247507C
M8 - RCB18C2B	P1247508C
M9 - RCB24C2B	P1247509C
M10 - RCB30C2B	P1247510C
M11 - RCB36C2B	P1247511C
M12 - RCB42C2B	P1247512C
M13 - RCB48C2B	P1256401C
M14 - RCB60C2B	P1256402C
M15 - RCB18C2C	P1247513C
M16 - RCB24C2C	P1247514C
M17 - RCB30C2C	P1247515C
M18 - RCB36C2C	P1247516C
M19 - RCB42C2C	P1247517C
M20 - RCB48C2C	P1256405C
M21 - RCB60C2C	P1256406C