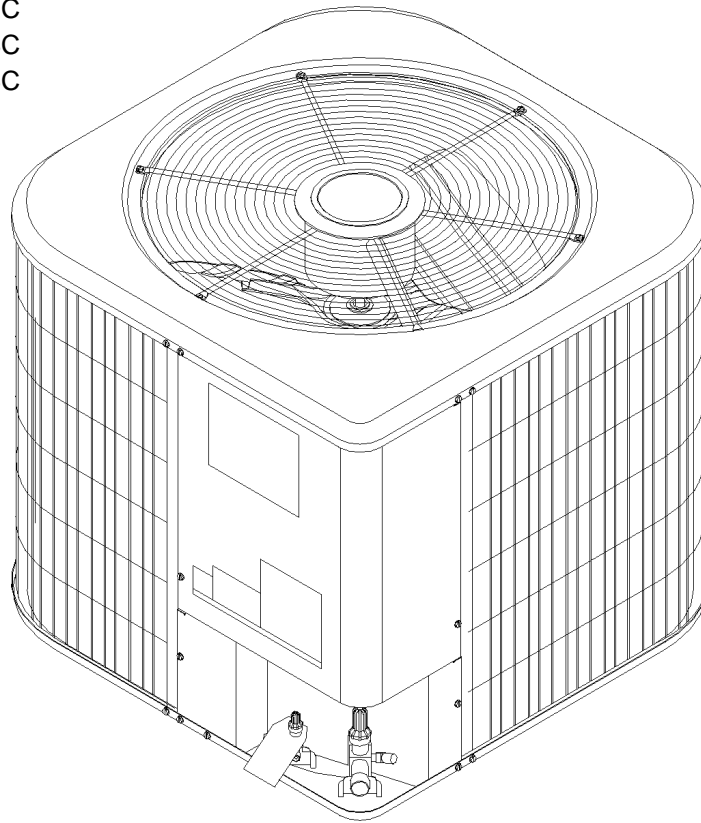


VCC*C2C Remote Condensing Units

VCC18C2C	P1246507C
VCC24C2C	P1246508C
VCC30C2C	P1246220C
VCC36C2C	P1246221C
VCC42C2C	P1246222C
VCC48C2C	P1246223C
VCC60C2C	P1246226C



Important Information

Index

Functional Parts List	3
Illustration and Parts	4 - 13

Views shown are for parts illustrations only, not servicing procedures

Revision 2: Changed fan blade callout on VCC30C2C 10625731 to B1086750.

Text Codes:

AR - As Required

NA - Not Available

NS - Not Shown

00000000 - See Note

QTY - Quantity Example (QTY 3) (If Quantity not shown, Quantity = 1)

M - Model Example (M1) (If M Code not shown, then part is used on all Models)

Expanded Model Nomenclature:

Example

M1 - Model#1

M2 - Model#2

M3 - Model#3

Goodman Company, L.P. is not responsible for personal injury or property damage resulting from improper service. Review all service information before beginning repairs.

Warranty service must be performed by an authorized technician, using authorized factory parts. If service is required after the warranty expires, Goodman Company, L.P. also recommends contacting an authorized technician and using authorized factory parts.

Goodman Company, L.P. reserves the right to discontinue, or change at any time, specifications or designs without notice or without incurring obligations. Amana® brand products are proudly made in the USA.

For assistance within the U.S.A. contact:

Consumer Affairs Department

Goodman Company, L.P.

7401 Security Way

Houston, Texas 77040

877-254-4729-Telephone

713-863-2382-Facsimile

For assistance outside the U.S.A. contact:

International Division

Goodman Company, L.P.

7401 Security Way

Houston, Texas 77040

713-861-2500-Telephone

713-863-2382-Facsimile

Functional Parts

Part No: **Description:**

10625732 BLADE-FAN 18" GALV (M1, M2)
 B1086750 BLADE-FAN 22" DIA. (M3)
 10625731 BLADE-FAN 22" GALV (M4, M5, M6, M7)
 D6789051 CAPACITOR 30/5/370 (M2)
 B94575300 CAPACITOR 35/5/370 (M3)
 B94577400 CAPACITOR 50/5/370 (M5)
 B94577500 CAPACITOR 60/5/370 (M6)
 B94577600 CAPACITOR 80/5/370 (M7)
 D6789049 CAPACITOR-POLY 35/5/370 (M1)
 D6789049 CAPACITOR-POLY 35/5/370 (M4)
 CR16K7PFV930 COMPRESSOR CR16K7-PFV-230 (M1)
 CR20K6PFV920 COMPRESSOR CR20K6-PFV-220 (M2)
 CR24K6PFV920 COMPRESSOR CR24K6-PFV-220 (M3)
 ZR36K3PFV930 COMPRESSOR ZR36K3-PFV-230 (M5)
 OLD PN#11012505
 ZR42K3PFV930 COMPRESSOR ZR42K3-PFV-230 (M6)
 OLD PN#B9266352
 ZR54KAPFV930 COMPRESSOR ZR54KA-PFV-230 (M7)
 OLD PN#B9266349
 CR30K6PFV920 COMPRESSOR, CR30K6PFV-220 (M4)
 OLD PN#B9266373
 20424803 CONDENSING ASSY (M2)
 20422003 CONDENSING ASSY (M3)
 20426103 CONDENSING ASSY (M1)
 11163808 CONDENSING ASSY PPNT (M5, M6)
 20448103 CONDENSING ASSY -PPNT (M7)
 20426404 CONDENSING ASSY -PPNT (M4)
 B1789882 FLOW CHECK PISTON K (M6)
 B1789872 FLOW CHECK PISTON K (M4)
 B1789898 FLOW CHECK PISTON K (M7)
 B1789865 FLOW CHECK PISTON K (M3)
 B1789861 FLOW CHECK PISTON K (M2)
 B1789853 FLOW CHECK PISTON K (M1)
 B1789878 FLOW CHECK PISTON K (M5)
 20048210 HARNESS-COMP (M7)
 10651507 HARNESS-COMP (M1, M2)
 20462505 HARNESS-COMP (M3, M4)
 10686509 HARNESS-COMP (M5, M6)
 B13400247 MOTOR, 1/4 HP, 230V (M4, M5, M6)
 B13400251 MOTOR, 1/6HP, 230V, (M3)
 B13400252 MOTOR, 1/6HP, 230V, (M1, M2)
 B13400247 MOTOR-COND, 1/4HP, 230V (M7)

SPECIAL PARTS

20490505S CERT-WARRANTY AMANA
 B260S8293 EXECUTIVE GRAY TOUCH UP PAINT
 10652423S MANUAL-INSTAL
 10659202S MANUAL-OWNERS
 RP6112009 REPAIR PARTS MANUAL (QTY AR)
 RT6112006 TECHNICAL INFORMATION MANUAL (QTY AR)

Expanded Model Nomenclature

M1 - VCC18C2C	P1246507C
M2 - VCC24C2C	P1246508C
M3 - VCC30C2C	P1246220C
M4 - VCC36C2C	P1246221C
M5 - VCC42C2C	P1246222C
M6 - VCC48C2C	P1246223C
M7 - VCC60C2C	P1246226C

Control/Cover/Cabinet

Image 1

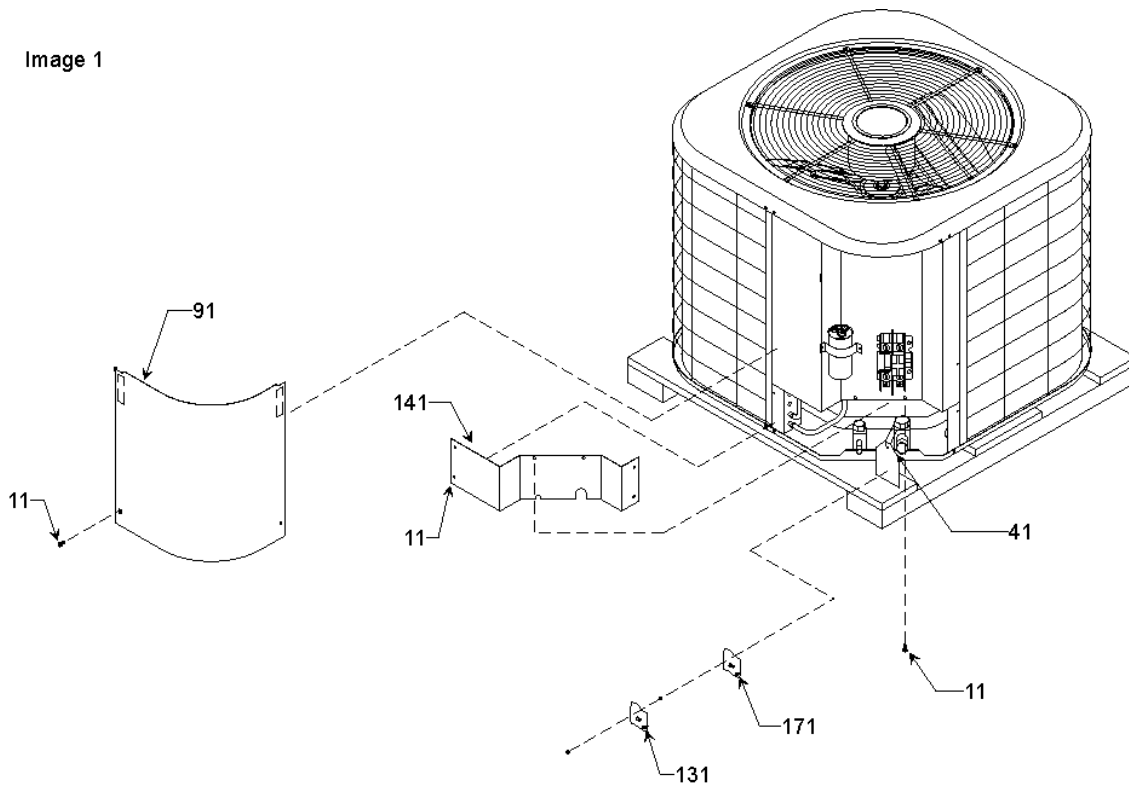
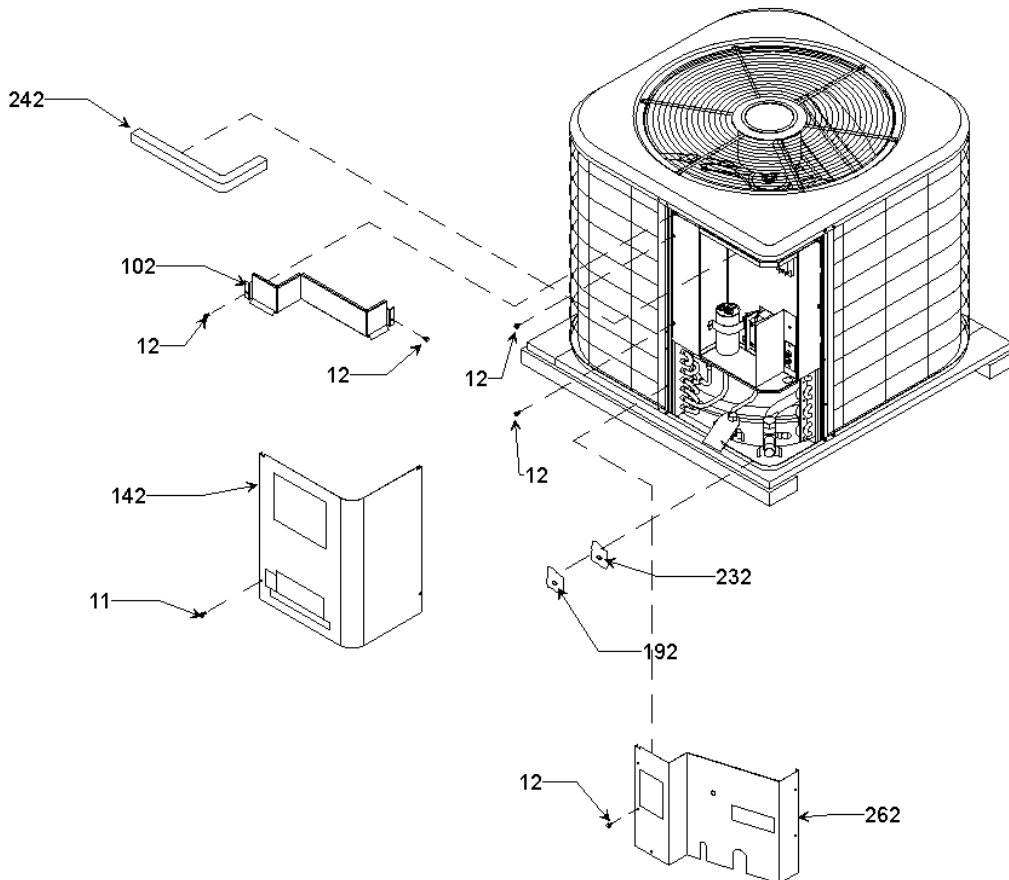


Image 2



Control/Cover/Cabinet

Ref. Part No:	No:	Description:	Ref. Part No:	No:	Description:
---------------	-----	--------------	---------------	-----	--------------

Image 1:

11	M0229303	SCREW-SM (QTY AR)
91	20160411BND	COVER-BEND CONTROL (M2)
91	20160412BND	COVER-BEND CONTROL (M1)
131	B1789853	FLOW CHECK PISTON K (M1)
131	B1789861	FLOW CHECK PISTON K (M2)
141	20160215PDG	PANEL-SRVC VLV PNT (M1)
141	20160217PDG	PANEL-SRVC VLV PNT (M2)
151	10839819	GASKET-.062X.50 (M1, M2)

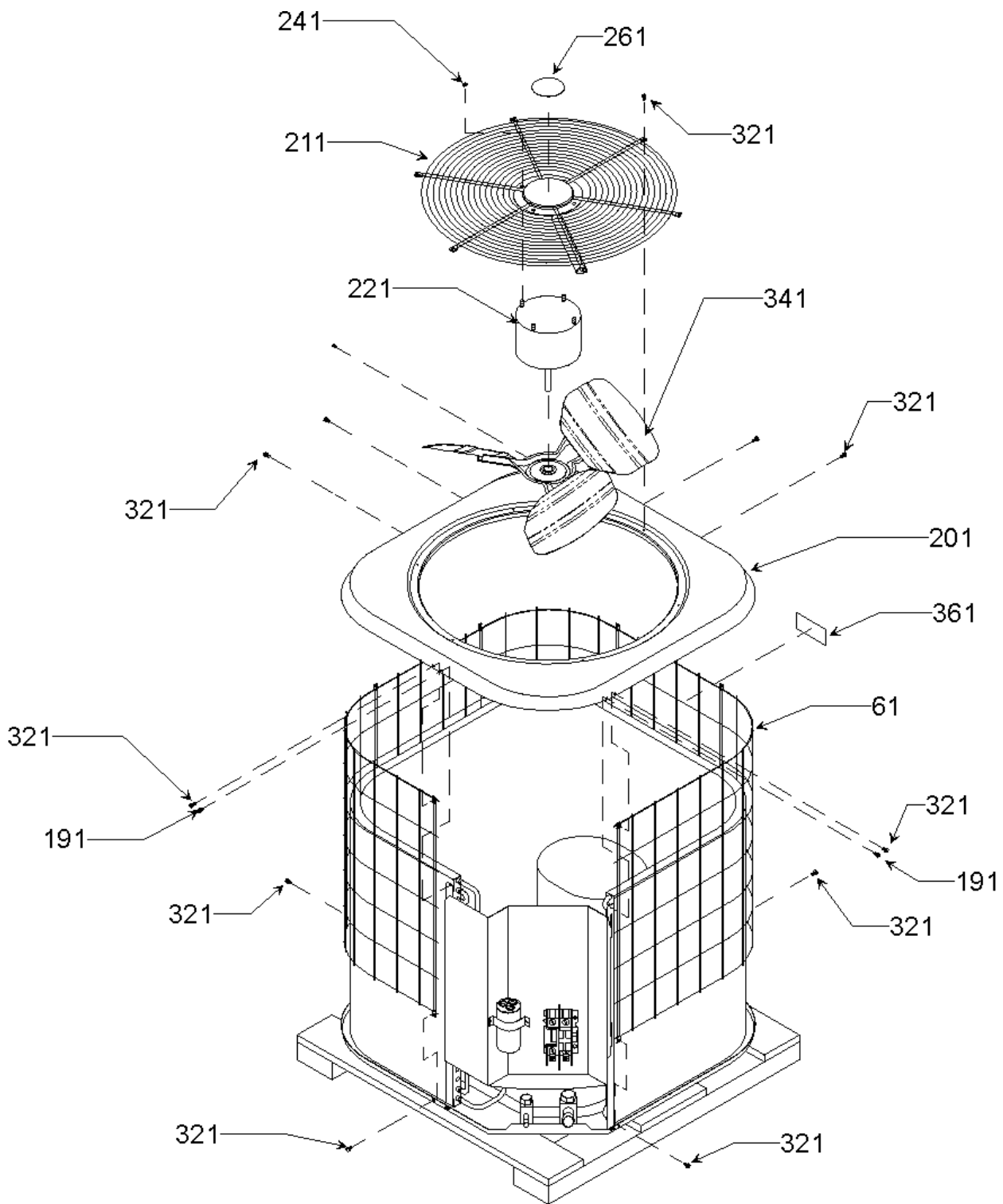
Image 2:

102	10597408	FILLER-CONTROL (M4, M5, M6)
102	10597409	FILLER-CONTROL (M7)
112	10839810	GASKET-.18X.38 (M4, M5, M6, M7)
142	10589926PDG	COVER-CONT PNT (M3, M4, M5, M6)
142	10589928PDG	COVER-CONT PNT (M7)
192	B1789865	FLOW CHECK PISTON K (M3)
192	B1789872	FLOW CHECK PISTON K (M4)
192	B1789878	FLOW CHECK PISTON K (M5)
192	B1789882	FLOW CHECK PISTON K (M6)
192	B1789898	FLOW CHECK PISTON K (M7)
242	11182804	GASKET-.5X.625X18 (M3)
262	20280008PDG	PANEL-VALVE PNT (M3)
262	20289711PDG	PANEL-VALVE PNT (M4, M5, M6, M7)

Expanded Model Nomenclature

M1 - VCC18C2C	P1246507C
M2 - VCC24C2C	P1246508C
M3 - VCC30C2C	P1246220C
M4 - VCC36C2C	P1246221C
M5 - VCC42C2C	P1246222C
M6 - VCC48C2C	P1246223C
M7 - VCC60C2C	P1246226C

Control/Cover/Cabinet



Control/Cover/Cabinet

Ref. Part No: No:	Description:	Ref. Part No: No:	Description:
-------------------	--------------	-------------------	--------------

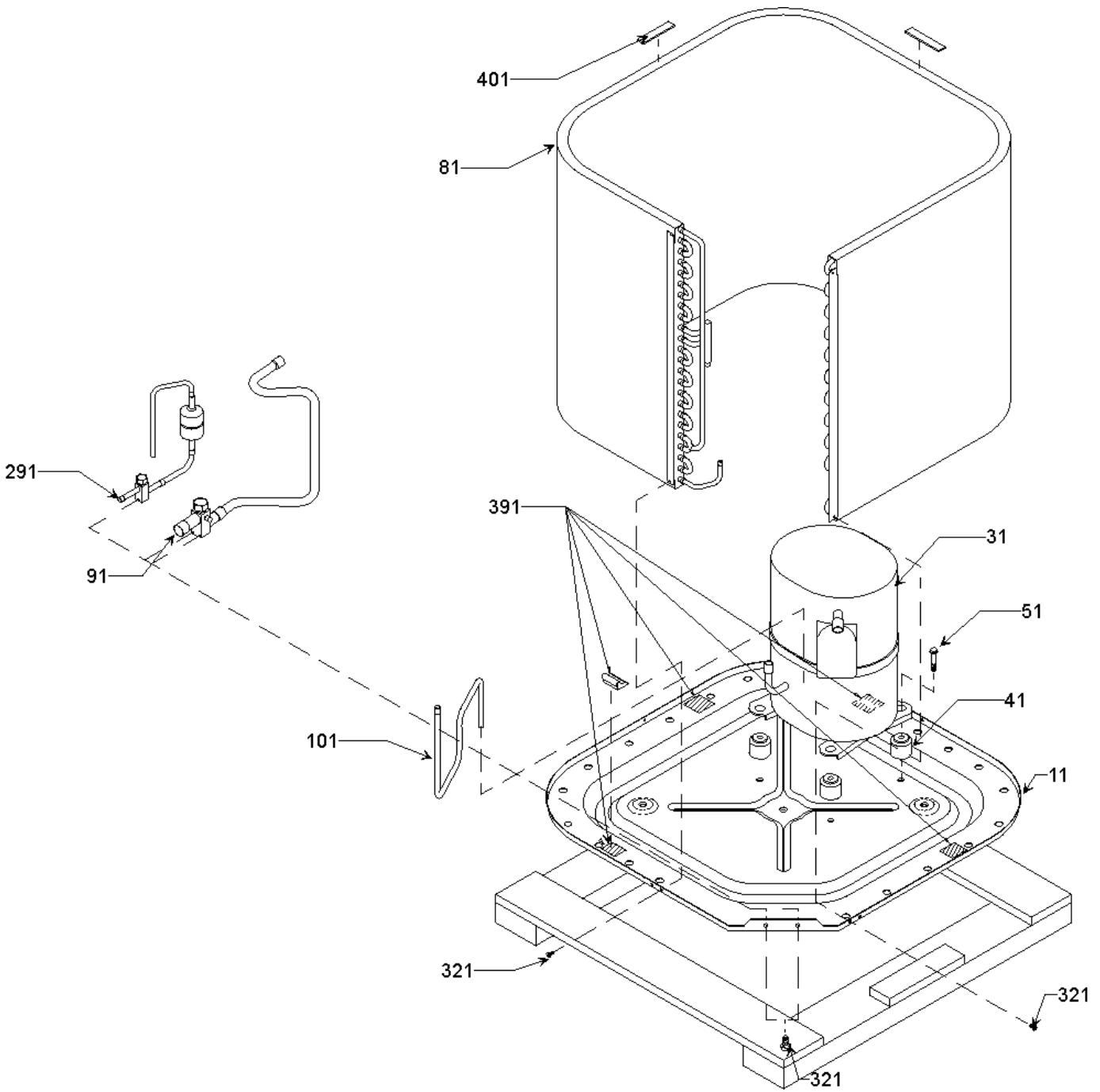
Image 1:

61	20030537	GRILLE-FORMED (M4, M5, M6)
61	20030539	GRILLE-FORMED (M3)
61	20030541	GRILLE-FORMED (M7)
61	20182539	GRILLE-FORMED (M1)
61	20182540	GRILLE-FORMED (M2)
201	10576105PDG	COVER-TOP PNT (M3, M4, M5, M6, M7)
201	20160505PDG	TOP-PNT (M1, M2)
211	20515001	GRILLE-FAN (M1, M2)
211	20515002	GRILLE-FAN (M3, M4, M5, M6, M7)
221	B13400247	MOTOR, 1/4 HP, 230V (M4, M5, M6)
221	B13400251	MOTOR, 1/6HP, 230V, (M3)
221	B13400252	MOTOR, 1/6HP, 230V, (M1, M2)
221	B13400247	MOTOR-COND, 1/4HP, 230V (M7)
241	B1783803	NUT, ACORN 5/16 HEX (QTY 4)
261	20353301	NAMEPLATE-DISC AMANA
321	M0229303	SCREW-SM (QTY AR)
341	10625732	BLADE-FAN 18" GALV (M1, M2)
341	B1086750	BLADE-FAN 22" DIA. (M3)
341	10625731	BLADE-FAN 22" GALV (M4, M5, M6, M7)
361	20515501	NAMEPLATE ASSY-AMANA
431	20515602	CLIP-CONDUIT (M1, M2)

Expanded Model Nomenclature

M1 - VCC18C2C	P1246507C
M2 - VCC24C2C	P1246508C
M3 - VCC30C2C	P1246220C
M4 - VCC36C2C	P1246221C
M5 - VCC42C2C	P1246222C
M6 - VCC48C2C	P1246223C
M7 - VCC60C2C	P1246226C

Compressor/Tubing



Compressor/Tubing

**Ref. Part
No: No:**

Description:

**Ref. Part
No: No:**

Description:

Image 1:

11	10258306PDG	BASEPAN-PNT (M3, M4, M5, M6, M7)
11	20159905PDG	BASEPAN-PNT (M1, M2)
31	CR16K7PFV930	COMPRESSOR CR16K7-PFV-230 (M1)
31	CR20K6PFV920	COMPRESSOR CR20K6-PFV-220 (M2)
31	CR24K6PFV920	COMPRESSOR CR24K6-PFV-220 (M3)
31	ZR36K3PFV930	COMPRESSOR ZR36K3-PFV-230 (M5) OLD PN#11012505
31	ZR42K3PFV930	COMPRESSOR ZR42K3-PFV-230 (M6) OLD PN#B9266352
31	ZR54KAPFV130	COMPRESSOR ZR54KA-PFV-230 (M7) OLD PN#B9266349
31	CR30K6PFV920	COMPRESSOR-COPELAND (M4) OLD PN#B9266373
41	10107301	GROMMET-COMP FOOT (M5, M6, M7)
41	B1315401	GROMMET-COMP FOOT (M1, M2, M3, M4)
81	20422003	CONDENSING ASSY (M3)
81	20424803	CONDENSING ASSY (M2)
81	20426103	CONDENSING ASSY (M1)
81	11163808	CONDENSING ASSY PPNT (M5, M6)
81	20426404	CONDENSING ASSY -PPNT (M4)
81	20448103	CONDENSING ASSY -PPNT (M7)
91	22303101	SUCT VLV WELD (M3)
91	20446702	SUCT/SWT WELD (M5)
91	20447102	SUCT/SWT WELD (M6)
91	22303102	SUCT/SWT WELD (M4)
91	22311303	SUCT/SWT WELD (M7)
91	20521501	TUBE WELD-SUCT (M1, M2)
111	20504403	TUBE-DISCH (M4)
111	20513301	TUBE-DISCH (M5)
111	20513302	TUBE-DISCH (M6)
111	20519501	TUBE-DISCH (M3)
111	22302801	TUBE-DISCH (M2)
111	22302901	TUBE-DISCH (M1)
111	22311402	TUBE-DISCH (M7)
291	20521203	TUBE WELD-LVLV (M1, M2)
291	22303001	TUBE WELD-LVLV (M3, M4)
291	22303002	TUBE WELD-LVLV (M5, M6, M7)
391	20206601	SUPPORT-COIL (M1, M2)
391	20328901	SUPPORT-COIL (M3, M4, M5, M6, M7)
401	10839819	GASKET-.062X.50 (M3, M4, M5, M6, M7)
401	10839819	GASKET-.062X.50 (M1, M2)

Expanded Model Nomenclature

M1 - VCC18C2C	P1246507C
M2 - VCC24C2C	P1246508C
M3 - VCC30C2C	P1246220C
M4 - VCC36C2C	P1246221C
M5 - VCC42C2C	P1246222C
M6 - VCC48C2C	P1246223C
M7 - VCC60C2C	P1246226C

Tubing

Image 1

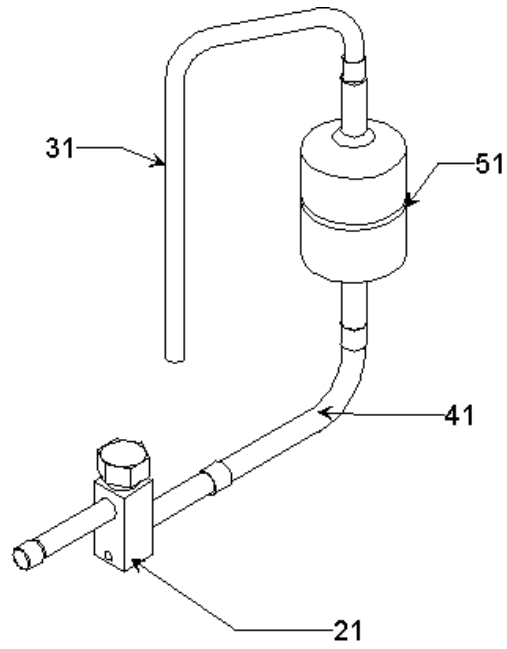
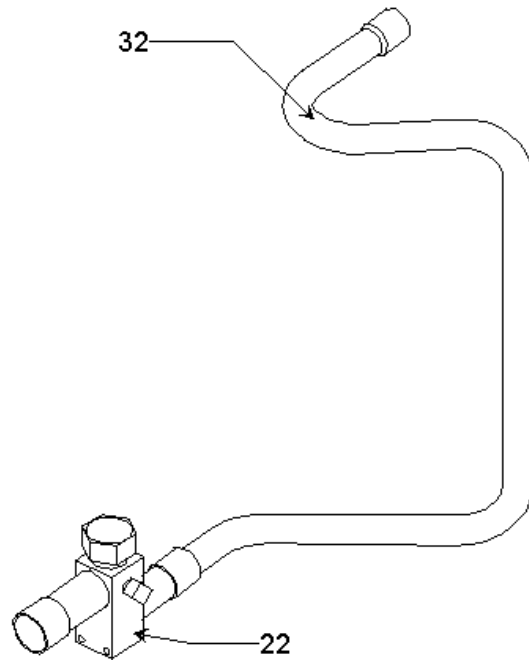


Image 2



Tubing

Ref. Part No: No:	Description:	Ref. Part No: No:	Description:
-------------------	--------------	-------------------	--------------

Image 1:

21	20163801	VALVE-SERVICE
31	20521602	TUBE-FILTER DRIER (M1, M2)
31	20521604	TUBE-FILTER DRIER (M3, M4, M5, M6, M7)
41	20415003	TUBE-FILTER/VLV (M1, M2)
41	20422901	TUBE-FILTER/VLV (M3, M4, M5, M6, M7)
51	B1219212	SINGLE-FLOW FILTER (M1, M2, M3, M4)
51	B1219225	SINGLE-FLOW FILTER (M5, M6, M7)

Image 2:

22	22311203	TUBE-SUCTION (M7)
22	20163902	VALVE-SERVICE 3/4 (M3)
22	20163901	VALVE-SERVICE 5/8 (M1, M2)
22	20163903	VALVE-SERVICE 7/8 (M4, M5, M6, M7)
32	20446802	TUBE-SUCTION (M5)
32	20447202	TUBE-SUCTION (M6)
32	20521401	TUBE-SUCTION (M1, M2)
32	22302701	TUBE-SUCTION (M3)
32	22302702	TUBE-SUCTION (M4)
32	22311201	TUBE-SUCTION (M7)

Expanded Model Nomenclature

M1 - VCC18C2C	P1246507C
M2 - VCC24C2C	P1246508C
M3 - VCC30C2C	P1246220C
M4 - VCC36C2C	P1246221C
M5 - VCC42C2C	P1246222C
M6 - VCC48C2C	P1246223C
M7 - VCC60C2C	P1246226C

Control Panel

Image 1

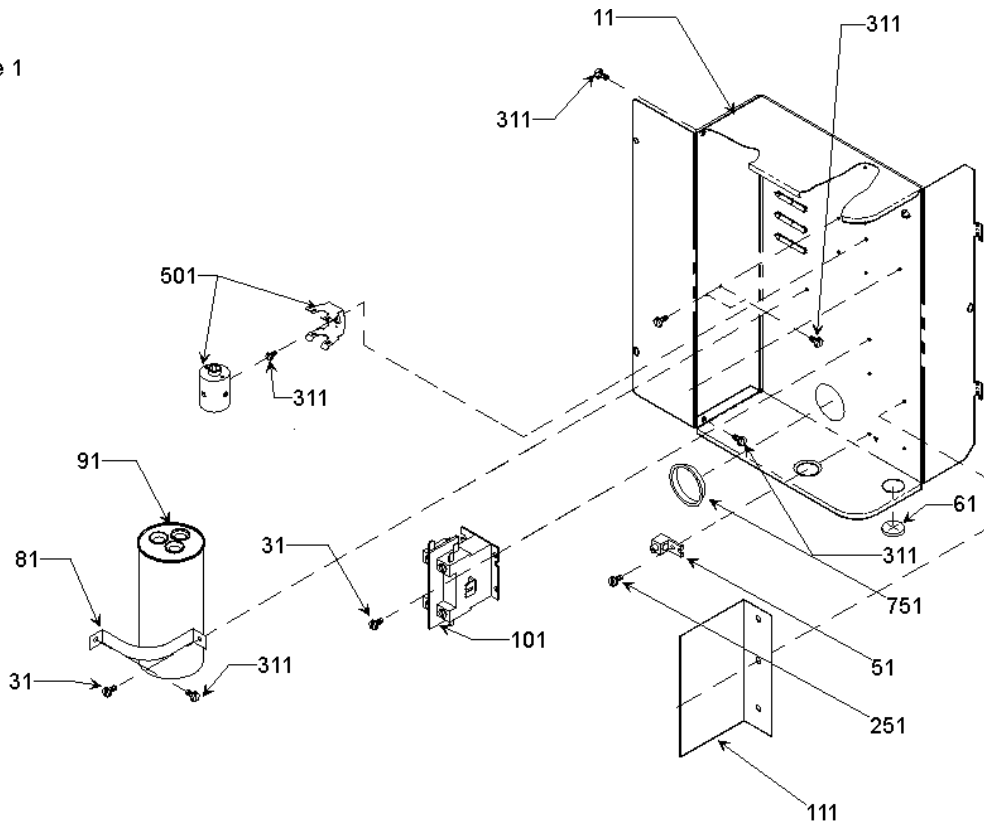
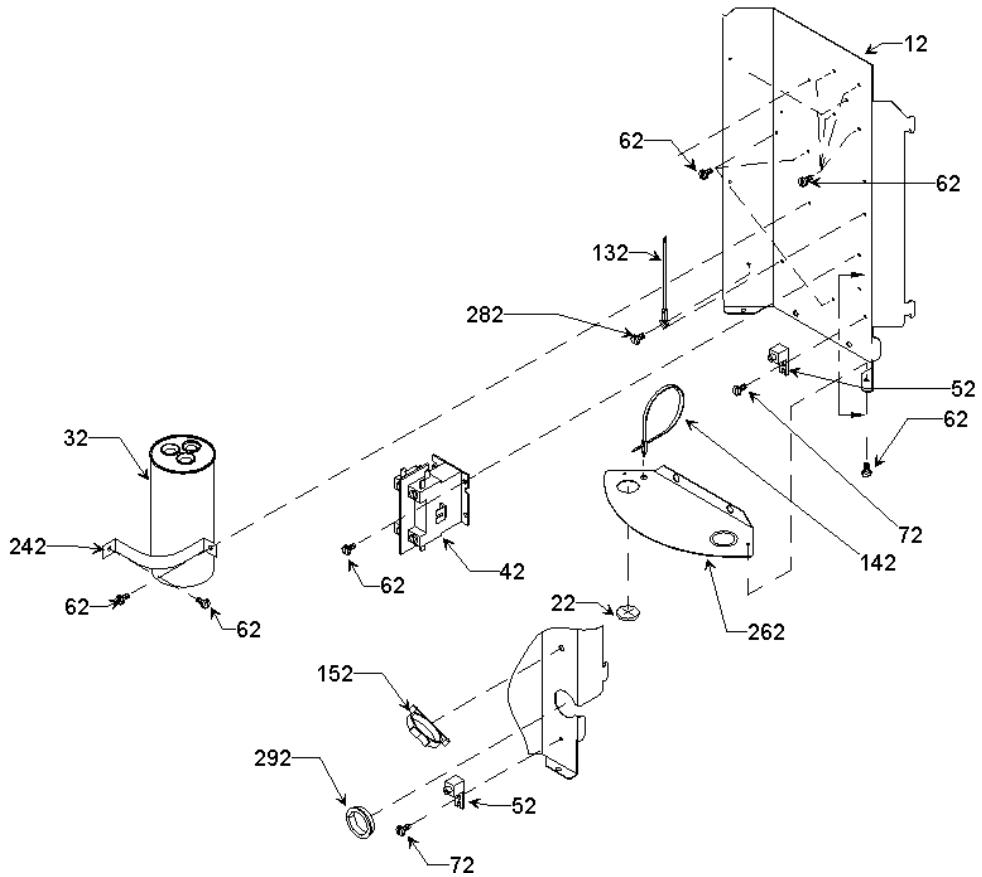


Image 2



Control Panel

Ref. Part No:	Ref. Part No:	Description:	Description:
---------------	---------------	--------------	--------------

Image 1:

11	11174704	CONTROL BOX-1PC (M3, M4, M5, M6, M7)
31	M0216517	SCREW-SM (M3, M4, M5, M6, M7)
51	A9015201	LUG-GROUND (M3, M4, M5, M6, M7)
61	A4603801	GROMMET (M3, M4, M5, M6, M7)
81	20520901	STRAP-CAPACITOR (M3, M4, M5, M6, M7)
91	B94575300	CAPACITOR 35/5/370 (M3)
91	B94577400	CAPACITOR 50/5/370 (M5)
91	B94577500	CAPACITOR 60/5/370 (M6)
91	B94577600	CAPACITOR 80/5/370 (M7)
91	D6789049	CAPACITOR-POLY 35/5/370 (M4)
101	B1360321	CONTACTOR, 25FLA,125 (M3, M4, M5)
101	C6170002	CONTACTOR-30A (M7)
101	C6170005	CONTACTOR-40A (M6)
111	20521001	BARRIER-LOW VOLTAGE (M3, M4, M5, M6, M7)
191	M0216521	SCREW-SM (M3, M4, M5, M6, M7)
251	M0216529	SCREW-SM (M3, M4, M5, M6, M7)
291	M0275507	SEALER-PLASTIC (M3, M4, M5, M6, M7)
311	M0216515	SCREW-SM (M3, M4, M5, M6, M7)
751	A4554807	BUSHING-SNAP (M3, M4, M5, M6, M7)

Image 2:

12	20187205	PANEL-CONT 14.5 (M2)
12	20187305	PANEL-CONT 16.5 (M1)
22	A4603801	GROMMET (M1, M2)
32	D6789051	CAPACITOR 30/5/370 (M2)
32	D6789049	CAPACITOR-POLY 35/5/370 (M1)
42	B1360321	CONTACTOR, 25FLA,125 (M1, M2)
52	A9015201	LUG-GROUND (M1, M2)
62	M0216515	SCREW-SM (M1, M2)
72	M0216529	SCREW-SM (M1, M2)
132	M0322204	TIE-ELEC (M1, M2)
142	M0322201	TIE-ELEC (M1, M2)
152	M0118702	CLIP-GUIDE (M1, M2)
242	20520901	STRAP-CAPACITOR (M1, M2)
262	20161101	BOTTOM-CNTRL PNL (M1, M2)
282	M0216517	SCREW-SM (M1, M2)
292	A4554807	BUSHING-SNAP (M1, M2)

Expanded Model Nomenclature

M1 - VCC18C2C	P1246507C
M2 - VCC24C2C	P1246508C
M3 - VCC30C2C	P1246220C
M4 - VCC36C2C	P1246221C
M5 - VCC42C2C	P1246222C
M6 - VCC48C2C	P1246223C
M7 - VCC60C2C	P1246226C