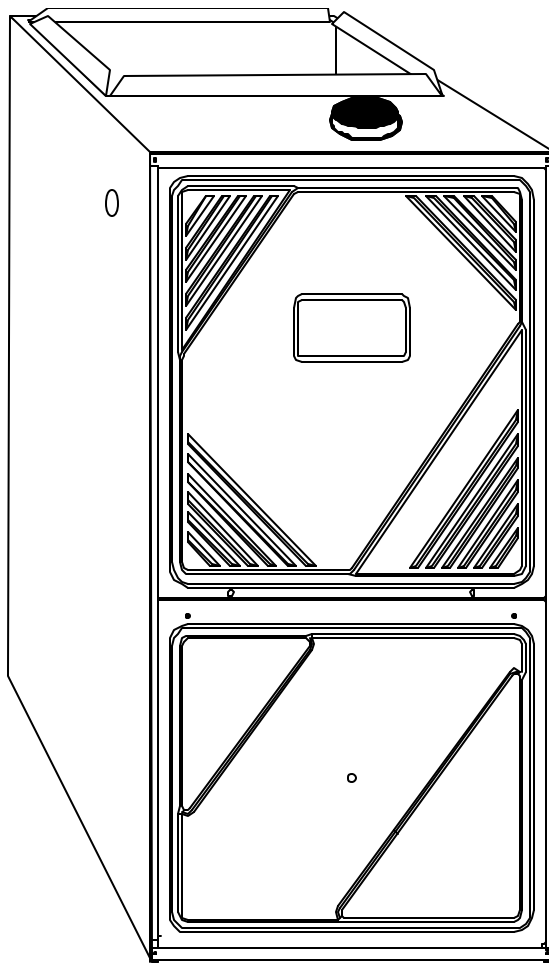


Models and manufacturing
numbers in this manual

GUID045GA30	P1245901F
GUID070GA30	P1245902F
GUID070GA40	P1245903F
GUID090GA30	P1245904F
GUID090GA50	P1245905F
GUID115GA50	P1245907F

Service Parts

GUID*GA 80% Gas Furnace Units



This manual is to be used by qualified
appliance technicians only.



Amana is a trademark of Maytag Worldwide N.V. and used under license to Goodman Company, L.P. All rights reserved.

RP6621002
Revision 0
November 2002

Important Information

Amana is not responsible for personal injury or property damage resulting from improper service. Review all service information before beginning repairs.

Warranty service must be performed by an authorized technician, using authorized factory parts. If service is required after the warranty expires, Amana also recommends contacting an authorized technician and using authorized factory parts.

For assistance within the U.S.A. contact:

Consumer Affairs Department
Goodman Company, L.P.
7401 Security Way
Houston, Texas 77040
877-254-4729-Telephone
713-863-2382-Facsimile

For assistance outside the U.S.A. contact:

International Division
Goodman Company, L.P.
7401 Security Way
Houston, Texas 77040
713-861-2500-Telephone
713-863-2382-Facsimile

Index

Functional Parts List 4 - 5

Illustration and Parts 6 - 15

Views shown are for parts illustrations only, not servicing procedure

Text Codes:

- AR - As Required
- NA - Not Available
- NS - Not Shown
- 00000000 - See Note
- QTY - Quantity Example (QTY 3) (If Quantity not shown, Quantity = 1)
- M - Model Example (M1) (If M Code not shown, then part is used on all Models)

Expanded Model and Color Nomenclature:

Example	
M1 - Model#1	P _____
M2 - Model#2	P _____
M3 - Model#3	P _____

Functional Parts

Part

No: Description:

20273401	BASEPAN-UPFLOW (M1, M2, M3)
20273404	BASEPAN-UPFLOW (M4, M5)
20273405	BASEPAN-UPFLOW (M6)
10735102	BECKETT BURNER (QTY AR)
20044402	BLOWER ID
D6879740	CAPACITOR (M5, M6)
D6879752	CAPACITOR (M1, M2, M4)
D6879756	CAPACITOR (M3)
10207718	CONTROL-INTEG
10735201	FLAME-SENSOR
20200905	HARNESS-WIRING (BLOWER)
20302201	HARNESS-WIRING (MAIN)
20165703	IGNITOR
10728339	LIMIT PRIMARY (M2, M3, M6)
10728330	LIMIT-PRIMARY (M1, M4, M5)
10123519	LIMIT-RESET MAN (AUXILIARY)
10123527	LIMIT-RESET MAN (ROLLOUT) (M6)
10123528	LIMIT-RESET MAN (ROLLOUT) (M1)
10123538	LIMIT-RESET MAN (ROLLOUT) (M2, M3, M4, M5)
20046615	MOTOR-BLOW 1/2 HP (M3)
20046614	MOTOR-BLOW 1/3 HP (M1, M2, M4)
20046617	MOTOR-BLOW 3/4 HP (M5)
20046620	MOTOR-BLOW 3/4 HP (M6)
10716003	ORIFICE (QTY AR)
10690402	SWITCH-INTERLOCK
10727921	SWITCH-PRESSURE (M1)
10727923	SWITCH-PRESSURE (M2, M3, M4, M5, M6)
C6349703	TRANSFORMER
C6476911	VALVE-GAS
D6723310	WHEEL-BLOWER (M1, M2, M3)
D6723303	WHEEL-BLOWER (M4, M5)
D6723306	WHEEL-BLOWER (M6)

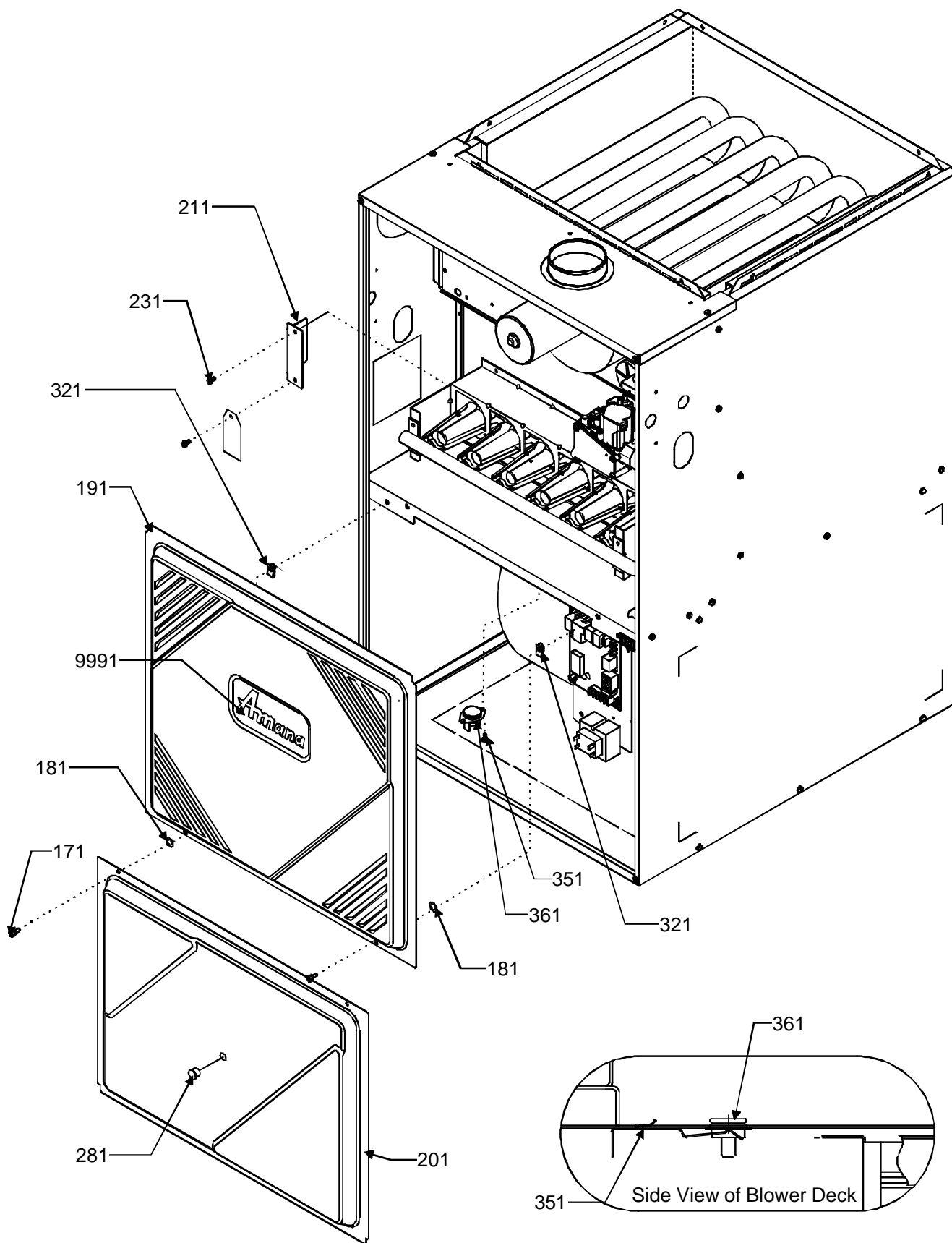
SPECIAL PARTS

10758012S	CERT-WARRANTY
10759831	INSTRUCT-INSTALL
10759624	MANUAL-USERS
RP6621002	PART MANUAL
RS6600001	SERVICE MANUAL
11110632	SPEC SHEET
RT6621008	TECHNICAL MANUAL

Expanded Model and Color Nomenclature

M1 - GUID045GA30	P1245901F
M2 - GUID070GA30	P1245902F
M3 - GUID070GA40	P1245903F
M4 - GUID090GA30	P1245904F
M5 - GUID090GA50	P1245905F
M6 - GUID115GA50	P1245907F

Front Panels



Front Panels

Ref Part No:	Description:	Ref. Part No:	Description:
--------------	--------------	---------------	--------------

Image 1:

11	10758518	PANEL-BNR (M2, M3)
171	M0204317	SCREW-MACH (QTY 4)
181	M0273904	RETAINER-SCREW (QTY 4)
191	20177408	DOOR-ACCESS (M1, M2, M3)
191	20177409	DOOR-ACCESS (M4, M5)
191	20177410	DOOR-ACCESS (M6)
201	20177304	DOOR-BLWR (M1, M2, M3)
201	20177305	DOOR-BLWR (M4, M5)
201	20177306	DOOR-BLWR (M6)
211	10736201	COVER-HV BOX
231	M0253516	SCREW-TR (QTY 6)
281	11104001	SNAP-BUSHING CLR
321	91000301	NUT-U SPEED (QTY 4)
351	10861101	BRKT-AUX LIMIT
361	10123519	LIMIT-RESET MAN (AUXILIARY)
9991	20275303	NAMEPLATE-AMANA

Expanded Model and Color Nomenclature

M1 - GUID045GA30	P1245901F
M2 - GUID070GA30	P1245902F
M3 - GUID070GA40	P1245903F
M4 - GUID090GA30	P1245904F
M5 - GUID090GA50	P1245905F
M6 - GUID115GA50	P1245907F

Partition Tube/Collector Box/Manifold

Image 1

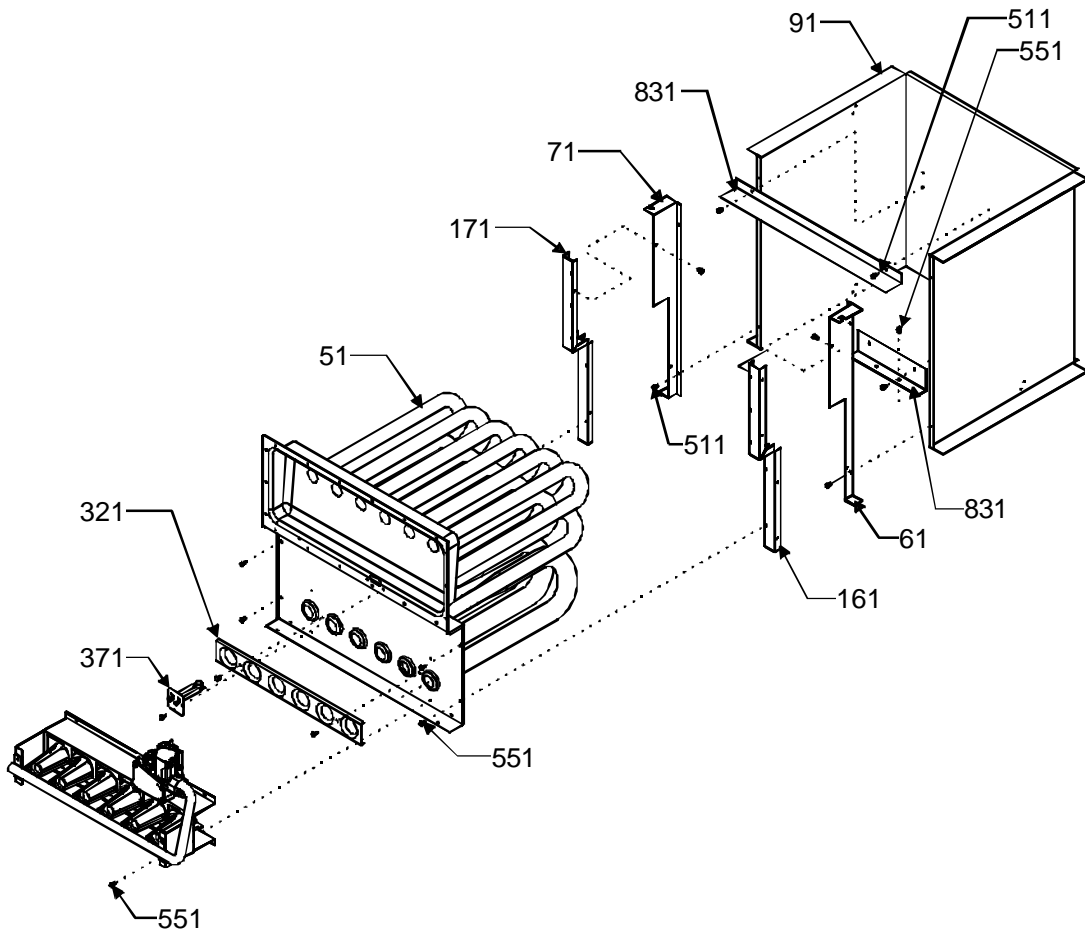
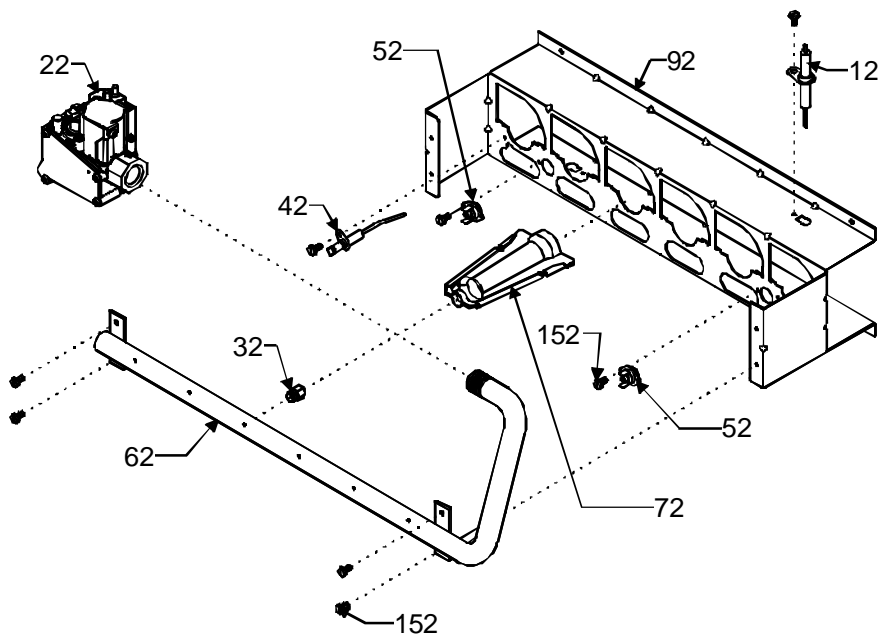


Image 2



Partition Tube/Collector Box/Manifold

Ref Part No:	Description:	Ref. Part No:	Description:
--------------	--------------	---------------	--------------

Image 1:

51	11113124	PART/TUBE ASSY 2B (M1)
51	11113125	PART/TUBE ASSY 3B (M2, M3)
51	11113126	PART/TUBE ASSY 4B (M4, M5)
51	11113127	PART/TUBE ASSY 5B (M6)
61	10728601	BRACKET-LINER
71	10728602	BRACKET-LINER
91	10728707	LINER-CABINET (M1)
91	10728708	LINER-CABINET (M2, M3)
91	10728709	LINER-CABINET (M4, M5)
91	10728710	LINER-CABINET (M6)
161	10728503	RAIL-PART PNL
171	10728504	RAIL-PART PNL
321	11072201	SHIELD-ORIFICE (M1)
321	11072202	SHIELD-ORIFICE (M2, M3)
321	11072203	SHIELD-ORIFICE (M4, M5)
321	11072204	SHIELD-ORIFICE (M6)
371	10728339	LIMIT PRIMARY (M2, M3, M6)
371	10728330	LIMIT-PRIMARY (M1, M4, M5)
511	M0224303	SCREW-SM (QTY AR)
551	M0219916	SCREW-SM (QTY AR)
831	11008302	BAFFLE-LINER (M2, M3)
831	11008303	BAFFLE-LINER (M4, M5)
831	11008304	BAFFLE-LINER (M6)
831	11008306	BAFFLE-LINER (M1)

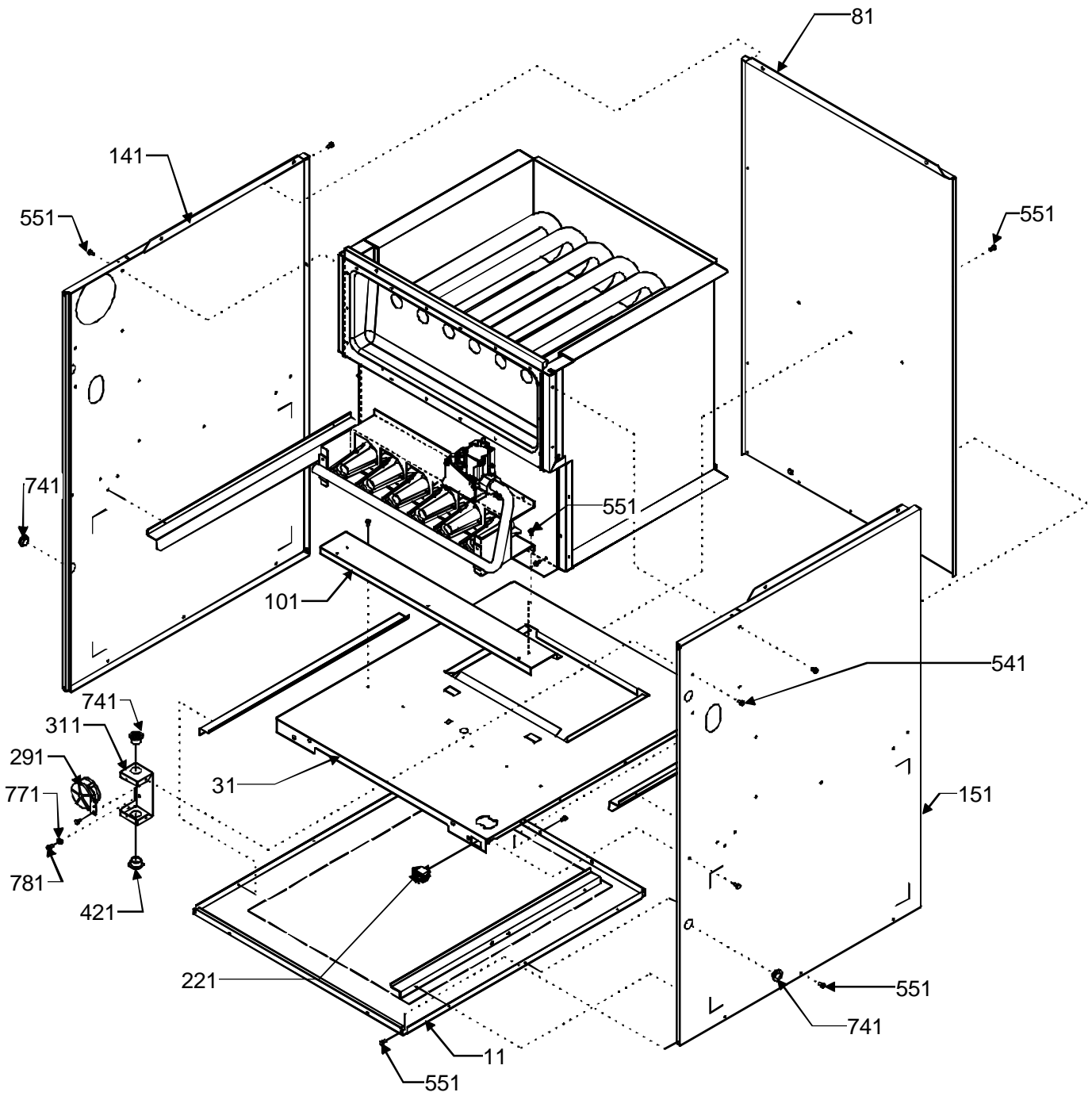
Image 2:

12	20165703	IGNITOR
22	C6476911	VALVE-GAS
32	10716003	ORIFICE (QTY AR)
42	10735201	FLAME-SENSOR
52	10123527	LIMIT-RESET MAN (ROLLOUT) (M6)
52	10123528	LIMIT-RESET MAN (ROLLOUT) (M1)
52	10123538	LIMIT-RESET MAN (ROLLOUT) (M2, M3, M4, M5)
62	20301801	MANIFOLD 2B (M1)
62	20301802	MANIFOLD 3B (M2, M3)
62	20301803	MANIFOLD 4B (M4, M5)
62	20301804	MANIFOLD 5B (M6)
72	10735102	BECKETT BURNER (QTY AR)
92	20190405	BRKT-BURNER 2B (M1)
92	20190407	BRKT-BURNER 3B (M2, M3)
92	20190408	BRKT-BURNER 4B (M4, M5)
92	20190409	BRKT-BURNER 5B (M6)
152	M0219916	SCREW-SM (QTY 7)

Expanded Model and Color Nomenclature

M1 - GUID045GA30	P1245901F
M2 - GUID070GA30	P1245902F
M3 - GUID070GA40	P1245903F
M4 - GUID090GA30	P1245904F
M5 - GUID090GA50	P1245905F
M6 - GUID115GA50	P1245907F

Outer Cabinet



Outer Cabinet

Ref Part No:	Description:	Ref. Part No: No:	Description:
-----------------	--------------	----------------------	--------------

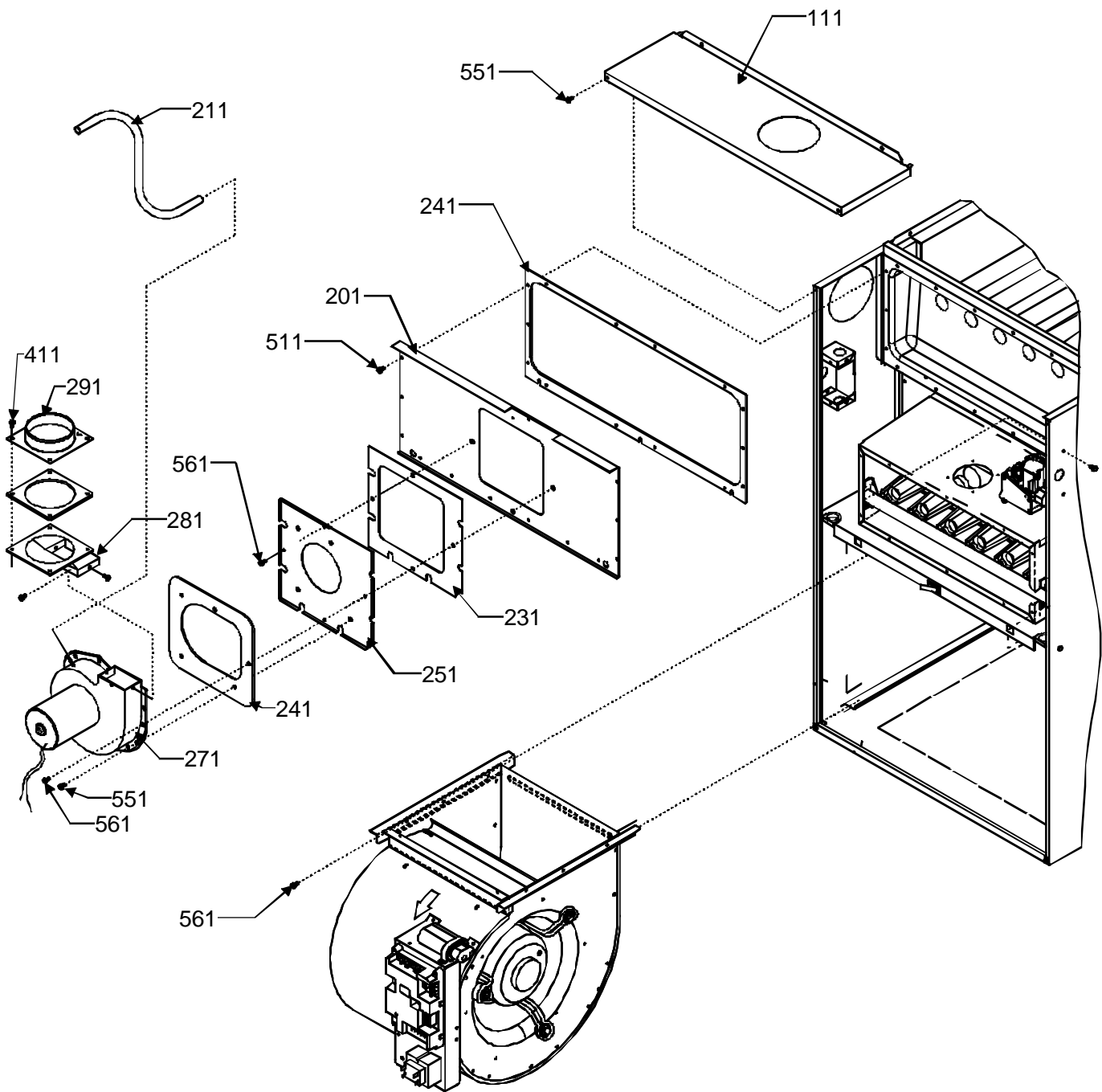
Image 1:

11	20273401	BASEPAN-UPFLOW (M1, M2, M3)
11	20273404	BASEPAN-UPFLOW (M4, M5)
11	20273405	BASEPAN-UPFLOW (M6)
31	20190219	DECK-BLWR (M1, M2, M3)
31	20190220	DECK-BLWR (M4, M5)
31	20190221	DECK-BLWR (M6)
81	20273201	PANEL-BACK (M1, M2, M3)
81	20273202	PANEL-BACK (M4, M5)
101	20301901	SUPPORT-PART PNL (M1, M2, M3)
101	20301902	SUPPORT-PART PNL (M4, M5)
101	20301903	SUPPORT-PART PNL (M6)
141	10727020	PANEL-SIDE RH
151	10727120	PANEL-SIDE L
221	10690402	SWITCH-INTERLOCK
291	10727921	SWITCH-PRESSURE (M1)
291	10727923	SWITCH-PRESSURE (M2, M3, M4, M5, M6)
311	10736102	BOX-HIGH VOLT
421	A4554801	BUSHING-SNAP
541	M0216716	SCREW-SM (QTY 2)
551	M0219916	SCREW-SM (QTY AR)
741	M0571002	BUSHING-SNAP (QTY 3)
771	M0270001	WASHER-CUP
781	M0227803	SCREW-TC

Expanded Model and Color Nomenclature

M1 - GUID045GA30	P1245901F
M2 - GUID070GA30	P1245902F
M3 - GUID070GA40	P1245903F
M4 - GUID090GA30	P1245904F
M5 - GUID090GA50	P1245905F
M6 - GUID115GA50	P1245907F

Vent Systems/Controls



Vent Systems/Controls

Ref Part No:	Description:	Ref. Part No: No:	Description:
-----------------	--------------	----------------------	--------------

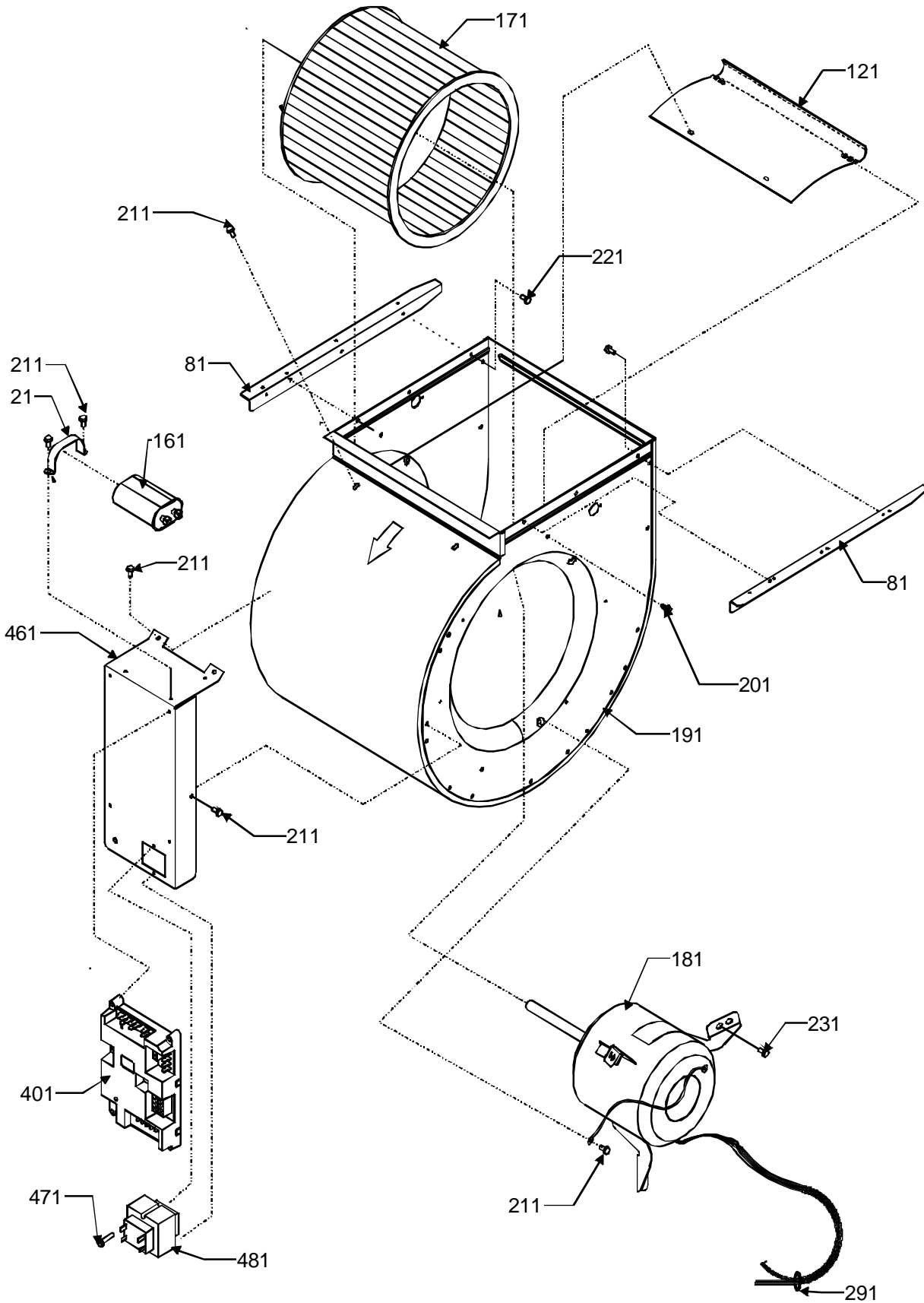
Image 1:

111	20273307	COVER-FLUE (M1, M2, M3)
111	20273308	COVER-FLUE (M4, M5)
111	20273309	COVER-FLUE (M6)
201	10764404	PLATE-PTN (M1, M2, M3)
201	10764405	PLATE-PTN (M4, M5)
201	10764406	PLATE-PTN (M6)
211	B1410302	HOSE-PRESSURE SW (M6)
211	B1410309	HOSE-PRESSURE SW (M1, M2, M3)
211	B1410312	HOSE-PRESSURE SW (M4, M5)
231	10764601	GASKET-ROTATE PLT
241	11142201	GASKET-COLL/ID (M1, M2, M3)
241	11142202	GASKET-COLL/ID (M4, M5)
241	11142203	GASKET-COLL/ID (M6)
251	10764301	PLATE-RTATNG (M1)
251	10764311	PLATE-RTATNG (M2, M3)
251	10764312	PLATE-RTATNG (M6)
251	10764314	PLATE-RTATNG (M4, M5)
271	20044402	BLOWER ID
281	11072302	TRAN-ID BLOW
291	11009701	TOP-TRAN PLATE
411	M0253516	SCREW-TR (QTY 4)
511	M0224303	SCREW-SM (QTY AR)
551	M0219916	SCREW-SM (QTY AR)
561	M0219918	SCREW-SM #8-5/8 (QTY AR)

Expanded Model and Color Nomenclature

M1 - GUID045GA30	P1245901F
M2 - GUID070GA30	P1245902F
M3 - GUID070GA40	P1245903F
M4 - GUID090GA30	P1245904F
M5 - GUID090GA50	P1245905F
M6 - GUID115GA50	P1245907F

Blower



Blower

Ref Part No:	Description:	Ref. Part No:	Description:
<i>Image 1:</i>			
21	A4055402		STRAP-CAPACITOR (M1, M2, M3, M4)
21	A4055402		STRAP-CAPACITOR (M1, M2)
81	20175101		RAIL-BLWR SIDE (QTY 2)
121	C6121803		CUTOFF (M1, M2, M3)
121	C6121806		CUTOFF (M4, M5)
121	C6121807		CUTOFF (M6)
161	D6879740		CAPACITOR (M5, M6)
161	D6879752		CAPACITOR (M1, M2, M4)
161	D6879756		CAPACITOR (M3)
171	D6723303		WHEEL-BLOWER (M4, M5)
171	D6723306		WHEEL-BLOWER (M6)
171	D6723310		WHEEL-BLOWER (M1, M2, M3)
181	20046615		MOTOR-BLOW 1/2 HP (M3)
181	20046614		MOTOR-BLOW 1/3 HP (M1, M2, M4)
181	20046617		MOTOR-BLOW 3/4 HP (M5)
181	20046620		MOTOR-BLOW 3/4 HP (M6)
191	11185813		HSG WELD-BLWR (M1, M2, M3)
191	11185814		HSG WELD-BLWR (M4, M5)
191	11185815		HSG WELD-BLWR (M6)
201	M0211020		SCREW-SM #8-7/8 (QTY 4)
211	M0219916		SCREW-SM (QTY 8)
231	M0216529		SCREW-SM (QTY 4)
231	M0250558		SCREW-TC (QTY 3)
291	M0321202		TIE-ELEC LG
401	10207718		CONTROL-INTEG
461	10746205		BRACKET-CONT
471	M0216536		SCREW-SM (QTY 2)
481	C6349703		TRANSFORMER

Expanded Model and Color Nomenclature

M1 - GUID045GA30	P1245901F
M2 - GUID070GA30	P1245902F
M3 - GUID070GA40	P1245903F
M4 - GUID090GA30	P1245904F
M5 - GUID090GA50	P1245905F
M6 - GUID115GA50	P1245907F