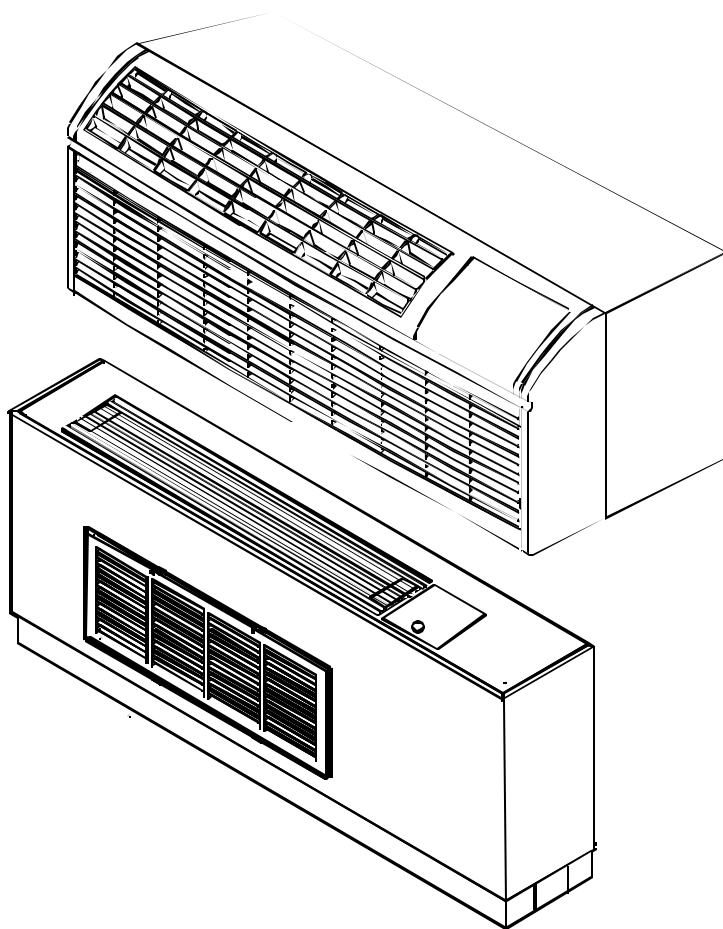


Service Parts

PTC*D Package Terminal Air Conditioner Units

This manual is to be used by qualified appliance technicians only.



Models and manufacturing numbers in this manual

PTC153A00AD	P1242306R
PTC153A00CD	P1225288R
PTC153A00FD	P1225450R
PTC153A00GD	P1225451R
PTC153A00HD	P1225449R
PTC153A00ND	P1225452R
PTC153A15AD	P1242307R
PTC153A25AD	P1242308R
PTC153A25CD	P1225289R
PTC153A35AD	P1242309R
PTC153A35CD	P1225290R
PTC153A50AD	P1242310R
PTC153A50CD	P1225291R
PTC154A00AD	P1242301R
PTC154A00CD	P1225295R
PTC154A00FD	P1225447R
PTC154A00GD	P1225448R
PTC154A00HD	P1225446R
PTC154A15AD	P1242302R
PTC154A25AD	P1242303R
PTC154A35AD	P1242304R
PTC154A35CD	P1225296R
PTC154A50AD	P1242305R



Amana is a trademark of Maytag Worldwide N.V. and used under license to Goodman Company, L.P. All rights reserved.

RP4210029
Revision 1
July 2003

Copyright © 2003 Goodman Company, L.P.

Important Information

Goodman Company, L.P. is not responsible for personal injury or property damage resulting from improper service. Review all service information before beginning repairs.

Warranty service must be performed by an authorized technician, using authorized factory parts. If service is required after the warranty expires, Goodman Company, L.P. also recommends contacting an authorized technician and using authorized factory parts.

For assistance within the U.S.A. contact:

Consumer Affairs Department
Goodman Company, L.P.
7401 Security Way
Houston, Texas 77040
877-254-4729-Telephone
713-863-2382-Facsimile

For assistance outside the U.S.A. contact:

International Division
Goodman Company, L.P.
7401 Security Way
Houston, Texas 77040
713-861-2500-Telephone
713-863-2382-Facsimile

Index

Functional Parts List	4 - 5
Illustration and Parts	6 - 21

Views shown are for parts illustrations only, not servicing procedures.

Text Codes:

AR - As Required

NA - Not Available

NS - Not Shown

00000000 - See Note

QTY - Quantity Example (QTY 3) (If Quantity not shown, Quantity = 1)

M - Model Example (M1) (If M Code not shown, then part is used on all Models)

Expanded Model Nomenclature:

Example	
M1 - Model#1	P _____
M2 - Model#2	P _____
M3 - Model#3	P _____

Functional Parts

Part

No: Description:

D6789025	CAPACITOR-METAL (M5, M6, M7, M9, M14, M15, M21, M22, M23)
D6789049	CAPACITOR-POLY (M1, M2, M3, M4, M10, M11, M12, M13, M16, M17, M18)
D6926117	COMP-PN 2K21S3R276
20007503	COND ASSY
20284906	DRIER-FILTER
11165603	EVAPORATOR ASSY
20008301	HARNESS-HYDR HT (M7, M8, M10, M11, M12, M13, M21)
20252002	HTR 3 2.5KW ASSY (M2)
20252003	HTR 3 3.5KW ASSY (M3)
20252005	HTR 3 5.0KW ASSY (M4)
11116206	HTR 4 1.5KW ASSY (M22)
20460607	HTR 4 2.5KW ASSY (M23)
20252008	HTR 4 3.7KW ASSY (M6, M14)
11172801	MOTOR (M8, M9, M11, M12, M13)
11114910	MOTOR-FAN (M5, M6, M7, M8, M9, M14, M15, M21, M22, M23)
11114909	MOTOR-FAN (M1, M2, M3, M4, M10, M11, M12, M16, M17, M19, M20)
20295502	PC BOARD
C8873917	RELAY (M7, M8, M9, M10, M13)
C8873932	RELAY (M11, M12)
B1337701	SWITCH-PADDLE (M11, M13)
20295701	THERMISTOR
20295701	THERMISTOR
20295702	THERMISTOR
B1378501	TRANSFORMER (M10, M11, M12, M13)
11172101	TRANSFORMER (M7, M8, M9)
11044101	WHEEL-BLOWER

Functional Parts

Part

No: **Description:**

SPECIAL PARTS

11113306 MANUAL-OWNERS (QTY 1)
RP4210029 PARTS MANUAL
RS4200001 SERVICE MANUAL
11046401 WARRANTY (QTY 1)

Expanded Model Nomenclature

M1 - PTC153A00CD	P1225288R
M2 - PTC153A25CD	P1225289R
M3 - PTC153A35CD	P1225290R
M4 - PTC153A50CD	P1225291R
M5 - PTC154A00CD	P1225295R
M6 - PTC154A35CD	P1225296R
M7 - PTC154A00HD	P1225446R
M8 - PTC154A00FD	P1225447R
M9 - PTC154A00GD	P1225448R
M10 - PTC153A00HD	P1225449R
M11 - PTC153A00FD	P1225450R
M12 - PTC153A00GD	P1225451R
M13 - PTC153A00ND	P1225452R
M14 - PTC154A35AD	P1242304R
M15 - PTC154A50AD	P1242305R
M16 - PTC153A00AD	P1242306R
M17 - PTC153A15AD	P1242307R
M18 - PTC153A25AD	P1242308R
M19 - PTC153A35AD	P1242309R
M20 - PTC153A50AD	P1242310R
M21 - PTC154A00AD	P1242301R
M22 - PTC154A15AD	P1242302R
M23 - PTC154A25AD	P1242303R

Front/Chassis

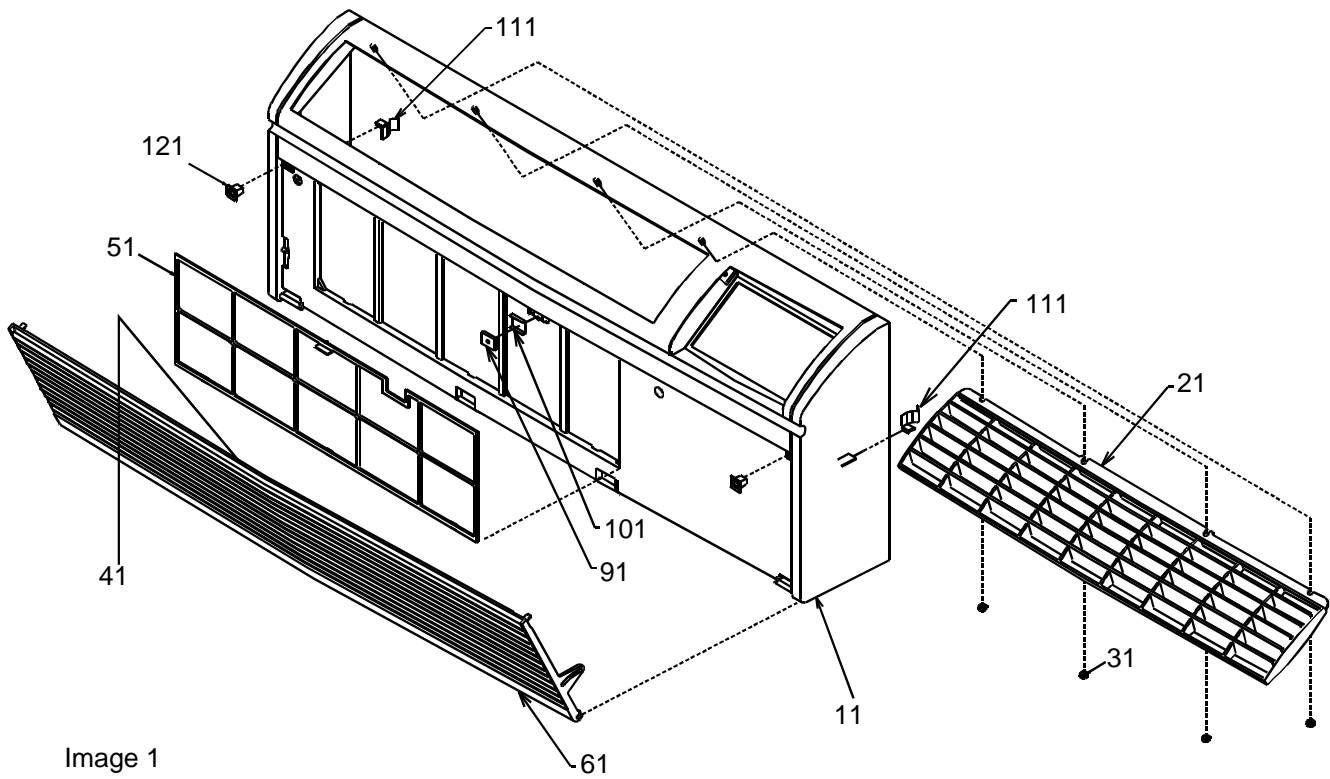
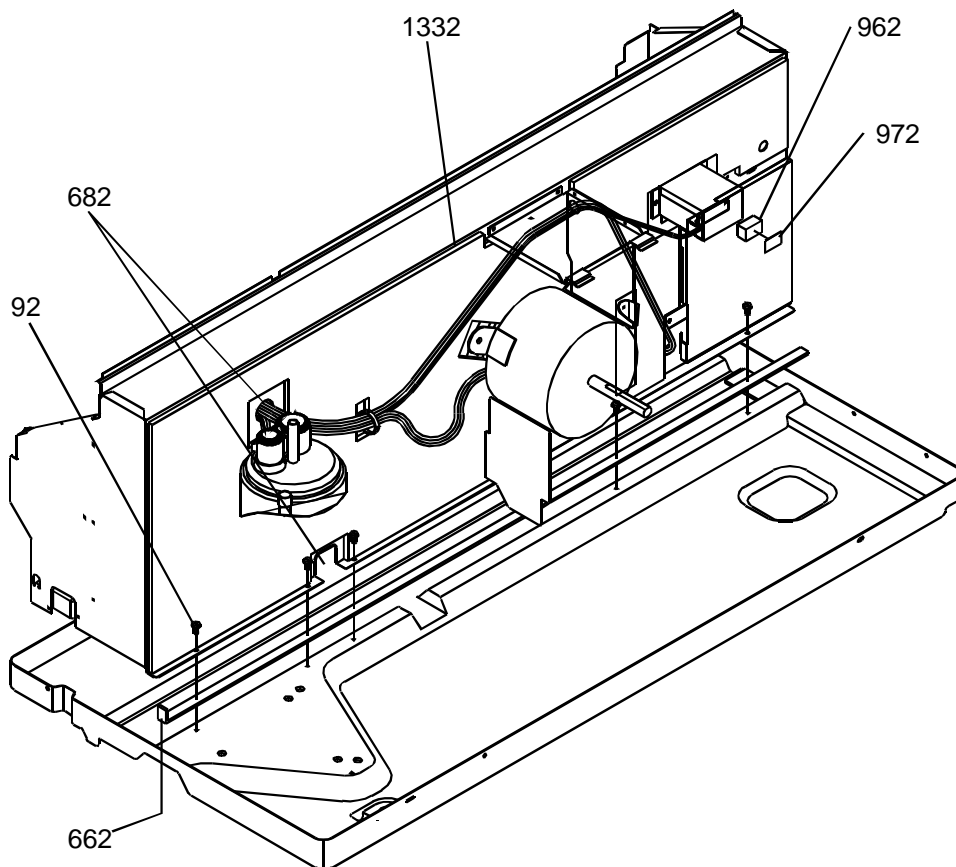


Image 1

Image 2



Front/Chassis

Ref. Part

No: No: Description:

Image 1:

11	11042701A	FRONT (M1, M2, M3, M4, M5, M6, M14, M15, M16, M17, M18, M19, M20, M21, M22, M23)
21	11167401	GRILLE-DISCHARGE (M1, M2, M3, M4, M5, M6, M14, M15, M16, M17, M18, M19, M20, M21, M22, M23)
31	M0293604	PALNUT (M1, M2, M3, M4, M5, M6, M14, M15, M16, M17, M18, M19, M20, M21, M22, M23)
41	11047101	STRIKE (M1, M2, M3, M4, M5, M6, M14, M15, M16, M17, M18, M19, M20, M21, M22, M23)
51	11045201	FILTER
61	20282501	GRILLE ASSY (M1, M2, M3, M4, M5, M6, M14, M15, M16, M17, M18, M19, M20, M21, M22, M23)
91	11047301	MAGNET (M1, M2, M3, M4, M5, M6, M14, M15, M16, M17, M18, M19, M20, M21, M22, M23)
101	11047201	HOLDER-MAGNET (M1, M2, M3, M4, M5, M6, M14, M15, M16, M17, M18, M19, M20, M21, M22, M23)
111	11045102	CLIP-SIDE (M1, M2, M3, M4, M5, M6, M14, M15, M16, M17, M18, M19, M20, M21, M22, M23)
121	10690002	DOOR CATCH ASSY (M1, M2, M3, M4, M5, M6, M14, M15, M16, M17, M18, M19, M20, M21, M22, M23)

Image 2:

92	M0253217	SCREW-TF (M1, M2, M3, M4, M5, M6, M14, M15, M16, M17, M18, M19, M20, M21, M22, M23)
662	10839823	GASKET-.12X.50X41
682	M0275521	SEALER-PLASTIC (M2, M3, M4, M5, M6, M7, M8, M9, M10, M11, M12, M13, M14, M15, M16, M17, M18, M19, M20, M21, M22, M23)
962	11178201	INSUL (M8, M9, M11, M12)
972	11178301	BUMPER (M8, M9, M11, M12)
1332	20208601	INSUL-PARTITION PN

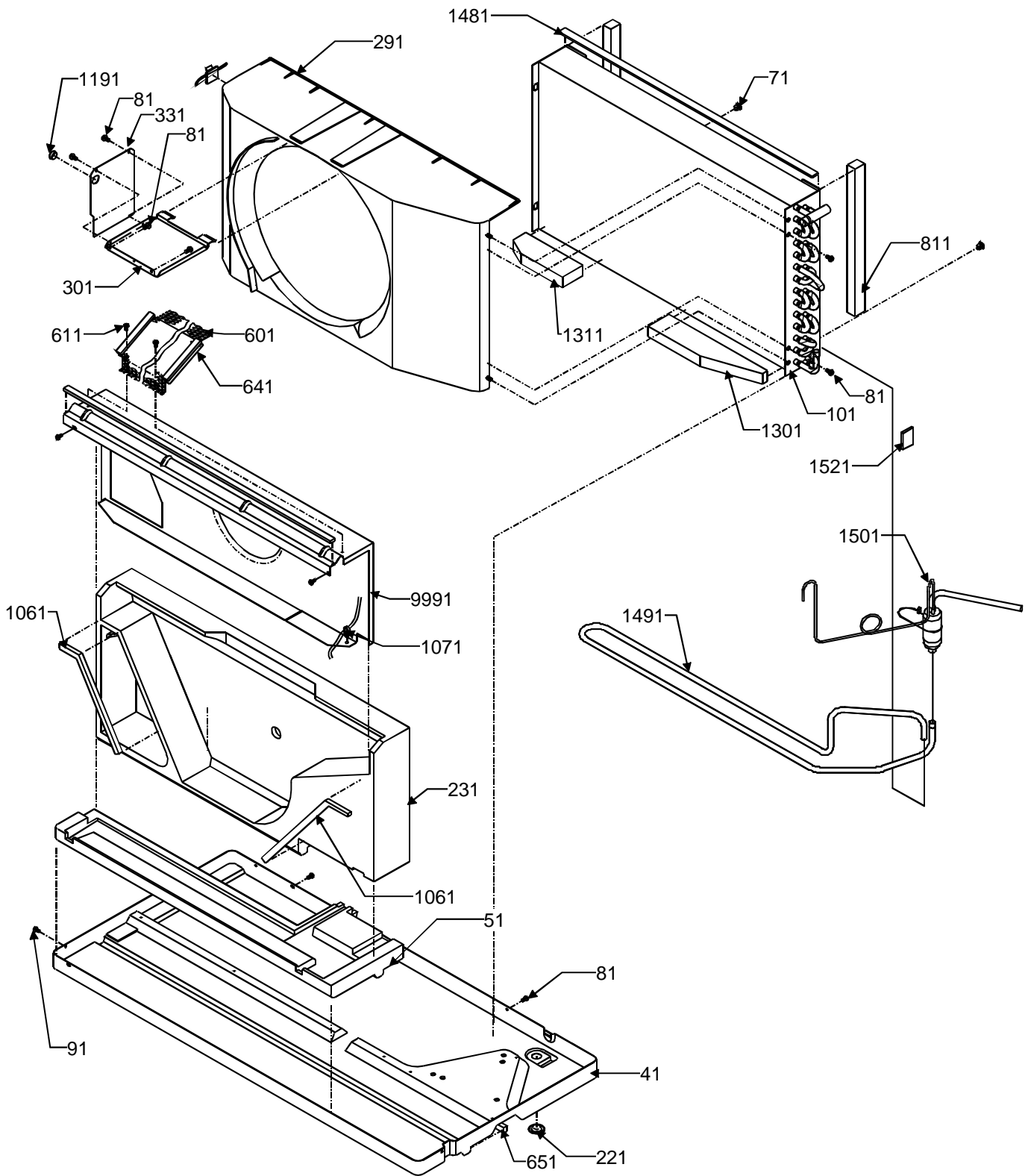
Ref. Part

No: No: Description:

Expanded Model Nomenclature

M1 - PTC153A00CD	P1225288R
M2 - PTC153A25CD	P1225289R
M3 - PTC153A35CD	P1225290R
M4 - PTC153A50CD	P1225291R
M5 - PTC154A00CD	P1225295R
M6 - PTC154A35CD	P1225296R
M7 - PTC154A00HD	P1225446R
M8 - PTC154A00FD	P1225447R
M9 - PTC154A00GD	P1225448R
M10 - PTC153A00HD	P1225449R
M11 - PTC153A00FD	P1225450R
M12 - PTC153A00GD	P1225451R
M13 - PTC153A00ND	P1225452R
M14 - PTC154A35AD	P1242304R
M15 - PTC154A50AD	P1242305R
M16 - PTC153A00AD	P1242306R
M17 - PTC153A15AD	P1242307R
M18 - PTC153A25AD	P1242308R
M19 - PTC153A35AD	P1242309R
M20 - PTC153A50AD	P1242310R
M21 - PTC154A00AD	P1242301R
M22 - PTC154A15AD	P1242302R
M23 - PTC154A25AD	P1242303R

Chassis



Chassis

**Ref. Part
No: No:**

Description:

**Ref. Part
No: No:**

Description:

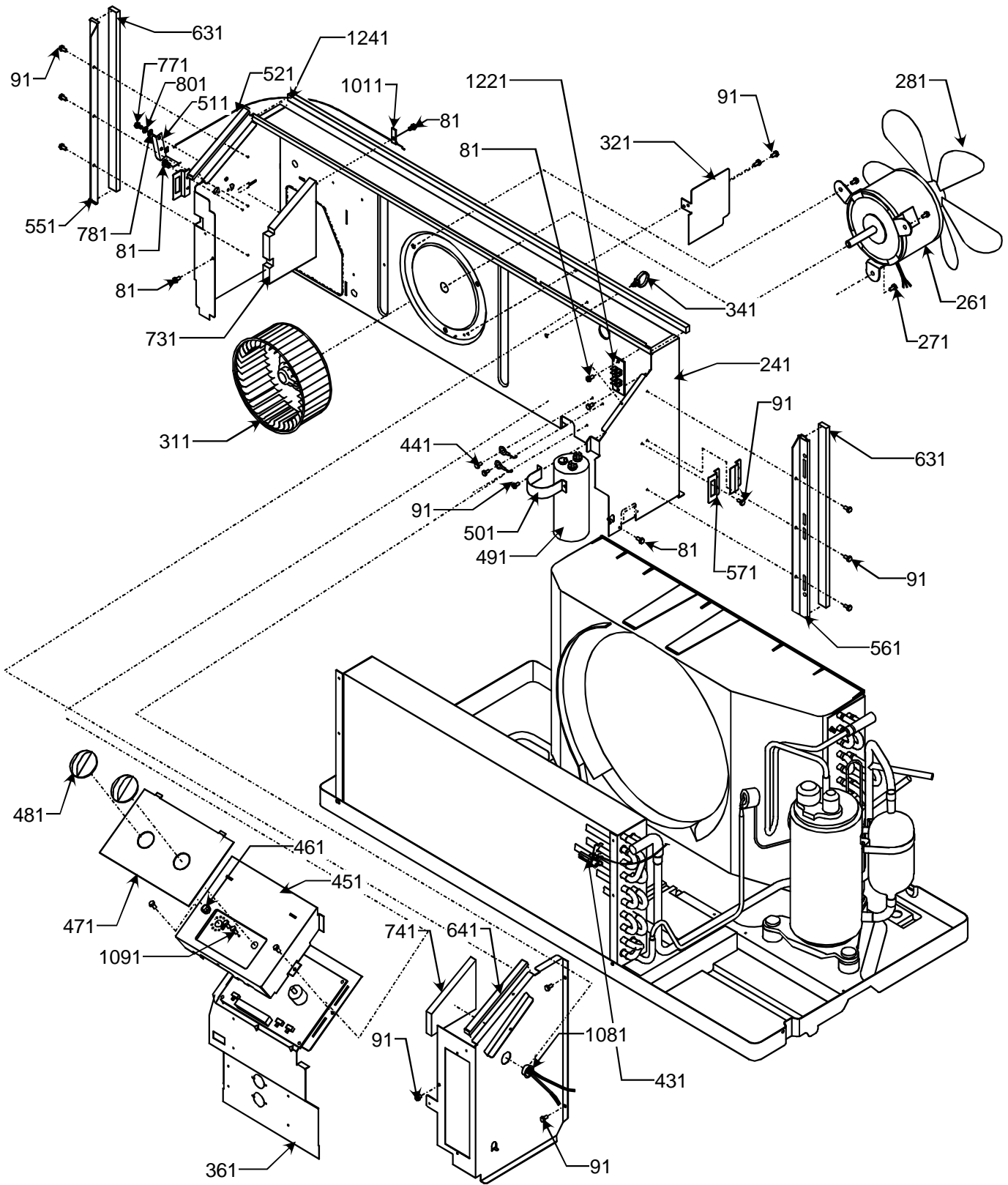
Image 1:

41	11042510	BASEPAN-PNT (M7, M8, M9, M10, M11, M12, M15, M16, M19, M20, M21, M22, M23)
41	11042511	BASEPAN-PNT (M1, M2, M3, M4, M5, M6, M13, M14, M17, M18)
51	11044702	PAD-EVAP
71	A3315701	GROMMET (QTY 4)
81	M0211216	SCREW-SM (QTY AR)
91	M0216716	SCREW-SM (QTY 2)
101	20007503	COND ASSY
221	A3080003	PLUG-BUTTON
231	11045802	SCROLL-BLOWER (M1, M2, M3, M4, M5, M6, M7, M8, M9, M10, M11, M12, M13, M14, M15, M16, M17, M18, M19, M20)
231	11045803	SCROLL-BLOWER (M21, M22, M23)
291	11167301	SHROUD-COND
301	11044201	BRACE-TIE
331	11046501	BAFFLE-TOP
601	11123904	SCREEN-PNT DISCH P (M1, M2, M3, M4, M5, M15, M16, M17, M18, M19, M20, M21, M22, M23)
611	M0204517	SCREW-SM STL ZINC (M1, M2, M3, M4, M5, M6, M14, M15, M16, M17, M18, M20, M21, M22, M23)
641	10839705	GASKET .50X.25 (QTY AR)
651	10839808	GASKET-.37X.50 (QTY 5)
811	10839712	GASKET .62X.75 (QTY AR)
1061	10839706	GASKET .50X.50 (QTY AR)
1071	M0120801	CLIP-GUIDE (M1, M2, M3, M4, M5, M6, M7, M9, M10, M11, M12, M13, M14, M15, M16, M19, M20, M21, M22, M23)
1191	A4554812	BUSHING-SNAP (M9, M11, M12, M13)
1301	20189701	INSUL-COND RH
1311	20189801	INSUL-COND LH
1481	10839822	GASKET-24.25X.50
1491	20369601	TUBE-SUBCOOLER (M2, M3, M4, M5, M6, M7, M8, M9, M10, M11, M12, M13, M14, M15, M16, M17, M18, M19, M20, M21, M22, M23)
1501	20369801	WELD-CAP TUBE (M5, M9, M12, M14, M18, M19, M20, M21, M22, M23)
1521	10839827	GASKET-CUT
9991	11044304	BLOWER-INT PNT

Expanded Model Nomenclature

M1 - PTC153A00CD	P1225288R
M2 - PTC153A25CD	P1225289R
M3 - PTC153A35CD	P1225290R
M4 - PTC153A50CD	P1225291R
M5 - PTC154A00CD	P1225295R
M6 - PTC154A35CD	P1225296R
M7 - PTC154A00HD	P1225446R
M8 - PTC154A00FD	P1225447R
M9 - PTC154A00GD	P1225448R
M10 - PTC153A00HD	P1225449R
M11 - PTC153A00FD	P1225450R
M12 - PTC153A00GD	P1225451R
M13 - PTC153A00ND	P1225452R
M14 - PTC154A35AD	P1242304R
M15 - PTC154A50AD	P1242305R
M16 - PTC153A00AD	P1242306R
M17 - PTC153A15AD	P1242307R
M18 - PTC153A25AD	P1242308R
M19 - PTC153A35AD	P1242309R
M20 - PTC153A50AD	P1242310R
M21 - PTC154A00AD	P1242301R
M22 - PTC154A15AD	P1242302R
M23 - PTC154A25AD	P1242303R

Chassis



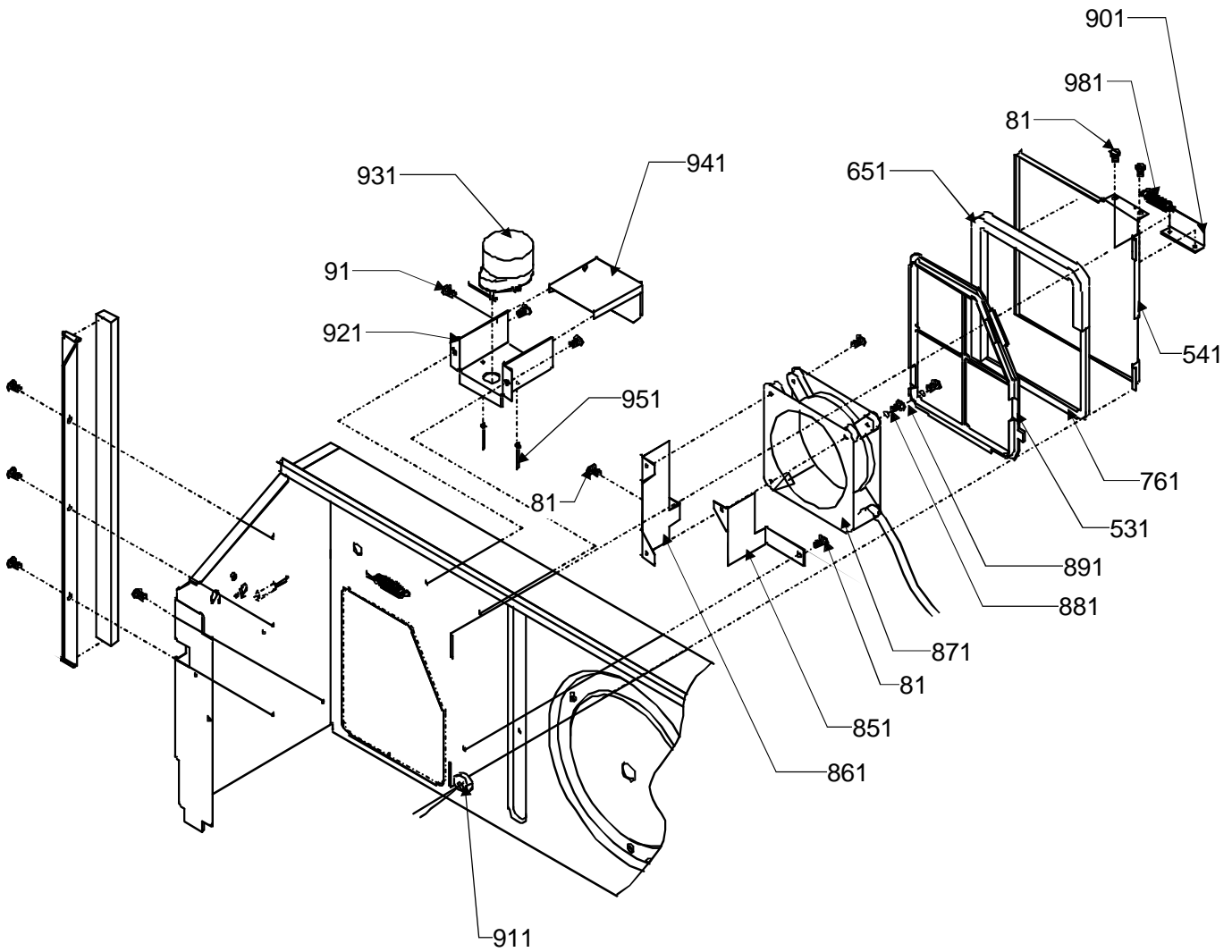
Chassis

Ref. Part No:	Ref. Part No:	Description:	Description:
<i>Image 1:</i>			
81	M0211216	SCREW-SM (QTY AR)	771 M0220757 SCREW-SHLDR (M1, M2, M3, M4, M5, M6, M7, M10, M14, M15, M16, M17, M20, M21, M22, M23)
91	M0216716	SCREW-SM (QTY AR)	781 M0273701 WASHER-SPRING (M1, M2, M3, M4, M5, M6, M7, M10, M14, M15, M16, M17, M20, M21, M22, M23)
241	11045508	PANEL-PTN (M8, M9, M10, M11, M12, M13, M14, M15, M16, M17, M18, M19, M20, M21, M22, M23)	801 M0270529 WASHER-FLAT (M1, M2, M3, M4, M5, M6, M7, M10, M14, M15, M16, M17, M20, M21, M22, M23)
241	11045509	PANEL-PTN PNT (M1, M2, M3, M4, M5, M6, M7)	1011 M0108103 CLAMP-TUBE (M1, M2, M3, M4, M5, M6, M7, M10, M14, M15, M16, M19, M20, M21, M22, M23)
261	11114909	MOTOR-FAN (M1, M2, M3, M4, M10, M11, M12, M16, M17, M19, M20)	1081 A4554801 BUSHING-SNAP (M1, M2, M3, M4, M5, M6, M7, M8, M9, M10, M11, M12, M13, M14, M15, M16, M17, M18, M19, M20)
261	11114910	MOTOR-FAN (M5, M6, M7, M8, M9, M14, M15, M21, M22, M23)	1091 M0216529 SCREW-SM (QTY 4)
271	M0224956	SCREW-TAP R (M20, M21, M22, M23)	1221 B1160701 BOARD-TERM (M9, M11, M12, M13)
281	20046501	FAN-PL. COND.	1241 10839814 GASKET-.50X.50 (QTY AR)
311	11044101	WHEEL-BLOWER	
321	20245401	BAFFLE-COND INLT (M2, M7, M8, M9, M10, M11, M12, M14, M15, M16, M17, M18, M19, M21, M22, M23)	
321	20245402	BAFFLE-PNT COND (M1, M3, M4, M5, M6, M13, M20)	
341	M0118702	CLIP-GUIDE (M1, M2, M3, M4, M5, M6, M8, M10, M11, M12, M13, M14, M17, M19, M21, M22, M23)	
361	11121505	CONT PANEL ASSY (M1, M2, M3, M4, M5, M6, M14, M15, M16, M17, M18, M19, M20, M21, M22, M23)	
361	20010905	CONT PANEL ASSY (M10)	
361	20010906	CONT PANEL ASSY (M7)	
361	20018604	CONT PANEL ASSY (M8, M9)	
361	20018603	CONT PNL ASSY (M11, M12, M13)	
431	20075601	CLIP-T'STAT	
441	M0227803	SCREW-TC (M1, M2, M3, M4, M5, M6, M7, M8, M9, M10, M11, M14, M15, M17, M19, M20)	
451	11044403	COVER-CONT PNL	
461	M0117902	CLIP-TUBULAR (M3, M4, M5, M6, M14, M15, M16, M17, M18, M19, M20, M21, M22, M23)	
471	20005701	PLATE-ESC (M1, M2, M3, M4, M5, M6, M14, M15, M16, M17, M18, M19, M20, M21, M22, M23)	
481	11042902	KNOB-CONTROL (QTY 2)	
491	D6789025	CAPACITOR-METAL (M5, M6, M7, M9, M14, M15, M21, M22, M23)	
491	D6789049	CAPACITOR-POLY (M1, M2, M3, M4, M10, M11, M12, M13, M16, M17, M18)	
501	C6300502	STRAP-CAPACITOR (M1, M2, M3, M4, M10, M12, M13, M16, M17, M18)	
501	C6300503	STRAP-CAPACITOR (M5, M6, M7, M9, M14, M15, M21, M22, M23)	
511	11046302	LEVER ARM	
521	11115401	CABLE (M1, M2, M3, M4, M5, M6, M7, M10, M14, M15, M16, M17, M18, M19, M20, M21, M22, M23)	
551	11044902	SEAL-L SIDE	
561	11044901	SEAL-R SIDE	
571	11191702	BRACKET-PTN PNL (M1, M2, M3, M4, M5, M7, M8, M9, M10, M11, M12, M13, M15, M16, M17, M18, M19, M20)	
631	10839807	GASKET-.37X.75 (QTY 3)	
641	10839705	GASKET .50X.25 (QTY AR)	
731	11122901	INSUL-LEFT (M1, M2, M3, M4, M5, M7, M8, M9, M10, M11, M12, M14, M18, M19, M20, M21, M22, M23)	
741	11123001	INSUL-RIGHT (M1, M2, M3, M4, M5, M7, M8, M9, M10, M11, M12, M14, M18, M19, M20, M21, M22, M23)	

Expanded Model Nomenclature

M1 - PTC153A00CD	P1225288R
M2 - PTC153A25CD	P1225289R
M3 - PTC153A35CD	P1225290R
M4 - PTC153A50CD	P1225291R
M5 - PTC154A00CD	P1225295R
M6 - PTC154A35CD	P1225296R
M7 - PTC154A00HD	P1225446R
M8 - PTC154A00FD	P1225447R
M9 - PTC154A00GD	P1225448R
M10 - PTC153A00HD	P1225449R
M11 - PTC153A00FD	P1225450R
M12 - PTC153A00GD	P1225451R
M13 - PTC153A00ND	P1225452R
M14 - PTC154A35AD	P1242304R
M15 - PTC154A50AD	P1242305R
M16 - PTC153A00AD	P1242306R
M17 - PTC153A15AD	P1242307R
M18 - PTC153A25AD	P1242308R
M19 - PTC153A35AD	P1242309R
M20 - PTC153A50AD	P1242310R
M21 - PTC154A00AD	P1242301R
M22 - PTC154A15AD	P1242302R
M23 - PTC154A25AD	P1242303R

Power Vent/Door



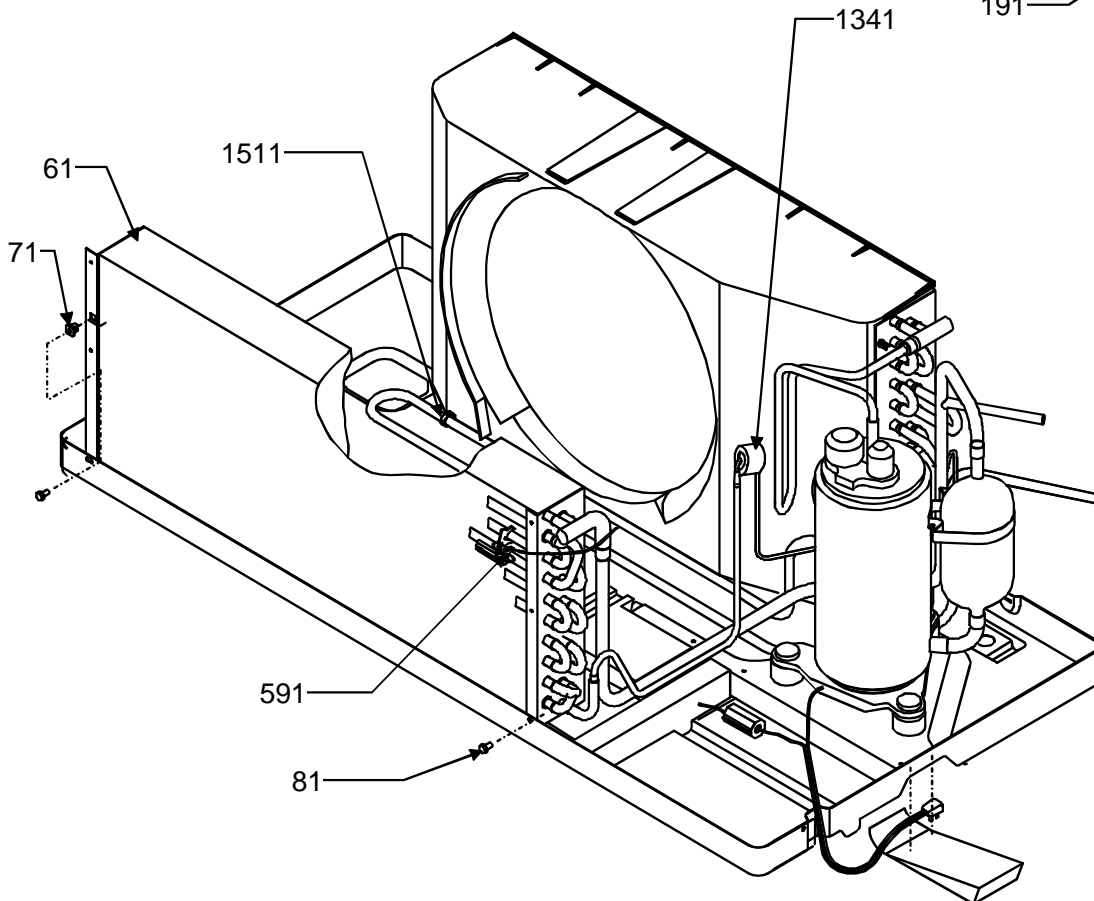
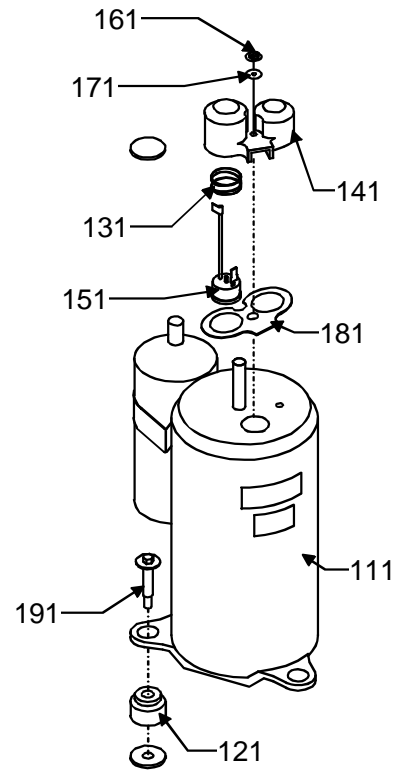
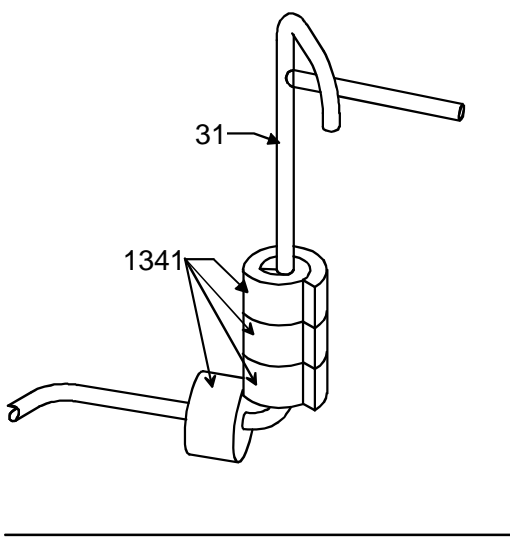
Power Vent/Door

Ref. Part No:	No:	Description:	Ref. Part No:	No:	Description:
<i>Image 1:</i>					
81	M0211216	SCREW-SM (QTY AR)			
91	M0216716	SCREW-SM (QTY AR)			
531	11046201	FILTER-VENT			
541	11046106	DOOR-PNT VENT (M1, M2, M3, M4, M5, M6, M13)			
541	11046105	DOOR-VENT (M7, M8, M9, M10, M11, M12, M14, M15, M16, M17, M18, M19, M20, M21, M22, M23)			
651	10839808	GASKET-.37X.50 (QTY 5)			
761	10839810	GASKET-.18X.38			
851	11135801	BRKT-L FAN (M8, M11)			
861	11145801	BRKT-R FAN (M8, M11)			
871	11149201	FAN-MUFFIN (M8, M11)			
881	M0272802	WASHER-LOCK (M8, M11)			
891	M0211011	SCREW-SM (M8, M11)			
901	11166301	BRKT-PWR VENT (M8, M9, M11, M12, M13)			
911	M0370005	RELIEF-STRAIN (M8, M11)			
921	11166101	BRKT-MOTOR (M8, M9, M11, M12)			
921	11166102	BRKT-PNT MOTOR (M13)			
931	11172801	MOTOR (M8, M9, M11, M12, M13)			
941	11166201	BRKT-COVER (M8, M9, M11, M12)			
941	11166202	BRKT-PNT COVER (M13)			
951	A4539606	RIVET-POP (M8, M11, M12, M13)			
981	11166401	SPRING-EXTENSION (M8, M9, M11, M12)			

Expanded Model Nomenclature

M1 - PTC153A00CD	P1225288R
M2 - PTC153A25CD	P1225289R
M3 - PTC153A35CD	P1225290R
M4 - PTC153A50CD	P1225291R
M5 - PTC154A00CD	P1225295R
M6 - PTC154A35CD	P1225296R
M7 - PTC154A00HD	P1225446R
M8 - PTC154A00FD	P1225447R
M9 - PTC154A00GD	P1225448R
M10 - PTC153A00HD	P1225449R
M11 - PTC153A00FD	P1225450R
M12 - PTC153A00GD	P1225451R
M13 - PTC153A00ND	P1225452R
M14 - PTC154A35AD	P1242304R
M15 - PTC154A50AD	P1242305R
M16 - PTC153A00AD	P1242306R
M17 - PTC153A15AD	P1242307R
M18 - PTC153A25AD	P1242308R
M19 - PTC153A35AD	P1242309R
M20 - PTC153A50AD	P1242310R
M21 - PTC154A00AD	P1242301R
M22 - PTC154A15AD	P1242302R
M23 - PTC154A25AD	P1242303R

Compressor/Tubing



Compressor/Tubing

Ref. Part No:	Ref. Part No:	Description:	Description:
<i>Image 1:</i>			
31	11144601	TUBE-SUCTION	
61	11165603	EVAPORATOR ASSY	
71	A3315701	GROMMET (QTY 4)	
81	M0211216	SCREW-SM (QTY AR)	
111	D6926117	COMP-PN 2K21S3R276	
121	A3448601	GROMMET (M1, M2, M3, M4, M5, M6, M7, M8, M9, M10, M11, M12, M13, M14, M15, M17, M19, M20, M21, M22, M23)	
131	A3436901	SPRING-OVERLOAD (M1, M2, M3, M4, M5, M6, M7, M8, M9, M10, M11, M12, M13, M14, M15, M17, M19, M20, M21, M22, M23)	
141	20120103	COVER-TERM	
151	D4976682	OVERLOAD (M1, M2, M3, M4, M10, M11, M12, M13, M17, M18, M19, M20)	
151	D6961657	OVERLOAD (M5, M6, M7, M8, M9, M14, M15, M16, M21, M22, M23)	
161	A3436601	NUT-TERM COVER (M1, M2, M3, M4, M5, M6, M7, M8, M10, M12, M13, M14, M15, M17, M19, M20, M21, M22, M23)	
171	A3436801	GASKET-NUT	
181	A3436701	GASKET-TERM COVER	
191	M0253610	SCREW-SHLDR (M1, M2, M3, M4, M5, M6, M7, M8, M10, M12, M13, M14, M15, M17, M19, M20, M21, M22, M23)	
591	20295702	THERMISTOR	
1341	11154803	SEALER-RUBBER BASE	
1511	M0115905	CLIP-RETAINER (QTY AR)	

Expanded Model Nomenclature

M1 - PTC153A00CD	P1225288R
M2 - PTC153A25CD	P1225289R
M3 - PTC153A35CD	P1225290R
M4 - PTC153A50CD	P1225291R
M5 - PTC154A00CD	P1225295R
M6 - PTC154A35CD	P1225296R
M7 - PTC154A00HD	P1225446R
M8 - PTC154A00FD	P1225447R
M9 - PTC154A00GD	P1225448R
M10 - PTC153A00HD	P1225449R
M11 - PTC153A00FD	P1225450R
M12 - PTC153A00GD	P1225451R
M13 - PTC153A00ND	P1225452R
M14 - PTC154A35AD	P1242304R
M15 - PTC154A50AD	P1242305R
M16 - PTC153A00AD	P1242306R
M17 - PTC153A15AD	P1242307R
M18 - PTC153A25AD	P1242308R
M19 - PTC153A35AD	P1242309R
M20 - PTC153A50AD	P1242310R
M21 - PTC154A00AD	P1242301R
M22 - PTC154A15AD	P1242302R
M23 - PTC154A25AD	P1242303R

Control Panel

Image 1

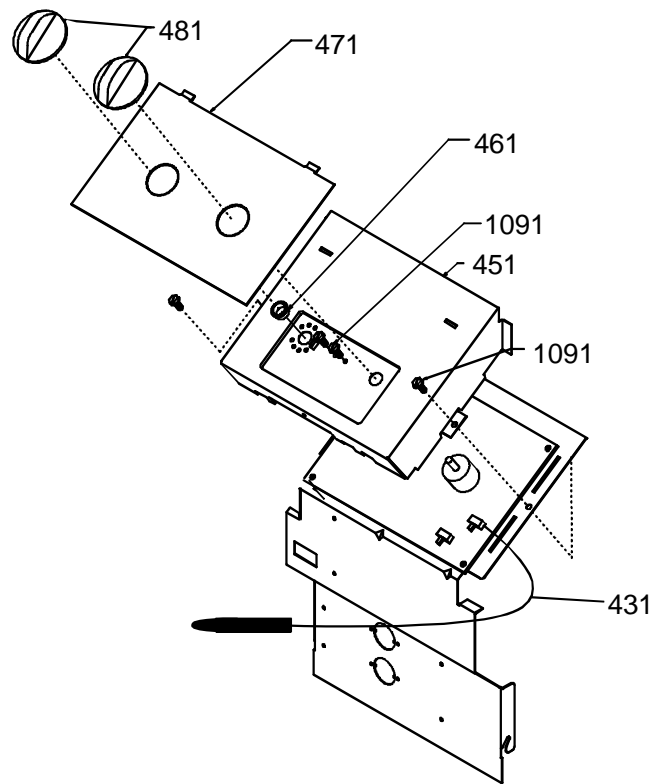
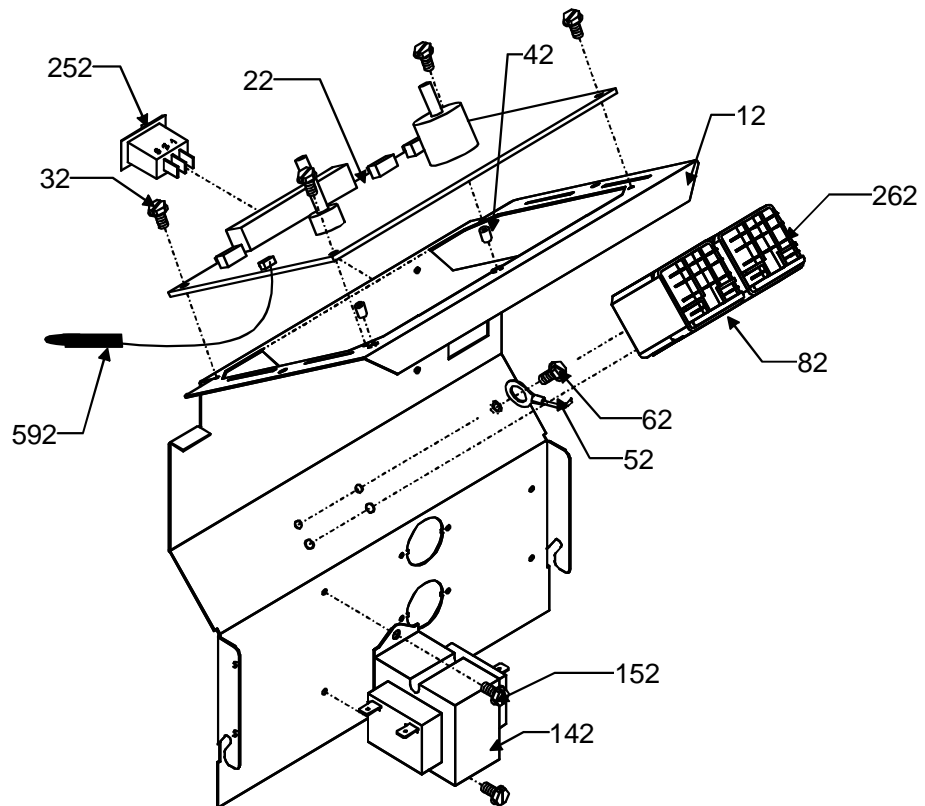


Image 2



Control Panel

Ref. Part No: No:	Description:	Ref. Part No: No:	Description:
-------------------	--------------	-------------------	--------------

Image 1:

431	20295701	THERMISTOR
451	11044403	COVER-CONT PNL
461	M0117902	CLIP-TUBULAR (M3, M4, M5, M6, M14, M15, M16, M17, M18, M19, M20, M21, M22, M23)
471	20005701	PLATE-ESC (M1, M2, M3, M4, M5, M6, M14, M15, M16, M17, M18, M19, M20, M21, M22, M23)
481	11042902	KNOB-CONTROL (QTY 2)
1091	M0216716	SCREW-SM (QTY AR)
NS	20008301	HARNESS-HYDR HT (M7, M8, M10, M11, M12, M13, M21)
NS	10618849	WIRE-JUMPER GN1 (M1, M2, M3, M4, M5, M6, M14, M15, M16, M17, M18, M19, M20, M21, M22, M23)

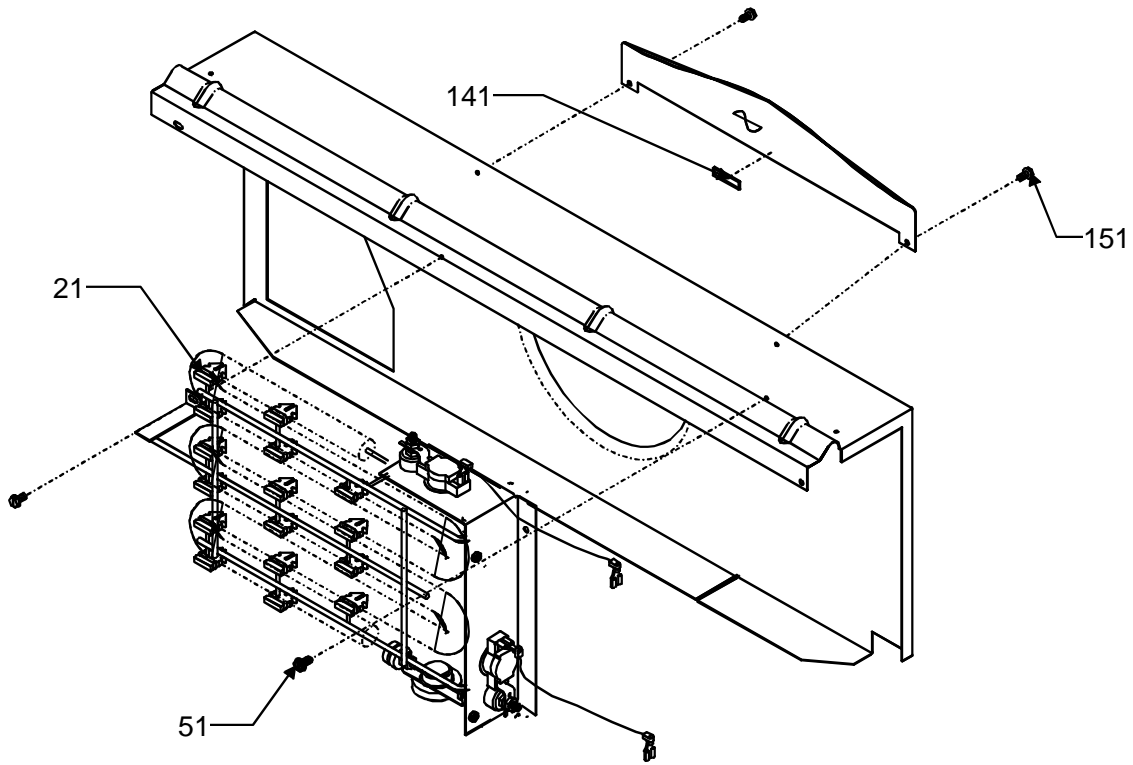
Image 2:

12	11044504	PANEL-CONTROL (M1, M2, M3, M4, M5, M6, M7, M8, M9, M10, M11, M12, M13, M14, M15, M16, M17, M18, M19, M20)
12	11044505	PANEL-CONTROL PTC (M21, M22, M23)
22	20295502	PC BOARD
32	M0216529	SCREW-SM (QTY 4)
42	M0590702	SUPPORT (M1, M2, M3, M4, M5, M6, M7, M8, M10, M11, M12, M14, M15, M17, M19, M20, M21, M22, M23)
52	10618849	WIRE-JUMPER GN1 (M7, M8, M9, M10, M11, M12, M13)
62	M0227803	SCREW-TC (QTY AR)
82	C8873932	RELAY (M11, M12)
142	11172101	TRANSFORMER (M7, M8, M9)
142	B1378501	TRANSFORMER (M10, M11, M12, M13)
152	M0216716	SCREW-SM (QTY AR)
252	B1337701	SWITCH-PADDLE (M11, M13)
262	C8873917	RELAY (M7, M8, M9, M10, M13)
592	20295701	THERMISTOR

Expanded Model Nomenclature

M1 - PTC153A00CD	P1225288R
M2 - PTC153A25CD	P1225289R
M3 - PTC153A35CD	P1225290R
M4 - PTC153A50CD	P1225291R
M5 - PTC154A00CD	P1225295R
M6 - PTC154A35CD	P1225296R
M7 - PTC154A00HD	P1225446R
M8 - PTC154A00FD	P1225447R
M9 - PTC154A00GD	P1225448R
M10 - PTC153A00HD	P1225449R
M11 - PTC153A00FD	P1225450R
M12 - PTC153A00GD	P1225451R
M13 - PTC153A00ND	P1225452R
M14 - PTC154A35AD	P1242304R
M15 - PTC154A50AD	P1242305R
M16 - PTC153A00AD	P1242306R
M17 - PTC153A15AD	P1242307R
M18 - PTC153A25AD	P1242308R
M19 - PTC153A35AD	P1242309R
M20 - PTC153A50AD	P1242310R
M21 - PTC154A00AD	P1242301R
M22 - PTC154A15AD	P1242302R
M23 - PTC154A25AD	P1242303R

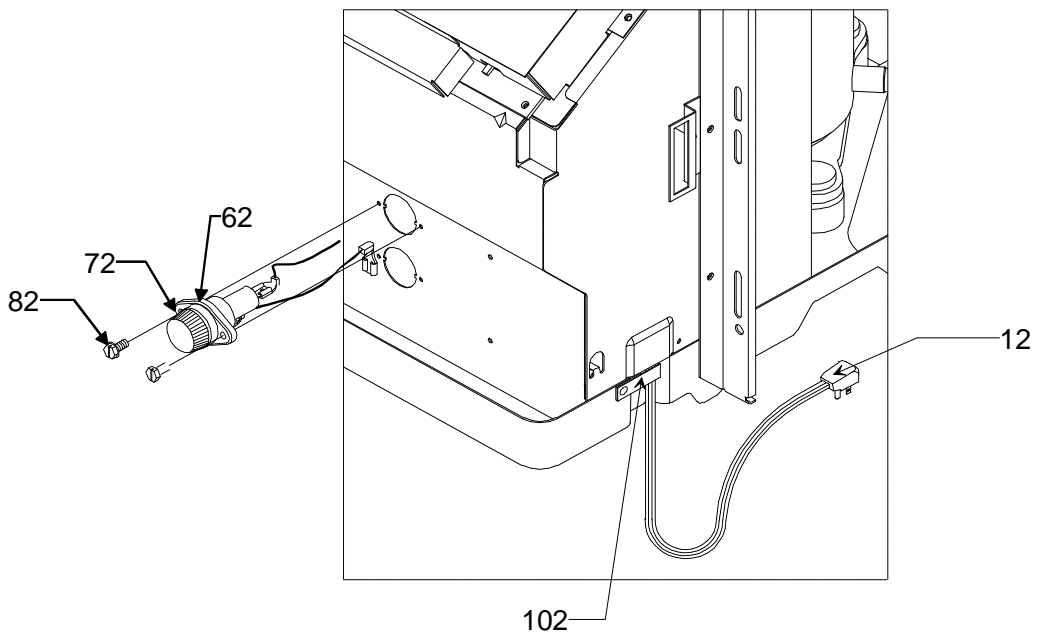
Heater



SINGLE STAGE HEAT

Image 1

Image 2



Heater

**Ref. Part
No: No:**

Description:

**Ref. Part
No: No:**

Description:

Image 1:

21	20252002	HTR 3 2.5KW ASSY (M2)
21	20252003	HTR 3 3.5KW ASSY (M3)
21	20252005	HTR 3 5.0KW ASSY (M4)
21	11116206	HTR 4 1.5KW ASSY (M22)
21	20460607	HTR 4 2.5KW ASSY (M23)
21	20252008	HTR 4 3.7KW ASSY (M6, M14)
51	M0216716	SCREW-SM (M1, M2, M3, M4, M5, M6, M7, M9, M10, M11, M12, M14, M15, M17, M18, M19, M20, M21, M22, M23)
141	10839722	GASKET .25X.06
151	M0216716	SCREW-SM (QTY AR)

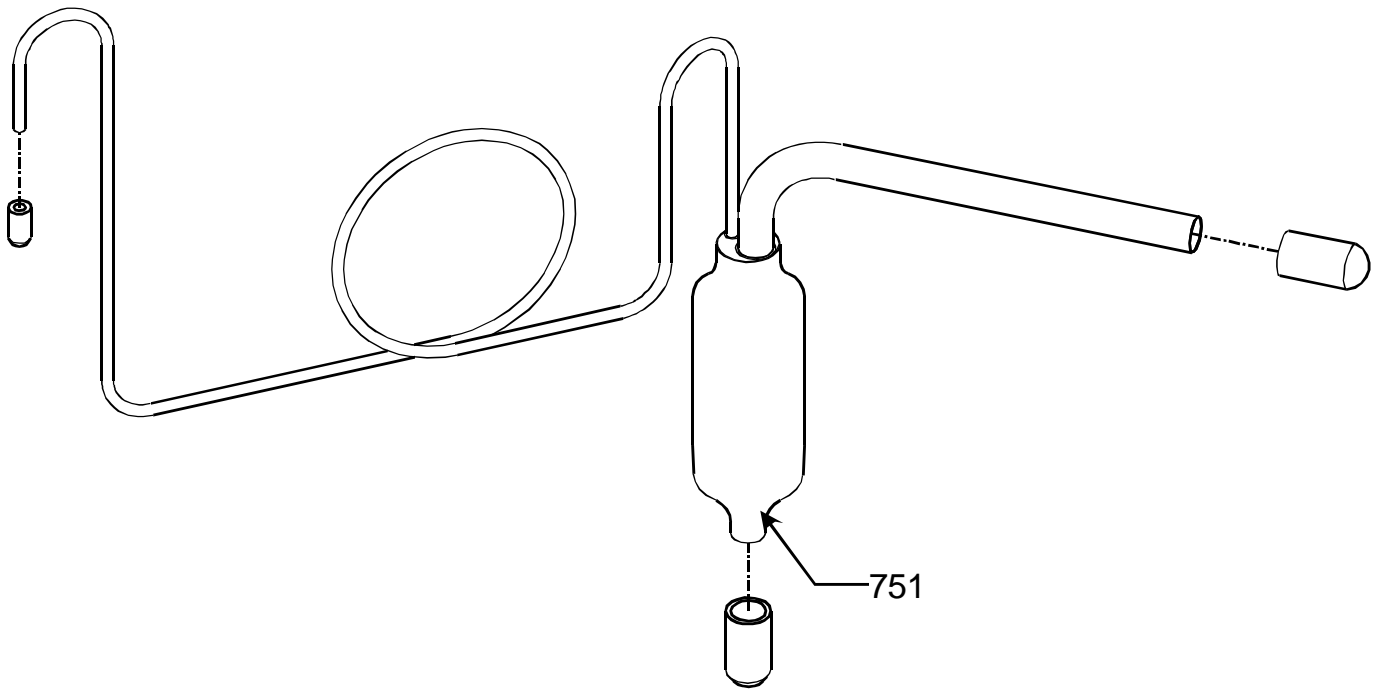
Image 2:

12	11114401	CORD-250V 15A (M1, M2, M10, M11, M12, M13, M16, M17, M18)
12	11114501	CORD-250V 20A (M3, M19)
12	11114601	CORD-250V 30A (M4, M20)
12	11114701	CORD-277V-20A (M5, M6, M7, M8, M9, M14, M15, M21, M22, M23)
62	C6476001	HOLDER-BAYONET FUS (M5, M7, M8, M9, M15, M22, M23)
62	C6476002	HOLDER-BAYONET FUS (M6)
62	C6476003	HOLDER-BAYONET FUSE (M15)
72	A3410402	FUSE-15A (M5, M7, M8, M9, M21, M22, M23)
72	A3410403	FUSE-20A (M6)
72	A3410404	FUSE-25 AMP (M15)
82	M0211216	SCREW-SM (QTY AR)
102	M0103905	CLAMP-SPEED (M1, M2, M10, M11, M12, M13, M16, M17, M18)
102	M0103906	CLAMP-SPEED (M3, M4, M5, M6, M7, M8, M9, M14, M15, M19, M20, M21, M22, M23)

Expanded Model Nomenclature

M1 - PTC153A00CD	P1225288R
M2 - PTC153A25CD	P1225289R
M3 - PTC153A35CD	P1225290R
M4 - PTC153A50CD	P1225291R
M5 - PTC154A00CD	P1225295R
M6 - PTC154A35CD	P1225296R
M7 - PTC154A00HD	P1225446R
M8 - PTC154A00FD	P1225447R
M9 - PTC154A00GD	P1225448R
M10 - PTC153A00HD	P1225449R
M11 - PTC153A00FD	P1225450R
M12 - PTC153A00GD	P1225451R
M13 - PTC153A00ND	P1225452R
M14 - PTC154A35AD	P1242304R
M15 - PTC154A50AD	P1242305R
M16 - PTC153A00AD	P1242306R
M17 - PTC153A15AD	P1242307R
M18 - PTC153A25AD	P1242308R
M19 - PTC153A35AD	P1242309R
M20 - PTC153A50AD	P1242310R
M21 - PTC154A00AD	P1242301R
M22 - PTC154A15AD	P1242302R
M23 - PTC154A25AD	P1242303R

Filter-Drier



Filter-Drier

Ref. Part

No: No:

Description:

Ref. Part

No: No:

Description:

Image 1:

751 20284906 DRIER-FILTER

Expanded Model Nomenclature

M1 - PTC153A00CD	P1225288R
M2 - PTC153A25CD	P1225289R
M3 - PTC153A35CD	P1225290R
M4 - PTC153A50CD	P1225291R
M5 - PTC154A00CD	P1225295R
M6 - PTC154A35CD	P1225296R
M7 - PTC154A00HD	P1225446R
M8 - PTC154A00FD	P1225447R
M9 - PTC154A00GD	P1225448R
M10 - PTC153A00HD	P1225449R
M11 - PTC153A00FD	P1225450R
M12 - PTC153A00GD	P1225451R
M13 - PTC153A00ND	P1225452R
M14 - PTC154A35AD	P1242304R
M15 - PTC154A50AD	P1242305R
M16 - PTC153A00AD	P1242306R
M17 - PTC153A15AD	P1242307R
M18 - PTC153A25AD	P1242308R
M19 - PTC153A35AD	P1242309R
M20 - PTC153A50AD	P1242310R
M21 - PTC154A00AD	P1242301R
M22 - PTC154A15AD	P1242302R
M23 - PTC154A25AD	P1242303R