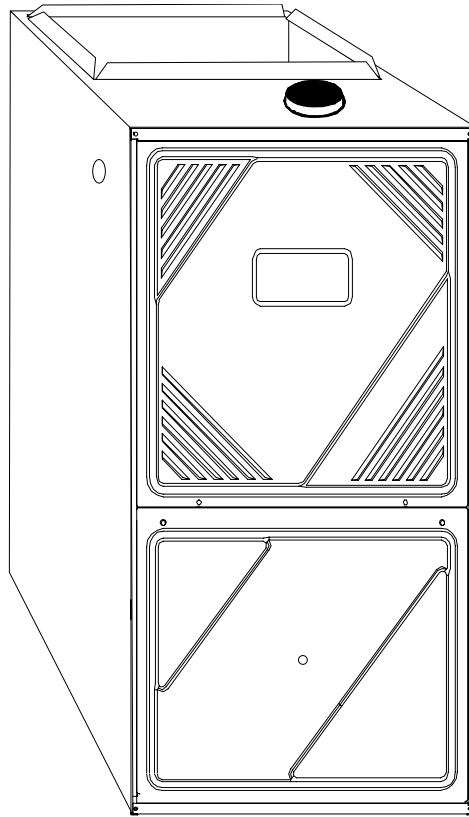


GUIC*FA/FX Gas Furnace Units

GUIC045FA30	P1241801F
GUIC045FX30	P1241901F
GUIC070FA30	P1241802F
GUIC070FA40	P1241803F
GUIC070FX30	P1241902F
GUIC070FX40	P1241903F
GUIC090FA30	P1241804F
GUIC090FA50	P1241805F
GUIC090FX30	P1241904F
GUIC090FX50	P1241905F
GUIC115FA40	P1241806F
GUIC115FA50	P1241807F
GUIC115FX40	P1241906F
GUIC115FX50	P1241907F
GUIC140FA50	P1241808F
GUIC140FX50	P1241908F



RP6621003
Revision 1
June 2002

Amana is a trademark of Maytag Corporation and used under license to Goodman Company, L.P. All rights reserved.

This manual is to be used by qualified technicians only.

www.amana-hac.com

This manual replaces RP6621003 Revision 0.

Copyright © 2002 Goodman Company, L.P.

Important Information

Index

Functional Parts List	3
Illustration and Parts	4 - 13

Views shown are for parts illustrations only, not servicing procedures

Revision 1 Updated Specification Sheet part number.

Text Codes:

AR - As Required

NA - Not Available

NS - Not Shown

00000000 - See Note

QTY - Quantity Example (QTY 3) (If Quantity not shown, Quantity = 1)

M - Model Example (M1) (If M Code not shown, then part is used on all Models)

Expanded Model Nomenclature:

Example
M1 - Model#1
M2 - Model#2
M3 - Model#3

Goodman Company, L.P. is not responsible for personal injury or property damage resulting from improper service. Review all service information before beginning repairs.

Warranty service must be performed by an authorized technician, using authorized factory parts. If service is required after the warranty expires, Goodman Company, L.P. also recommends contacting an authorized technician and using authorized factory parts.

Goodman Company, L.P. reserves the right to discontinue, or change at any time, specifications or designs without notice or without incurring obligations. Goodman® brand products are made proudly in the USA.

For assistance within the U.S.A. contact:

Consumer Affairs Department
Goodman Company, L.P.
7401 Security Way
Houston, Texas 77040
877-254-4729-Telephone
713-863-2382-Facsimile

For assistance outside the U.S.A. contact:

International Division
Goodman Company, L.P.
7401 Security Way
Houston, Texas 77040
713-861-2500-Telephone
713-863-2382-Facsimile

Functional Parts

**Part
No:**

Description:

Expanded Model Nomenclature

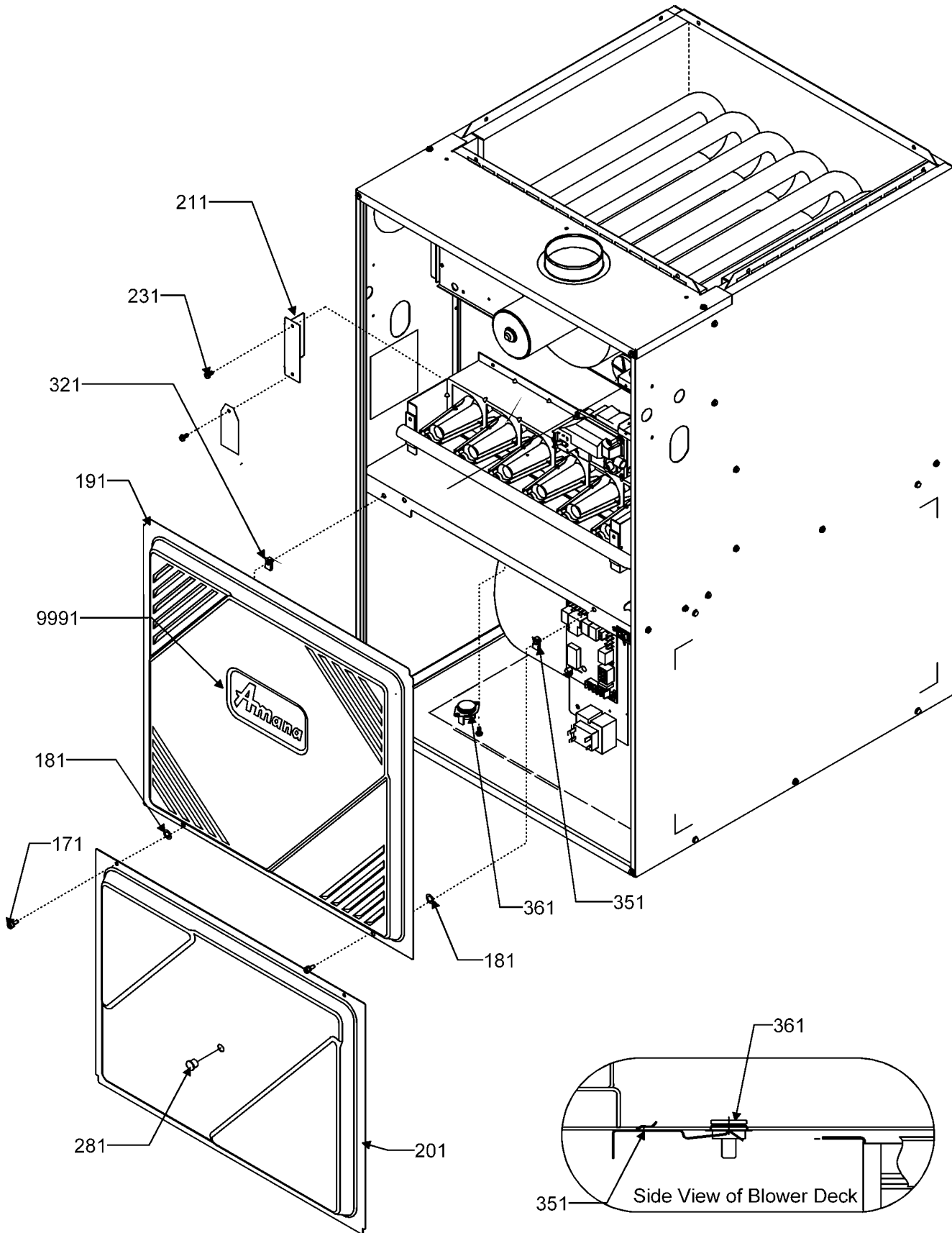
10735102	BECKETT BURNER (QTY AR)
D6879756	CAPACITOR (M3, M11)
D6879740	CAPACITOR (M5, M7, M8, M13, M15, M16)
D6879752	CAPACITOR (M1, M2, M4, M9, M10, M12)
D6879747	CAPACITOR (M6, M14)
10735201	FLAME SENSOR
20200905	HARNESS-WIRING (BLOWER)
20302203	HARNESS-WIRING (MAIN)
11111701	IGNITOR-SINI
10728324	LIMIT PRIMARY (M8, M16)
10728339	LIMIT PRIMARY (M2, M3, M6, M7, M10, M11, M14, M15)
10728330	LIMIT-PRIMARY (M1, M4, M5, M9, M12, M13)
10123519	LIMIT-RESET MAN (AUXILIARY)
10123527	LIMIT-RESET MAN (ROLLOUT) (M6, M7, M14, M15)
10123528	LIMIT-RESET MAN (ROLLOUT) (M1, M8, M9, M16)
10123538	LIMIT-RESET MAN (ROLLOUT) (M2, M3, M4, M5, M10, M11, M12, M13)
10207716	MODULE-CONTROL
20046615	MOTOR-BLOWER 1/2 HP (M3, M11)
20046619	MOTOR-BLOWER 1/2 HP (M6, M14)
20046614	MOTOR-BLOWER 1/3 HP (M1, M2, M4, M9, M10, M12)
20046617	MOTOR-BLOWER 3/4 HP (M5, M13)
20046618	MOTOR-BLOWER 3/4 HP (M8, M16)
20046620	MOTOR-BLOWER 3/4 HP (M7, M15)
10716003	ORIFICE (QTY AR)
10690402	SWITCH-INTERLOCK
10727921	SWITCH-PRESSURE (M1, M9)
10727923	SWITCH-PRESSURE (M2, M3, M4, M5, M6, M7, M8, M10, M11, M12, M13, M14, M15, M16)
C6349703	TRANSFORMER
C6476910	VALVE-GAS
D6723306	WHEEL-BLOWER (M6, M7, M8, M14, M15, M16)
D6723303	WHEEL-BLOWER (M4, M5, M12, M13)
D6723310	WHEEL-BLOWER (M1, M2, M3, M9, M10, M11)

M1 - GUIC045FA30	P1241801F
M2 - GUIC070FA30	P1241802F
M3 - GUIC070FA40	P1241803F
M4 - GUIC090FA30	P1241804F
M5 - GUIC090FA50	P1241805F
M6 - GUIC115FA40	P1241806F
M7 - GUIC115FA50	P1241807F
M8 - GUIC140FA50	P1241808F
M9 - GUIC045FX30	P1241901F
M10 - GUIC070FX30	P1241902F
M11 - GUIC070FX40	P1241903F
M12 - GUIC090FX30	P1241904F
M13 - GUIC090FX50	P1241905F
M14 - GUIC115FX40	P1241906F
M15 - GUIC115FX50	P1241907F
M16 - GUIC140FX50	P1241908F

SPECIAL PARTS

10758009	CERT-WARRANTY
10759826	INSTRUCT-INSTALL
RP6621003	MANUAL-PARTS
RS6600001	MANUAL-SERVICE
RT6621003	MANUAL-TECHNICAL
10759621	MANUAL-USERS
11110629	SPEC SHEET

Front Panels



Front Panels

Ref Part No:	Description:	Ref. Part No:	Description:
--------------	--------------	---------------	--------------

Image 1:

171	M0204317	SCREW-MACH (QTY 4)
181	M0273904	RETAINER-SCREW (QTY 4)
191	20177408	DOOR-ACCESS (M1, M2, M3, M9, M10, M11)
191	20177409	DOOR-ACCESS (M4, M5, M12, M13)
191	20177410	DOOR-ACCESS (M6, M7, M8, M14, M15, M16)
201	20177304	DOOR-BLWR (M1, M2, M3, M9, M10, M11)
201	20177305	DOOR-BLWR (M4, M5, M12, M13)
201	20177306	DOOR-BLWR (M6, M7, M8, M14, M15, M16)
211	10736201	COVER-HV BOX
231	M0216529	SCREW-SM (QTY 2)
281	11104001	SNAP-BUSHING CLR
321	91000301	NUT-U SPEED (QTY 4)
351	10861101	BRKT-AUX LIMIT
361	10123519	LIMIT-RESET MAN (AUXILIARY)
9991	20213209	NAMEPLATE-AMANA

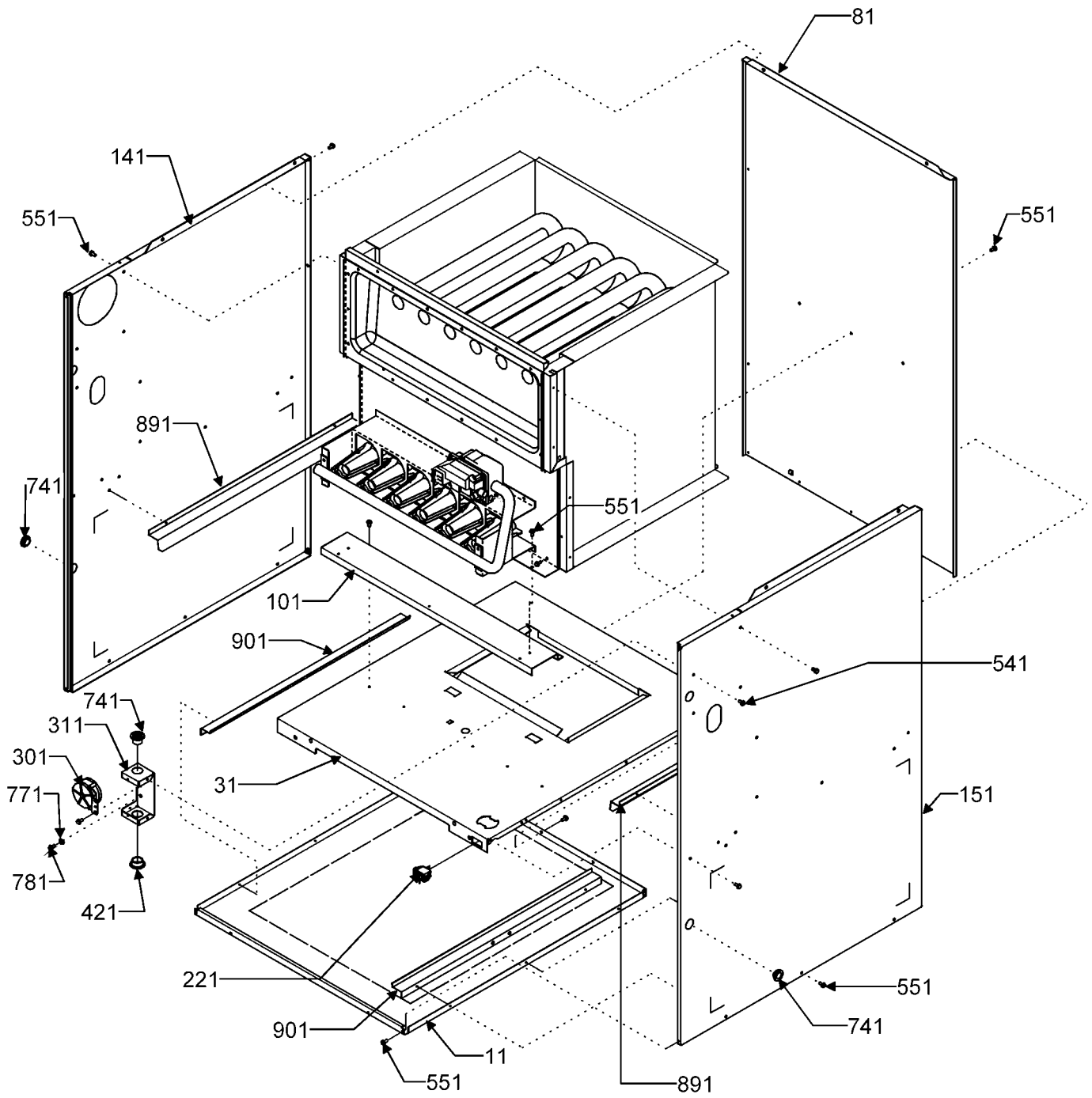
Expanded Model Nomenclature

M1 - GUIC045FA30	P1241801F
M2 - GUIC070FA30	P1241802F
M3 - GUIC070FA40	P1241803F
M4 - GUIC090FA30	P1241804F
M5 - GUIC090FA50	P1241805F
M6 - GUIC115FA40	P1241806F
M7 - GUIC115FA50	P1241807F
M8 - GUIC140FA50	P1241808F
M9 - GUIC045FX30	P1241901F
M10 - GUIC070FX30	P1241902F
M11 - GUIC070FX40	P1241903F
M12 - GUIC090FX30	P1241904F
M13 - GUIC090FX50	P1241905F
M14 - GUIC115FX40	P1241906F
M15 - GUIC115FX50	P1241907F
M16 - GUIC140FX50	P1241908F

Partition Tube/Collector Box/Manifold

Ref Part No:	Description:	Ref. Part No:	Description:
<i>Image 1:</i>		92 20190405	BRKT-BURNER 2B (M1, M9)
51 11094123	PTN/TUBE ASSY 2B (M1, M9)	92 20190407	BRKT-BURNER 3B (M2, M3, M10, M11)
51 11094124	PTN/TUBE ASSY 3B (M2, M3, M10, M11)	92 20190408	BRKT-BURNER 4B (M4, M5, M12, M13)
51 11094125	PTN/TUBE ASSY 4B (M4, M5, M12, M13)	92 20190409	BRKT-BURNER 5B (M6, M7, M14, M15)
51 11094126	PTN/TUBE ASSY 5B (M6, M7, M14, M15)	92 20190406	BRKT-BURNER 6B (M8, M16)
51 11094127	PTN/TUBE ASSY 6B (M8, M16)	152 M0219916	SCREW-SM (QTY AR)
61 10728601	BRACKET-LINER	Expanded Model Nomenclature	
71 10728602	BRACKET-LINER	M1 - GUIC045FA30	P1241801F
91 10728707	LINER-CABINET (M1, M9)	M2 - GUIC070FA30	P1241802F
91 10728708	LINER-CABINET (M2, M3, M10, M11)	M3 - GUIC070FA40	P1241803F
91 10728709	LINER-CABINET (M4, M5, M12, M13)	M4 - GUIC090FA30	P1241804F
91 10728710	LINER-CABINET (M6, M7, M14, M15)	M5 - GUIC090FA50	P1241805F
91 10728711	LINER-CABINET (M8, M16)	M6 - GUIC115FA40	P1241806F
161 10728503	RAIL-PART PNL	M7 - GUIC115FA50	P1241807F
171 10728504	RAIL-PART PNL	M8 - GUIC140FA50	P1241808F
321 11072201	SHIELD-ORF (M1, M9)	M9 - GUIC045FX30	P1241901F
321 11072202	SHIELD-ORF (M2, M3, M10, M11)	M10 - GUIC070FX30	P1241902F
321 11072203	SHIELD-ORF (M4, M5, M12, M13)	M11 - GUIC070FX40	P1241903F
321 11072204	SHIELD-ORF (M6, M7, M14, M15)	M12 - GUIC090FX30	P1241904F
321 11072205	SHIELD-ORF (M8, M16)	M13 - GUIC090FX50	P1241905F
331 10624003	INSERT-MESH TUBE (M9, M10, M11, M12, M13, M14, M15, M16)	M14 - GUIC115FX40	P1241906F
371 10728324	LIMIT PRIMARY (M8, M16)	M15 - GUIC115FX50	P1241907F
371 10728339	LIMIT PRIMARY (M2, M3, M6, M7, M10, M11, M14, M15)	M16 - GUIC140FX50	P1241908F
371 10728330	LIMIT-PRIMARY (M1, M4, M5, M9, M12, M13)		
511 M0224303	SCREW-SM (QTY 12)		
551 M0219916	SCREW-SM (QTY AR)		
831 11008302	BAFFLE-LINER (M2, M3, M10, M11)		
831 11008303	BAFFLE-LINER (M4, M5, M12, M13)		
831 11008304	BAFFLE-LINER (M6, M7, M14, M15)		
831 11008305	BAFFLE-LINER (M8, M16)		
831 11008306	BAFFLE-LINER (M1, M9)		
<i>Image 2:</i>			
12 11111701	IGNITOR-SINI		
22 C6476910	VALVE-GAS		
32 10716003	ORIFICE (QTY AR)		
42 10735201	FLAME SENSOR		
52 10123527	LIMIT-RESET MAN (ROLLOUT) (M6, M7, M14, M15)		
52 10123528	LIMIT-RESET MAN (ROLLOUT) (M1, M8, M9, M16)		
52 10123538	LIMIT-RESET MAN (ROLLOUT) (M2, M3, M4, M5, M10, M11, M12, M13)		
62 20301801	MANIFOLD 2B (M1, M9)		
62 20301802	MANIFOLD 3B (M2, M3, M10, M11)		
62 20301803	MANIFOLD 4B (M4, M5, M12, M13)		
62 20301804	MANIFOLD 5B (M6, M7, M14, M15)		
62 20301805	MANIFOLD 6B (M8, M16)		
72 10735102	BECKETT BURNER (QTY AR)		

Outer Cabinet



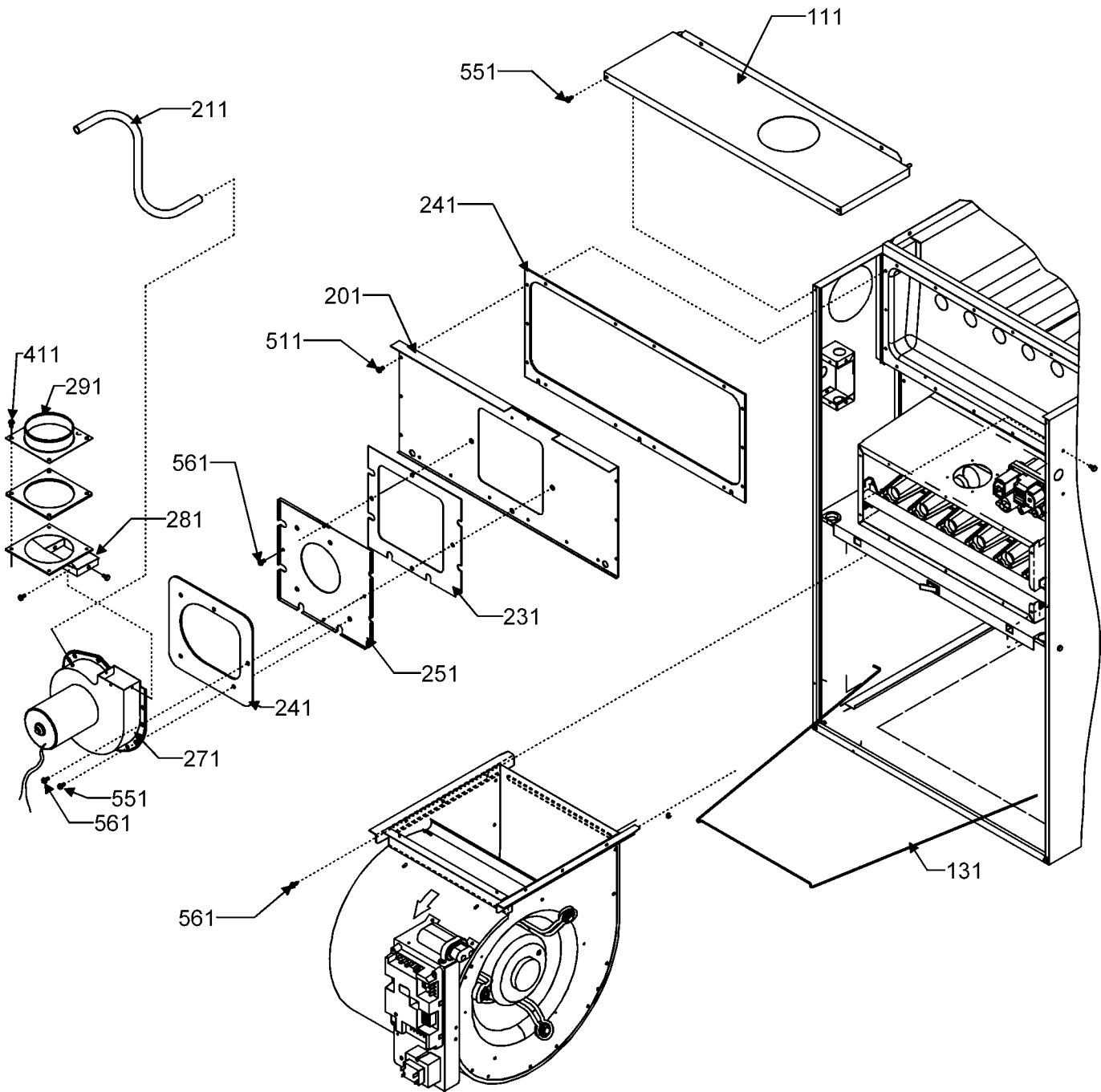
Outer Cabinet

Ref Part No:	Description:	Ref. Part No:	Description:
<i>Image 1:</i>			
11 20273401	BASEPAN-UPFLOW (M1, M2, M3, M9, M10, M11)		
11 20273404	BASEPAN-UPFLOW (M4, M5, M12, M13)		
11 20273405	BASEPAN-UPFLOW (M6, M7, M8, M14, M15, M16)		
31 20190219	DECK-BLWR UF (M1, M2, M3, M9, M10, M11)		
31 20190220	DECK-BLWR UF (M4, M5, M12, M13)		
31 20190221	DECK-BLWR UF (M6, M7, M8, M14, M15, M16)		
81 20273201	PANEL-BACK (M1, M2, M3, M9, M10, M11)		
81 20273202	PANEL-BACK (M4, M5, M12, M13)		
81 20273203	PANEL-BACK (M6, M7, M8, M14, M15, M16)		
101 20301901	SUPPORT-PART PANEL (M1, M2, M3, M9, M10, M11)		
101 20301902	SUPPORT-PART PANEL (M4, M5, M12, M13)		
101 20301903	SUPPORT-PART PANEL (M6, M7, M8, M14, M15, M16)		
141 10727018	PANEL-SIDE RH UP		
151 10727118	PANEL-SIDE L UF		
221 10690402	SWITCH-INTERLOCK		
301 10727921	SWITCH-PRESSURE (M1, M9)		
301 10727923	SWITCH-PRESSURE (M2, M3, M4, M5, M6, M7, M8, M10, M11, M12, M13, M14, M15, M16)		
311 10736102	BOX-HIGH VOLT		
421 A4554801	BUSHING-SNAP		
541 M0216716	SCREW-SM (QTY 2)		
551 M0219916	SCREW-SM (QTY AR)		
741 M0571002	BUSHING-SNAP (QTY 3)		
771 M0270001	WASHER-CUP		
781 M0227803	SCREW-TC		
891 10690301	ANGLE-FILTER (QTY 2)		
901 20242801	RAIL-FILTER (QTY 2)		

Expanded Model Nomenclature

M1 - GUIC045FA30	P1241801F
M2 - GUIC070FA30	P1241802F
M3 - GUIC070FA40	P1241803F
M4 - GUIC090FA30	P1241804F
M5 - GUIC090FA50	P1241805F
M6 - GUIC115FA40	P1241806F
M7 - GUIC115FA50	P1241807F
M8 - GUIC140FA50	P1241808F
M9 - GUIC045FX30	P1241901F
M10 - GUIC070FX30	P1241902F
M11 - GUIC070FX40	P1241903F
M12 - GUIC090FX30	P1241904F
M13 - GUIC090FX50	P1241905F
M14 - GUIC115FX40	P1241906F
M15 - GUIC115FX50	P1241907F
M16 - GUIC140FX50	P1241908F

Vent Systems/Controls



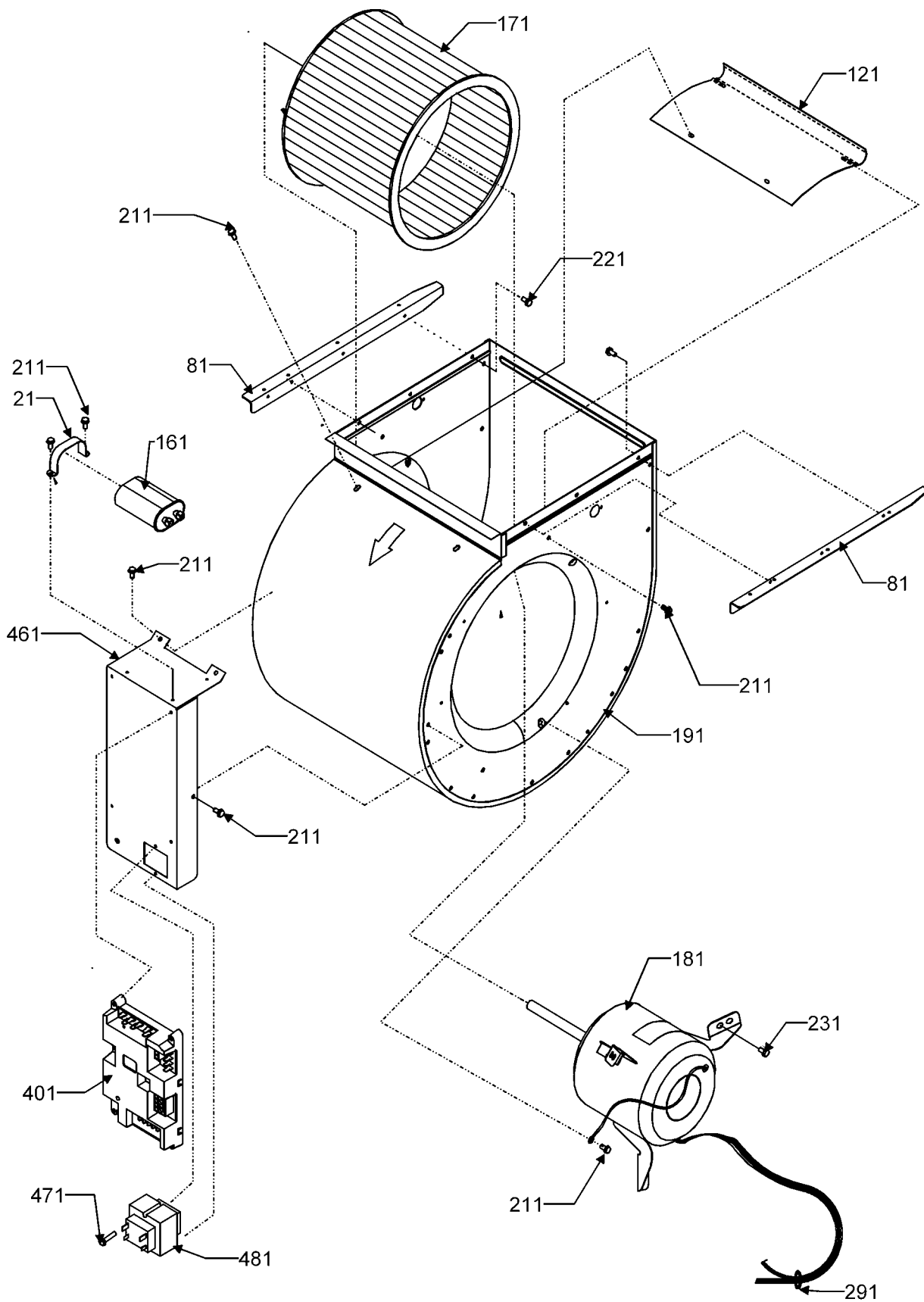
Vent Systems/Controls

Ref Part No:	Description:	Ref. Part No:	Description:
<i>Image 1:</i>			
111 20273307	COVER-FLUE (M1, M2, M3, M9, M10, M11)		
111 20273308	COVER-FLUE (M4, M5, M12, M13)		
111 20273309	COVER-FLUE (M6, M7, M8, M14, M15, M16)		
131 20178501	RETAINER-FILTER		
201 10764404	PLATE-PTN (M1, M2, M3, M9, M10, M11)		
201 10764405	PLATE-PTN (M4, M5, M12, M13)		
201 10764406	PLATE-PTN (M6, M7, M8, M14, M15, M16)		
211 B1410302	HOSE-PRESSURE SW (M6, M7, M8, M14, M15, M16)		
211 B1410303	HOSE-PRESSURE SW (M1, M2, M3, M9, M10, M11)		
211 B1410312	HOSE-PRESSURE SW (M4, M5, M12, M13)		
231 10764601	GASKET-ROTATE PLT		
241 11142201	GASKET-COLL/ID (M1, M2, M3, M9, M10, M11)		
241 11142202	GASKET-COLL/ID (M4, M5, M12, M13)		
241 11142203	GASKET-COLL/ID (M6, M7, M8, M14, M15, M16)		
251 10764301	PLATE-ROTATNG (M1, M9)		
251 10764311	PLATE-ROTATNG (M2, M3, M10, M11)		
251 10764312	PLATE-ROTATNG (M6, M7, M14, M15)		
251 10764313	PLATE-ROTATNG (M8, M16)		
251 10764314	PLATE-ROTATNG (M4, M5, M12, M13)		
271 20044402	BLOWER ID		
281 11072302	TRAN-ID BLOW		
291 11009701	TOP-TRAN PLATE		
411 M0253516	SCREW-TR (QTY 4)		
551 M0219916	SCREW-SM (QTY AR)		
561 M0219918	SCREW-SM #8-5/8 (QTY AR)		

Expanded Model Nomenclature

M1 - GUIC045FA30	P1241801F
M2 - GUIC070FA30	P1241802F
M3 - GUIC070FA40	P1241803F
M4 - GUIC090FA30	P1241804F
M5 - GUIC090FA50	P1241805F
M6 - GUIC115FA40	P1241806F
M7 - GUIC115FA50	P1241807F
M8 - GUIC140FA50	P1241808F
M9 - GUIC045FX30	P1241901F
M10 - GUIC070FX30	P1241902F
M11 - GUIC070FX40	P1241903F
M12 - GUIC090FX30	P1241904F
M13 - GUIC090FX50	P1241905F
M14 - GUIC115FX40	P1241906F
M15 - GUIC115FX50	P1241907F
M16 - GUIC140FX50	P1241908F

Blower



Blower

Ref Part No:	Description:	Ref. Part No:	Description:
<i>Image 1:</i>		Expanded Model Nomenclature	
21	A3410501 STRAP-CAPACITOR (M5, M7, M8, M13, M15, M16)	M1 - GUIC045FA30	P1241801F
21	A4055402 STRAP-CAPACITOR (M1, M2, M3, M4, M6, M9, M10, M11, M12, M14)	M2 - GUIC070FA30	P1241802F
81	20175101 RAIL-BLWR SIDE (QTY 2)	M3 - GUIC070FA40	P1241803F
121	C6121803 CUTOFF (M1, M2, M3, M9, M10, M11)	M4 - GUIC090FA30	P1241804F
121	C6121806 CUTOFF (M4, M5, M12, M13)	M5 - GUIC090FA50	P1241805F
121	C6121807 CUTOFF (M6, M7, M8, M14, M15, M16)	M6 - GUIC115FA40	P1241806F
161	D6879740 CAPACITOR (M5, M7, M8, M13, M15, M16)	M7 - GUIC115FA50	P1241807F
161	D6879747 CAPACITOR (M6, M14)	M8 - GUIC140FA50	P1241808F
161	D6879752 CAPACITOR (M1, M2, M4, M9, M10, M12)	M9 - GUIC045FX30	P1241901F
161	D6879756 CAPACITOR (M3, M11)	M10 - GUIC070FX30	P1241902F
171	D6723303 WHEEL-BLOWER (M4, M5, M12, M13)	M11 - GUIC070FX40	P1241903F
171	D6723306 WHEEL-BLOWER (M6, M7, M8, M14, M15, M16)	M12 - GUIC090FX30	P1241904F
171	D6723310 WHEEL-BLOWER (M1, M2, M3, M9, M10, M11)	M13 - GUIC090FX50	P1241905F
181	20046615 MOTOR-BLOWER 1/2 HP (M3, M11)	M14 - GUIC115FX40	P1241906F
181	20046619 MOTOR-BLOWER 1/2 HP (M6, M14)	M15 - GUIC115FX50	P1241907F
181	20046614 MOTOR-BLOWER 1/3 HP (M1, M2, M4, M9, M10, M12)	M16 - GUIC140FX50	P1241908F
181	20046617 MOTOR-BLOWER 3/4 HP (M5, M13)		
181	20046618 MOTOR-BLOWER 3/4 HP (M8, M16)		
181	20046620 MOTOR-BLOWER 3/4 HP (M7, M15)		
191	11185813 HSG WELD-BLWR (M1, M2, M3, M9, M10, M11)		
191	11185814 HSG WELD-BLWR (M4, M5, M12, M13)		
191	11185815 HSG WELD-BLWR (M6, M7, M8, M14, M15, M16)		
211	M0219916 SCREW-SM (QTY 8)		
221	M0253516 SCREW-TR (QTY 6)		
231	M0250558 SCREW-TC (QTY 3)		
291	M0321202 TIE-ELEC LG		
401	10207716 MODULE-CONTROL		
461	10746205 BRACKET-CONT		
471	M0216536 SCREW-SM (QTY 2)		
481	C6349703 TRANSFORMER		