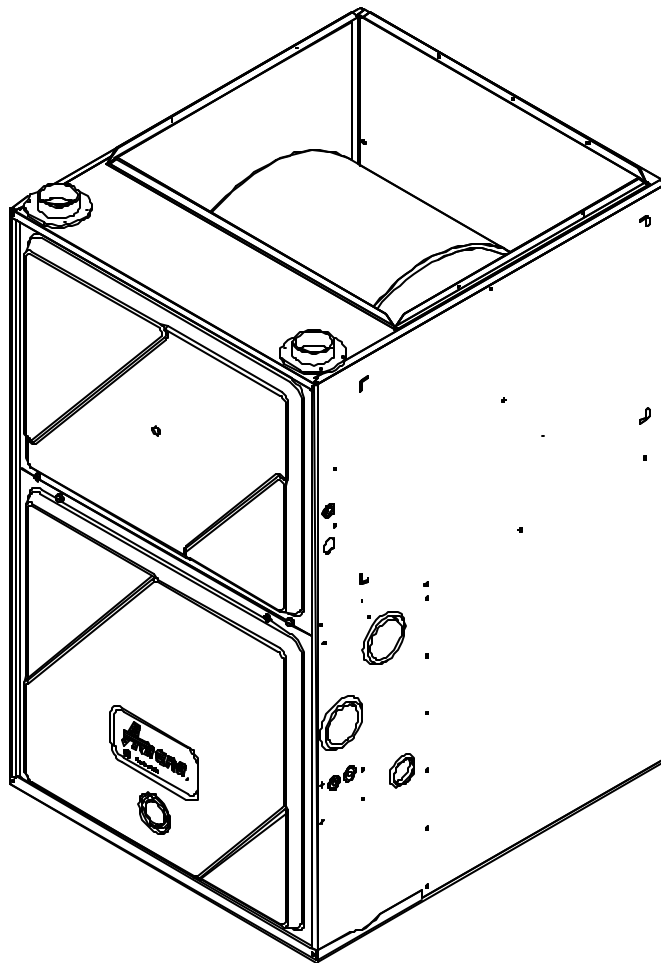


Service Parts

GCCA Counterflow Gas Furnace

This manual replaces RP6610025 Revision 2.
This manual is to be used by qualified appliance technicians only.



Models and manufacturing numbers in this manual

GCCA045AX30	P1239401F
GCCA045BX30	P1241701F
GCCA045CX30	P1252701F
GCCA070AX30	P1239402F
GCCA070AX40	P1239403F
GCCA070BX30	P1241702F
GCCA070BX40	P1241703F
GCCA070CX30	P1252702F
GCCA070CX40	P1252703F
GCCA090AX40	P1239404F
GCCA090AX50	P1239405F
GCCA090BX40	P1241704F
GCCA090BX50	P1241705F
GCCA090CX40	P1252704F
GCCA090CX50	P1252705F
GCCA115AX50	P1239406F
GCCA115BX50	P1241706F
GCCA115CX50	P1252706F



Amana is a trademark of Maytag Worldwide N.V. and used under license to Goodman Company, L.P. All rights reserved.

RP6610025
Revision 2
November 2003

Copyright © 2003 Goodman Company, L.P.

Important Information

Goodman Company, L.P. is not responsible for personal injury or property damage resulting from improper service. Review all service information before beginning repairs.

Warranty service must be performed by an authorized technician, using authorized factory parts. If service is required after the warranty expires, Goodman Company, L.P. also recommends contacting an authorized technician and using authorized factory parts.

For assistance within the U.S.A. contact:
Consumer Affairs Department
Goodman Company, L.P.
7401 Security Way
Houston, Texas 77040
877-254-4729-Telephone
713-863-2382-Facsimile

For assistance outside the U.S.A. contact:
International Division
Goodman Company, L.P.
7401 Security Way
Houston, Texas 77040
713-861-2500-Telephone
713-863-2382-Facsimile

Index

Functional Parts List	4 - 5
Illustration and Parts	6 - 15

Views shown are for parts illustrations only, not servicing procedures.

Revision 1 Updates Specification Sheet for the *BX models.
Revision 2 Adds GCCA*CX models.

Text Codes:

AR - As Required

NA - Not Available

NS - Not Shown

00000000 - See Note

QTY - Quantity Example (QTY 3) (If Quantity not shown, Quantity = 1)

M - Model Example (M1) (If M Code not shown, then part is used on all Models)

Expanded Model and Color Nomenclature:

Example	
M1 - Model#1	P _____
M2 - Model#2	P _____
M3 - Model#3	P _____

Functional Parts

Part

No: Description:

10735102	BECKETT BURNER (QTY AR)
20190601	BLOWER-I.D.
D6879746	CAPACITOR (M2, M3, M4, M8, M9, M10, M14, M15, M16)
D6879740	CAPACITOR (M6, M12, M18)
D6879748	CAPACITOR (M1, M5, M7, M11, M13, M17)
10207717	CONTROL-INTEG (M7, M8, M9, M10, M11, M12, M13, M14, M15, M16, M17, M18)
10207714	CONTROL-INTEG (M1, M2, M3, M4, M5, M6)
10735201	FLAME-SENSOR
20276008	HARNESS-WIRING (M13, M14, M15, M16, M17, M18)
20200908	HARNESS-WIRING (CIRCULATOR BLOWER)
20276006	HARNESS-WIRING (MAIN) (M1, M2, M3, M4, M5, M6, M7, M8, M9, M10, M11, M12)
20194411	HEAT EXCHANGER ASSY 2B (M13)
20194401	HEAT EXCHANGER ASSY 2B (M1, M7)
20194402	HEAT EXCHANGER ASSY 3B (M2, M8)
20194403	HEAT EXCHANGER ASSY 3B (M3, M9)
20194412	HEAT EXCHANGER ASSY 3B (M14)
20194413	HEAT EXCHANGER ASSY 3B (M15)
20194405	HEAT EXCHANGER ASSY 4B (M5, M11)
20194414	HEAT EXCHANGER ASSY 4B (M16)
20194404	HEAT EXCHANGER ASSY 4B (M4, M10)
20194415	HEAT EXCHANGER ASSY 4B (M17)
20194406	HEAT EXCHANGER ASSY 5B (M6, M12)
20194416	HEAT EXCHANGER ASSY 5B (M18)
20165702	IGNITOR (M1, M2, M3, M4, M5, M6)
11111701	IGNITOR-SINI (M7, M8, M9, M10, M11, M12, M13, M14, M15, M16, M17, M18)
20162904	LIMIT (PRIMARY) (M4, M10, M16)
20162906	LIMIT (PRIMARY) (M1, M2, M3, M5, M7, M8, M9, M11, M13, M14, M15, M17)
20162907	LIMIT (PRIMARY) (M6, M12, M18)
10123518	LIMIT-RESET MAN (AUXILIARY) (M3, M4, M5, M9, M11, M15, M17)
10123519	LIMIT-RESET MAN (AUXILIARY) (M1, M2, M6, M7, M8, M10, M12, M13, M14, M16, M18)
10123517	LIMIT-RESET MAN (ROLLOUT) (M1, M2, M3, M4, M5, M6, M7, M8, M9, M10, M11, M12, M13, M14, M15, M18)
10123534	LIMIT-RESET MAN (ROLLOUT) (M10, M11, M16, M17)
10759309	MOTOR BLOWER 1/2 HP (M3, M4, M9, M10, M15, M16)
10759311	MOTOR-BLOWER 1/2 HP (M6, M12, M18)
10759310	MOTOR-BLOWER 1/2 HP (M2, M8, M14)
10759212	MOTOR-BLOWER 1/3 HP (M7, M13)
10759211	MOTOR-BLOWER 1/3 HP (M1)
10759415	MOTOR-BLOWER 3/4 HP (M5, M11, M17)
10716003	ORIFICE (QTY AR)
10690401	SWITCH-INTERLOCK (M1, M2, M3, M4, M5, M6)
10690402	SWITCH-INTERLOCK (M7, M8, M9, M10, M11, M12, M13, M14, M15, M16, M17, M18)
20197306	SWITCH-PRESSURE (QTY 2)
C6349703	TRANSFORMER
C6476910	VALVE-GAS (M7, M8, M9, M10, M11, M12, M13, M14, M15, M16, M17, M18)
C6476907	VALVE-GAS (M1, M2, M3, M4, M5, M6)
D6723321	WHEEL-BLOWER (M1, M7, M13)
D6723311	WHEEL-BLOWER (M6, M12, M18)
D6723319	WHEEL-BLOWER (M2, M8, M14)
D6723320	WHEEL-BLOWER (M3, M4, M5, M9, M10, M11, M15, M16, M17)

Functional Parts

Part

No: Description:

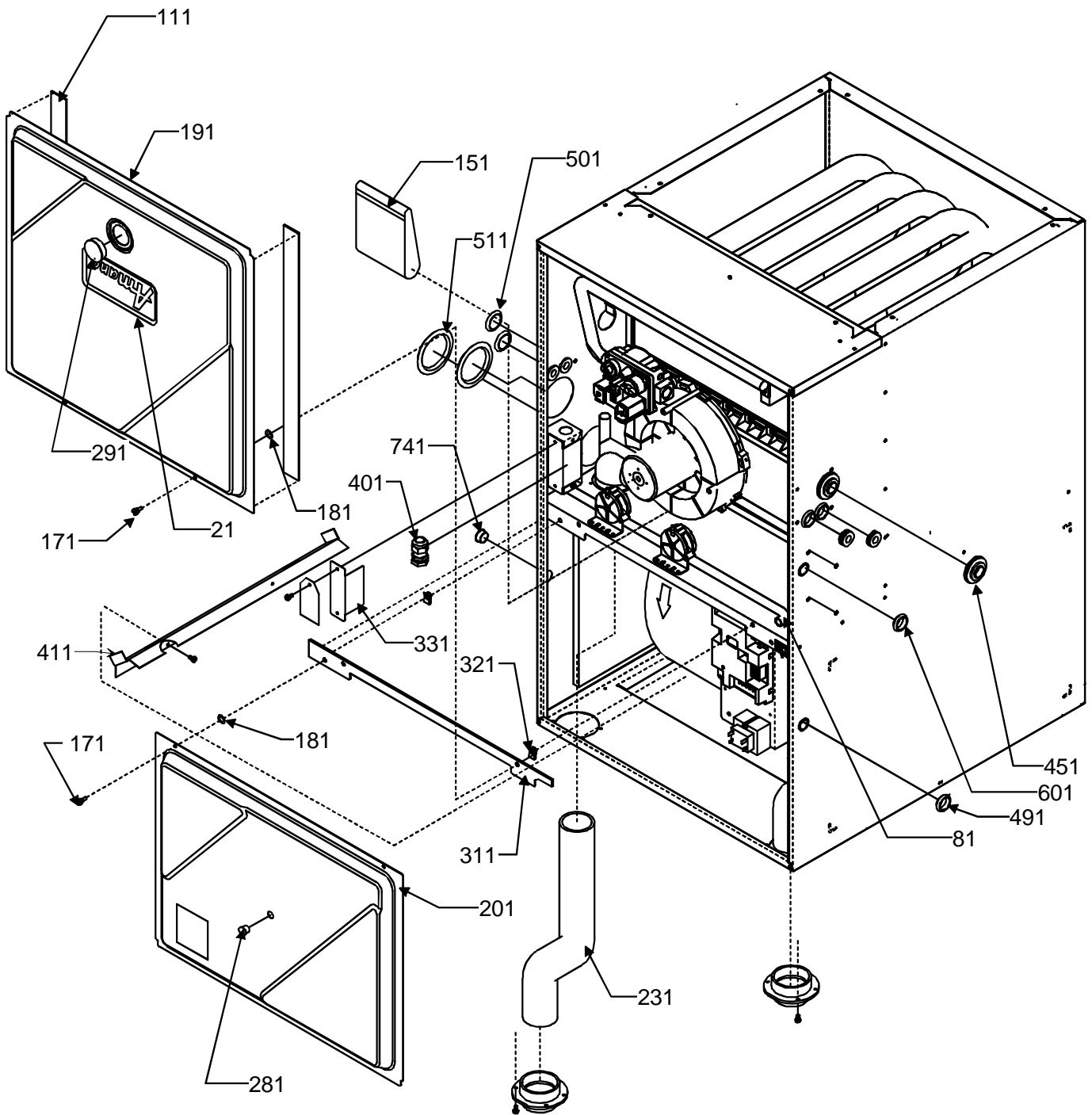
SPECIAL PARTS

20490402	CERT-WARRANTY
20201902	HOSE-DRAIN
10318735	INSTRUCT-INSTALL (M1, M2, M3, M4, M5, M6)
10318740	INSTRUCT-INSTALL (M13, M14, M15, M16, M17, M18)
10318737	INSTRUCT-INSTALL (M7, M8, M9, M10, M11, M12)
10318824	MANUAL-USERS (M1, M2, M3, M4, M5, M6, M7, M8, M9, M10, M11, M12)
10318827	MANUAL-USERS (M13, M14, M15, M16, M17, M18)
20213211	NAMEPLATE-AMANA
RP6610025	PARTS MANUAL
10261301S	SCREEN-VENT (M7, M8, M9, M10, M11, M12)
10261302S	SCREEN-VENT (M7, M8, M9, M10, M11, M12)
RS6610002	SERVICE MANUAL
11134637	SPEC SHT-C'FLOW (M1, M2, M3, M4, M5, M6)
11134649	SPEC SHT-C'FLOW (M7, M8, M9, M10, M11, M12)
10195512	STNDPIPE BAG ASSY
RT6612005	TECHNICAL INFORMATION (M7, M8, M9, M10, M11, M12, M13, M14, M15, M16, M17, M18)
RT6612001	TECHNICAL INFORMATION (M1, M2, M3, M4, M5, M6)

Expanded Model and Color Nomenclature

M1 - GCCA045AX30	P1239401F
M2 - GCCA070AX30	P1239402F
M3 - GCCA070AX40	P1239403F
M4 - GCCA090AX40	P1239404F
M5 - GCCA090AX50	P1239405F
M6 - GCCA115AX50	P1239406F
M7 - GCCA045BX30	P1241701F
M8 - GCCA070BX30	P1241702F
M9 - GCCA070BX40	P1241703F
M10 - GCCA090BX40	P1241704F
M11 - GCCA090BX50	P1241705F
M12 - GCCA115BX50	P1241706F
M13 - GCCA045CX30	P1252701F
M14 - GCCA070CX30	P1252702F
M15 - GCCA070CX40	P1252703F
M16 - GCCA090CX40	P1252704F
M17 - GCCA090CX50	P1252705F
M18 - GCCA115CX50	P1252706F

Cabinet Assembly and Blower Mounting



Cabinet Assembly and Blower Mounting

Ref. Part No: No:	Description:	Ref. Part No: No:	Description:
-------------------	--------------	-------------------	--------------

Image 1:

21	20213211	NAMEPLATE-AMANA
81	20201902	HOSE-DRAIN
111	20179308	GASKET (QTY 2)
151	10195512	STNDPIPE BAG ASSY
171	M0204317	SCREW-MACH (QTY 4)
181	M0273904	RETAINER-SCREW (QTY 4)
191	20177407	DOOR-ACCESS (M5, M6, M11, M12, M17, M18)
191	20273101	DOOR-ACCESS (M1, M2, M7, M8, M13, M14)
191	20273102	DOOR-ACCESS (M3, M4, M9, M10, M15, M16)
201	20177304	DOOR-BLWR (M1, M2, M7, M8, M13, M14)
201	20177305	DOOR-BLWR (M3, M4, M9, M10, M15, M16)
201	20177306	DOOR-BLWR (M5, M6, M11, M12, M17, M18)
231	20190504	PIPE-FLUE FA (QTY AR)
281	11104001	SNAP-BUSHING CLR
291	11104002	SNAP-BUSHING CLR
311	20339301	GASKET-DECK (M1, M2, M7, M8, M13, M14)
311	20339302	GASKET-DECK (M3, M4, M9, M10, M15, M16)
311	20339303	GASKET-DECK (M5, M6, M11, M12, M17, M18)
321	91000301	NUT-U SPEED (QTY 4)
331	10736201	COVER, H.V. BOX (M13, M14, M15, M16, M17, M18)
401	M0571302	BUSHING (M13, M14, M15, M16, M17, M18)
411	10368501	RAIL-FILTER
451	M0501301	GROMMET-PIPE
491	M0570804	PLUG-BUTTON (QTY 4)
501	M0570802	PLUG-BUTTON
511	M0570803	PLUG-BUTTON (QTY 2)
601	A4691701	GROMMET (QTY 2)
741	M0571002	BUSHING-SNAP (QTY 2)
NS	B1410301	HOSE-PRESSURE SW (COIL COVER) (M1, M2, M7, M8, M13, M14)
NS	B1410304	HOSE-PRESSURE SW (COIL COVER) (M3, M4, M5, M6, M9, M10, M11, M12, M15, M16, M17, M18)
NS	B1410311	HOSE-PRESSURE SW (ID BLOWER) (M13, M14, M15, M16, M17, M18)

Expanded Model and Color Nomenclature

M1 - GCCA045AX30	P1239401F
M2 - GCCA070AX30	P1239402F
M3 - GCCA070AX40	P1239403F
M4 - GCCA090AX40	P1239404F
M5 - GCCA090AX50	P1239405F
M6 - GCCA115AX50	P1239406F
M7 - GCCA045BX30	P1241701F
M8 - GCCA070BX30	P1241702F
M9 - GCCA070BX40	P1241703F
M10 - GCCA090BX40	P1241704F
M11 - GCCA090BX50	P1241705F
M12 - GCCA115BX50	P1241706F
M13 - GCCA045CX30	P1252701F
M14 - GCCA070CX30	P1252702F
M15 - GCCA070CX40	P1252703F
M16 - GCCA090CX40	P1252704F
M17 - GCCA090CX50	P1252705F
M18 - GCCA115CX50	P1252706F

Blower Assembly

Image 1

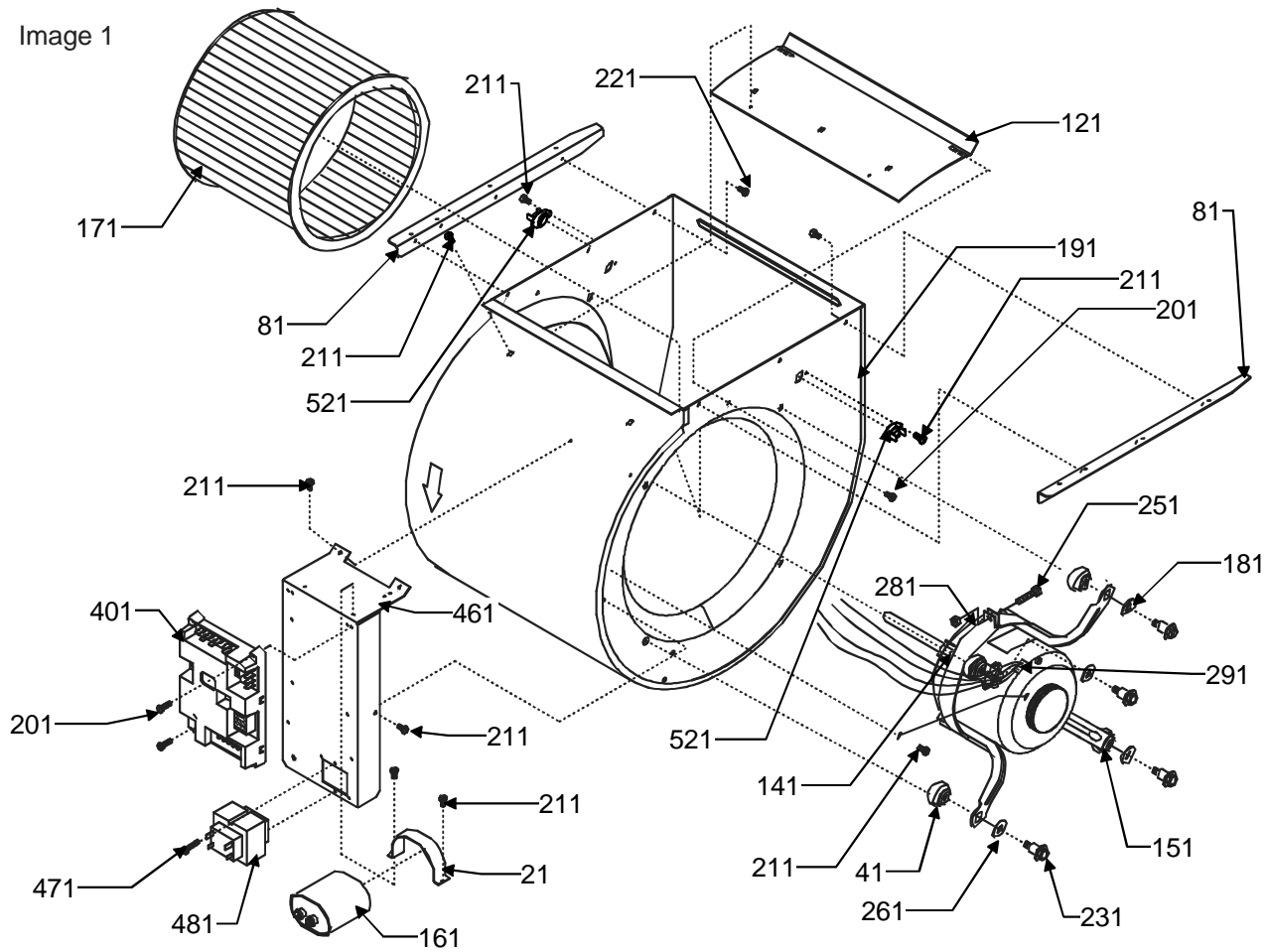
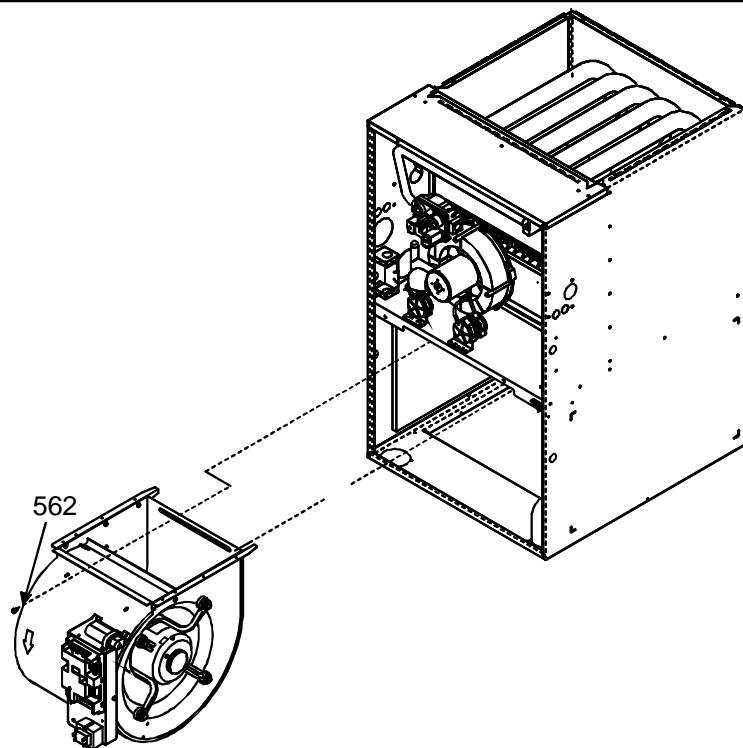


Image 2



Blower Assembly

Ref. Part No:	Part No:	Description:	Ref. Part No:	Part No:	Description:
---------------	----------	--------------	---------------	----------	--------------

Image 1:

21	A3410501	STRAP-CAPACITOR (M2, M3, M4, M6, M8, M9, M10, M12, M14, M15, M16, M18)
21	A4055402	STRAP-CAPACITOR (M1, M5, M7, M11, M13, M17)
41	A4002701	GROMMET (QTY 4)
81	20175101	RAIL-BLWR SIDE (QTY 2)
121	C6121803	CUTOFF (M1, M2, M7, M8, M13, M14)
121	C6121806	CUTOFF (M3, M4, M9, M10, M15, M16)
121	C6121807	CUTOFF (M5, M6, M11, M12, M17, M18)
141	10441601	BAND-MTR MOUNT
151	10441501	ARM-MTR MOUNT (QTY 4)
161	D6879740	CAPACITOR (M6, M12, M18)
161	D6879746	CAPACITOR (M2, M3, M4, M8, M9, M10, M14, M15, M16)
161	D6879748	CAPACITOR (M1, M5, M7, M11, M13, M17)
171	D6723311	WHEEL-BLOWER (M6, M12, M18)
171	D6723319	WHEEL-BLOWER (M2, M8, M14)
171	D6723320	WHEEL-BLOWER (M3, M4, M5, M9, M10, M11, M15, M16, M17)
171	D6723321	WHEEL-BLOWER (M1, M7, M13)
181	10759309	MOTOR BLOWER 1/2 HP (M3, M4, M9, M10, M15, M16)
181	10759310	MOTOR-BLOWER 1/2 HP (M2, M8, M14)
181	10759311	MOTOR-BLOWER 1/2 HP (M6, M12, M18)
181	10759211	MOTOR-BLOWER 1/3 HP (M1)
181	10759212	MOTOR-BLOWER 1/3 HP (M7, M13)
181	10759415	MOTOR-BLOWER 3/4 HP (M5, M11, M17)
191	11185811	HSG WELD-11X10 (M5, M6, M11, M12, M17, M18)
191	11185809	HSG WELD-11X7 (M1, M2, M7, M8, M13, M14)
191	11185810	HSG WELD-11X9 (M3, M4, M9, M10, M15, M16)
201	M0211020	SCREW-SM #8-7/8 (QTY AR)
211	M0219916	SCREW-SM (QTY AR)
221	M0253516	SCREW-TR (QTY 6)
231	20190504	PIPE-FLUE FA (QTY AR)
231	M0221461	SCREW-TC (QTY AR)
251	M0267144	SCREW-MACH
261	M0274008	WASHER-FLAT (QTY 4)
281	M0282015	NUT-KEPS
291	M0321202	TIE-ELEC LG
401	10207714	CONTROL-INTEG (M1, M2, M3, M4, M5, M6)
401	10207717	CONTROL-INTEG (M7, M8, M9, M10, M11, M12, M13, M14, M15, M16, M17, M18)
461	10746205	BRACKET-CONT
471	M0216536	SCREW-SM (QTY 2)
481	C6349703	TRANSFORMER
521	10123518	LIMIT-RESET MAN (AUXILIARY) (M3, M4, M5, M9, M11, M15, M17)
521	10123519	LIMIT-RESET MAN (AUXILIARY) (M1, M2, M6, M7, M8, M10, M12, M13, M14, M16, M18)

Image 2:

562	M0219918	SCREW-SM #8-5/8 (QTY AR)
-----	----------	--------------------------

Expanded Model and Color Nomenclature

M1 - GCCA045AX30	P1239401F
M2 - GCCA070AX30	P1239402F
M3 - GCCA070AX40	P1239403F
M4 - GCCA090AX40	P1239404F
M5 - GCCA090AX50	P1239405F
M6 - GCCA115AX50	P1239406F
M7 - GCCA045BX30	P1241701F
M8 - GCCA070BX30	P1241702F
M9 - GCCA070BX40	P1241703F
M10 - GCCA090BX40	P1241704F
M11 - GCCA090BX50	P1241705F
M12 - GCCA115BX50	P1241706F
M13 - GCCA045CX30	P1252701F
M14 - GCCA070CX30	P1252702F
M15 - GCCA070CX40	P1252703F
M16 - GCCA090CX40	P1252704F
M17 - GCCA090CX50	P1252705F
M18 - GCCA115CX50	P1252706F

Cabinet Assembly

Ref. Part No:	Part No:	Description:	Ref. Part No:	Part No:	Description:																																				
<i>Image 1:</i>			611	A3326008	CLAMP-HOSE (QTY 2)																																				
11	20273501	BASEPAN-C'FLOW (M1, M2, M7, M8, M13, M14)	721	M0218153	SCREW-SM (QTY 2)																																				
11	20273502	BASEPAN-C'FLOW (M3, M4, M9, M10, M15, M16)	741	M0571002	BUSHING-SNAP (QTY 2)																																				
11	20273503	BASEPAN-C'FLOW (M5, M6, M11, M12, M17, M18)	781	M0227803	SCREW-TC																																				
31	20190213	DECK-BLWR (M1, M2, M7, M8, M13, M14)	791	20194604	GASKET (QTY 2)																																				
31	20190214	DECK-BLWR (M3, M4, M9, M10, M15, M16)	811	20194601	GASKET (M1, M2, M7, M8, M13, M14)																																				
31	20190215	DECK-BLWR (M5, M6, M11, M12, M17, M18)	811	20194602	GASKET (M3, M4, M9, M10, M15, M16)																																				
41	20179305	GASKET (M1, M2, M7, M8, M15, M16)	811	20194603	GASKET (M5, M6, M11, M12, M17, M18)																																				
41	20179306	GASKET (M3, M4, M9, M10)	831	20175101	RAIL-BLWR SIDE (QTY 2)																																				
41	20179307	GASKET (M5, M6, M11, M12, M17, M18)	Expanded Model and Color Nomenclature <table border="1"> <tbody> <tr><td>M1 - GCCA045AX30</td><td>P1239401F</td></tr> <tr><td>M2 - GCCA070AX30</td><td>P1239402F</td></tr> <tr><td>M3 - GCCA070AX40</td><td>P1239403F</td></tr> <tr><td>M4 - GCCA090AX40</td><td>P1239404F</td></tr> <tr><td>M5 - GCCA090AX50</td><td>P1239405F</td></tr> <tr><td>M6 - GCCA115AX50</td><td>P1239406F</td></tr> <tr><td>M7 - GCCA045BX30</td><td>P1241701F</td></tr> <tr><td>M8 - GCCA070BX30</td><td>P1241702F</td></tr> <tr><td>M9 - GCCA070BX40</td><td>P1241703F</td></tr> <tr><td>M10 - GCCA090BX40</td><td>P1241704F</td></tr> <tr><td>M11 - GCCA090BX50</td><td>P1241705F</td></tr> <tr><td>M12 - GCCA115BX50</td><td>P1241706F</td></tr> <tr><td>M13 - GCCA045CX30</td><td>P1252701F</td></tr> <tr><td>M14 - GCCA070CX30</td><td>P1252702F</td></tr> <tr><td>M15 - GCCA070CX40</td><td>P1252703F</td></tr> <tr><td>M16 - GCCA090CX40</td><td>P1252704F</td></tr> <tr><td>M17 - GCCA090CX50</td><td>P1252705F</td></tr> <tr><td>M18 - GCCA115CX50</td><td>P1252706F</td></tr> </tbody> </table>			M1 - GCCA045AX30	P1239401F	M2 - GCCA070AX30	P1239402F	M3 - GCCA070AX40	P1239403F	M4 - GCCA090AX40	P1239404F	M5 - GCCA090AX50	P1239405F	M6 - GCCA115AX50	P1239406F	M7 - GCCA045BX30	P1241701F	M8 - GCCA070BX30	P1241702F	M9 - GCCA070BX40	P1241703F	M10 - GCCA090BX40	P1241704F	M11 - GCCA090BX50	P1241705F	M12 - GCCA115BX50	P1241706F	M13 - GCCA045CX30	P1252701F	M14 - GCCA070CX30	P1252702F	M15 - GCCA070CX40	P1252703F	M16 - GCCA090CX40	P1252704F	M17 - GCCA090CX50	P1252705F	M18 - GCCA115CX50	P1252706F
M1 - GCCA045AX30	P1239401F																																								
M2 - GCCA070AX30	P1239402F																																								
M3 - GCCA070AX40	P1239403F																																								
M4 - GCCA090AX40	P1239404F																																								
M5 - GCCA090AX50	P1239405F																																								
M6 - GCCA115AX50	P1239406F																																								
M7 - GCCA045BX30	P1241701F																																								
M8 - GCCA070BX30	P1241702F																																								
M9 - GCCA070BX40	P1241703F																																								
M10 - GCCA090BX40	P1241704F																																								
M11 - GCCA090BX50	P1241705F																																								
M12 - GCCA115BX50	P1241706F																																								
M13 - GCCA045CX30	P1252701F																																								
M14 - GCCA070CX30	P1252702F																																								
M15 - GCCA070CX40	P1252703F																																								
M16 - GCCA090CX40	P1252704F																																								
M17 - GCCA090CX50	P1252705F																																								
M18 - GCCA115CX50	P1252706F																																								
41	20215701	GASKET-COIL (M1, M2, M3, M4, M5, M6, M7, M8, M13, M14, M15, M16, M17, M18)																																							
41	20215702	GASKET-COIL (M9, M10, M13, M14, M15, M16, M17, M18)																																							
41	20215703	GASKET-COIL (M11, M12)																																							
81	20273204	PANEL-BACK (M1, M2, M7, M8, M13, M14)																																							
81	20273205	PANEL-BACK (M3, M4, M9, M10, M15, M16)																																							
81	20273206	PANEL-BACK (M5, M6, M11, M12, M17, M18)																																							
91	C6415907	INSUL-HEAT EXCHANGER (M1, M2, M7, M8, M13, M14)																																							
91	C6415908	INSUL-HEAT EXCHANGER (M3, M4, M9, M10, M15, M16)																																							
91	C6415909	INSUL-HEAT EXCHANGER (M5, M6, M11, M12, M17, M18)																																							
101	20191301	RAIL-DECK (M1, M2, M7, M8, M13, M14)																																							
101	20191302	RAIL-DECK (M3, M4, M9, M10, M15, M16)																																							
101	20191303	RAIL-DECK (M5, M6, M11, M12, M17, M18)																																							
111	20194513	COVER ASSY (M1, M2, M7, M8, M13, M14)																																							
111	20194514	COVER ASSY (M3, M4, M9, M10, M15, M16)																																							
111	20194515	COVER ASSY (M5, M6, M11, M12, M17, M18)																																							
121	20191601	RAIL-SIDE (QTY 2)																																							
141	20193406	PANEL-L SIDE																																							
151	20193306	PANEL-R SIDE																																							
161	20006601	INSULATION (M1, M2, M7, M8, M13, M14)																																							
161	20006602	INSULATION (M3, M4, M9, M10, M15, M16)																																							
161	20006603	INSULATION (M5, M6, M11, M12, M17, M18)																																							
171	20006604	INSULATION-SIDE (QTY 2)																																							
221	10690401	SWITCH-INTERLOCK (M1, M2, M3, M4, M5, M6)																																							
221	10690402	SWITCH-INTERLOCK (M7, M8, M9, M10, M11, M12, M13, M14, M15, M16, M17, M18)																																							
231	20190504	PIPE-FLUE FA (QTY AR)																																							
241	20171801	ELBOW																																							
271	20190601	BLOWER-I.D.																																							
281	20049701	COUPLING-FA (QTY AR)																																							
301	20197306	SWITCH-PRESSURE (QTY 2)																																							
311	10736102	BOX-HIGH VOLT																																							
391	M0275521	SEALER-PLASTIC (QTY AR)																																							
421	A4554801	BUSHING-SNAP																																							
521	M0218154	SCREW-SM (QTY 2)																																							
531	M0270544	WASHER-FLAT (QTY 4)																																							
541	M0216716	SCREW-SM (QTY AR)																																							
551	M0219916	SCREW-SM (QTY AR)																																							
561	M0219918	SCREW-SM #8-5/8 (QTY AR)																																							

Heat Exchanger/Manifold Assembly

Image 1

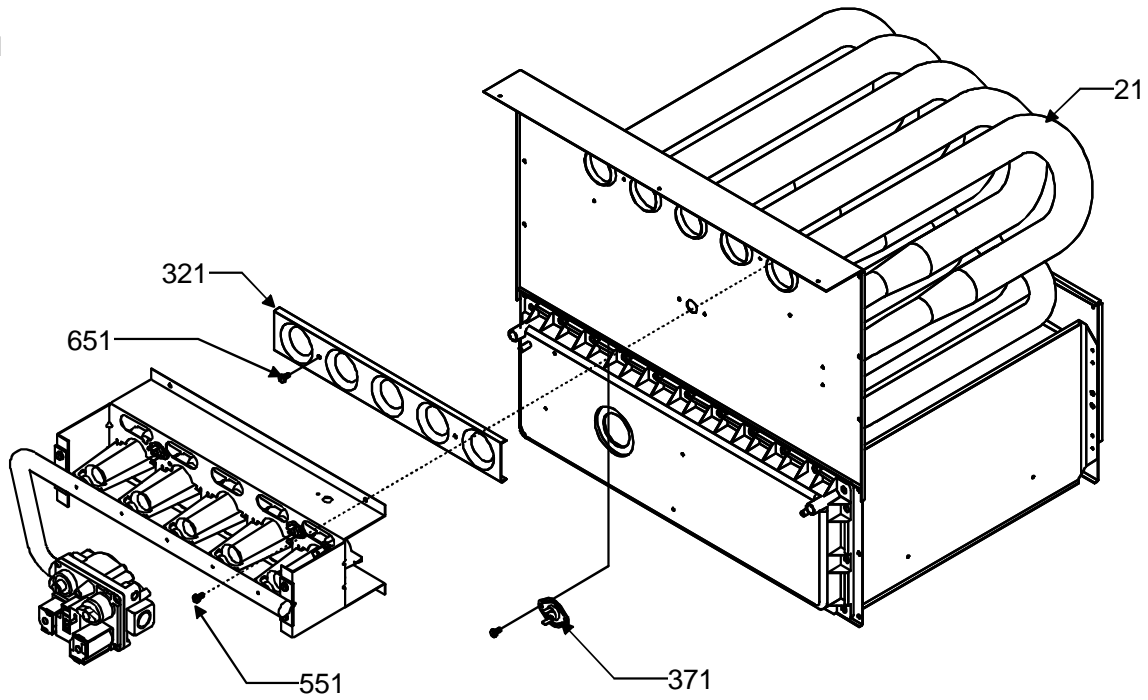
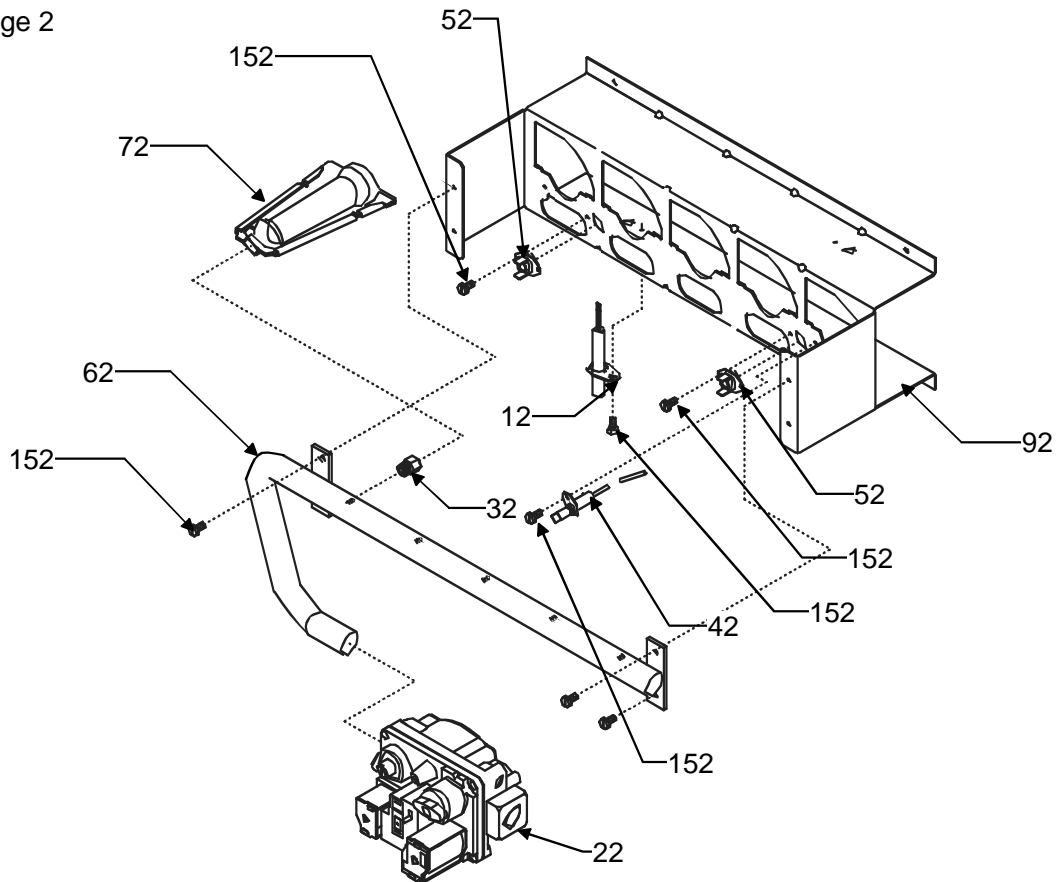


Image 2



Heat Exchanger/Manifold Assembly

Ref. Part No: No:	Description:	Ref. Part No: No:	Description:
-------------------	--------------	-------------------	--------------

Image 1:

21	20194401	HEAT EXCHANGER ASSY 2B (M1, M7)
21	20194402	HEAT EXCHANGER ASSY 3B (M2, M8)
21	20194403	HEAT EXCHANGER ASSY 3B (M3, M9)
21	20194404	HEAT EXCHANGER ASSY 4B (M4, M10)
21	20194405	HEAT EXCHANGER ASSY 4B (M5, M11)
21	20194406	HEAT EXCHANGER ASSY 5B (M6, M12)
51	20194411	HEAT EXCHANGER ASSY 2B (M13)
51	20194412	HEAT EXCHANGER ASSY 3B (M14)
51	20194413	HEAT EXCHANGER ASSY 3B (M15)
51	20194414	HEAT EXCHANGER ASSY 4B (M16)
51	20194415	HEAT EXCHANGER ASSY 4B (M17)
51	20194416	HEAT EXCHANGER ASSY 5B (M18)
321	11072201	SHIELD-ORF (M1, M7)
321	11072202	SHIELD-ORF (M2, M3, M8, M9, M13, M14, M15)
321	11072203	SHIELD-ORF (M4, M5, M10, M11, M16, M17)
321	11072204	SHIELD-ORF (M6, M12, M18)
371	20162904	LIMIT (PRIMARY) (M4, M10, M16)
371	20162906	LIMIT (PRIMARY) (M1, M2, M3, M5, M7, M8, M9, M11, M13, M14, M15, M17)
371	20162907	LIMIT (PRIMARY) (M6, M12, M18)
551	M0219916	SCREW-SM (QTY AR)
651	M0211020	SCREW-SM #8-7/8 (QTY AR)

Image 2:

12	20165702	IGNITOR (M1, M2, M3, M4, M5, M6)
12	11111701	IGNITOR-SINI (M7, M8, M9, M10, M11, M12, M13, M14, M15, M16, M17, M18)
22	C6476907	VALVE-GAS (M1, M2, M3, M4, M5, M6)
22	C6476910	VALVE-GAS (M7, M8, M9, M10, M11, M12, M13, M14, M15, M16, M17, M18)
32	10716003	ORIFICE (QTY AR)
42	10735201	FLAME-SENSOR
52	10123517	LIMIT-RESET MAN (ROLLOUT) (M1, M2, M3, M4, M5, M6, M7, M8, M9, M10, M11, M12, M13, M14, M15, M18)
52	10123534	LIMIT-RESET MAN (ROLLOUT) (M10, M11, M16, M17)
62	20196401	MANIFOLD (M1, M7, M13)
62	20196402	MANIFOLD (M2, M3, M8, M9, M14, M15)
62	20196403	MANIFOLD (M4, M5, M10, M11, M16, M17)
62	20196404	MANIFOLD (M6, M12, M18)
72	10735102	BECKETT BURNER (QTY AR)
92	20190405	BRKT-BURNER 2B (M1, M7, M13)
92	20190407	BRKT-BURNER 3B (M2, M3, M8, M9, M14, M15)
92	20190408	BRKT-BURNER 4B (M4, M5, M10, M11, M16, M17)
92	20190409	BRKT-BURNER 5B (M6, M12, M18)
152	M0219916	SCREW-SM (QTY AR)

Expanded Model and Color Nomenclature

M1 - GCCA045AX30	P1239401F
M2 - GCCA070AX30	P1239402F
M3 - GCCA070AX40	P1239403F
M4 - GCCA090AX40	P1239404F
M5 - GCCA090AX50	P1239405F
M6 - GCCA115AX50	P1239406F
M7 - GCCA045BX30	P1241701F
M8 - GCCA070BX30	P1241702F
M9 - GCCA070BX40	P1241703F
M10 - GCCA090BX40	P1241704F
M11 - GCCA090BX50	P1241705F
M12 - GCCA115BX50	P1241706F
M13 - GCCA045CX30	P1252701F
M14 - GCCA070CX30	P1252702F
M15 - GCCA070CX40	P1252703F
M16 - GCCA090CX40	P1252704F
M17 - GCCA090CX50	P1252705F
M18 - GCCA115CX50	P1252706F

Recupe Coil Assembly

Image 1

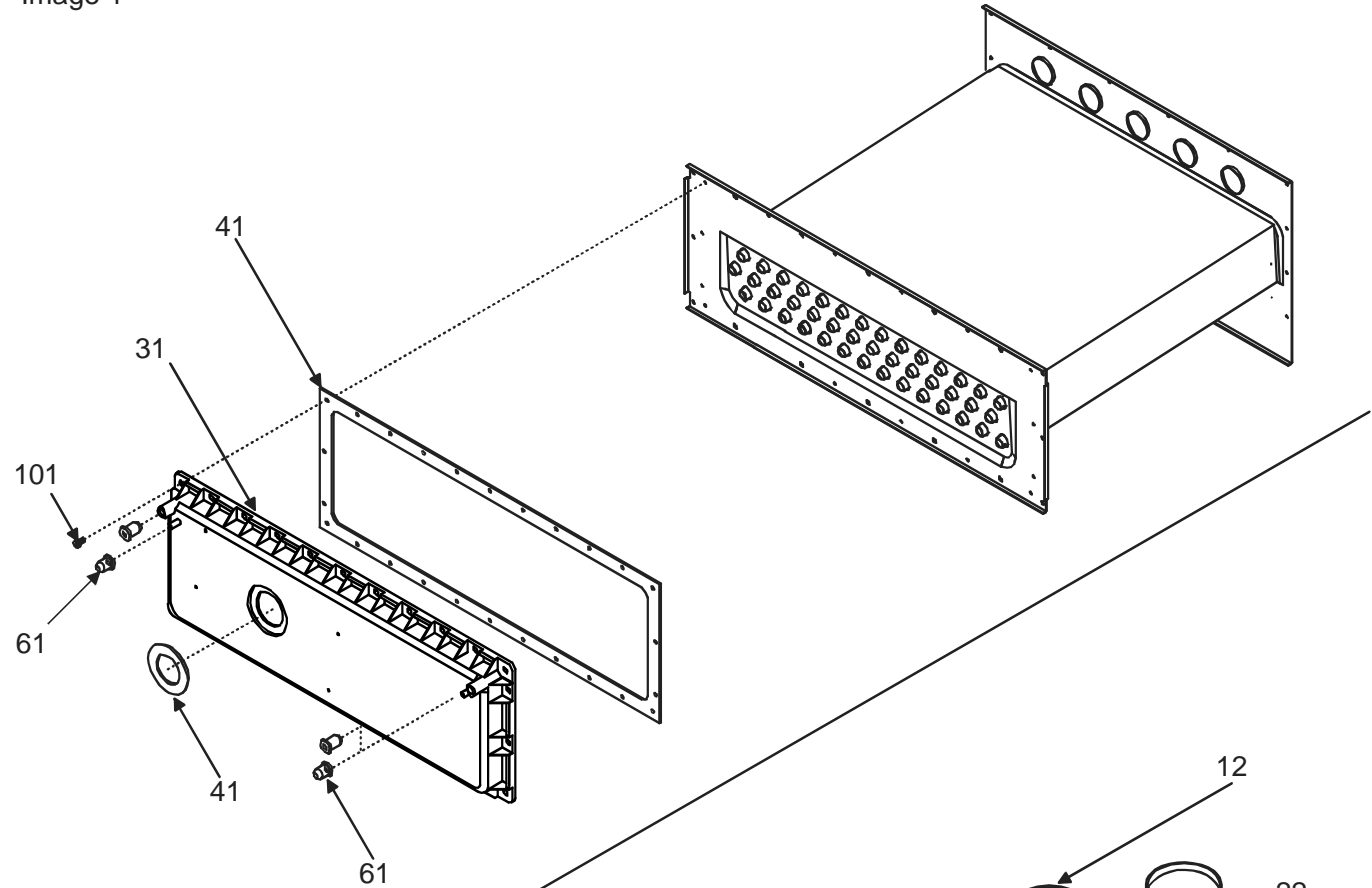
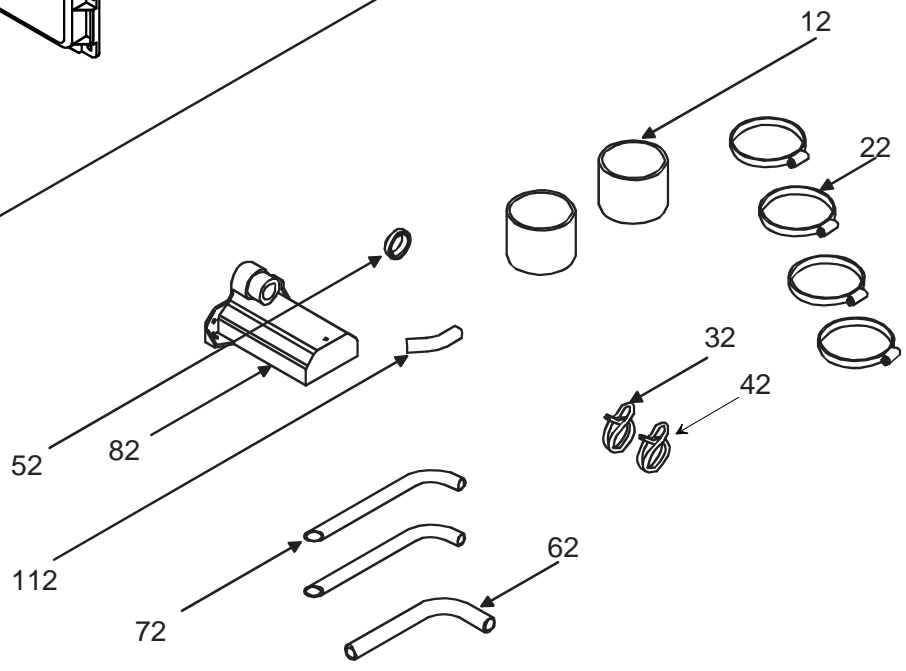


Image 2



Recupe Coil Assembly

Ref. Part No:	Part No:	Description:	Ref. Part No:	Part No:	Description:
---------------	----------	--------------	---------------	----------	--------------

Image 1:

31	20170801	COVER-FRONT (M1, M7, M13)
31	20170802	COVER-FRONT (M2, M8, M14)
31	20170901	COVER-FRONT (M3, M9, M15)
31	20170902	COVER-FRONT (M4, M10, M16)
31	20171001	COVER-FRONT (M5, M11, M17)
31	20171002	COVER-FRONT (M6, M12, M18)
41	20179305	GASKET (M1, M2, M7, M8, M13, M14)
41	20179306	GASKET (M3, M4, M9, M10, M15, M16)
41	20179307	GASKET (M5, M6, M11, M12, M17, M18)
61	M0326804	PLUG-TUBE (QTY 4)
101	M0211031	SCREW-SM #10-5/8 (QTY AR)

Image 2:

12	10254303	COUPLING-RUBBER (QTY 2)
22	A3326008	CLAMP-HOSE (QTY 4)
32	M0119207	CLAMP-HOSE (RED) (QTY 2)
42	M0119205	HOSE CLAMP (GREEN) (M13, M14, M15, M16, M17, M18)
52	M0570804	PLUG-BUTTON
62	20201901	HOSE-DRAIN
72	20201801	TUBE-DRAIN (QTY 2)
82	20171701	DRAIN TRAP
112	20214202	DRAIN-ANGLE

Expanded Model and Color Nomenclature

M1 - GCCA045AX30	P1239401F
M2 - GCCA070AX30	P1239402F
M3 - GCCA070AX40	P1239403F
M4 - GCCA090AX40	P1239404F
M5 - GCCA090AX50	P1239405F
M6 - GCCA115AX50	P1239406F
M7 - GCCA045BX30	P1241701F
M8 - GCCA070BX30	P1241702F
M9 - GCCA070BX40	P1241703F
M10 - GCCA090BX40	P1241704F
M11 - GCCA090BX50	P1241705F
M12 - GCCA115BX50	P1241706F
M13 - GCCA045CX30	P1252701F
M14 - GCCA070CX30	P1252702F
M15 - GCCA070CX40	P1252703F
M16 - GCCA090CX40	P1252704F
M17 - GCCA090CX50	P1252705F
M18 - GCCA115CX50	P1252706F