

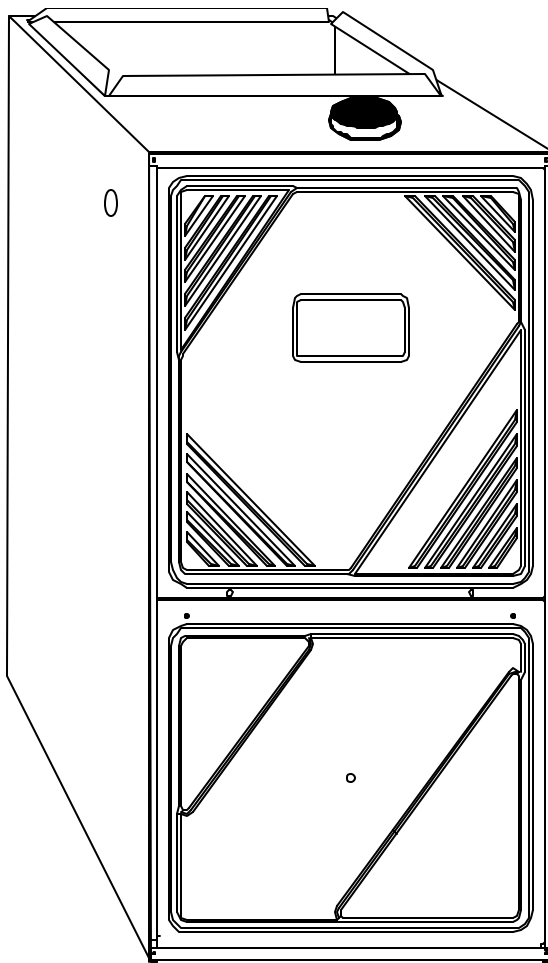
Models and manufacturing  
numbers in this manual

GUIE045EX30	P1241001F
GUIE070EX40	P1241003F
GUIE090EX40	P1241004F
GUIE090EX50	P1241005F
GUIE115EX50	P1241007F

# Parts

## GUIE 80% Efficient Gas Furnace Unit

This manual replaces RP6621001 Revision 0.



This manual is to be used by qualified appliance technicians only. Amana does not assume any responsibility for property damage or personal injury for improper service procedures performed by an unqualified person.

**A** Heating & Air Conditioning  
**Amana**  
Comfort. Quality. Trust.

RP6621001  
Revision 1  
June 2002

## Important Information

---

Amana is not responsible for personal injury or property damage resulting from improper service. Review all service information before beginning repairs.

Warranty service must be performed by an authorized technician, using authorized factory parts. If service is required after the warranty expires, Amana also recommends contacting an authorized technician and using authorized factory parts.

For assistance within the U.S.A. contact:

Consumer Affairs Department  
Amana Heating and Air Conditioning  
1810 Wilson Parkway  
Fayetteville, TN 37334  
877-254-4729-Telephone  
931-438-2922-Facsimile

For assistance outside the U.S.A. contact:

International Division  
Amana Heating and Air Conditioning  
1810 Wilson Parkway  
Fayetteville, TN 37334  
931-438-3632-Telephone  
931-438-2922-Facsimile

# Index

Functional Parts List .....	5
Illustration and Parts .....	6 - 15

*Views shown are for parts illustrations only, not servicing procedures.*

Revisin 1 Updated Specification Sheet.

### Text Codes:

AR - As Required

NA - Not Available

NS - Not Shown

00000000 - See Note

QTY - Quantity Example (QTY 3) (If Quantity not shown, Quantity = 1)

M - Model Example (M1) (If M Code not shown, then part is used on all Models)

### Expanded Model and Color Nomenclature:

Example	
M1 - Model#1	P _____
M2 - Model#2	P _____
M3 - Model#3	P _____



# Functional Parts

**Part**

**No: Description:**

---

10735102	BECKETT BURNER (QTY AR)
20044402	BLOWER ID
D6879740	CAPACITOR (M3)
D6879748	CAPACITOR (M4, M5)
D6879756	CAPACITOR (M2)
D6879752	CAPACITOR (M1)
10207715	CONTROL-INTEG
10735201	FLAME-SENSOR
20200905	HARNESS-WIRING (BLOWER)
20302201	HARNESS-WIRING (MAIN)
20165703	IGNITOR
10728339	LIMIT PRIMARY (M2, M5)
10123538	LIMIT-MAN (ROLLOUT) (M2, M3, M4)
10728330	LIMIT-PRIMARY (M1, M3, M4)
10123519	LIMIT-RESET MAN (AUXILIARY)
10123528	LIMIT-RESET MAN (ROLLOUT) (M1)
10123527	LIMIT-RESET MAN(ROLLOUT) (M5)
20046615	MOTOR-BLOW 1/2 HP (M2)
20046614	MOTOR-BLOW 1/3 HP (M1)
10759416	MOTOR-BLOW 3/4 HP (M4)
10759417	MOTOR-BLOW 3/4 HP (M5)
20046617	MOTOR-BLOW 3/4 HP (M3)
10716003	ORIFICE (QTY AR)
10690401	SWITCH-INTERLOCK
10727923	SWITCH-PRESSURE
10727921	SWITCH-PRESSURE
C6349703	TRANSFORMER
C6476910	VALVE-GAS
D6723303	WHEEL-BLOWER (M3)
D6723311	WHEEL-BLOWER (M5)
D6723310	WHEEL-BLOWER (M1, M2)
D6723320	WHEEL-BLOWER (M4)

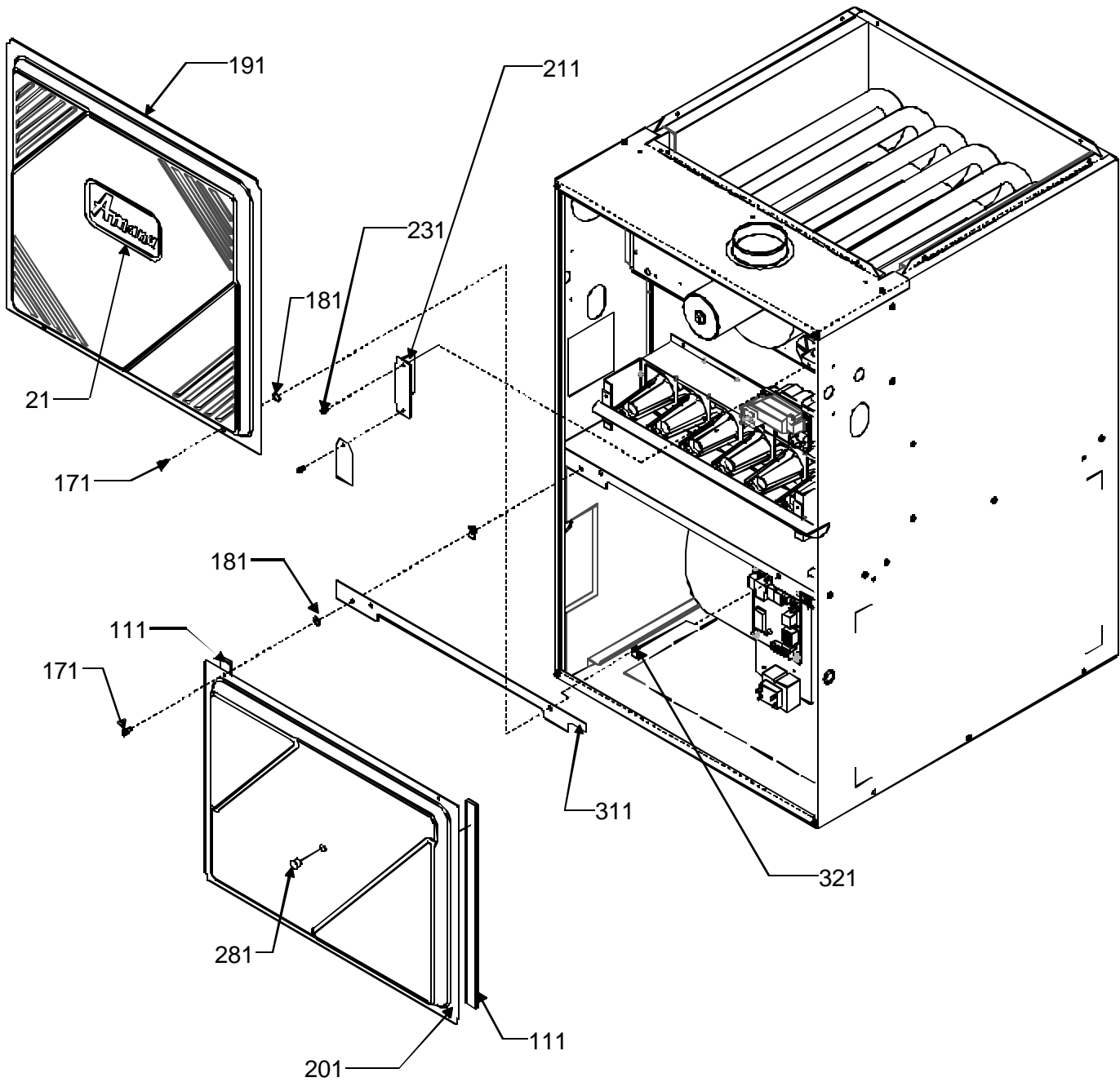
**SPECIAL PARTS**

10758012	CERT-WARRANTY
10759828	INSTRUC-INSTALL
RP6621001	MANUAL-PARTS
10759621	MANUAL-USERS
RS6600001	SERVICE MANUAL
11110630	SPECIFICATION SHEET
RT6621008	TECHNICAL MANUAL

**Expanded Model and Color Nomenclature**

M1 - GUIE045EX30	P1241001F
M2 - GUIE070EX40	P1241003F
M3 - GUIE090EX40	P1241004F
M4 - GUIE090EX50	P1241005F
M5 - GUIE115EX50	P1241007F

# Cabinet Assembly



# Cabinet Assembly

Ref. Part No:	No:	Description:	Ref. Part No:	No:	Description:
---------------	-----	--------------	---------------	-----	--------------

Image 1:

21	20275302	NAMEPLATE-AMANA
111	10839825	GASKET (QTY 2)
171	M0204317	SCREW-MACH (QTY 4)
181	M0273904	RETAINER-SCREW (QTY 4)
191	20177408	DOOR-ACCESS (M1, M2)
191	20177409	DOOR-ACCESS (M3, M4)
191	20177410	DOOR-ACCESS (M5)
201	20177304	DOOR-BLWR (M1, M2)
201	20177305	DOOR-BLWR (M3, M4)
201	20177306	DOOR-BLWR (M5)
211	10736201	COVER-HV BOX
231	M0216529	SCREW-SM (QTY 4)
281	11104001	SNAP-BUSHING CLR
311	20339301	GASKET-DECK (M1, M2)
311	20339302	GASKET-DECK (M3, M4)
311	20339303	GASKET-DECK (M5)
321	91000301	NUT-U SPEED (QTY 4)

## Expanded Model and Color Nomenclature

M1 - GUIE045EX30	P1241001F
M2 - GUIE070EX40	P1241003F
M3 - GUIE090EX40	P1241004F
M4 - GUIE090EX50	P1241005F
M5 - GUIE115EX50	P1241007F

# Partition & Manifold Tube Assemblies

Image 1

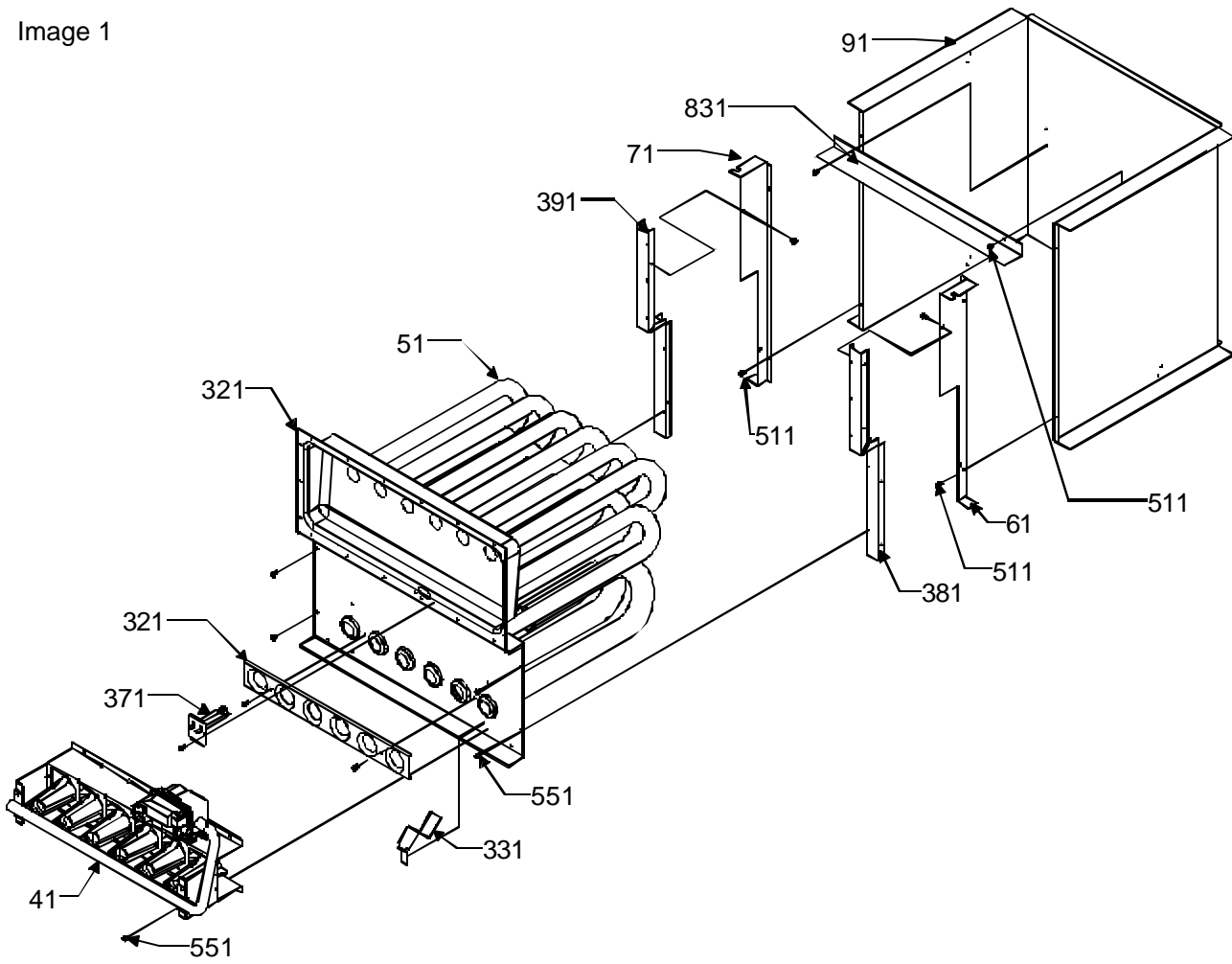
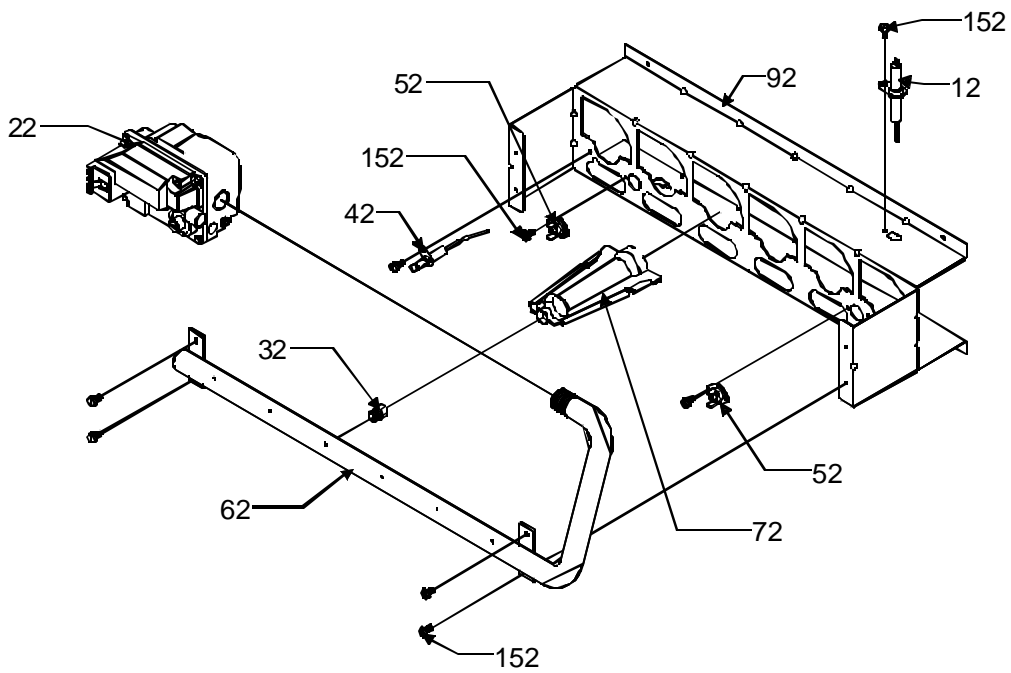


Image 2



# Partition & Manifold Tube Assemblies

Ref. Part No:	Ref. Part No:	Description:	Description:
---------------	---------------	--------------	--------------

Image 1:

41	20301401	MANIFOLD ASSY 2B (M1)
41	20301402	MANIFOLD ASSY 3B (M2)
41	20301403	MANIFOLD ASSY 4B (M3, M4)
41	20301404	MANIFOLD ASSY 5B (M5)
51	11113120	PART/TUBE ASSY 2B (M1)
51	11113121	PART/TUBE ASSY 3B (M2)
51	11113122	PART/TUBE ASSY 4B (M3, M4)
51	11113123	PART/TUBE ASSY 5B (M5)
61	10728601	BRACKET-LINER
71	10728602	BRACKET-LINER
91	10728707	LINER-CAB (M1)
91	10728708	LINER-CAB (M2)
91	10728709	LINER-CAB (M3, M4)
91	10728710	LINER-CAB (M5)
321	11072201	SHIELD-ORF (M1)
321	11072202	SHIELD-ORF (M2)
321	11072203	SHIELD-ORF (M3, M4)
321	11072204	SHIELD-ORF (M5)
331	10624003	INSERT-MESH TUBE (QTY AR)
371	10728339	LIMIT PRIMARY (M2, M5)
371	10728330	LIMIT-PRIMARY (M1, M3, M4)
381	10728503	RAIL-PART PNL
391	10728504	RAIL-PART PNL
511	M0224303	SCREW-SM (QTY 10)
551	M0219916	SCREW-SM (QTY AR)
831	11008302	BAFFLE-LINER (M2)
831	11008303	BAFFLE-LINER (M3, M4)
831	11008304	BAFFLE-LINER (M5)
831	11008306	BAFFLE-LINER (M1)

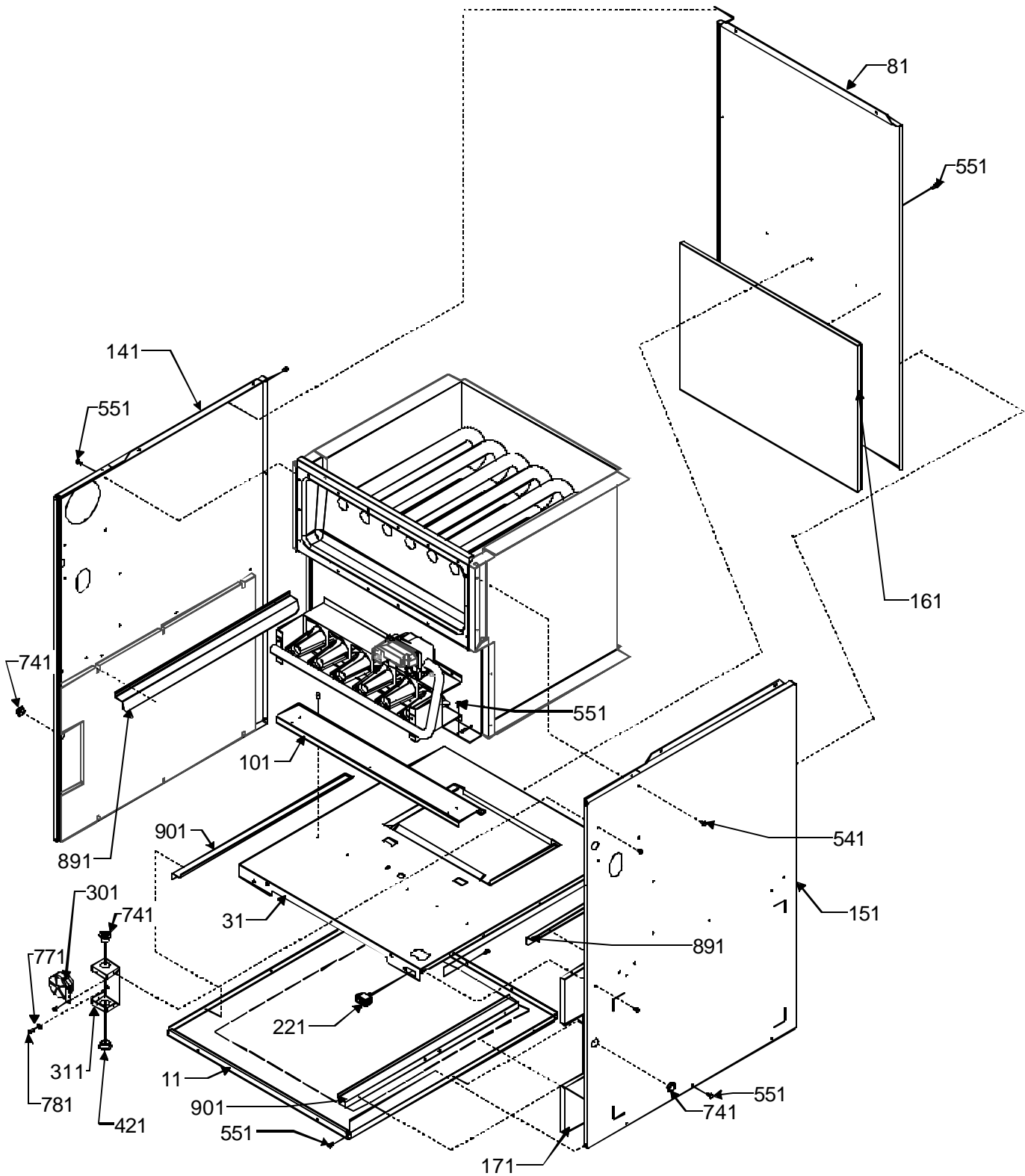
Image 2:

12	20165703	IGNITOR
22	C6476910	VALVE-GAS
32	10716003	ORIFICE (QTY AR)
42	10735201	FLAME-SENSOR
52	10123538	LIMIT-MAN (ROLLOUT) (M2, M3, M4)
52	10123528	LIMIT-RESET MAN (ROLLOUT) (M1)
52	10123527	LIMIT-RESET MAN(ROLLOUT) (M5)
62	20301801	MANIFOLD 2B (M1)
62	20301802	MANIFOLD 3B (M2)
62	20301803	MANIFOLD 4B (M3, M4)
62	20301804	MANIFOLD 5B (M5)
72	10735102	BECKETT BURNER (QTY AR)
92	20190405	BRKT-BURNER 2B (M1)
92	20190407	BRKT-BURNER 3B (M2)
92	20190408	BRKT-BURNER 4B (M3, M4)
92	20190409	BRKT-BURNER 5B (M5)
152	M0219916	SCREW-SM (QTY AR)

Expanded Model and Color Nomenclature

M1 - GUIE045EX30	P1241001F
M2 - GUIE070EX40	P1241003F
M3 - GUIE090EX40	P1241004F
M4 - GUIE090EX50	P1241005F
M5 - GUIE115EX50	P1241007F

# Cabinet Assembly



# Cabinet Assembly

Ref. Part No:	No:	Description:	Ref. Part No:	No:	Description:
---------------	-----	--------------	---------------	-----	--------------

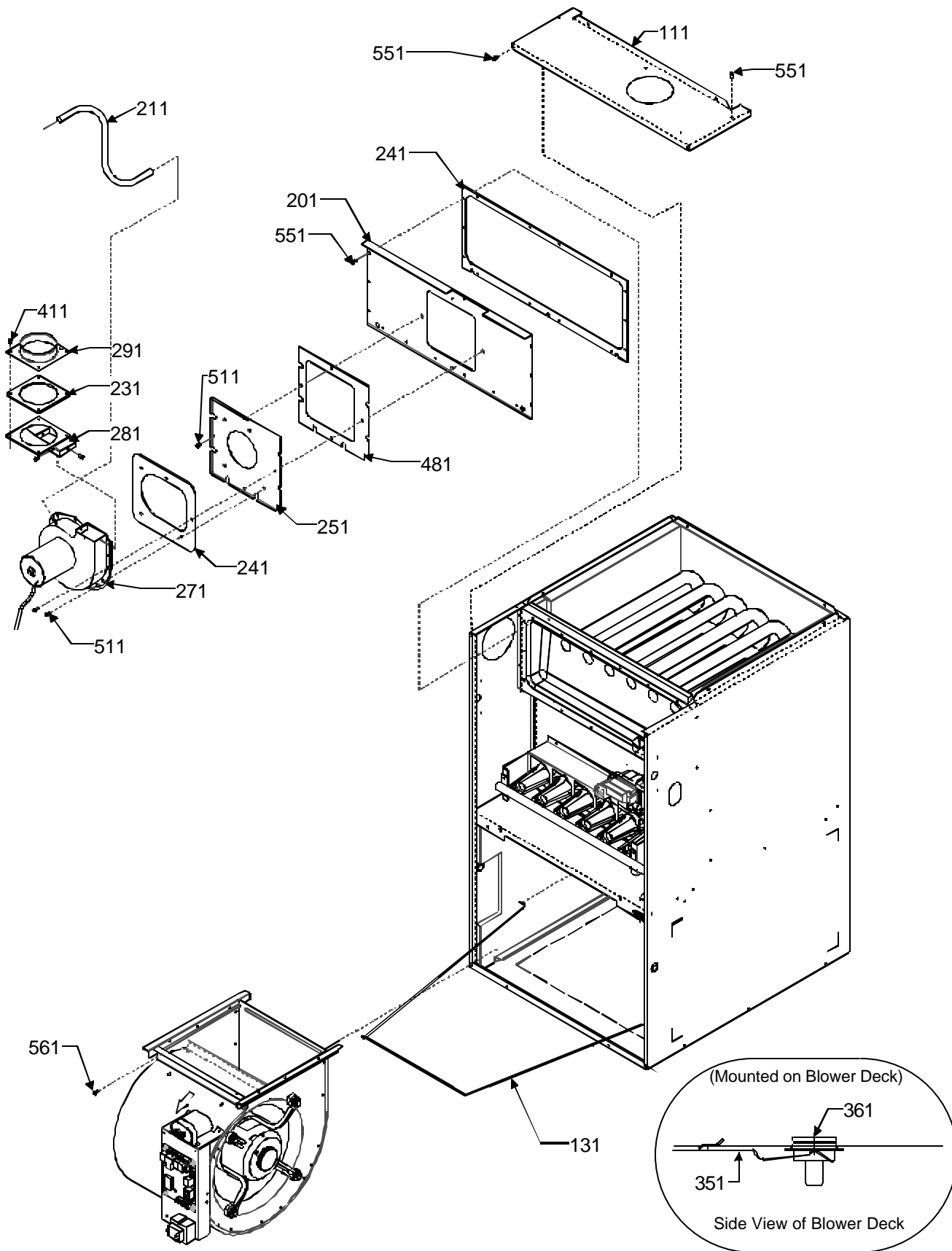
Image 1:

11	20273401	BASEPAN-UPFLOW (M1, M2)
11	20273404	BASEPAN-UPFLOW (M3, M4)
11	20273405	BASEPAN-UPFLOW (M5)
31	20190219	DECK-BLWR (M1, M2)
31	20190220	DECK-BLWR (M3)
31	20190226	DECK-BLWR (M4)
31	20190227	DECK-BLWR (M5)
81	20273201	PANEL-BACK (M1, M2)
81	20273202	PANEL-BACK (M3, M4)
81	20273203	PANEL-BACK (M5)
101	20301901	SUPPORT-PART PNL (M1, M2)
101	20301902	SUPPORT-PART PNL (M3, M4)
101	20301903	SUPPORT-PART PNL (M5)
141	10727018	PANEL-SIDE RH
151	10727118	PANEL-SIDE L
161	20006601	INSULATION (M1, M2)
161	20006602	INSULATION (M4)
161	20006602	INSULATION (M3)
161	20006603	INSULATION (M5)
171	20243501	INSULATION-SIDE (QTY 2)
221	10690401	SWITCH-INTERLOCK
301	10727921	SWITCH-PRESSURE
301	10727923	SWITCH-PRESSURE
311	10736102	BOX-HIGH VOLT
421	A4554801	BUSHING-SNAP
541	M0216716	SCREW-SM (QTY 2)
551	M0219916	SCREW-SM (QTY AR)
741	M0571002	BUSHING-SNAP (QTY 3)
771	M0270001	WASHER-CUP
781	M0227803	SCREW-TC
891	10690301	ANGLE-FILTER (QTY 2)
901	20242801	RAIL-FILTER (QTY 2)

## Expanded Model and Color Nomenclature

M1 - GUIE045EX30	P1241001F
M2 - GUIE070EX40	P1241003F
M3 - GUIE090EX40	P1241004F
M4 - GUIE090EX50	P1241005F
M5 - GUIE115EX50	P1241007F

# Vent System & Controls



# Vent System & Controls

Ref. Part No: No:	Description:	Ref. Part No: No:	Description:
-------------------	--------------	-------------------	--------------

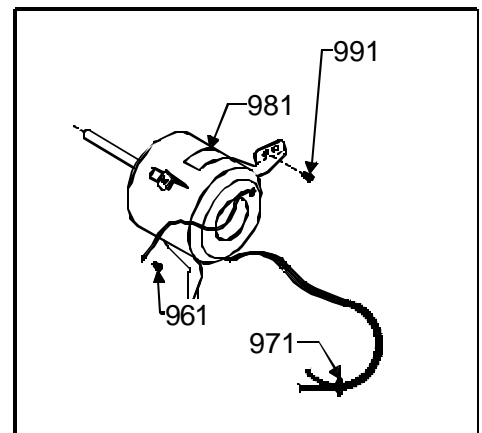
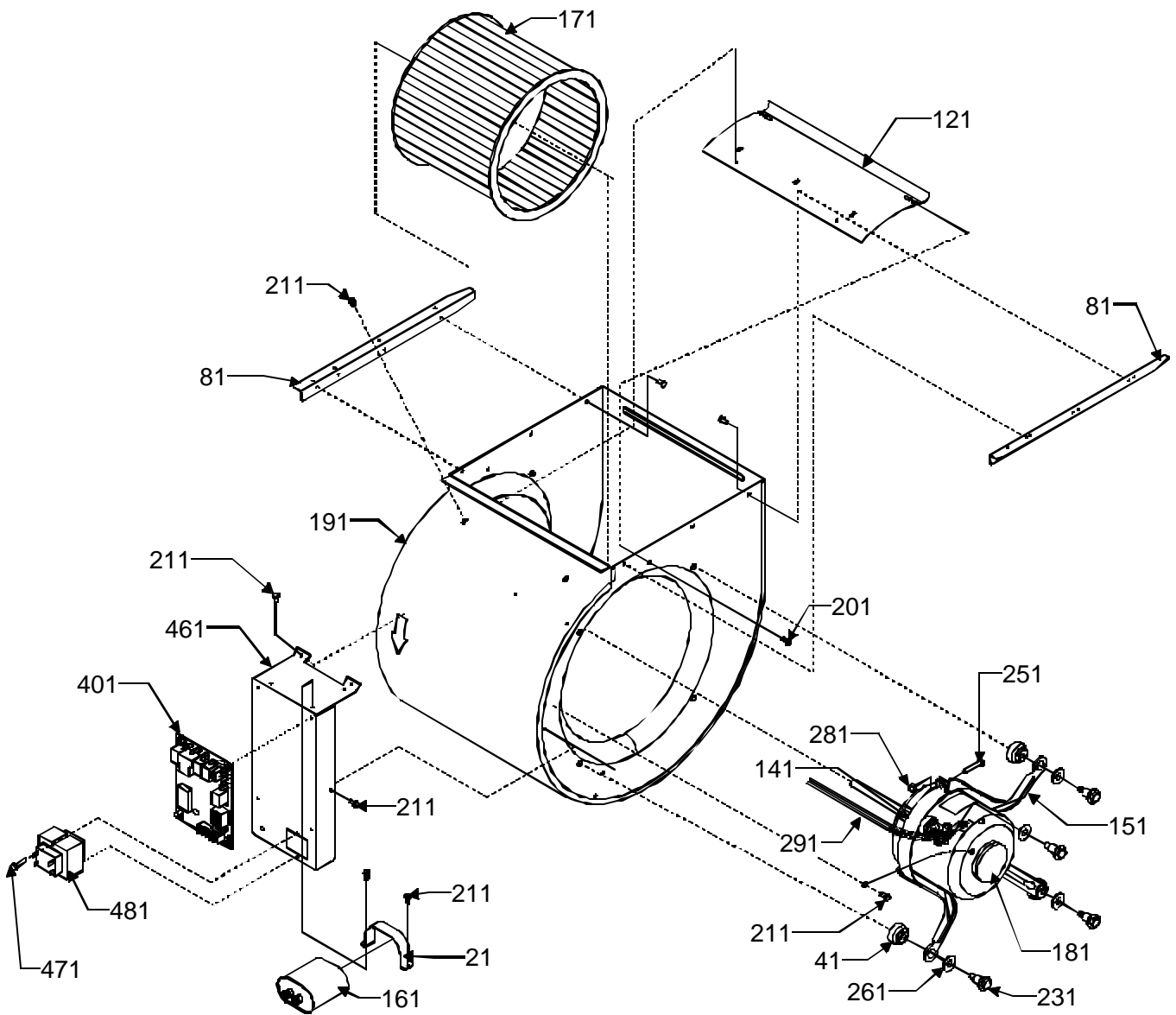
Image 1:

111	20273307	COVER-FLUE (M1, M2)
111	20273308	COVER-FLUE (M3, M4)
111	20273309	COVER-FLUE (M5)
131	20178501	RETAINER-FILTER
201	10764404	PLATE-PARTITION (M1, M2)
201	10764405	PLATE-PARTITION (M3, M4)
201	10764406	PLATE-PARTITION (M5)
211	B1410302	HOSE-PRESSURE SW (M5)
211	B1410303	HOSE-PRESSURE SW (M1, M2)
211	B1410312	HOSE-PRESSURE SW (M3, M4)
231	10764601	GASKET-ROTATE PLT
241	11142201	GASKET-COLL/ID (M1, M2)
241	11142202	GASKET-COLL/ID (M3, M4)
241	11142203	GASKET-COLL/ID (M5)
251	10764301	PLATE-ROTATING (M1)
251	10764311	PLATE-ROTATING (M2)
251	10764312	PLATE-ROTATING (M5)
251	10764314	PLATE-ROTATING (M3, M4)
271	20044402	BLOWER ID
281	11072302	TRAN-ID BLOW
291	11009701	TOP-TRAN PLATE
351	10861101	BRKT-AUX LIMIT
361	10123519	LIMIT-RESET MAN (AUXILIARY)
411	M0253516	SCREW-TR (QTY 4)
511	M0224303	SCREW-SM (QTY 10)
551	M0219916	SCREW-SM (QTY AR)
561	M0219918	SCREW-SM #8-5/8 (QTY AR)

## Expanded Model and Color Nomenclature

M1 - GUIE045EX30	P1241001F
M2 - GUIE070EX40	P1241003F
M3 - GUIE090EX40	P1241004F
M4 - GUIE090EX50	P1241005F
M5 - GUIE115EX50	P1241007F

# Blower Assembly & Integrated Control



# Blower Assembly & Integrated Control

Ref. Part No:	Part No:	Description:	Ref. Part No:	Part No:	Description:
---------------	----------	--------------	---------------	----------	--------------

Image 1:

21	A3410501	STRAP-CAPACITOR (M3)
21	A4055402	STRAP-CAPACITOR (M1, M2)
41	A4002701	GROMMET (M4, M5)
81	20175101	RAIL-BLWR SIDE FUR (M4, M5)
121	C6121803	CUTOFF (M1, M2)
121	C6121806	CUTOFF (M3)
121	C6121807	CUTOFF (M5)
161	D6879740	CAPACITOR (M3)
161	D6879748	CAPACITOR (M4, M5)
161	D6879752	CAPACITOR (M1)
161	D6879756	CAPACITOR (M2)
171	D6723303	WHEEL-BLOWER (M3)
171	D6723310	WHEEL-BLOWER (M1, M2)
171	D6723311	WHEEL-BLOWER (M5)
171	D6723320	WHEEL-BLOWER (M4)
181	10759416	MOTOR-BLOW 3/4 HP (M4)
181	10759417	MOTOR-BLOW 3/4 HP (M5)
191	11185807	HSG WELD-11X10 (M5)
191	11185806	HSG WELD-11X9 (M4)
191	11185813	HSG WELD-BLWR (M1, M2)
191	11185814	HSG WELD-BLWR (M3)
201	M0211020	SCREW-SM #8-7/8 (M4, M5)
201	M0211020	SCREW-SM #8-7/8 (M1, M2, M3)
211	M0219916	SCREW-SM (M4, M5)
221	M0253516	SCREW-TR (M4, M5)
221	M0253516	SCREW-TR (M1, M2, M3)
231	M0221461	SCREW-TC (M4, M5)
291	M0321202	TIE-ELEC LG (M4, M5)
401	10207715	CONTROL-INTEG (M1, M2, M3)
461	10746205	BRACKET-CONT (M1, M2, M3)
461	10746205	BRACKET-CONT (M4, M5)
471	M0216536	SCREW-SM (M4, M5)
471	M0216536	SCREW-SM (M1, M2, M3)
481	C6349703	TRANSFORMER (M1, M2, M3)
961	M0219916	SCREW-SM (M1, M2, M3)
971	M0321202	TIE-ELEC LG (M1, M2, M3)
981	20046615	MOTOR-BLOW 1/2 HP (M2)
981	20046614	MOTOR-BLOW 1/3 HP (M1)
981	20046617	MOTOR-BLOW 3/4 HP (M3)
991	M0250558	SCREW-TC (M1, M2, M3)

## Expanded Model and Color Nomenclature

M1 - GUIE045EX30	P1241001F
M2 - GUIE070EX40	P1241003F
M3 - GUIE090EX40	P1241004F
M4 - GUIE090EX50	P1241005F
M5 - GUIE115EX50	P1241007F