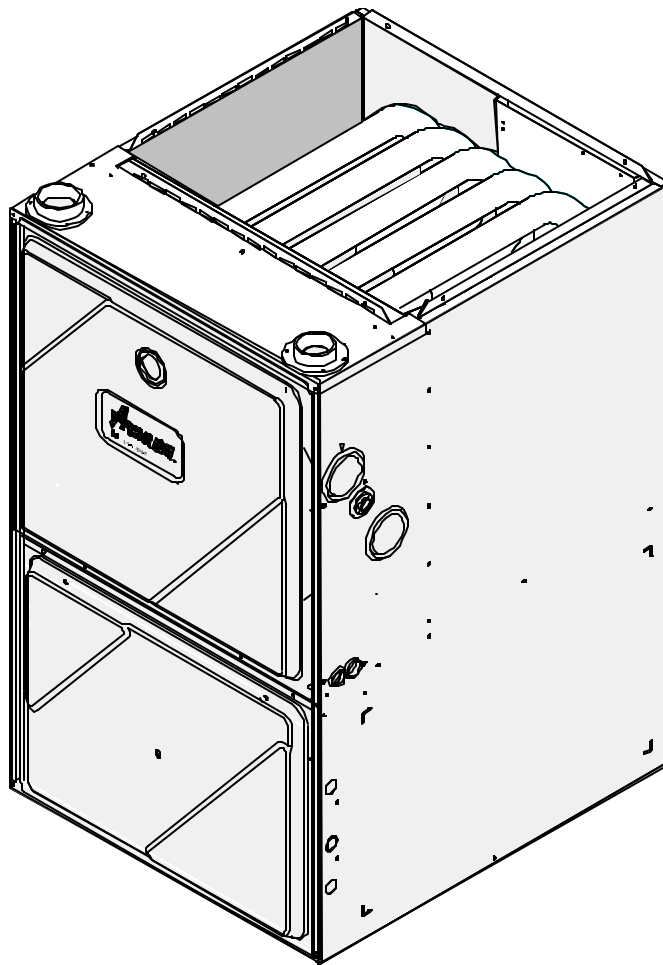


Service Parts

GUVA*BX/CX Gas Furnace

This manual replaces RP6610027 Revision 2.
This manual is to be used by qualified appliance technicians only.



Models and manufacturing numbers in this manual

GUVA045BX30	P1239601F
GUVA045BX30	P1242101F
GUVA045CX30	P1252901F
GUVA070BX40	P1239603F
GUVA070BX40	P1242103F
GUVA070CX40	P1252903F
GUVA090BX50	P1239605F
GUVA090BX50	P1242105F
GUVA090CX50	P1252905F
GUVA115BX50	P1239606F
GUVA115BX50	P1242106F
GUVA115CX50	P1252906F



Amana is a trademark of Maytag Worldwide N.V. and used under license to Goodman Company, L.P. All rights reserved.

RP6610027
Revision 3
November 2003

Copyright © 2003 Goodman Company, L.P.

Important Information

Goodman Company, L.P. is not responsible for personal injury or property damage resulting from improper service. Review all service information before beginning repairs.

Warranty service must be performed by an authorized technician, using authorized factory parts. If service is required after the warranty expires, Goodman Company, L.P. also recommends contacting an authorized technician and using authorized factory parts.

For assistance within the U.S.A. contact:
Consumer Affairs Department
Goodman Company, L.P.
7401 Security Way
Houston, Texas 77040
877-254-4729-Telephone
713-863-2382-Facsimile

For assistance outside the U.S.A. contact:
International Division
Goodman Company, L.P.
7401 Security Way
Houston, Texas 77040
713-861-2500-Telephone
713-863-2382-Facsimile

Index

Functional Parts List	4 - 5
Illustration and Parts	6 - 15

Views shown are for parts illustrations only, not servicing procedures.

Revision 1 Added BX models featuring "intell-ignition" integrated electronic ignition control and silicon nitride ignitor.

Revision 2. Updates Specification Sheet.

Revision 3 Adds *CX models.

Text Codes:

AR - As Required

NA - Not Available

NS - Not Shown

00000000 - See Note

QTY - Quantity Example (QTY 3) (If Quantity not shown, Quantity = 1)

M - Model Example (M1) (If M Code not shown, then part is used on all Models)

Expanded Model and Color Nomenclature:

Example	
M1 - Model#1	P _____
M2 - Model#2	P _____
M3 - Model#3	P _____

Functional Parts

Part

No: Description:

10735102	BECKETT BURNER (QTY AR)
20245902	BLOWER-I.D. (M1, M2, M3, M4)
20300002	CONTROL-INTEG (M1, M2, M3, M4, M5, M6, M7, M8)
20300004	CONTROL-INTEG (M9, M10, M11, M12)
10735201	FLAME-SENSOR
20275902	HARNESS-WIRING (CIRCULATOR BLOWER 5 PIN CONNECTOR)
11118705	HARNESS-WIRING (ECM INTERFACE 16 PIN CONNECTOR) (M5, M6, M7, M8, M9, M10, M11, M12)
20158801	HARNESS-WIRING (ECM INTERFACE 16 PIN CONNECTOR) (M1, M2, M3, M4)
20276004	HARNESS-WIRING (MAIN 12 PIN CONNECTOR) (M1, M2, M3, M4)
20276009	HARNESS-WIRING (MAIN 12 PIN CONNECTOR) (M5, M6, M7, M8, M9, M10, M11, M12)
20494507	HEAT EXCHANGER ASSY 2B (M9)
20194207	HEAT EXCHANGER ASSY 2B (M1, M5)
20494508	HEAT EXCHANGER ASSY 3B (M10)
20194208	HEAT EXCHANGER ASSY 3B (M2, M6)
20494509	HEAT EXCHANGER ASSY 4B (M11)
20194209	HEAT EXCHANGER ASSY 4B (M3, M7)
20194210	HEAT EXCHANGER ASSY 5B (M4, M8)
20494510	HEAT EXCHANGER ASSY 5B (M12)
11111702	IGNITOR-SINI (M1, M2, M3, M4)
11111701	IGNITOR-SINI (M5, M6, M7, M8, M9, M10, M11, M12)
20162907	LIMIT (PRIMARY) (M2, M6, M10)
20162905	LIMIT (PRIMARY) (M1, M3, M5, M7, M9, M11)
20162903	LIMIT (PRIMARY) (M4, M8, M12)
10123537	LIMIT-RESET (ROLLOUT) (M3, M7, M11)
10123535	LIMIT-RESET MAN (AUXILIARY) (M1, M5, M9)
10123537	LIMIT-RESET MAN (AUXILIARY) (M2, M6, M10)
10123536	LIMIT-RESET MAN (AUXILIARY) (M3, M7, M11)
10123533	LIMIT-RESET MAN (AUXILIARY) (M4, M8, M12)
10123518	LIMIT-RESET MAN (ROLLOUT) (M1, M5, M9)
10123533	LIMIT-RESET MAN (ROLLOUT) (M4, M8)
10123533	LIMIT-RESET MAN (ROLLOUT) (M2, M4, M6, M8, M10, M12)
20257912Z	MOTOR BLOWER-EC 1 (M4, M8, M12)
20257708Z	MOTOR BLOWER-EC 1/2 (M1, M5, M9)
20257810Z	MOTOR BLOWER-EC 3/4 (M2, M6, M10)
20257911Z	MOTOR-BLOWER-EC 1 (M3, M7, M11)
10716003	ORIFICE (QTY AR)
10690402	SWITCH-INTERLOCK (M5, M6, M7, M8, M9, M10, M11, M12)
10690401	SWITCH-INTERLOCK (M1, M2, M3, M4)
20197301	SWITCH-PRESSURE (COIL COVER)
11177114	SWITCH-PRESSURE (ID BLOWER) (M3, M4, M7, M8, M11, M12)
11177113	SWITCH-PRESSURE (ID BLOWER) (M1, M2, M5, M6, M9, M10)
C6349703	TRANSFORMER
C6476909	VALVE-GAS
D6723319	WHEEL-BLOWER (M1, M5, M9)
D6723320	WHEEL-BLOWER (M2, M6, M10)
D6723311	WHEEL-BLOWER (M3, M4, M7, M8, M11, M12)

Functional Parts

Part

No: Description:

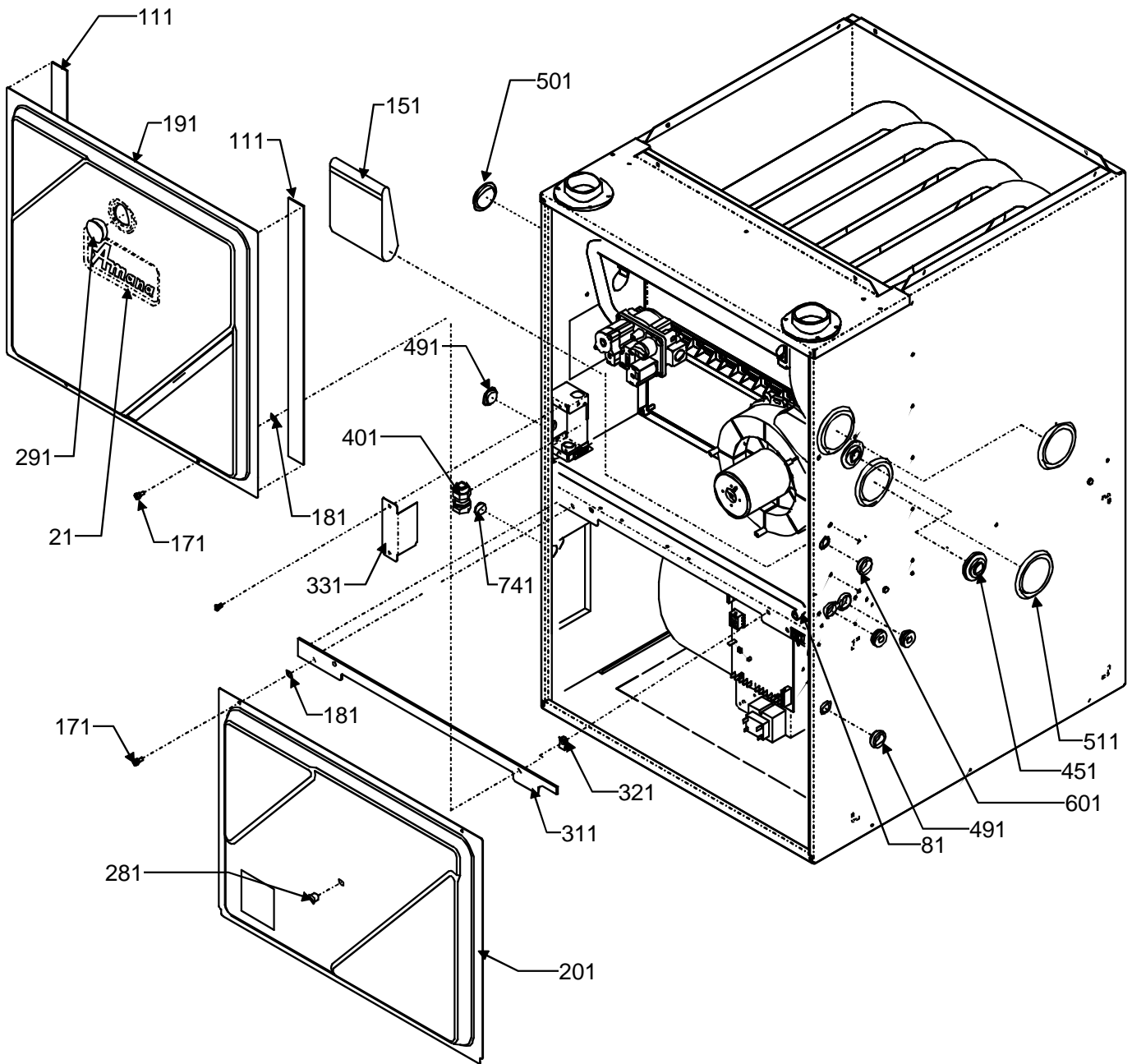
SPECIAL PARTS

20201902	HOSE-DRAIN
10318734	INSTRUCT-INSTALL
RP6610027	MANUAL-PARTS
RS6600001	MANUAL-SERVICE
10318823	MANUAL-USERS
10261301	SCREEN-VENT
10261302	SCREEN-VENT
11134647	SPEC-SHEET (M1, M2, M3, M4, M5, M6, M7, M8)
10195513	STNDPIPE BAG ASSY
RT6612004	TECHNICAL INFORMATION

Expanded Model and Color Nomenclature

M1 - GUVA045BX30	P1239601F
M2 - GUVA070BX40	P1239603F
M3 - GUVA090BX50	P1239605F
M4 - GUVA115BX50	P1239606F
M5 - GUVA045BX30	P1242101F
M6 - GUVA070BX40	P1242103F
M7 - GUVA090BX50	P1242105F
M8 - GUVA115BX50	P1242106F
M9 - GUVA045CX30	P1252901F
M10 - GUVA070CX40	P1252903F
M11 - GUVA090CX50	P1252905F
M12 - GUVA115CX50	P1252906F

Cabinet Assembly and Blower Mounting



Cabinet Assembly and Blower Mounting

Ref. Part No:	Part No:	Description:	Ref. Part No:	Part No:	Description:
---------------	----------	--------------	---------------	----------	--------------

Image 1:

21	20213214	NAMEPLATE-AMANA
81	20201902	HOSE-DRAIN
111	20179308	GASKET (QTY 2)
151	10195513	STNDPIPE BAG ASSY
171	M0204317	SCREW-MACH (QTY 4)
181	M0273904	RETAINER-SCREW (QTY 4)
191	20177407	DOOR-ACCESS (M3, M4, M7, M8, M11, M12)
191	20273101	DOOR-ACCESS (M1, M5, M9)
191	20273102	DOOR-ACCESS (M2, M6, M10)
201	20177304	DOOR-BLWR (M1, M5, M9)
201	20177305	DOOR-BLWR (M2, M6, M10)
201	20177306	DOOR-BLWR (M3, M4, M7, M8, M11, M12)
281	11104001	SNAP-BUSHING CLR
291	11104002	SNAP-BUSHING CLR
311	20339301	GASKET-DECK (M1, M5, M9)
311	20339302	GASKET-DECK (M2, M6, M10)
311	20339303	GASKET-DECK (M3, M4, M7, M8, M11, M12)
321	91000301	NUT-U SPEED (QTY 4)
331	10736201	COVER-HV BOX
401	M0571302	BUSHING-W/SEAL
451	M0501301	GROMMET-PIPE
491	M0570804	PLUG-BUTTON (QTY 4)
501	M0570802	PLUG-BUTTON
511	M0570803	PLUG-BUTTON (QTY 2)
601	A4691701	GROMMET (QTY 2)
741	M0571002	BUSHING-SNAP (QTY 2)
NS	B1410304	HOSE-PRESSURE SW (COIL COVER) (M5, M9)
NS	B1410309	HOSE-PRESSURE SW ID BLOWER (QTY AR)
NS	B1410305	HOSE-PRESSURE SW-COIL COVER (M3, M7, M11)
NS	B1410316	HOSE-PRESSURE SW-COIL COVER (M1, M2, M4, M6, M8, M10, M12)

Expanded Model and Color Nomenclature

M1 - GUVA045BX30	P1239601F
M2 - GUVA070BX40	P1239603F
M3 - GUVA090BX50	P1239605F
M4 - GUVA115BX50	P1239606F
M5 - GUVA045BX30	P1242101F
M6 - GUVA070BX40	P1242103F
M7 - GUVA090BX50	P1242105F
M8 - GUVA115BX50	P1242106F
M9 - GUVA045CX30	P1252901F
M10 - GUVA070CX40	P1252903F
M11 - GUVA090CX50	P1252905F
M12 - GUVA115CX50	P1252906F

Blower Assembly

Image 1

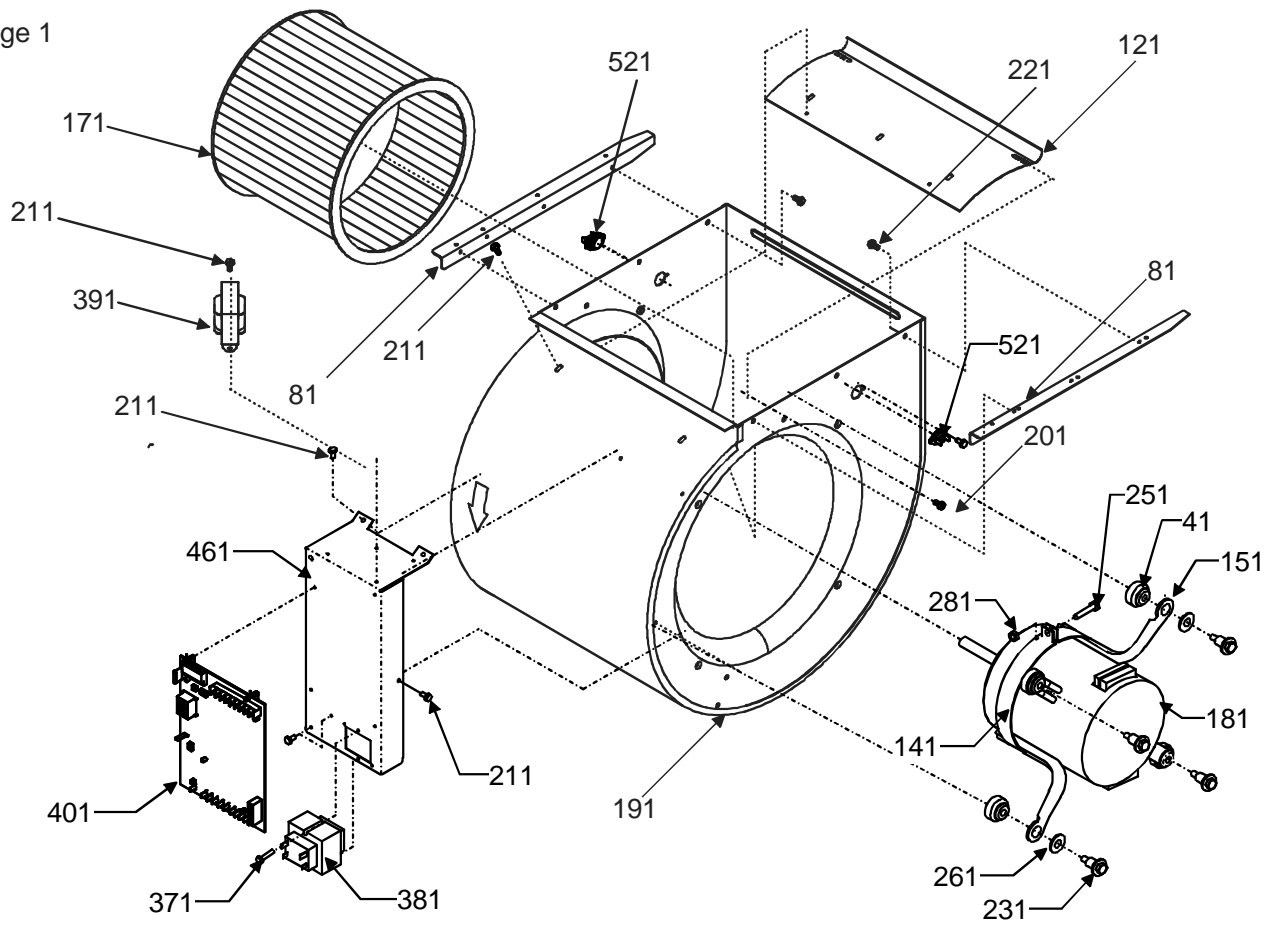
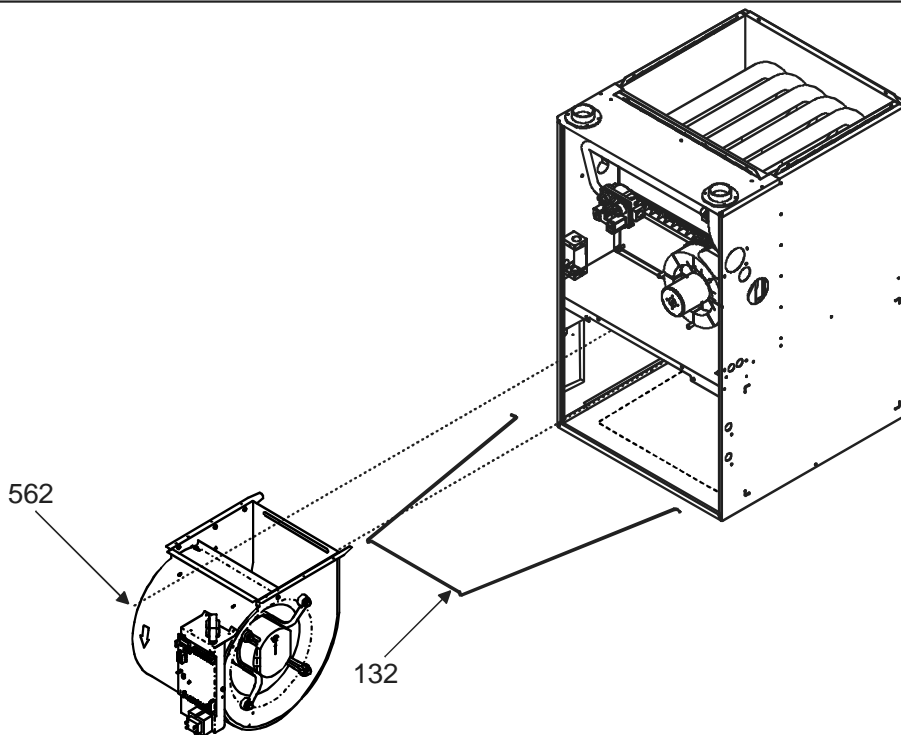


Image 2



Blower Assembly

Ref. Part No: No:	Description:	Ref. Part No: No:	Description:
-------------------	--------------	-------------------	--------------

Image 1:

41	A4002701	GROMMET (QTY 4)
81	20175101	RAIL-BLWR SIDE (QTY 2)
121	C6121803	CUTOFF (M1, M5, M9)
121	C6121806	CUTOFF (M2, M6, M10)
121	C6121807	CUTOFF (M3, M4, M7, M8, M11, M12)
141	10441601	BAND-MTR MOUNT
151	10441501	ARM-MTR MOUNT (QTY 4)
171	D6723311	WHEEL-BLOWER (M3, M4, M7, M8, M11, M12)
171	D6723319	WHEEL-BLOWER (M1, M5, M9)
171	D6723320	WHEEL-BLOWER (M2, M6, M10)
181	20257912Z	MOTOR BLOWER-EC 1 (M4, M8, M12)
181	20257708Z	MOTOR BLOWER-EC 1/2 (M1, M5, M9)
181	20257810Z	MOTOR BLOWER-EC 3/4 (M2, M6, M10)
181	20257911Z	MOTOR-BLOWER-EC 1 (M3, M7, M11)
191	11185811	HSG WELD-11X10 (M3, M4, M7, M8, M11, M12)
191	11185809	HSG WELD-11X7 (M1, M5, M9)
191	11185810	HSG WELD-11X9 (M2, M6, M10)
201	M0211020	SCREW-SM #8-7/8 (QTY 2)
211	M0219916	SCREW-SM (QTY AR)
221	M0253516	SCREW-TR (QTY 6)
231	M0221461	SCREW-TC (QTY 4)
251	M0267144	SCREW-MACH
261	M0274008	WASHER-FLAT (QTY 4)
281	M0282015	NUT-KEPS
371	M0216536	SCREW-SM (QTY 2)
381	C6349703	TRANSFORMER
391	20218901	COIL-INDUCTOR (M2, M3, M4, M6, M7, M8, M10, M11, M12)
401	20300002	CONTROL-INTEG (M1, M2, M3, M4, M5, M6, M7, M8)
401	20300004	CONTROL-INTEG (M9, M10, M11, M12)
461	10746205	BRKT-CONTROL
521	10123533	LIMIT-RESET MAN (AUXILIARY) (M4, M8, M12)
521	10123535	LIMIT-RESET MAN (AUXILIARY) (M1, M5, M9)
521	10123536	LIMIT-RESET MAN (AUXILIARY) (M3, M7, M11)
521	10123537	LIMIT-RESET MAN (AUXILIARY) (M2, M6, M10)

Image 2:

132	20178501	RETAINER-FILTER
562	M0219918	SCREW-SM #8-5/8 (QTY 2)

Expanded Model and Color Nomenclature

M1 - GUVA045BX30	P1239601F
M2 - GUVA070BX40	P1239603F
M3 - GUVA090BX50	P1239605F
M4 - GUVA115BX50	P1239606F
M5 - GUVA045BX30	P1242101F
M6 - GUVA070BX40	P1242103F
M7 - GUVA090BX50	P1242105F
M8 - GUVA115BX50	P1242106F
M9 - GUVA045CX30	P1252901F
M10 - GUVA070CX40	P1252903F
M11 - GUVA090CX50	P1252905F
M12 - GUVA115CX50	P1252906F

Cabinet Assembly

Ref. Part No:	Ref. Part No:	Description:	Description:
<i>Image 1:</i>			
11	20273401	BASEPAN-UPFLOW (M1, M5, M9)	811 20194603 GASKET (M3, M4, M7, M8, M11, M12)
11	20273402	BASEPAN-UPFLOW (M2)	891 10690301 ANGLE-FILTER (QTY 2)
11	20273403	BASEPAN-UPFLOW (M3, M4)	901 20242801 RAIL-FILTER (QTY 2)
11	20273404	BASEPAN-UPFLOW (M6, M10)	
11	20273405	BASEPAN-UPFLOW (M7, M8, M11, M12)	
31	20190216	DECK-BLOWER (M1, M5, M9)	
31	20190217	DECK-BLOWER (M2, M6, M10)	
31	20190218	DECK-BLOWER (M3, M4, M7, M8, M11, M12)	
81	20273201	PANEL-BACK (M1, M5, M9)	
81	20273202	PANEL-BACK (M2, M6, M10)	
81	20273203	PANEL-BACK (M3, M4, M7, M8, M11, M12)	
91	C6415907	INSUL-HT EX (M1, M5, M9)	
91	C6415908	INSUL-HT EX (M2, M6, M10)	
91	C6415909	INSUL-HT EX (M3, M4, M7, M8, M11, M12)	
101	20191301	RAIL-DECK (M1, M5, M9)	
101	20191302	RAIL-DECK (M2, M6, M10)	
101	20191303	RAIL-DECK (M3, M4, M7, M8, M11, M12)	
111	20194501	COVER ASSY (M1, M5, M9)	
111	20194502	COVER ASSY (M2, M6, M10)	
111	20194503	COVER ASSY (M3, M4, M7, M8, M11, M12)	
121	20191601	RAIL-SIDE (QTY 2)	
141	20193405	PANEL-L SIDE	
151	20193305	PANEL-R SIDE	
161	20006601	INSULATION (M1, M5, M9)	
161	20006602	INSULATION (M2, M6, M10)	
161	20006603	INSULATION (M3, M4, M7, M8, M11, M12)	
171	20243501	INSULATION-SIDE (M1, M2, M3, M4, M5, M6, M7, M8)	
171	20243503	INSULATION-SIDE (M9, M10, M11, M12)	
221	10690401	SWITCH-INTERLOCK (M1, M2, M3, M4)	
221	10690402	SWITCH-INTERLOCK (M5, M6, M7, M8, M9, M10, M11, M12)	
231	20190503	PIPE-FLUE UF	
241	20171801	ELBOW	
271	20245902	BLOWER-I.D. (M1, M2, M3, M4)	
271	20245903	BLOWER-ID (M5, M6, M7, M8, M9, M10, M11, M12)	
281	20049701	COUPLING-FA (QTY 2)	
311	10736102	BOX-HIGH VOLT	
331	11165107	SHIELD ID BLWR	
391	M0275521	SEALER-PLASTIC (QTY AR)	
421	A4554801	BUSHING-SNAP	
521	M0218154	SCREW-SM (QTY 2)	
531	M0270544	WASHER-FLAT (QTY 4)	
541	M0216716	SCREW-SM (QTY 4)	
551	M0219916	SCREW-SM (QTY AR)	
561	M0219918	SCREW-SM #8-5/8 (QTY AR)	
721	M0218153	SCREW-SM (QTY 2)	
741	M0571002	BUSHING-SNAP (QTY 2)	
781	M0227803	SCREW-TC	
791	20194604	GASKET (QTY 2)	
811	20194601	GASKET (M1, M5, M9)	
811	20194602	GASKET (M2, M6, M10)	

Expanded Model and Color Nomenclature

M1 - GUVA045BX30	P1239601F
M2 - GUVA070BX40	P1239603F
M3 - GUVA090BX50	P1239605F
M4 - GUVA115BX50	P1239606F
M5 - GUVA045BX30	P1242101F
M6 - GUVA070BX40	P1242103F
M7 - GUVA090BX50	P1242105F
M8 - GUVA115BX50	P1242106F
M9 - GUVA045CX30	P1252901F
M10 - GUVA070CX40	P1252903F
M11 - GUVA090CX50	P1252905F
M12 - GUVA115CX50	P1252906F

Heat Exchanger/Manifold Assembly

Image 1

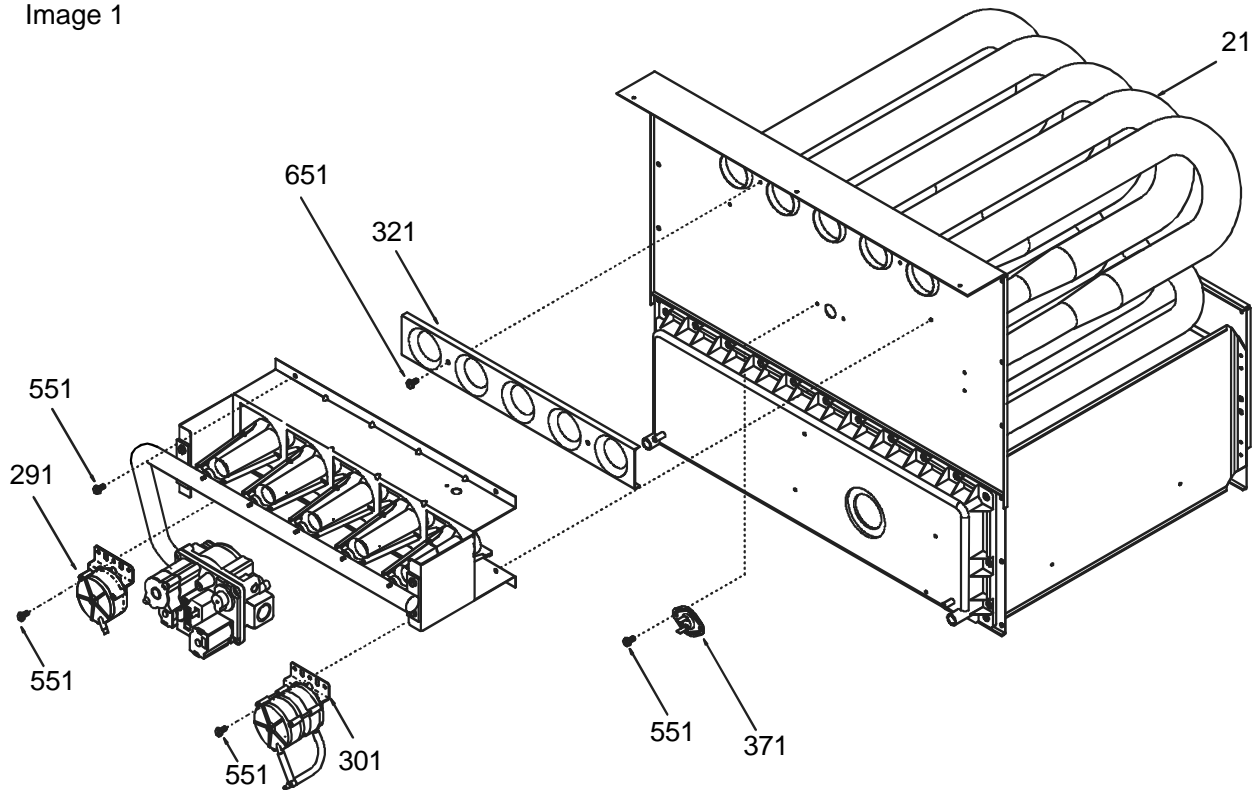
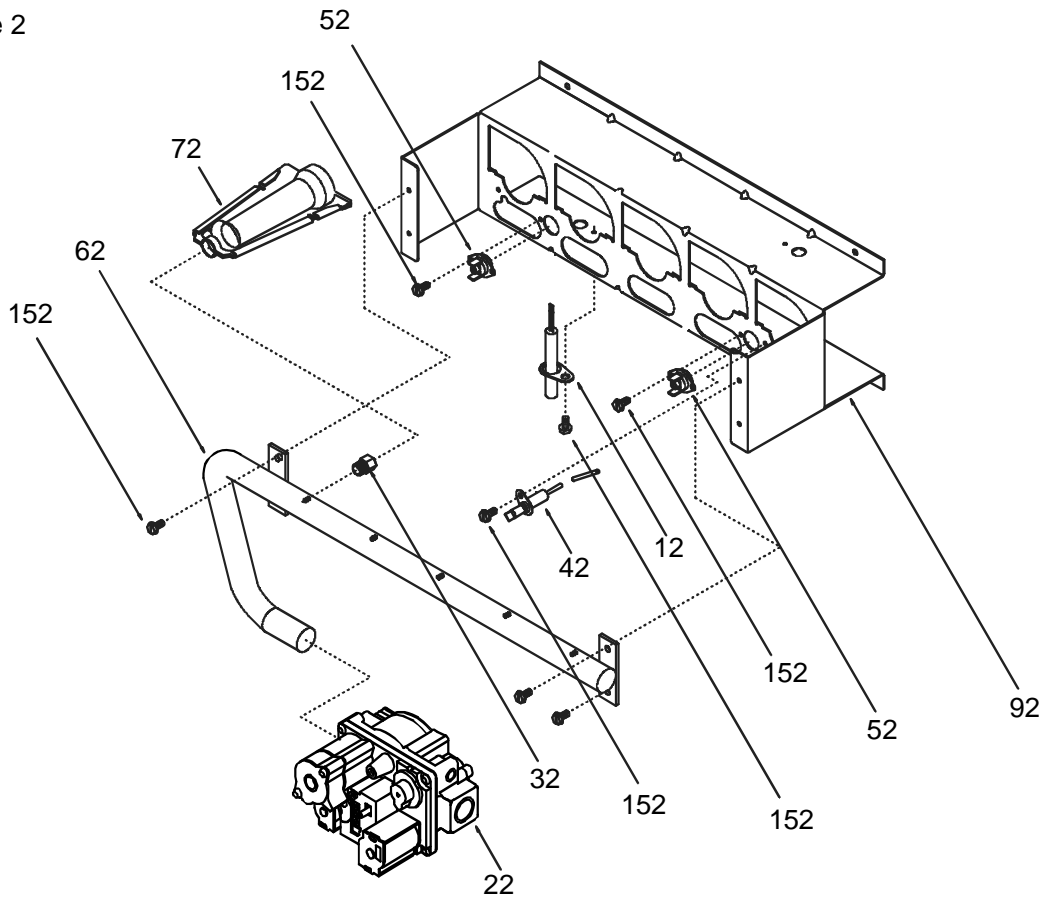


Image 2



Heat Exchanger/Manifold Assembly

Ref. Part No:	Part No:	Description:	Ref. Part No:	Part No:	Description:
---------------	----------	--------------	---------------	----------	--------------

Image 1:

21	20194207	HEAT EXCHANGER ASSY 2B (M1, M5)
21	20194208	HEAT EXCHANGER ASSY 3B (M2, M6)
21	20194209	HEAT EXCHANGER ASSY 4B (M3, M7)
21	20194210	HEAT EXCHANGER ASSY 5B (M4, M8)
51	20494507	HEAT EXCHANGER ASSY 2B (M9)
51	20494508	HEAT EXCHANGER ASSY 3B (M10)
51	20494509	HEAT EXCHANGER ASSY 4B (M11)
51	20494510	HEAT EXCHANGER ASSY 5B (M12)
291	20197301	SWITCH-PRESSURE (COIL COVER)
301	11177113	SWITCH-PRESSURE (ID BLOWER) (M1, M2, M5, M6, M9, M10)
301	11177114	SWITCH-PRESSURE (ID BLOWER) (M3, M4, M7, M8, M11, M12)
321	11072201	SHIELD-ORFICE (M1, M5, M9)
321	11072202	SHIELD-ORFICE (M2, M6, M10)
321	11072203	SHIELD-ORFICE (M3, M7, M11)
321	11072204	SHIELD-ORFICE (M4, M8, M12)
371	20162903	LIMIT (PRIMARY) (M4, M8, M12)
371	20162905	LIMIT (PRIMARY) (M1, M3, M5, M7, M9, M11)
371	20162907	LIMIT (PRIMARY) (M2, M6, M10)
551	M0219916	SCREW-SM (QTY AR)
651	M0211020	SCREW-SM #8-7/8 (QTY AR)
NS	20193001	BAFFLE-AIR (M1, M2, M3, M5, M6, M7, M9, M10, M11)

Image 2:

12	11111701	IGNITOR-SINI (M5, M6, M7, M8, M9, M10, M11, M12)
12	11111702	IGNITOR-SINI (M1, M2, M3, M4)
22	C6476909	VALVE-GAS
32	10716003	ORIFICE (QTY AR)
42	10735201	FLAME-SENSOR
52	10123537	LIMIT-RESET (ROLLOUT) (M3, M7, M11)
52	10123518	LIMIT-RESET MAN (ROLLOUT) (M1, M5, M9)
52	10123533	LIMIT-RESET MAN (ROLLOUT) (M2, M4, M6, M8, M10, M12)
62	20196401	MANIFOLD (M1, M5, M9)
62	20196402	MANIFOLD (M2, M6, M10)
62	20196403	MANIFOLD (M3, M7, M11)
62	20196404	MANIFOLD (M4, M8, M12)
72	10735102	BECKETT BURNER (QTY AR)
92	20190405	BRKT-BURNER 2B (M1, M5, M9)
92	20190407	BRKT-BURNER 3B (M2, M6, M10)
92	20190408	BRKT-BURNER 4B (M3, M7, M11)
92	20190409	BRKT-BURNER 5B (M4, M8, M12)
152	M0219916	SCREW-SM (QTY 8)

Expanded Model and Color Nomenclature

M1 - GUVA045BX30	P1239601F
M2 - GUVA070BX40	P1239603F
M3 - GUVA090BX50	P1239605F
M4 - GUVA115BX50	P1239606F
M5 - GUVA045BX30	P1242101F
M6 - GUVA070BX40	P1242103F
M7 - GUVA090BX50	P1242105F
M8 - GUVA115BX50	P1242106F
M9 - GUVA045CX30	P1252901F
M10 - GUVA070CX40	P1252903F
M11 - GUVA090CX50	P1252905F
M12 - GUVA115CX50	P1252906F

Recupe Coil Assembly/Standpipe Assy

Image 1

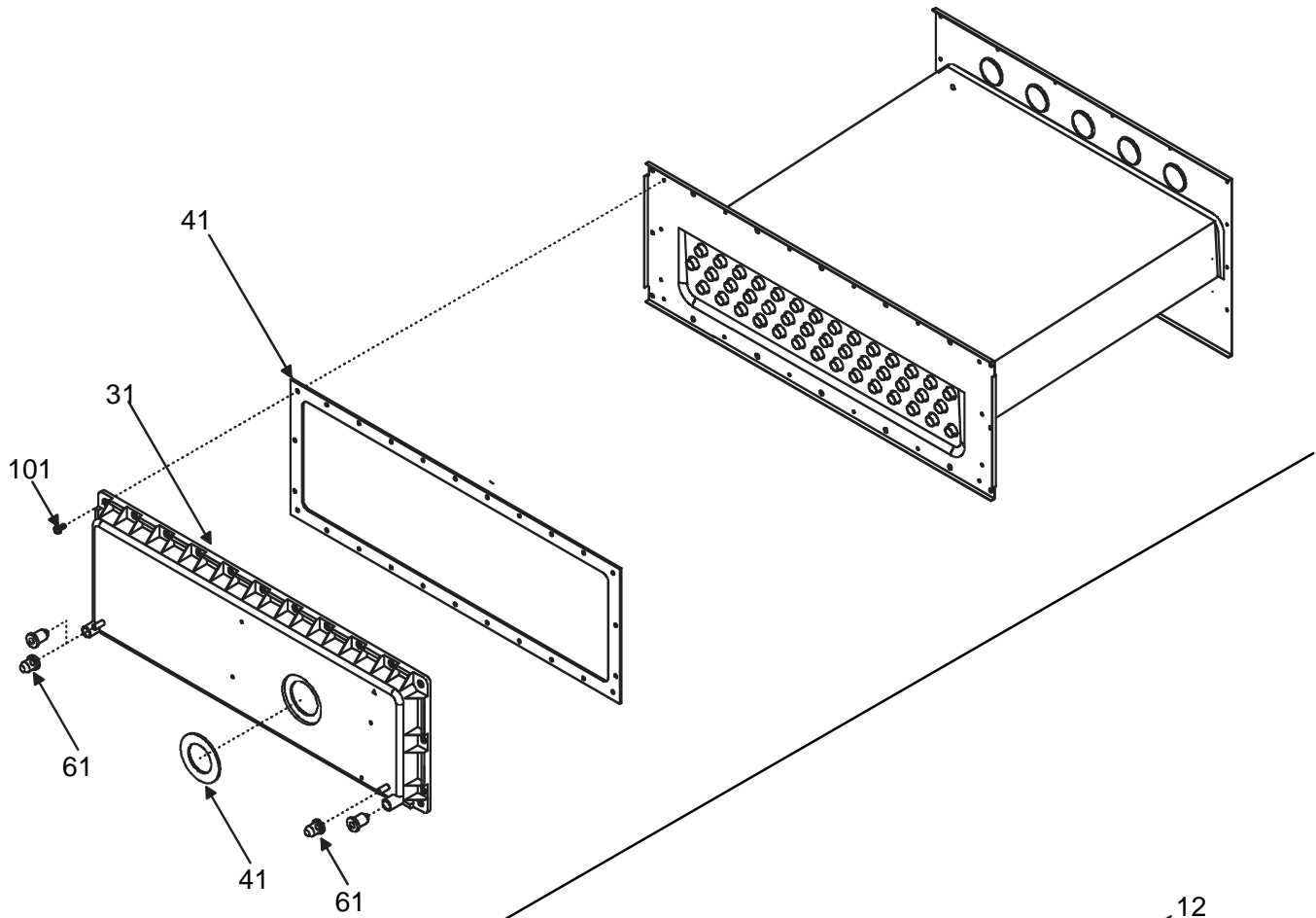
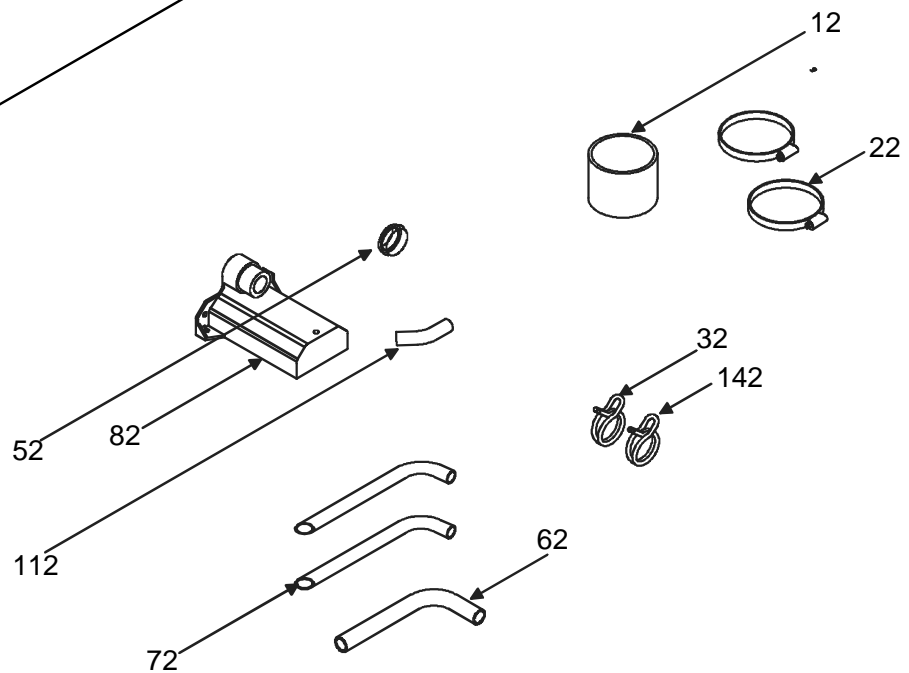


Image 2



Recupe Coil Assembly/Standpipe Assy

Ref. Part No:	Part No:	Description:	Ref. Part No:	Part No:	Description:
---------------	----------	--------------	---------------	----------	--------------

Image 1:

31	20170804	COVER-FRONT (M1, M5, M9)
31	20170903	COVER-FRONT (M2, M6, M10)
31	20171003	COVER-FRONT (M3, M7, M11)
31	20171004	COVER-FRONT (M4, M8, M12)
41	20215701	GASKET-COIL (M1, M5)
41	20215702	GASKET-COIL (M2, M6)
41	20215703	GASKET-COIL (M3, M4, M7, M8)
41	20404403	GASKET-COIL (M9, M10, M11, M12)
61	M0326804	PLUG-TUBE (QTY 4)
101	M0211031	SCREW-SM #10-5/8 (QTY AR)

Image 2:

12	10254303	COUPLING-RUBBER
22	A3326008	CLAMP-HOSE (QTY 2)
32	M0119207	CLAMP-HOSE (RED) (QTY 2)
52	M0570804	PLUG-BUTTON
62	20201901	HOSE-DRAIN
72	20201801	TUBE-DRAIN (QTY 2)
82	20171701	DRAIN TRAP
112	20214202	DRAIN-ANGLE
142	M0119205	CLAMP-HOSE (GREEN) (QTY 5)

Expanded Model and Color Nomenclature

M1 - GUVA045BX30	P1239601F
M2 - GUVA070BX40	P1239603F
M3 - GUVA090BX50	P1239605F
M4 - GUVA115BX50	P1239606F
M5 - GUVA045BX30	P1242101F
M6 - GUVA070BX40	P1242103F
M7 - GUVA090BX50	P1242105F
M8 - GUVA115BX50	P1242106F
M9 - GUVA045CX30	P1252901F
M10 - GUVA070CX40	P1252903F
M11 - GUVA090CX50	P1252905F
M12 - GUVA115CX50	P1252906F