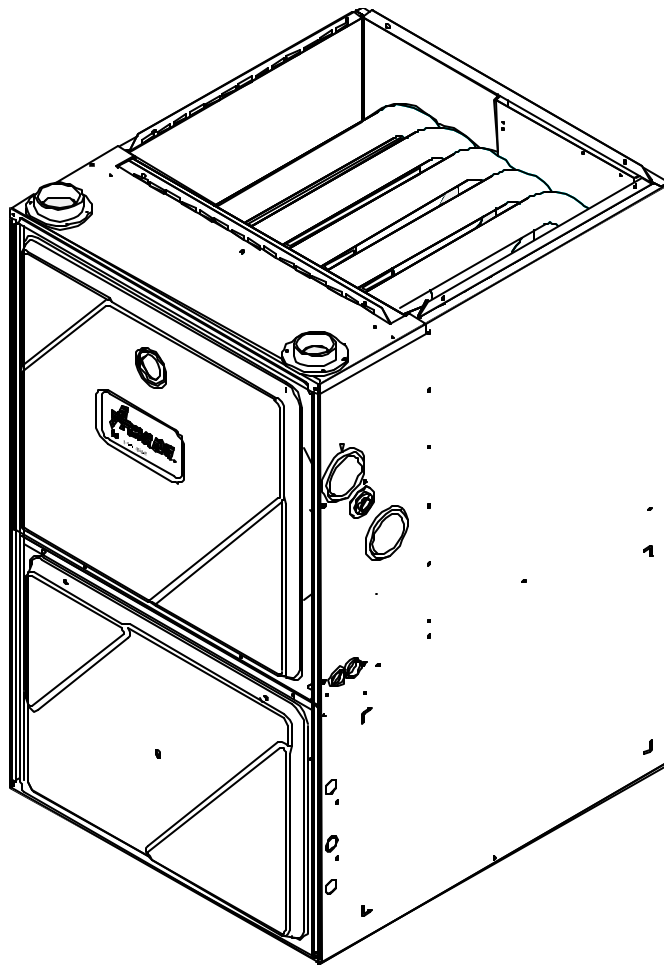


Service Parts

GUSA* 90% Efficiency Gas Furnaces

This manual replaces RP6610026 Rev. 2.

This manual is to be used by qualified appliance technicians only.



Models and manufacturing numbers in this manual

GUSA070BX35	P1239502F
GUSA070BX35	P1242002F
GUSA070CX35	P1252802F
GUSA090BX40	P1239504F
GUSA090BX40	P1242004F
GUSA090BX50	P1239505F
GUSA090BX50	P1242005F
GUSA090CX40	P1252804F
GUSA090CX50	P1252805F
GUSA115BX50	P1239506F
GUSA115BX50	P1242006F
GUSA115CX50	P1252806F



Amana is a trademark of Maytag Worldwide N.V. and used under license to Goodman Company, L.P. All rights reserved.

RP6610026
Revision 3
November 2003

Copyright © 2003 Goodman Company, L.P.

Important Information

Goodman Company, L.P. is not responsible for personal injury or property damage resulting from improper service. Review all service information before beginning repairs.

Warranty service must be performed by an authorized technician, using authorized factory parts. If service is required after the warranty expires, Goodman Company, L.P. also recommends contacting an authorized technician and using authorized factory parts.

For assistance within the U.S.A. contact:
Consumer Affairs Department
Goodman Company, L.P.
7401 Security Way
Houston, Texas 77040
877-254-4729-Telephone
713-863-2382-Facsimile

For assistance outside the U.S.A. contact:
International Division
Goodman Company, L.P.
7401 Security Way
Houston, Texas 77040
713-861-2500-Telephone
713-863-2382-Facsimile

Index

Functional Parts List	4 - 5
Illustration and Parts	6 - 15

Views shown are for parts illustrations only, not servicing procedures.

Revision 1 Adds the GUSA*BX P124200*F series models.

Revision 2 Updated Spec Sheet number for *EX models.

Revision 3 Adds GUSA*CX models.

Text Codes:

AR - As Required

NA - Not Available

NS - Not Shown

00000000 - See Note

QTY - Quantity Example (QTY 3) (If Quantity not shown, Quantity = 1)

M - Model Example (M1) (If M Code not shown, then part is used on all Models)

Expanded Model and Color Nomenclature:

Example	
M1 - Model#1	P _____
M2 - Model#2	P _____
M3 - Model#3	P _____

Functional Parts

Part

No: Description:

10735102	BECKETT BURNER (QTY AR)
20245902	BLOWER-I.D. (M1, M2, M3, M4, M5, M6, M7, M8)
D6879740	CAPACITOR (M4, M8, M12)
D6879746	CAPACITOR (M1, M2, M5, M6, M9, M10)
D6879748	CAPACITOR (M3, M7, M11)
20300001	CONTROL-INTEG
10735201	FLAME-SENSOR
20200911	HARNESS-WIRING (CIRCULATOR BLOWER)
20276009	HARNESS-WIRING (MAIN) (M5, M6, M7, M8, M9, M10, M11, M12)
20276004	HARNESS-WIRING (MAIN) (M1, M2, M3, M4)
20494511	HT EX ASSY 3B (M9)
20194202	HT EX ASSY 3B (M1, M5)
20194204	HT EX ASSY 4B (M2, M6)
20194205	HT EX ASSY 4B (M3, M7)
20494512	HT EX ASSY 4B (M10)
20494505	HT EX ASSY 4B (M11)
20494513	HT EX ASSY 5B (M12)
20194206	HT EX ASSY 5B (M4, M8)
20245903	I.D. BLOWER (M9, M10, M11, M12)
11111701	IGNITOR-SINI (M5, M6, M7, M8, M9, M10, M11, M12)
11111702	IGNITOR-SINI (M1, M2, M3, M4)
20162907	LIMIT (PRIMARY) (M1, M5, M9)
20162904	LIMIT (PRIMARY) (M2, M3, M4, M6, M7, M8, M10, M11, M12)
10123535	LIMIT-RESET (AUXILLARY)
10123537	LIMIT-RESET (ROLLOUT) (M2, M10)
10123533	LIMIT-RESET MAN (ROLLOUT) (M1, M5, M9)
10123534	LIMIT-RESET MAN (ROLLOUT) (M3, M4, M7, M8, M11, M12)
10759309	MOTOR BLOWER 1/2 HP (M2, M6, M10)
10759311	MOTOR-BLOWER 1/2 HP (M4, M8, M12)
10759310	MOTOR-BLOWER 1/2 HP (M1, M5, M9)
10759415	MOTOR-BLOWER 3/4 HP (M3, M7, M11)
10716003	ORIFICE (QTY AR)
20197305	SWITCH-PRESSURE (COIL COVER)
11177117	SWITCH-PRESSURE (ID BLOWER)
C6349703	TRANSFORMER
C6476909	VALVE-GAS
D6723320	WHEEL-BLOWER (M2, M3, M6, M7, M10, M11)
D6723311	WHEEL-BLOWER (M4, M8, M12)
D6723319	WHEEL-BLOWER (M1, M5, M9)

Functional Parts

Part

No: Description:

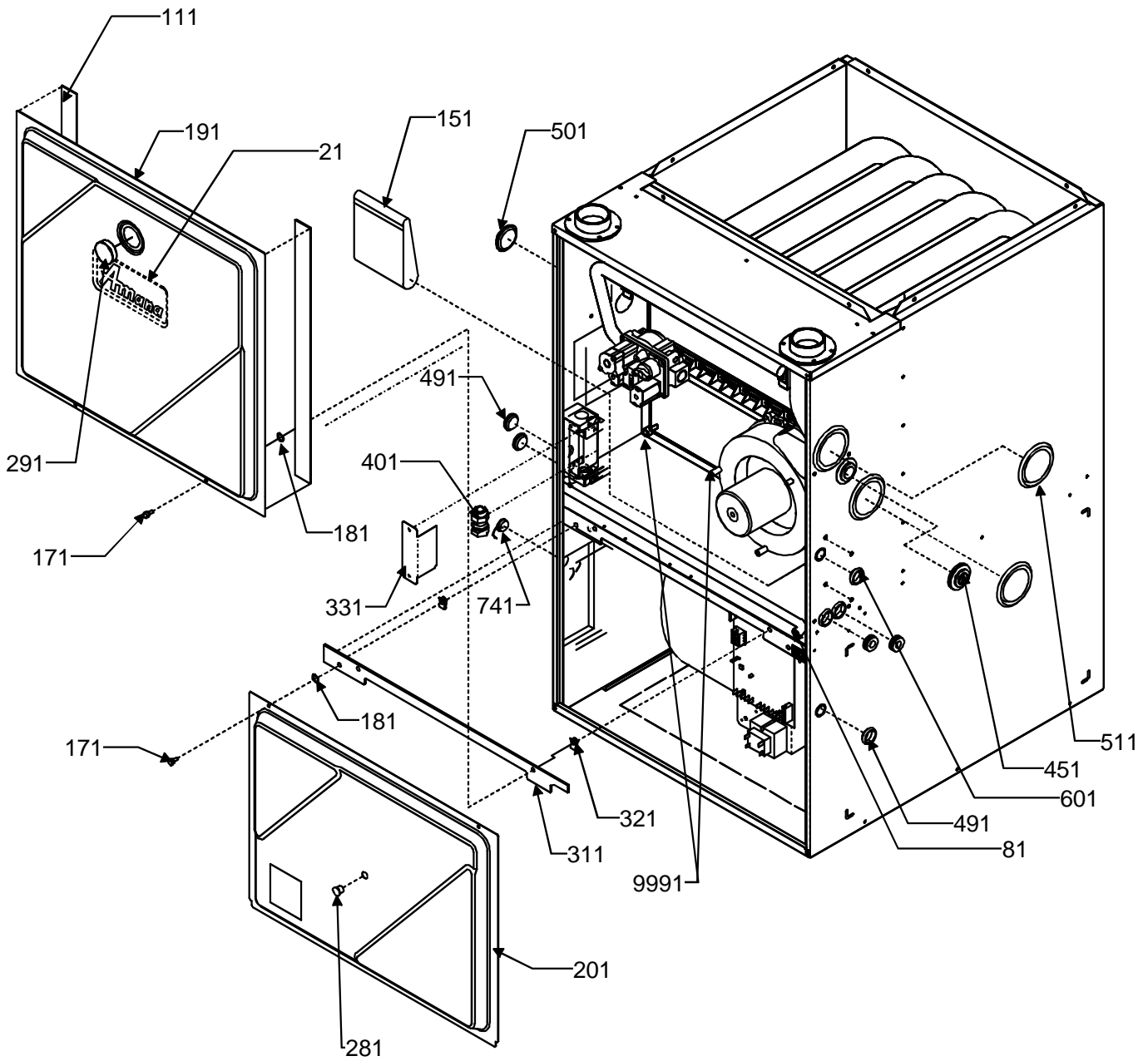
SPECIAL PARTS

20490402	CERT-WARRANTY
20201902	HOSE-DRAIN
10318736	INSTRUCT-INSTALL
10318825	MANUAL-USERS
20213215	NAMEPLATE-AMANA
RP6610026	PARTS MANUAL
10261302	SCREEN-VENT (M5, M6, M7, M8, M9, M10, M11, M12)
10261301	SCREEN-VENT (M5, M6, M7, M8, M9, M10, M11, M12)
RS6600001	SERVICE MANUAL
11134638	SPEC-SHEET (M1, M2, M3, M4, M5, M6, M7, M8)
10195513	STNDPIPE BAG ASSY
RT6612003	TECHNICAL INFORMATION (M1, M2, M3, M4, M5, M6, M7, M8)

Expanded Model and Color Nomenclature

M1 - GUSA070BX35	P1239502F
M2 - GUSA090BX40	P1239504F
M3 - GUSA090BX50	P1239505F
M4 - GUSA115BX50	P1239506F
M5 - GUSA070BX35	P1242002F
M6 - GUSA090BX40	P1242004F
M7 - GUSA090BX50	P1242005F
M8 - GUSA115BX50	P1242006F
M9 - GUSA070CX35	P1252802F
M10 - GUSA090CX40	P1252804F
M11 - GUSA090CX50	P1252805F
M12 - GUSA115CX50	P1252806F

Cabinet Assembly/Blower Mounting



Cabinet Assembly/Blower Mounting

Ref. Part No:	Ref. Part No:	Description:	Description:
<i>Image 1:</i>			
21	20213215	NAMEPLATE-AMANA	
81	20201902	HOSE-DRAIN	
111	20179308	GASKET (QTY 2)	
151	10195513	STNDPIPE BAG ASSY	
171	M0204317	SCREW-MACH (QTY 4)	
181	M0273904	RETAINER-SCREW (QTY 4)	
191	20177407	ACCESS DOOR (M11, M12)	
191	20273101	ACCESS DOOR (M9)	
191	20177407	DOOR-ACCESS (M3, M4, M7, M8)	
191	20273101	DOOR-ACCESS (M1, M5)	
191	20273102	DOOR-ACCESS (M2, M6, M10)	
201	20177304	BLOWER DOOR (M1, M5, M9)	
201	20177305	BLOWER DOOR (M2, M6, M10)	
201	20177306	BLOWER DOOR (M3, M4, M7, M8, M11, M12)	
281	11104001	SNAP-BUSHING CLR	
291	11104002	SNAP-BUSHING CLR	
311	20339301	GASKET-DECK (M1, M5, M9)	
311	20339302	GASKET-DECK (M2, M6, M10)	
311	20339303	GASKET-DECK (M3, M4, M7, M8, M11, M12)	
321	91000301	NUT-U SPEED (QTY 4)	
331	10736201	COVER-HV BOX	
401	M0571302	BUSHING-W/SEAL	
451	M0501301	GROMMET-PIPE	
491	M0570804	PLUG-BUTTON (QTY 4)	
501	M0570802	PLUG-BUTTON	
511	M0570803	PLUG-BUTTON (QTY 2)	
741	M0571002	BUSHING-SNAP (QTY 2)	
NS	B1410304	HOSE-PRESSURE SW COIL COVER (M1, M5, M9)	
NS	B1410305	HOSE-PRESSURE SW COIL COVER (M3, M7, M11)	
NS	B1410316	HOSE-PRESSURE SW COIL COVER (M2, M4, M6, M8, M10, M12)	
NS	B1410309	HOSE-PRESSURE SW ID BLOWER	

Expanded Model and Color Nomenclature

M1 - GUSA070BX35	P1239502F
M2 - GUSA090BX40	P1239504F
M3 - GUSA090BX50	P1239505F
M4 - GUSA115BX50	P1239506F
M5 - GUSA070BX35	P1242002F
M6 - GUSA090BX40	P1242004F
M7 - GUSA090BX50	P1242005F
M8 - GUSA115BX50	P1242006F
M9 - GUSA070CX35	P1252802F
M10 - GUSA090CX40	P1252804F
M11 - GUSA090CX50	P1252805F
M12 - GUSA115CX50	P1252806F

Blower Assembly

Image 1

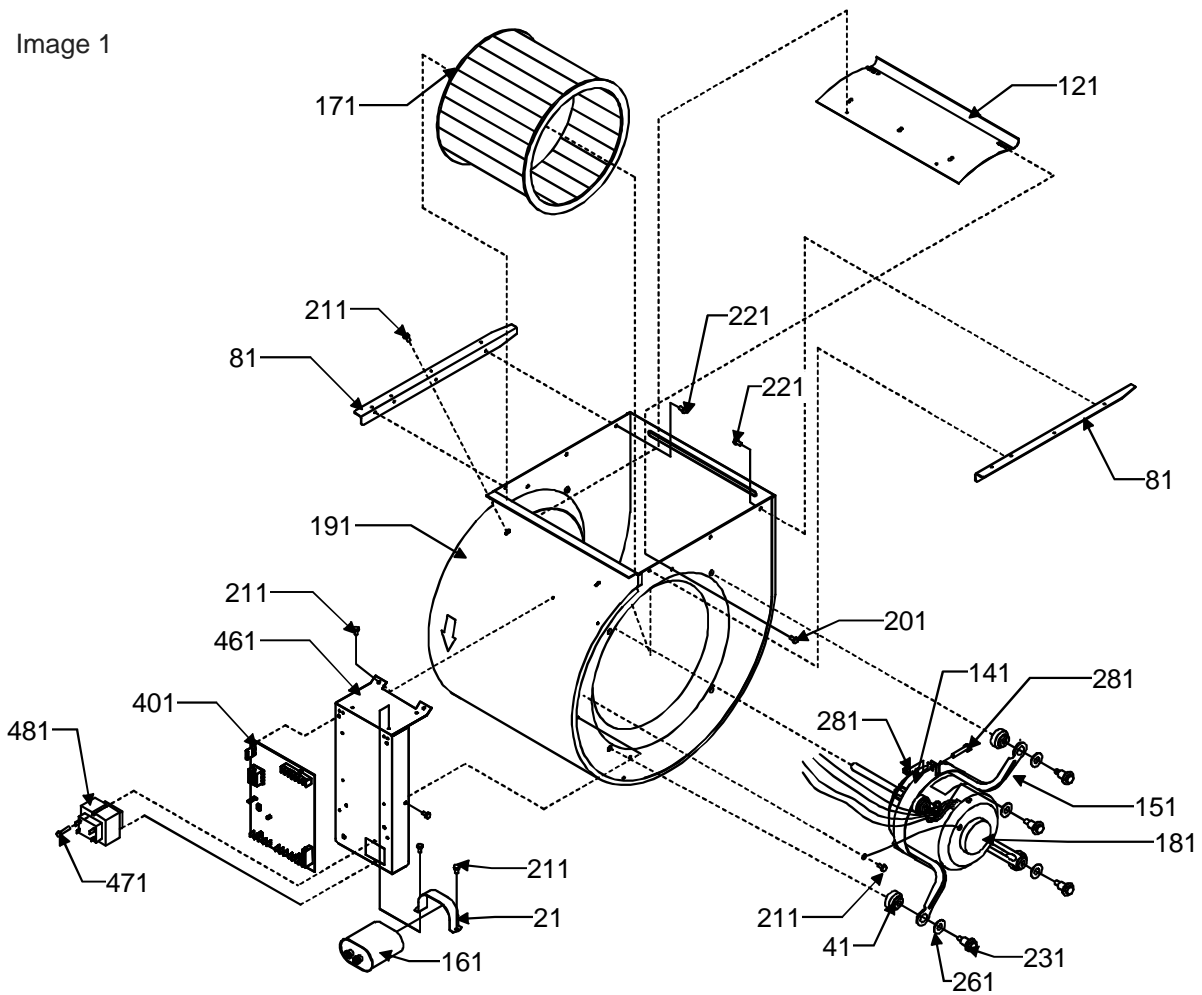
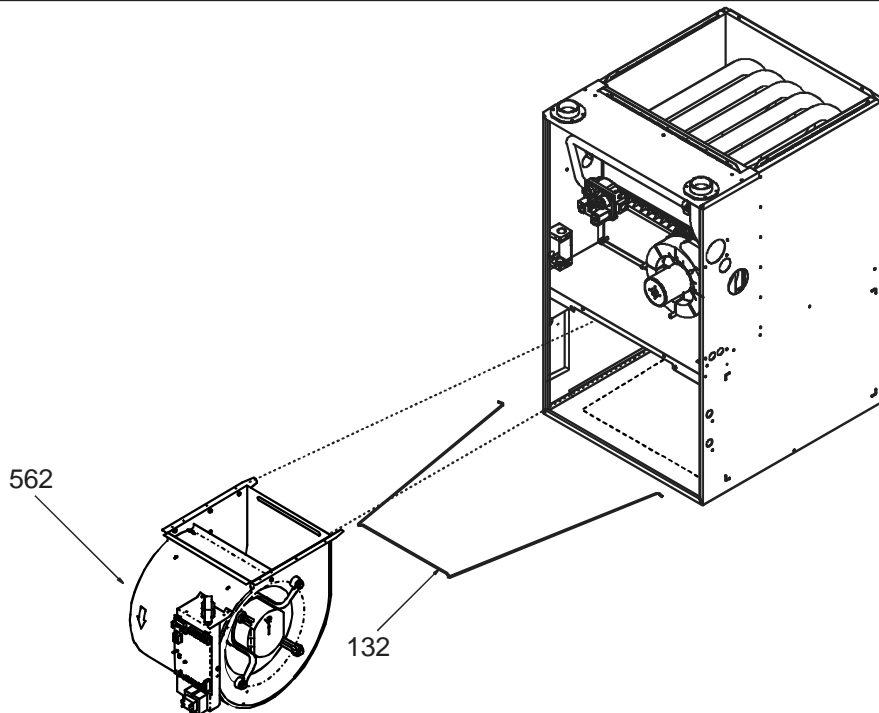


Image 2



Blower Assembly

Ref. Part No:	Part No:	Description:	Ref. Part No:	Part No:	Description:
---------------	----------	--------------	---------------	----------	--------------

Image 1:

21	A3410501	STRAP-CAPACITOR (M1, M2, M4, M5, M6, M8, M9, M10, M12)
21	A4055402	STRAP-CAPACITOR (M3, M7, M11)
41	A4002701	GROMMET (QTY 4)
81	20175101	RAIL-BLWR SIDE (QTY 2)
121	C6121803	CUTOFF (M1, M5, M9)
121	C6121806	CUTOFF (M2, M6, M10)
121	C6121807	CUTOFF (M3, M4, M7, M8, M11, M12)
141	10441601	BAND-MTR MOUNT
151	10441501	ARM-MTR MOUNT (QTY 4)
161	D6879740	CAPACITOR (M4, M8, M12)
161	D6879746	CAPACITOR (M1, M2, M5, M6, M9, M10)
161	D6879748	CAPACITOR (M3, M7, M11)
171	D6723311	WHEEL-BLOWER (M4, M8, M12)
171	D6723319	WHEEL-BLOWER (M1, M5, M9)
171	D6723320	WHEEL-BLOWER (M2, M3, M6, M7, M10, M11)
181	10759309	MOTOR BLOWER 1/2 HP (M2, M6, M10)
181	10759310	MOTOR-BLOWER 1/2 HP (M1, M5, M9)
181	10759311	MOTOR-BLOWER 1/2 HP (M4, M8, M12)
181	10759415	MOTOR-BLOWER 3/4 HP (M3, M7, M11)
191	11185807	HSG WELD-11X10 (M3, M4, M7, M8, M11, M12)
191	11185805	HSG WELD-11X7 (M1, M5, M9)
191	11185806	HSG WELD-11X9 (M2, M6, M10)
201	M0211020	SCREW-SM #8-7/8 (QTY 2)
211	M0219916	SCREW-SM (QTY 8)
221	M0253516	SCREW-TR (QTY 6)
231	M0221461	SCREW-TC (QTY 4)
261	M0274008	WASHER-FLAT (QTY 4)
281	M0282015	NUT-KEPS
401	20300001	CONTROL-INTEG
461	10746205	BRACKET-CONT
471	M0216536	SCREW-SM (QTY 2)
481	C6349703	TRANSFORMER

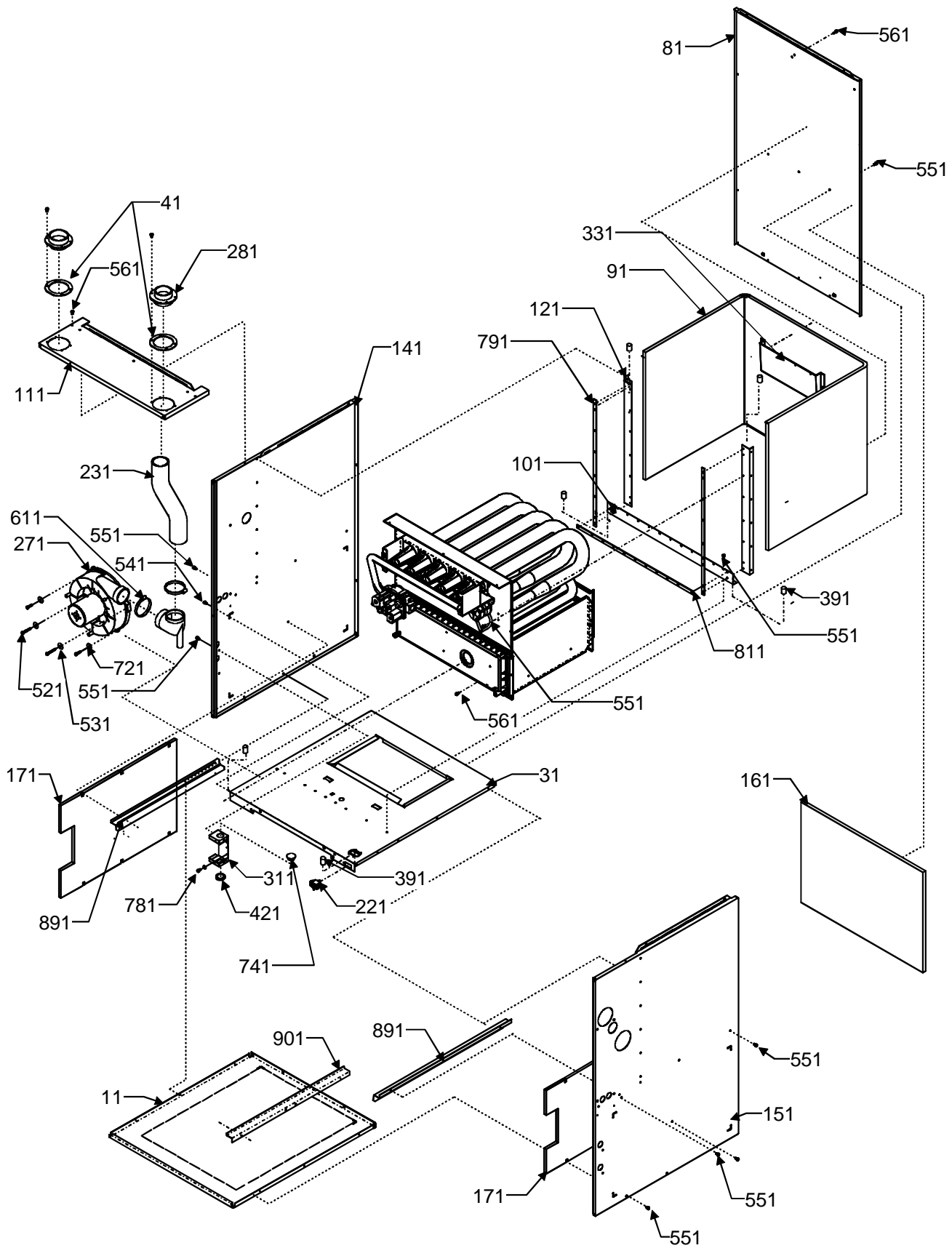
Image 2:

132	20178501	RETAINER-FILTER
562	M0219918	SCREW-SM #8-5/8 (QTY AR)

Expanded Model and Color Nomenclature

M1 - GUSA070BX35	P1239502F
M2 - GUSA090BX40	P1239504F
M3 - GUSA090BX50	P1239505F
M4 - GUSA115BX50	P1239506F
M5 - GUSA070BX35	P1242002F
M6 - GUSA090BX40	P1242004F
M7 - GUSA090BX50	P1242005F
M8 - GUSA115BX50	P1242006F
M9 - GUSA070CX35	P1252802F
M10 - GUSA090CX40	P1252804F
M11 - GUSA090CX50	P1252805F
M12 - GUSA115CX50	P1252806F

Cabinet Assembly



Cabinet Assembly

Ref. Part No:	Part No:	Description:	Ref. Part No:	Part No:	Description:
<i>Image 1:</i>			811	20194603	GASKET (M3, M4, M7, M8)
11	20273401	BASEPAN, UPFLOW (M1, M5, M9)	891	10690301	ANGLE-FILTER (QTY 2)
11	20273404	BASEPAN, UPFLOW (M2, M6, M10)	901	20242801	RAIL-FILTER (QTY 2)
11	20273405	BASEPAN, UPFLOW (M3, M4, M7, M8, M11, M12)	Expanded Model and Color Nomenclature		
31	20190225	DECK-BLOWER (M1, M5, M9)	M1 - GUSA070BX35		P1239502F
31	20190226	DECK-BLOWER (M2, M6, M10)	M2 - GUSA090BX40		P1239504F
31	20190227	DECK-BLOWER (M3, M4, M7, M8, M11, M12)	M3 - GUSA090BX50		P1239505F
41	20179305	GASKET (M1, M5, M9)	M4 - GUSA115BX50		P1239506F
41	20179306	GASKET (M2, M6, M10)	M5 - GUSA070BX35		P1242002F
41	20179307	GASKET (M3, M4, M7, M8, M11, M12)	M6 - GUSA090BX40		P1242004F
81	20273201	PANEL-BACK (M1, M5, M9)	M7 - GUSA090BX50		P1242005F
81	20273202	PANEL-BACK (M2, M6, M10)	M8 - GUSA115BX50		P1242006F
81	20273203	PANEL-BACK (M3, M4, M7, M8, M11, M12)	M9 - GUSA070CX35		P1252802F
91	C6415907	INSUL-HT EX (M1, M5, M9)	M10 - GUSA090CX40		P1252804F
91	C6415908	INSUL-HT EX (M2, M6, M10)	M11 - GUSA090CX50		P1252805F
91	C6415909	INSUL-HT EX (M3, M4, M7, M8, M11, M12)	M12 - GUSA115CX50		P1252806F
101	20191301	RAIL-DECK (M1, M5, M9)			
101	20191302	RAIL-DECK (M2, M6, M10)			
101	20191303	RAIL-DECK (M3, M4, M7, M8, M11, M12)			
111	20194501	COVER ASSY (M1, M5, M9)			
111	20194502	COVER ASSY (M2, M6, M10)			
111	20194503	COVER ASSY (M3, M4, M7, M8, M11, M12)			
121	20191601	RAIL-SIDE (QTY 2)			
141	20193405	PANEL-L SIDE			
151	20193305	PANEL-R SIDE			
161	20006601	INSULATION (M1, M5, M9)			
161	20006602	INSULATION (M2, M6, M10)			
161	20006603	INSULATION (M3, M4, M7, M8, M11, M12)			
171	20243501	INSULATION-SIDE (QTY 2)			
221	10690401	SWITCH-INTERLOCK (M1, M2, M3, M4)			
221	10690402	SWITCH-INTERLOCK (M5, M6, M7, M8, M9, M10, M11, M12)			
231	20190503	PIPE-FLUE UF			
271	20245902	BLOWER-I.D. (M1, M2, M3, M4, M5, M6, M7, M8)			
271	20245903	I.D. BLOWER (M9, M10, M11, M12)			
281	20049701	COUPLING-FA (QTY 2)			
311	10736102	BOX-HIGH VOLT			
331	11165107	SHIELD ID BLWR			
391	M0275521	SEALER-PLASTIC (QTY AR)			
421	A4554801	BUSHING-SNAP			
521	M0218154	SCREW-SM (QTY 2)			
531	M0270544	WASHER-FLAT (QTY 4)			
541	M0216716	SCREW-SM (QTY AR)			
551	M0219916	SCREW-SM (QTY AR)			
561	M0219918	SCREW-SM #8-5/8 (QTY AR)			
611	A3326008	CLAMP-HOSE (QTY 2)			
721	M0218153	SCREW-SM (QTY 2)			
741	M0571002	BUSHING-SNAP (QTY 2)			
781	M0227803	SCREW-TC			
791	20194604	GASKET (QTY 2)			
811	20194601	GASKET (M1, M5, M9)			
811	20194602	GASKET (M2, M6, M10)			

Heat Exchanger/Manifold Assembly

Image 1

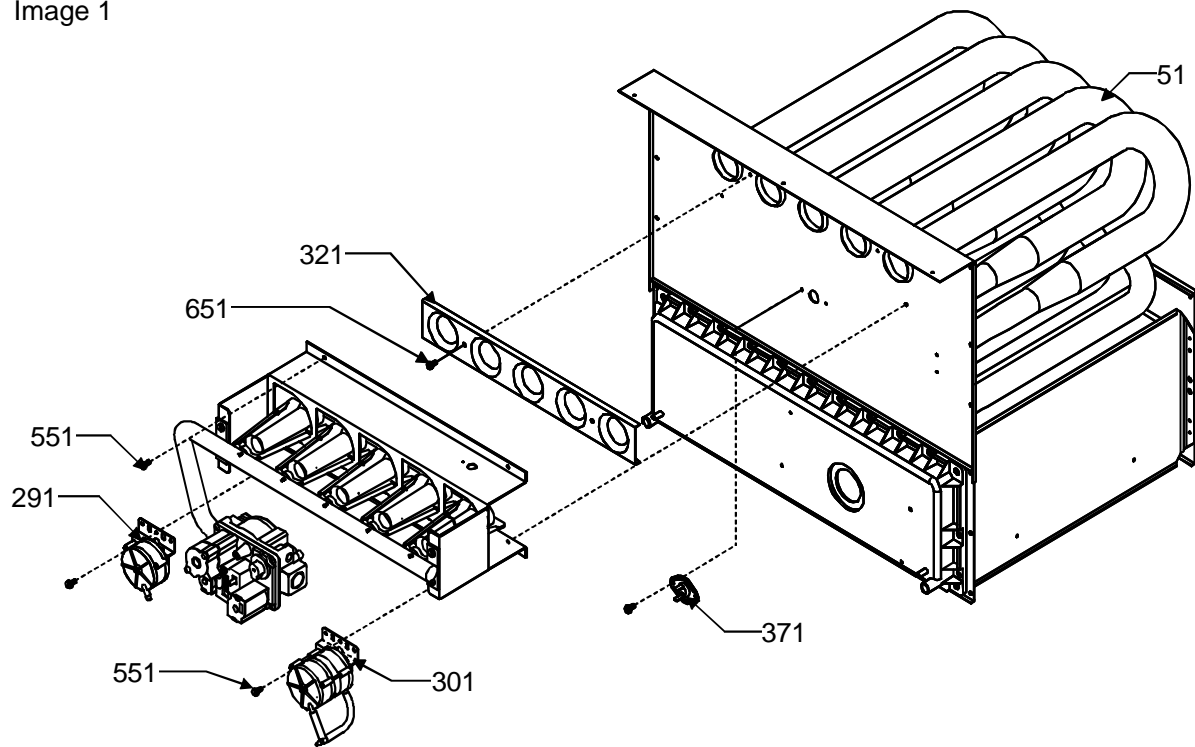
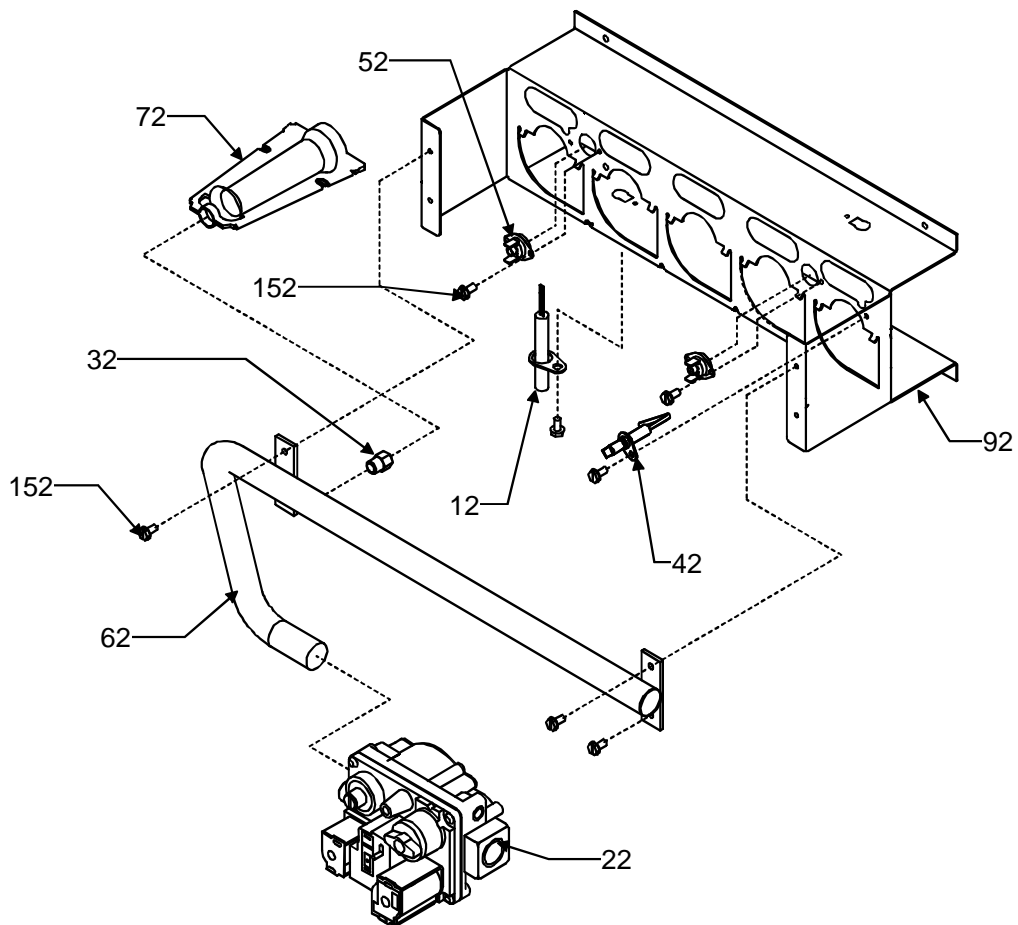


Image 2



Heat Exchanger/Manifold Assembly

Ref. Part No:	Part No:	Description:	Ref. Part No:	Part No:	Description:
---------------	----------	--------------	---------------	----------	--------------

Image 1:

51	20194202	HT EX ASSY 3B (M1, M5)
51	20494511	HT EX ASSY 3B (M9)
51	20194204	HT EX ASSY 4B (M2, M6)
51	20194205	HT EX ASSY 4B (M3, M7)
51	20494505	HT EX ASSY 4B (M11)
51	20494512	HT EX ASSY 4B (M10)
51	20194206	HT EX ASSY 5B (M4, M8)
51	20494513	HT EX ASSY 5B (M12)
291	20197305	SWITCH-PRESSURE (COIL COVER)
301	11177117	SWITCH-PRESSURE (ID BLOWER)
321	11072202	SHIELD-ORF (M1, M5, M9)
321	11072203	SHIELD-ORF (M2, M3, M6, M7, M10, M11)
321	11072204	SHIELD-ORF (M4, M8, M12)
371	20162904	LIMIT (PRIMARY) (M2, M3, M4, M6, M7, M8, M10, M11, M12)
371	20162907	LIMIT (PRIMARY) (M1, M5, M9)
551	M0219916	SCREW-SM (QTY AR)
651	M0211020	SCREW-SM #8-7/8 (QTY 2)
NS	20193001	BAFFLE-AIR (M3, M7, M11)
NS	M0211345	SCREW-SM (M3, M5, M6, M7, M8)

Image 2:

12	11111701	IGNITOR-SINI (M5, M6, M7, M8, M9, M10, M11, M12)
12	11111702	IGNITOR-SINI (M1, M2, M3, M4)
22	C6476909	VALVE-GAS
32	10716003	ORIFICE (QTY AR)
42	10735201	FLAME-SENSOR
52	10123537	LIMIT-RESET (ROLLOUT) (M2, M10)
52	10123533	LIMIT-RESET MAN (ROLLOUT) (M1, M5, M9)
52	10123534	LIMIT-RESET MAN (ROLLOUT) (M3, M4, M7, M8, M11, M12)
62	20196402	MANIFOLD (M1, M5, M9)
62	20196403	MANIFOLD (M2, M3, M6, M7, M10, M11)
62	20196404	MANIFOLD (M4, M8, M12)
72	10735102	BECKETT BURNER (QTY AR)
92	20190407	BRKT-BURNER 3B (M1, M5, M9)
92	20190408	BRKT-BURNER 4B (M2, M3, M6, M7, M10, M11)
92	20190409	BRKT-BURNER 5B (M4, M8, M12)
152	M0219916	SCREW-SM (QTY AR)

Expanded Model and Color Nomenclature

M1 - GUSA070BX35	P1239502F
M2 - GUSA090BX40	P1239504F
M3 - GUSA090BX50	P1239505F
M4 - GUSA115BX50	P1239506F
M5 - GUSA070BX35	P1242002F
M6 - GUSA090BX40	P1242004F
M7 - GUSA090BX50	P1242005F
M8 - GUSA115BX50	P1242006F
M9 - GUSA070CX35	P1252802F
M10 - GUSA090CX40	P1252804F
M11 - GUSA090CX50	P1252805F
M12 - GUSA115CX50	P1252806F

Recoupe Coil Assembly/Standpipe Assembly

Image 1

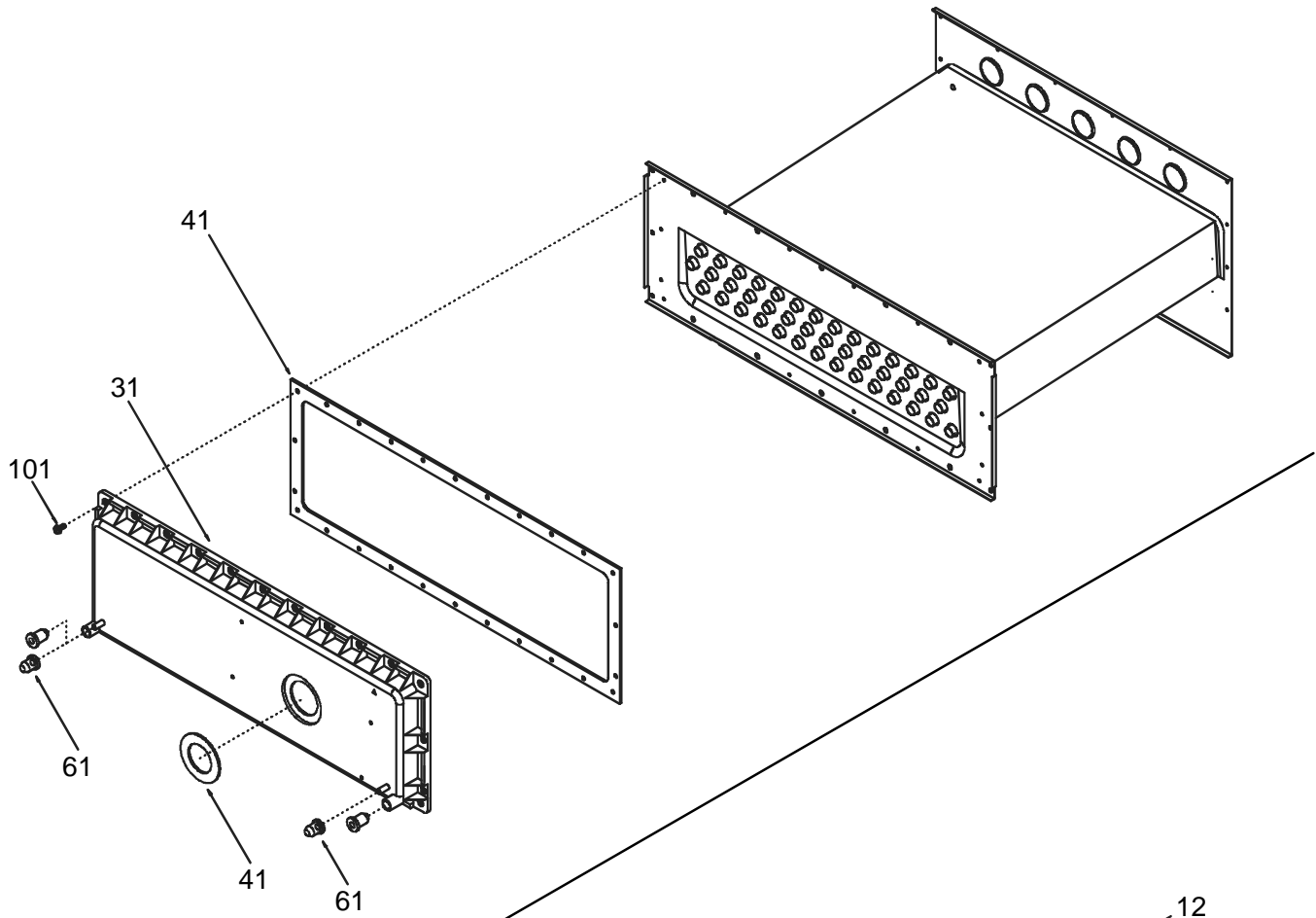
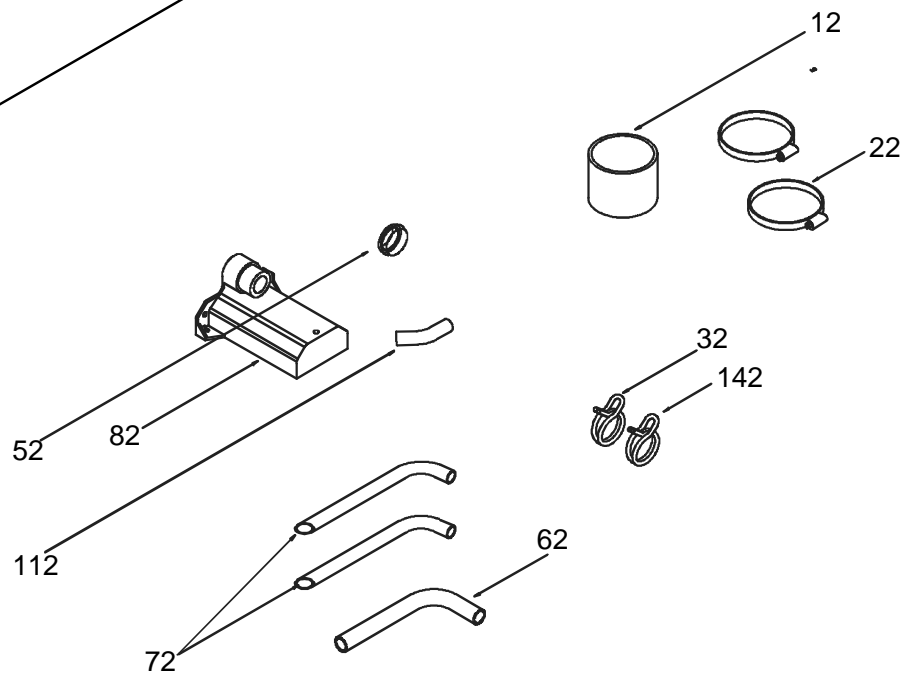


Image 2



Recoupe Coil Assembly/Standpipe Assembly

Ref. Part No: No:	Description:	Ref. Part No: No:	Description:
-------------------	--------------	-------------------	--------------

Image 1:

31	20170802	COVER-FRONT (M1, M5, M9)
31	20170902	COVER-FRONT (M2, M6, M10)
31	20171001	COVER-FRONT (M3, M7, M11)
31	20171002	COVER-FRONT (M4, M8, M12)
41	20215701	GASKET-COIL (M1, M5, M9)
41	20215702	GASKET-COIL (M2, M6)
41	20215703	GASKET-COIL (M3, M4, M7, M8, M11, M12)
41	20404402	GASKET-COIL (M10)
61	M0326804	PLUG-TUBE (QTY 4)
101	M0211031	SCREW-SM #10-5/8 (QTY AR)

Image 2:

12	10254303	COUPLING-RUBBER
22	A3326008	CLAMP-HOSE (QTY 2)
32	M0119207	CLAMP-HOSE (RED) (QTY 2)
52	M0570804	PLUG-BUTTON
62	20201901	HOSE-DRAIN
72	20201801	TUBE-DRAIN (QTY 2)
82	20171701	DRAIN TRAP
112	20214202	DRAIN-ANGLE
142	M0119205	CLAMP-HOSE (GREEN) (QTY 5)

Expanded Model and Color Nomenclature

M1 - GUSA070BX35	P1239502F
M2 - GUSA090BX40	P1239504F
M3 - GUSA090BX50	P1239505F
M4 - GUSA115BX50	P1239506F
M5 - GUSA070BX35	P1242002F
M6 - GUSA090BX40	P1242004F
M7 - GUSA090BX50	P1242005F
M8 - GUSA115BX50	P1242006F
M9 - GUSA070CX35	P1252802F
M10 - GUSA090CX40	P1252804F
M11 - GUSA090CX50	P1252805F
M12 - GUSA115CX50	P1252806F