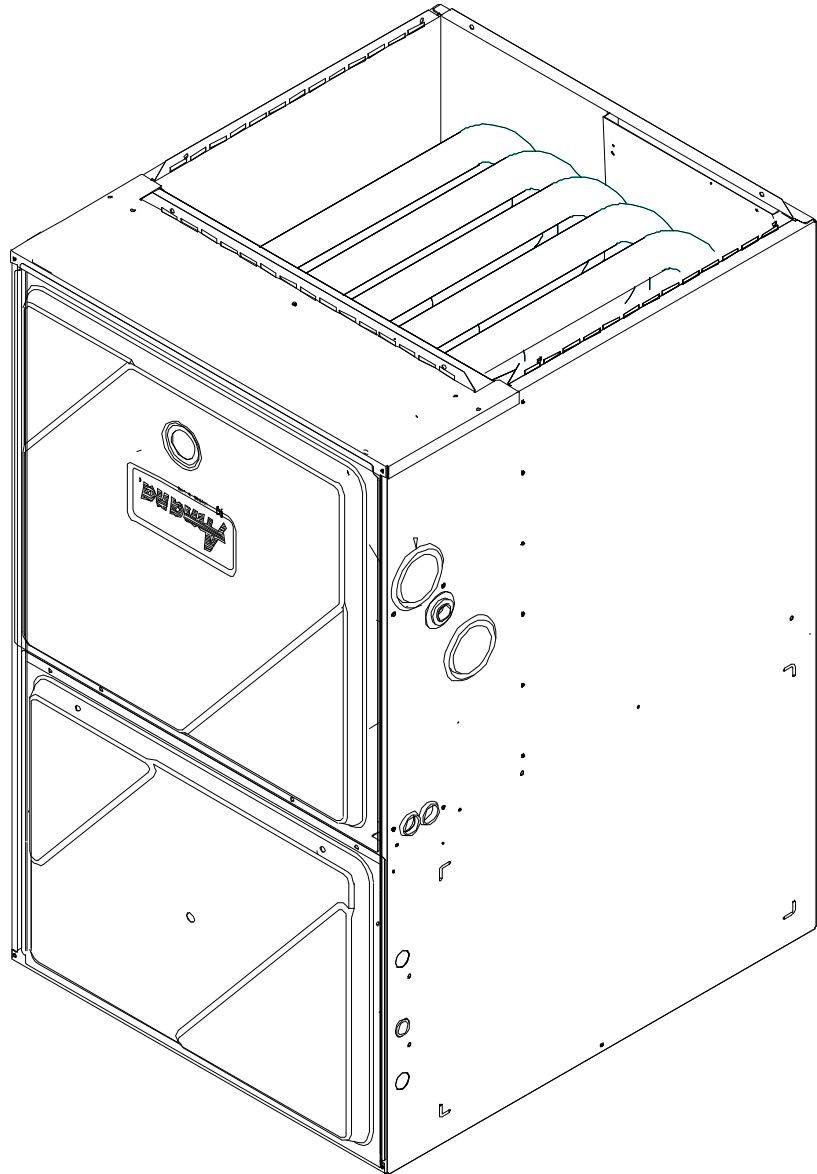


## GCVA 90% Gas Furnace

GCVA070BX40	P1237403F
GCVA070BX40	P1242203F
GCVA070CX40	P1253003F
GCVA090BX50	P1237405F
GCVA090BX50	P1242205F
GCVA090CX50	P1253005F



Amana® is a registered trademark of Maytag Corporation or its related companies and is used under license. All rights reserved.

This manual is to be used by qualified technicians only.

This manual replaces RP6612001 Rev. 2.

© 2001-2003,2016 Goodman Company, L.P. ♦ 5151 San Felipe St., Suite 500 ♦ Houston, TX 77056

# Important Information

---

## Index

Functional Parts List .....	3
Illustration and Parts .....	4 - 13

*Views shown are for parts illustrations only, not servicing procedures*

### Text Codes:

AR - As Required

NA - Not Available

NS - Not Shown

00000000 - See Note

QTY - Quantity Example (QTY 3) (If Quantity not shown, Quantity = 1)

M - Model Example (M1) (If M Code not shown, then part is used on all Models)

### Expanded Model Nomenclature:

Example M1 - Model#1 M2 - Model#2 M3 - Model#3
---

Goodman Company, L.P. is not responsible for personal injury or property damage resulting from improper service. Review all service information before beginning repairs.

Warranty service must be performed by an authorized technician, using authorized factory parts. If service is required after the warranty expires, Goodman Company, L.P. also recommends contacting an authorized technician and using authorized factory parts.

Goodman Company, L.P. reserves the right to discontinue, or change at any time, specifications or designs without notice or without incurring obligations.

For assistance within the U.S.A. contact:

Consumer Affairs Department

Goodman Company, L.P.

7401 Security Way

Houston, Texas 77040

877-254-4729-Telephone

713-863-2382-Facsimile

For assistance outside the U.S.A. contact:

International Division

Goodman Company, L.P.

7401 Security Way

Houston, Texas 77040

713-861-2500-Telephone

713-863-2382-Facsimile

# Functional Parts

**Part No:**      **Description:**

10735102	BECKETT BURNER (QTY AR)
D6723320	BLOWER WHEEL
20245902	BLOWER-I.D. (M1, M2)
20245903	BLOWER-ID (M3, M4, M5, M6)
20300002	CONTROL-INTEG (M1, M2, M3, M4)
20300004	CONTROL-INTEG (M5, M6)
10735201	FLAME SENSOR
20275902	HARNESS-WIRING (CIRCULATOR BLOWER 5 PIN CONNECTOR)
20158801	HARNESS-WIRING (ECM INTERFACE 16 PIN CONNECTOR) (M1, M2)
20276004	HARNESS-WIRING (MAIN 12 PIN CONNECTOR) (M1, M2)
20276009	HARNESS-WIRING (MAIN 12 PIN CONNECTOR) (M3, M4, M5, M6)
20194403	HEAT EXCHANGER ASSY 3B (M1, M3)
20194413	HEAT EXCHANGER ASSY 3B FUR (M5)
20194405	HEAT EXCHANGER ASSY 4B (M2, M4)
20194415	HEAT EXCHANGER ASSY 4B FUR (M6)
11111702	IGNITOR-SINI (M1, M2)
10690402	INTERLOCK SWITCH (M3, M4, M5, M6)
10123517	MANUAL RESET LIMIT (M2, M4, M6)
10123518	MANUAL RESET LIMIT (M1, M3, M5)
10123536	MANUAL RESET LIMIT 180°F (M2, M4, M6)
10123534	MANUAL RESET LIMIT 220°F (M1, M3, M5)
20257913	MOTOR BLWR-EC 1 (M2, M4, M6)
20257811	MOTOR BLWR-EC 3/4 (M1, M3, M5)
10716003	ORIFICE (QTY AR)
11177118	PRESURE SWITCH-LIME
20162903	PRIMARY LIMIT - BLUE (M1, M3, M5)
20162908	PRIMARY LIMIT - GREEN (M2, M4, M6)
11111701	SINI IGNITOR (M3, M4, M5, M6)
10690401	SWITCH-INTERLOCK (M1, M2)
20197306	SWITCH-PRESSURE (COILCOVER)
C6349703	TRANSFORMER
C6476909	VALVE-GAS
11118705	WIRING HARNESS (16-PIN, MOTOR TO INTERFACE BOARD) (M3, M4, M5, M6)

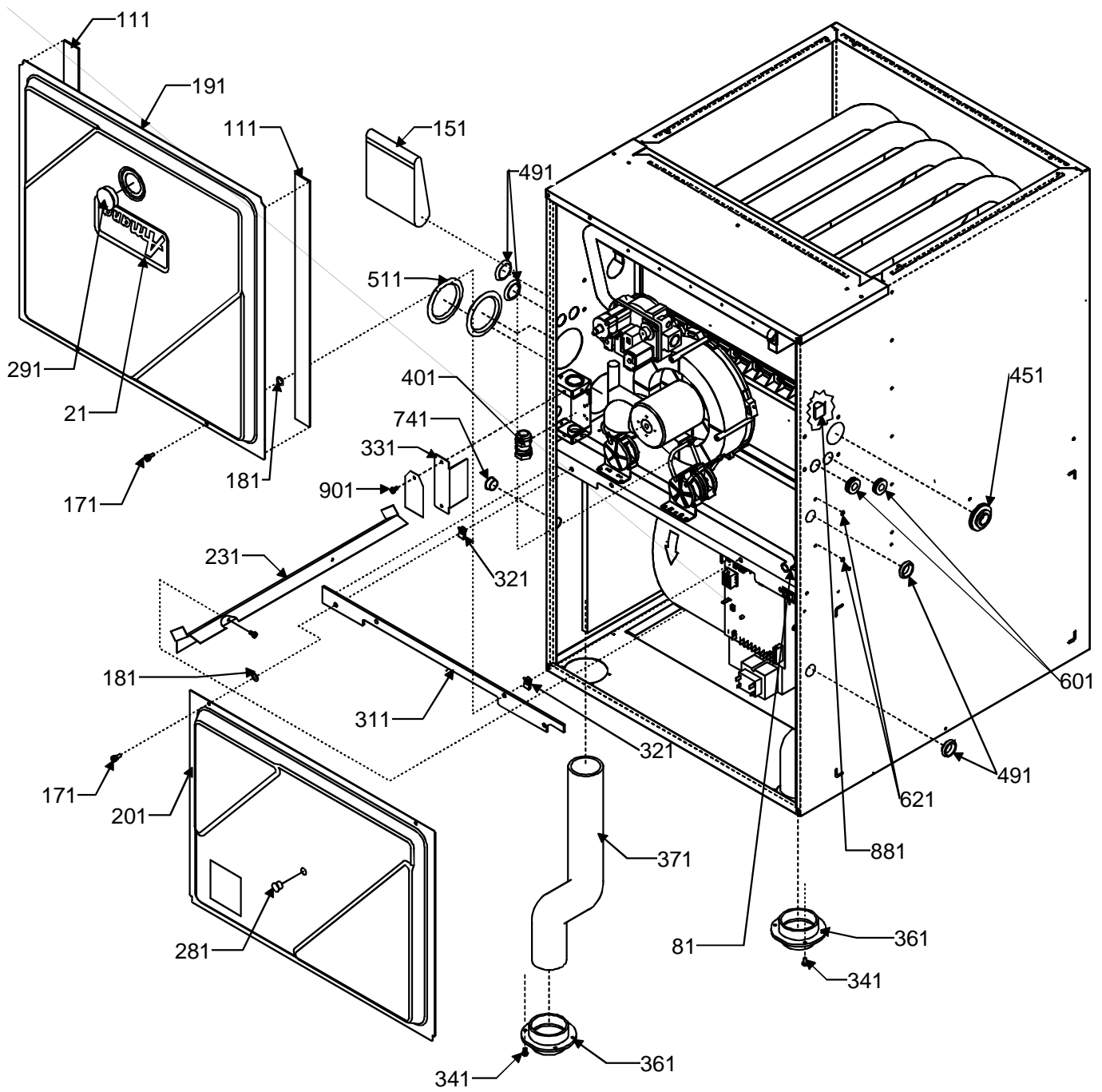
## Expanded Model Nomenclature

M1 - GCVA070BX40	P1237403F
M2 - GCVA090BX50	P1237405F
M3 - GCVA070BX40	P1242203F
M4 - GCVA090BX50	P1242205F
M5 - GCVA070CX40	P1253003F
M6 - GCVA090CX50	P1253005F

## SPECIAL PARTS

20201902	DRAIN HOSE
10318734	INSTRUCT-INSTALL
RP6612001	MANUAL PARTS
RS6600001	MANUAL SERVICE
RT6612004	MANUAL TECHNICAL
10318823	MANUAL-USERS
10261301	SCREEN-VENT
10261302	SCREEN-VENT
10195512	STNDPIPE BAG ASSY

# Cabinet Assembly and Blower Mounting



# Cabinet Assembly and Blower Mounting

Ref. Part No: No:	Description:	Ref. Part No: No:	Description:
<b>Image 1:</b>			
21	20213216		NAMEPLATE-AMANA
81	20201902		DRAIN HOSE
111	20179308		GASKET (QTY 2)
151	10195512		STNDPIPE BAG ASSY
171	M0204317		SCREW-MACHINE (QTY 4)
181	M0273904		RETAINER-SCREW (QTY 4)
191	20177407		ACCESS DOOR (M2, M4, M6)
191	20273102		ACCESS DOOR (M1, M3, M5)
201	20177305		BLOWER ACCESS DOOR (M1, M3, M5)
201	20177306		BLOWER ACCESS DOOR (M2, M4, M6)
231	10368501		RAIL-FILTER
281	11104001		VIEW PORT BUSHING-BLOWER DOOR
291	11104002		VIEW PORT BUSHING-ACCESS DOOR
311	20339302		DECK GASKET (M1, M3, M5)
311	20339303		DECK GASKET (M2, M4, M6)
321	91000301		NUT-U SPEED (QTY 4)
341	M0219918		SCREW-SM #8-5/8 (QTY AR)
361	20049701		COUPLING-FA (QTY 2)
371	20190504		PIPE-FLUE FA
401	M0571302		BUSHING-W/SEAL
451	M0501301		PIPE GROMMET
491	M0570804		PLUG-BUTTON (QTY 4)
511	M0570803		PLUG-BUTTON (QTY 2)
601	A4691701		GROMMET (QTY 2)
621	M0310328		PLUG-TAN BUTTON (QTY 2)
741	M0571002		BUSHING-SNAP (QTY 2)
881	M0104102		CLIP-CORD
901	M0216529		SCREW-SM (M3, M4, M5, M6)
NS	B1410318		HOSE-PRESS SW (M5, M6)
NS	B1410304		HOSE-PRESSURE SW (COVER COIL) (M1, M3, M5)
NS	B1410316		HOSE-PRESSURE SW (COVER COIL) (M2, M4, M6)

## Expanded Model Nomenclature

M1 - GCVA070BX40	P1237403F
M2 - GCVA090BX50	P1237405F
M3 - GCVA070BX40	P1242203F
M4 - GCVA090BX50	P1242205F
M5 - GCVA070CX40	P1253003F
M6 - GCVA090CX50	P1253005F

# Blower Assembly

Image 1

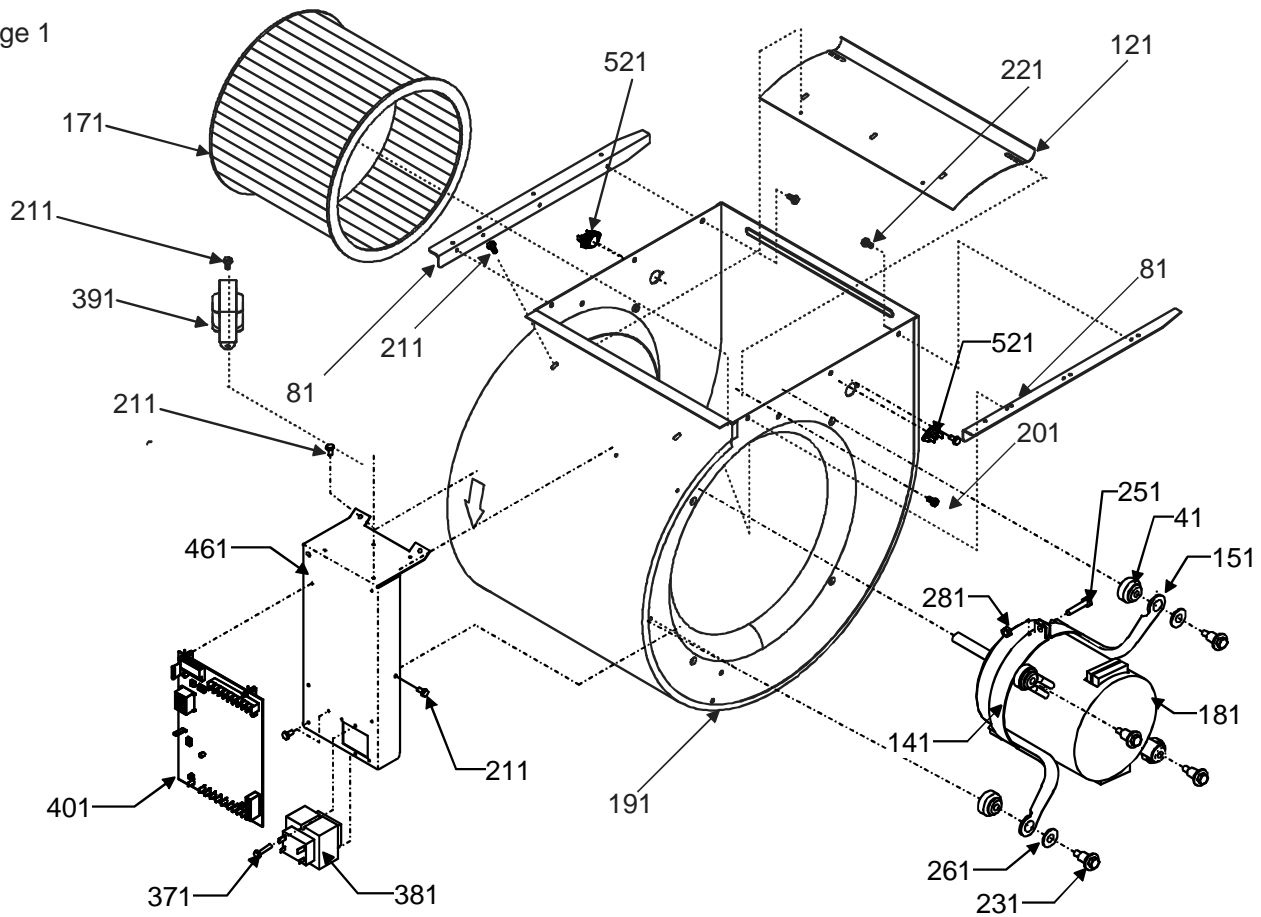
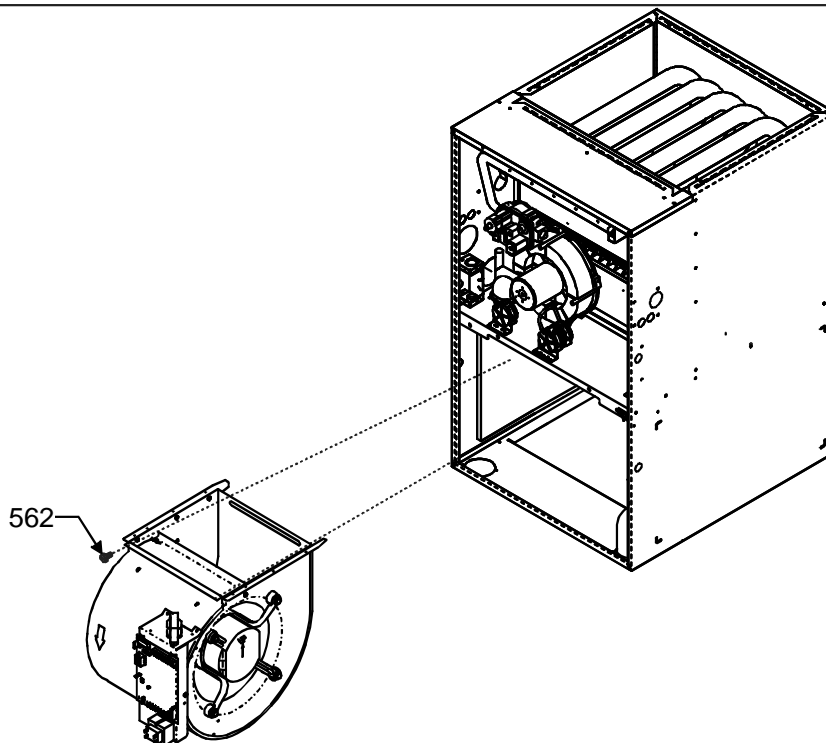


Image 2



# Blower Assembly

Ref. Part No: No:	Description:	Ref. Part No: No:	Description:
-------------------	--------------	-------------------	--------------

**Image 1:**

41	A4002701	BLOWER MOTOR GROMMET (QTY 4)
81	20175101	BLOWER SIDE RAIL (QTY 2)
121	C6121806	BLOWER CUT-OFF (M1, M3, M5)
121	C6121807	BLOWER CUT-OFF (M2, M4, M6)
141	10441601	MOTOR MOUNT BAND
151	10441501	MOTOR MOUNT ARM (QTY 4)
171	D6723320	BLOWER WHEEL
181	20257913	MOTOR BLWR-EC 1 (M2, M4, M6)
181	20257811	MOTOR BLWR-EC 3/4 (M1, M3, M5)
191	11185811	BLOWER HOUSING 11 X 10 (M2, M4, M6)
191	11185810	BLOWER HOUSING 11 X 9 (M1, M3, M5)
201	M0211020	SCREW-SM #8-7/8 (QTY 2)
211	M0219916	SCREW-SM (QTY AR)
221	M0253516	SCREW-TR (QTY 6)
231	M0221461	TC SCREW (QTY 4)
251	M0267144	MACHINE SCREW
281	M0282015	KEPS NUT
371	M0216536	SCREW-SM (QTY 2)
381	C6349703	TRANSFORMER
391	20218901	INDUCTOR COIL
401	20300002	CONTROL-INTEG (M1, M2, M3, M4)
401	20300004	CONTROL-INTEG (M5, M6)
461	10746205	CONTROL BRACKET
521	10123518	MANUAL RESET LIMIT (M1, M3, M5)
521	10123536	MANUAL RESET LIMIT 180°F (M2, M4, M6)
NS	20193001	AIR BAFFLE (M5, M6)

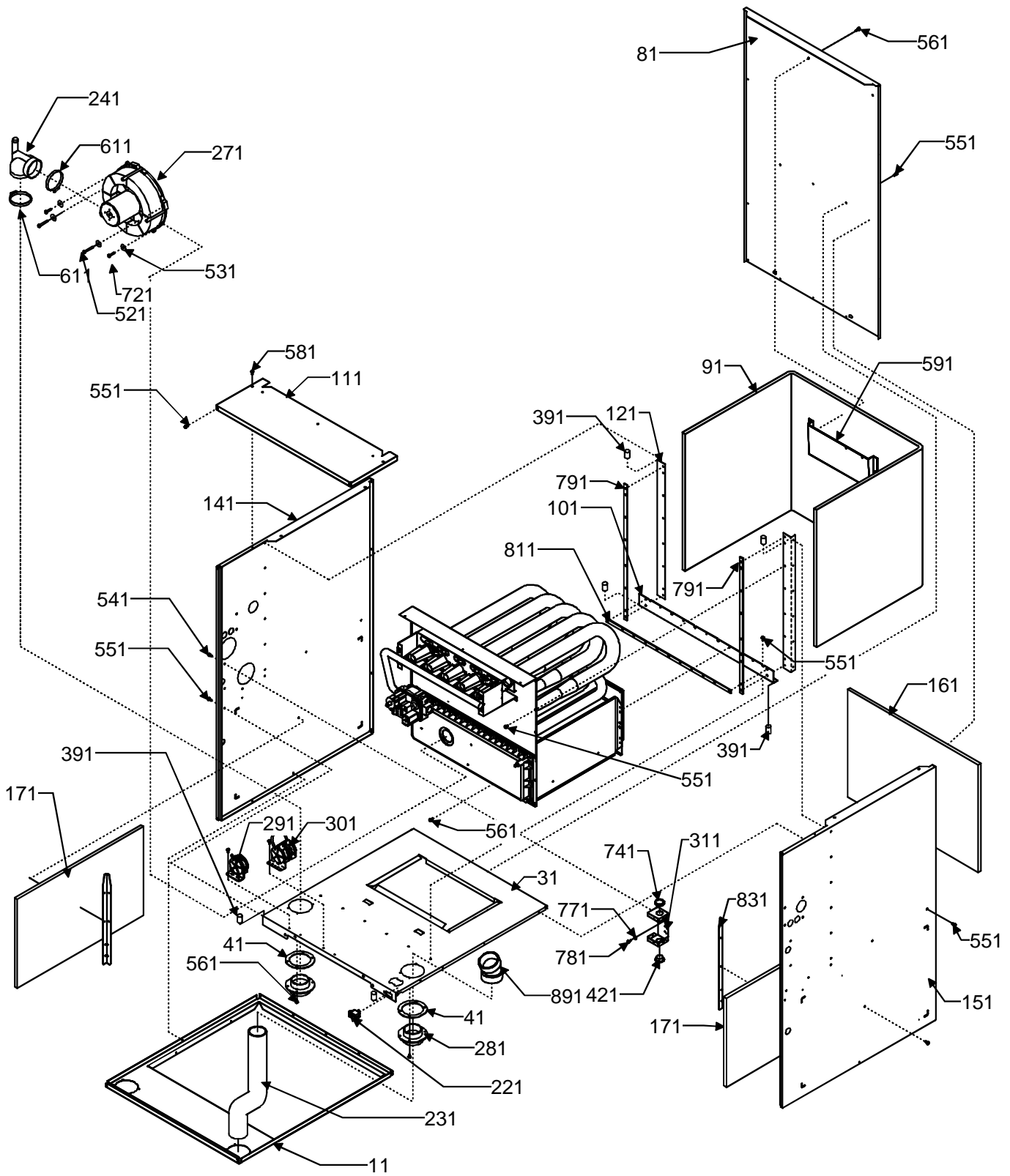
**Image 2:**

562	M0219918	SCREW-SM #8-5/8 (QTY AR)
-----	----------	--------------------------

**Expanded Model Nomenclature**

M1 - GCVA070BX40	P1237403F
M2 - GCVA090BX50	P1237405F
M3 - GCVA070BX40	P1242203F
M4 - GCVA090BX50	P1242205F
M5 - GCVA070CX40	P1253003F
M6 - GCVA090CX50	P1253005F

# Cabinet Assembly



# Cabinet Assembly

Ref. Part No: No:	Description:	Ref. Part No: No:	Description:
-------------------	--------------	-------------------	--------------

**Image 1:**

11	20273502	BASEPAN-C'FLOW (M1, M3, M5)
11	20273503	BASEPAN-C'FLOW (M2, M4, M6)
31	20190215	BLOWER DECK (M2, M4)
31	20190214	DECK-BLWR (M1, M3, M5)
41	20215702	GASKET (M1, M3)
41	20215703	GASKET (M2, M4)
81	20273205	PANEL-BACK (M1, M3, M5)
81	20273206	PANEL-BACK (M2, M4, M6)
91	C6415908	HEAT EXCHANGER INSULATION (M1, M2, M3, M4, M5)
91	C6415909	HEAT EXCHANGER INSULATION (M6)
101	20191302	DECK RAIL (M1, M3, M5)
101	20191303	DECK RAIL (M2, M4, M6)
111	20191403	PARTITION PANEL 3B (M1, M3, M5)
111	20191405	PARTITION PANEL 4B (M2, M4, M6)
121	20191601	SIDE RAIL (QTY 2)
141	20193406	PANEL-L SIDE
151	20193306	PANEL-R SIDE
161	20006602	INSULATION (M1, M3, M5)
161	20006603	INSULATION (M2, M4, M6)
171	20006604	SIDE INSULATION (QTY 2)
221	10690402	INTERLOCK SWITCH (M3, M4, M5, M6)
221	10690401	SWITCH-INTERLOCK (M1, M2)
231	20190504	PIPE-FLUE FA (QTY AR)
241	20171801	ELBOW
271	20245902	BLOWER-I.D. (M1, M2)
271	20245903	BLOWER-ID (M3, M4, M5, M6)
281	20049701	FA COUPLING (QTY AR)
291	20197306	SWITCH-PRESSURE (COILCOVER)
301	11177118	PRESURE SWITCH-LIME
421	A4554801	SNAP BUSHING
521	M0218154	SMALL SCREW (QTY 2)
541	M0216716	SCREW-SM (QTY 4)
551	M0219916	SCREW-SM (QTY AR)
561	M0219918	SCREW-SM #8-5/8 (QTY AR)
581	M0211530	SCREW-SM (QTY 5)
591	11165107	ID BLOWER SHIELD
611	A3326008	HOSE CLAMP (QTY 2)
721	M0218153	SCREW-SM (QTY 2)
741	M0571002	BUSHING-SNAP (QTY 2)
771	M0270001	WASHER-CUP
781	M0227803	SCREW-TC
791	20194604	GASKET (QTY 2)
811	20194602	GASKET (M1, M3, M5)
811	20194603	GASKET (M2, M4, M6)
831	20175101	RAIL-BLWR SIDE (QTY 2)
891	C6455901	ELBOW-22 1/2 ELL

**Expanded Model Nomenclature**

M1 - GCVA070BX40	P1237403F
M2 - GCVA090BX50	P1237405F
M3 - GCVA070BX40	P1242203F
M4 - GCVA090BX50	P1242205F
M5 - GCVA070CX40	P1253003F
M6 - GCVA090CX50	P1253005F

# Heat Exchanger/Manifold Assembly

Image 1

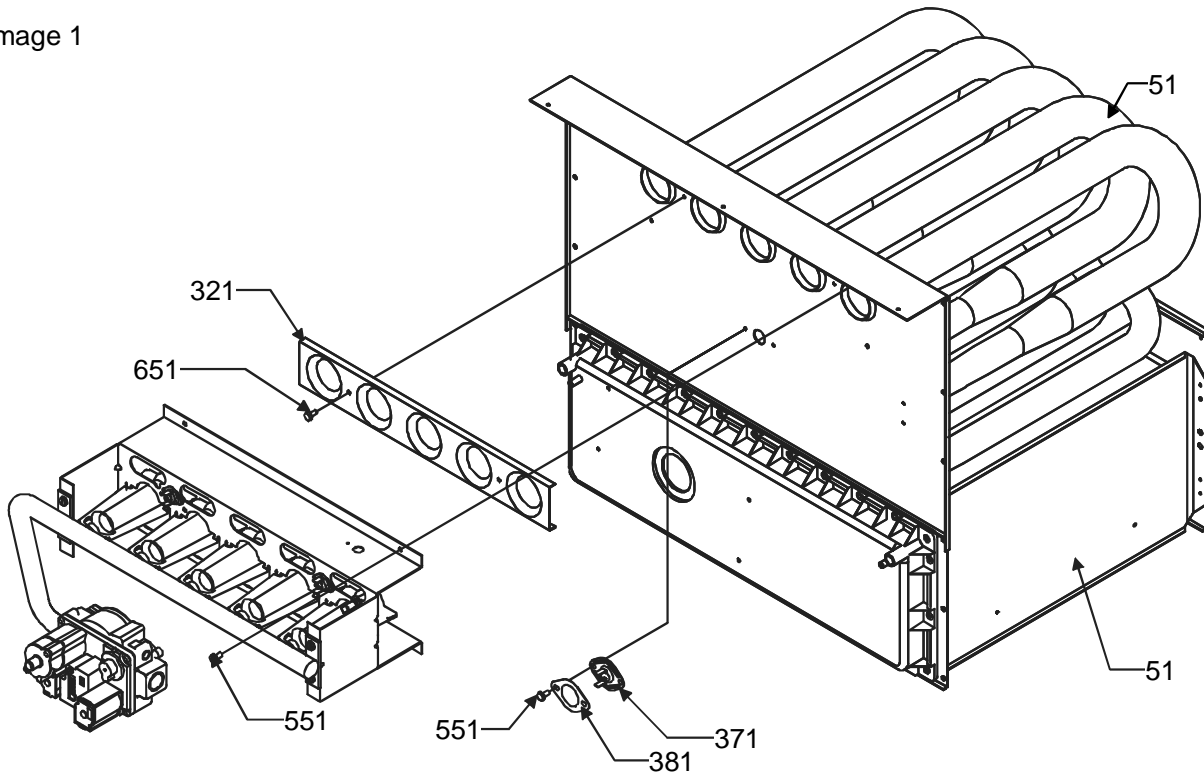
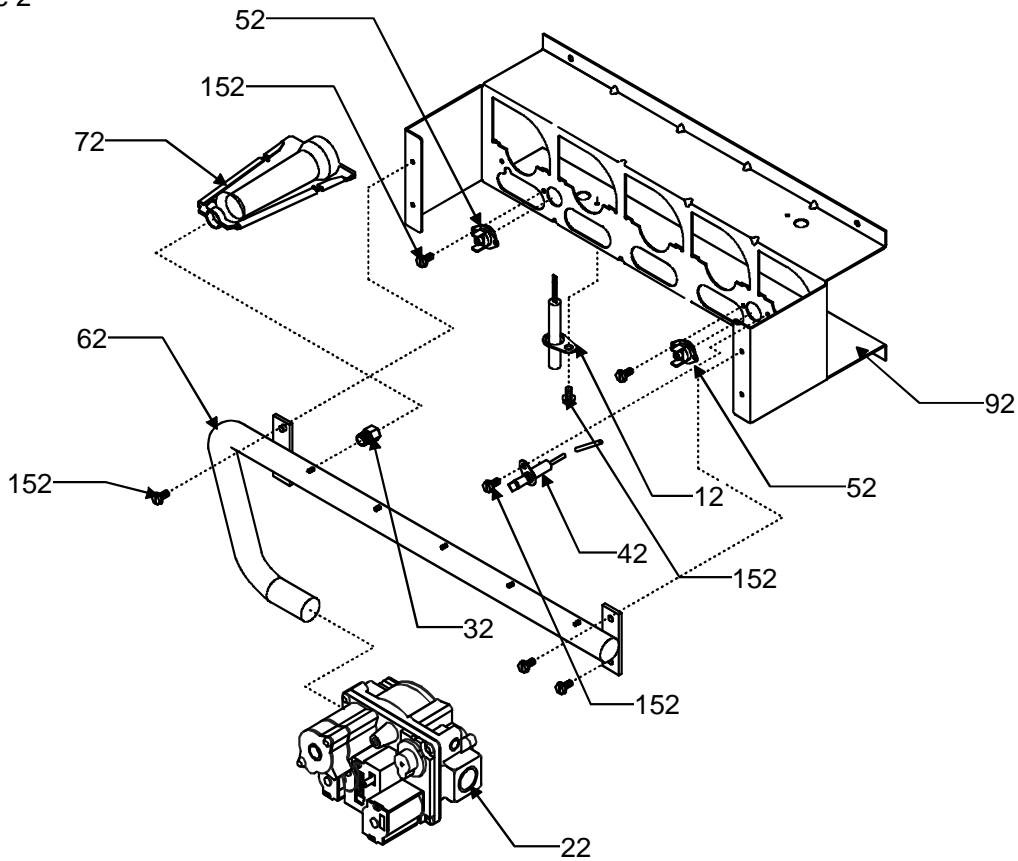


Image 2



# Heat Exchanger/Manifold Assembly

Ref. Part No: No:	Description:	Ref. Part No: No:	Description:
-------------------	--------------	-------------------	--------------

**Image 1:**

51	20194403	HEAT EXCHANGER ASSY 3B (M1, M3)
51	20194413	HEAT EXCHANGER ASSY 3B FUR (M5)
51	20194405	HEAT EXCHANGER ASSY 4B (M2, M4)
51	20194415	HEAT EXCHANGER ASSY 4B FUR (M6)
321	11072202	ORIFICE SHIELD (M1, M3, M5)
321	11072203	ORIFICE SHIELD (M2, M4, M6)
371	20162903	PRIMARY LIMIT - BLUE (M1, M3, M5)
371	20162908	PRIMARY LIMIT - GREEN (M2, M4, M6)
381	10236702	FRAME-WINDOW
551	M0219916	SCREW-SM (QTY AR)
651	M0211020	SCREW-SM #8-7/8 (QTY 2)

**Image 2:**

12	11111702	IGNITOR-SINI (M1, M2)
12	11111701	SINI IGNITOR (M3, M4, M5, M6)
22	C6476909	VALVE-GAS
42	10735201	FLAME SENSOR
52	10123517	MANUAL RESET LIMIT (M2, M4, M6)
52	10123534	MANUAL RESET LIMIT 220°F (M1, M3, M5)
62	20196402	MANIFOLD - 3 BRNR (M1, M3, M5)
62	20196403	MANIFOLD - 4 BRNR (M2, M4, M6)
72	10735102	BECKETT BURNER (QTY AR)
92	20190407	BURNER BRACKET 3B (M1, M3, M5)
92	20190408	BURNER BRACKET 4B (M2, M4, M6)
152	M0219916	SCREW-SM (QTY AR)

**Expanded Model Nomenclature**

M1 - GCVA070BX40	P1237403F
M2 - GCVA090BX50	P1237405F
M3 - GCVA070BX40	P1242203F
M4 - GCVA090BX50	P1242205F
M5 - GCVA070CX40	P1253003F
M6 - GCVA090CX50	P1253005F

# Recupe Coil Assembly/Standpipe Assy

Image 1

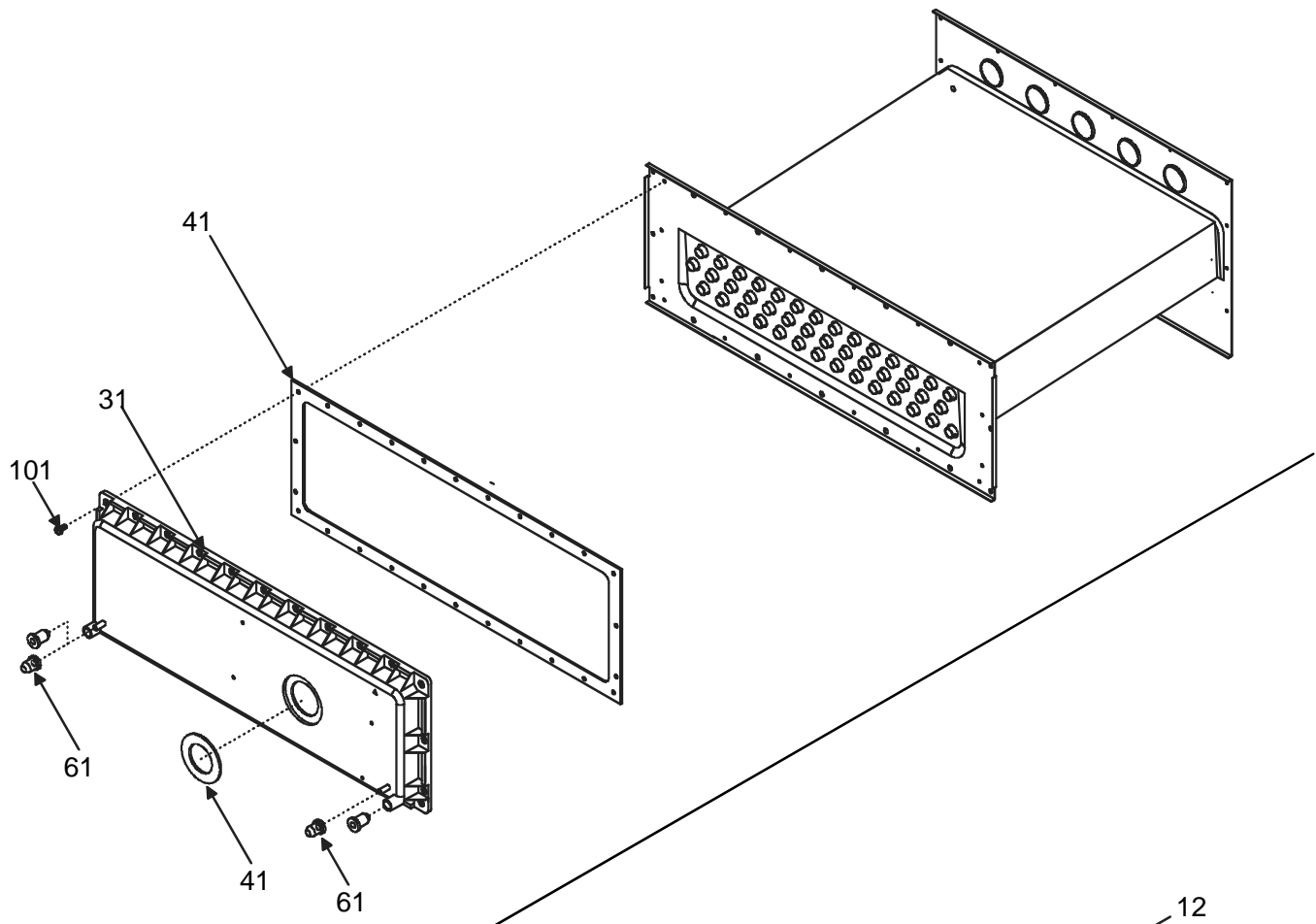
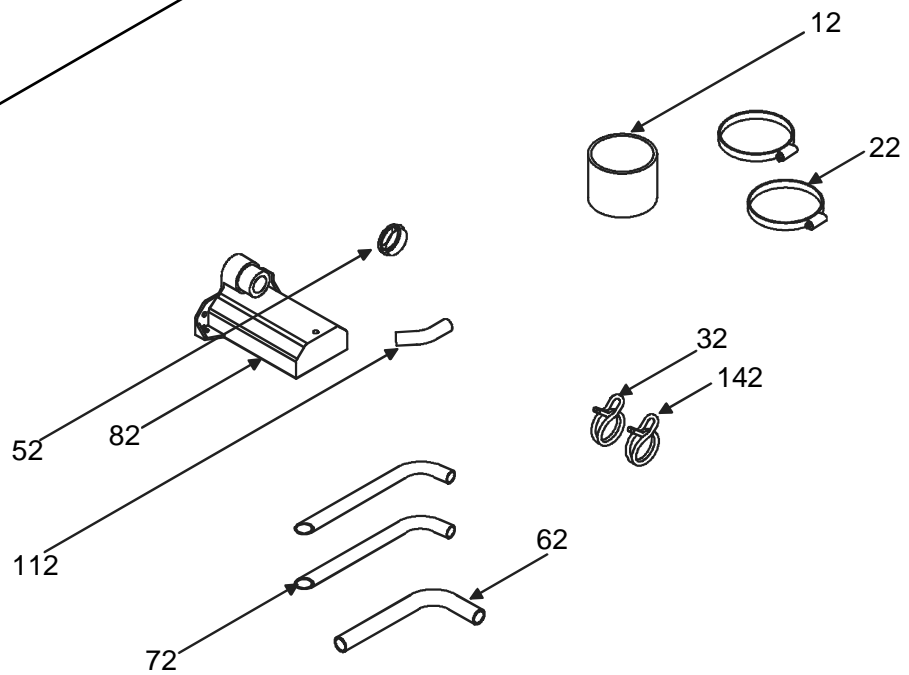


Image 2



# Recupe Coil Assembly/Standpipe Assy

Ref. Part No: No:	Description:	Ref. Part No: No:	Description:
-------------------	--------------	-------------------	--------------

**Image 1:**

31	20170901	COVER-FRONT (M1, M2, M3, M5)
31	20171001	FRONT COVER (M4, M6)
41	20215702	GASKET-COIL (M1, M3, M5)
41	20215703	GASKET-COIL (M2, M4, M6)
61	M0326804	TUBE PLUG (QTY 4)
101	M0211031	SCREW-SM #10-5/8 (QTY AR)

**Image 2:**

12	10254303	RUBBER COUPLING (QTY 2)
22	A3326008	CLAMP HOSE (QTY 4)
32	M0119207	HOSE CLAMP (QTY 2)
52	M0570804	PLUG-BUTTON
62	20201901	DRAIN HOSE
72	20201801	TUBE-DRAIN (QTY 2)
82	20171701	DRAIN TRAP
112	20214202	DRAIN-ANGLE
142	M0119205	HOSE CLAMP (QTY 3)

**Expanded Model Nomenclature**

M1 - GCVA070BX40	P1237403F
M2 - GCVA090BX50	P1237405F
M3 - GCVA070BX40	P1242203F
M4 - GCVA090BX50	P1242205F
M5 - GCVA070CX40	P1253003F
M6 - GCVA090CX50	P1253005F