

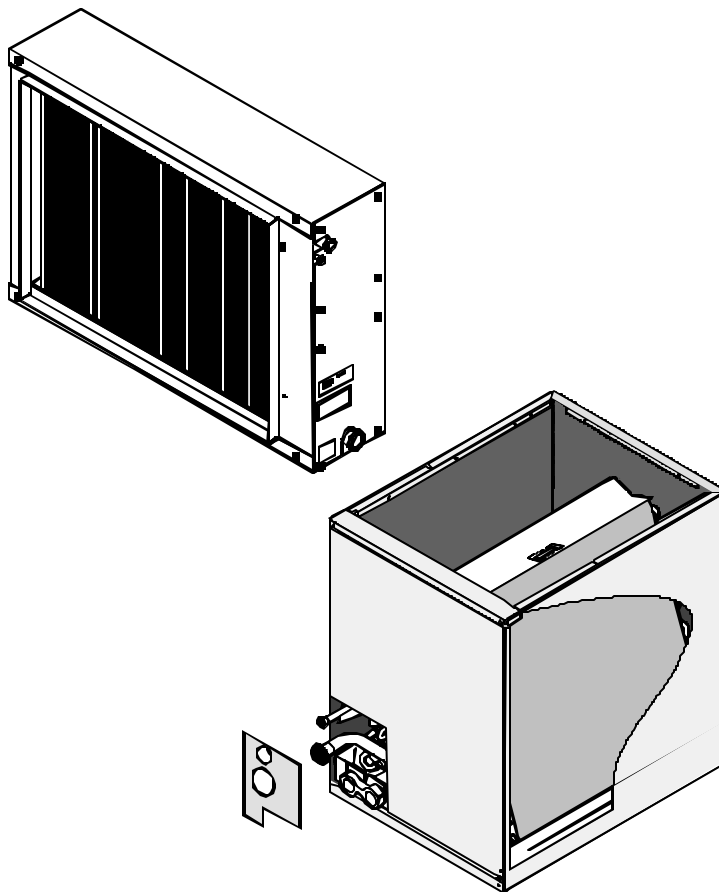
Models and manufacturing numbers in this manual

CA36FCA	P1237108C
CA36FSA	P1237005C
CA42FCA	P1237110C
CA42FSA	P1237006C
CA48FCA	P1237112C
CA48FSA	P1237007C
CA57FCA	P1237114C
CA57FSA	P1237009C
CF30FCA	P1237204C
CF30FCB	P1237211C
CF36FCA	P1237206C
CF36FCB	P1237212C
CF48FCA	P1237209C
CF48FCB	P1237213C
CF60FCA	P1237210C
CF60FCB	P1237214C
CH36FCA	P1237303C
CH36FCB	P1237306C
CH48FCA	P1237304C
CH48FCB	P1237307C
CH60FCA	P1237305C
CH60FCB	P1237308C

Service Parts

CA* FSA, CA*FCA, CF*FCA/FCB, CH*FCA/FCB Coils

This manual replaces RP6130001 Rev. 2.



This manual is to be used by
qualified appliance technicians only.



Amana is a trademark of Maytag Worldwide N.V. and used under license to Goodman Company, L.P. All rights reserved.

RP6130001
Revision 3
January 2004

Copyright ©2003-04 Goodman Company, L.P.

Important Information

Goodman Company, L.P. is not responsible for personal injury or property damage resulting from improper service. Review all service information before beginning repairs.

Warranty service must be performed by an authorized technician, using authorized factory parts. If service is required after the warranty expires, Goodman Company, L.P. also recommends contacting an authorized technician and using authorized factory parts.

For assistance within the U.S.A. contact:

Consumer Affairs Department
Goodman Company, L.P.
7401 Security Way
Houston, Texas 77040
877-254-4729-Telephone
713-863-2382-Facsimile

For assistance outside the U.S.A. contact:

International Division
Goodman Company, L.P.
7401 Security Way
Houston, Texas 77040
713-861-2500-Telephone
713-863-2382-Facsimile

Index

Functional Parts List	5
Illustration and Parts	6 - 15

Views shown are for parts illustrations only, not servicing procedures.

Revision 1 updates models CA*FSA, CA*FCA, CF*FCA CH*FCA. These models are now being shipped with charge for easier leak detection.

Revision 2 Adds models CF30FCB, CF36FCB, CF48FCB, CF60FCB, CH36FCB, and CH48FCB.

Revision 3 Adds model CH60FCB.

Text Codes:

AR - As Required

NA - Not Available

NS - Not Shown

00000000 - See Note

QTY - Quantity Example (QTY 3) (If Quantity not shown, Quantity = 1)

M - Model Example (M1) (If M Code not shown, then part is used on all Models)

Expanded Model and Color Nomenclature:

Example	
M1 - Model#1	P _____
M2 - Model#2	P _____
M3 - Model#3	P _____

Functional Parts

Part

No: **Description:**

B1443825 RESTRICTOR (M18)
B1443807 RESTRICTOR (M17)
B1443820 RESTRICTOR (M19)
B1443829 RESTRICTOR 053 (M16)
B1443822 RESTRICTOR 071 (M9)
B1443817 RESTRICTOR 076 (M1, M5, M10)
B1443805 RESTRICTOR 084 (M2, M3, M6, M7)
B1443810 RESTRICTOR 092 (M4, M8, M11, M12)

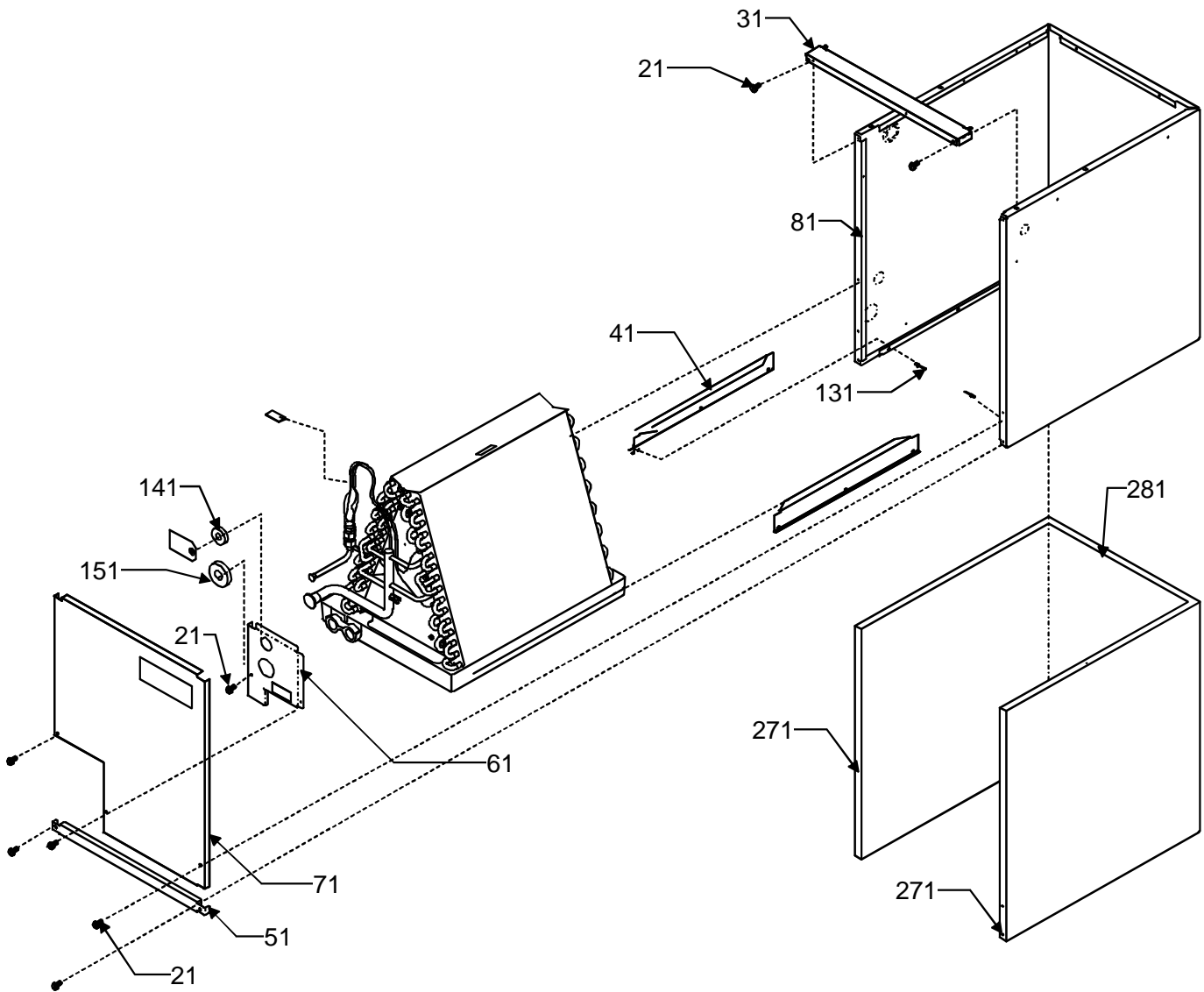
SPECIAL PARTS

10618419 MANUAL-INSTALL (M9, M10, M11, M12, M16, M17, M18, M19)
10047709 MANUAL-INSTALL (M13, M14, M15)
10047710 MANUAL-INSTALL (M20, M21, M22)
10618418 MANUAL-INSTALL (M1, M2, M3, M4, M5, M6, M7, M8)
RP6130001 PARTS MANUAL
RS6200003 SERVICE MANUAL
11096528 SPEC SHEET (M9, M10, M11, M12, M16, M17, M18, M19)
11096527 SPEC SHEET (M5, M6, M7, M8)
11096526 SPEC SHEET (M1, M2, M3, M4)
20490302 WARRANTY

Expanded Model and Color Nomenclature

M1 - CA36FSA	P1237005C
M2 - CA42FSA	P1237006C
M3 - CA48FSA	P1237007C
M4 - CA57FSA	P1237009C
M5 - CA36FCA	P1237108C
M6 - CA42FCA	P1237110C
M7 - CA48FCA	P1237112C
M8 - CA57FCA	P1237114C
M9 - CF30FCA	P1237204C
M10 - CF36FCA	P1237206C
M11 - CF48FCA	P1237209C
M12 - CF60FCA	P1237210C
M13 - CH36FCA	P1237303C
M14 - CH48FCA	P1237304C
M15 - CH60FCA	P1237305C
M16 - CF30FCB	P1237211C
M17 - CF36FCB	P1237212C
M18 - CF48FCB	P1237213C
M19 - CF60FCB	P1237214C
M20 - CH36FCB	P1237306C
M21 - CH48FCB	P1237307C
M22 - CH60FCB	P1237308C

CA* Chassis



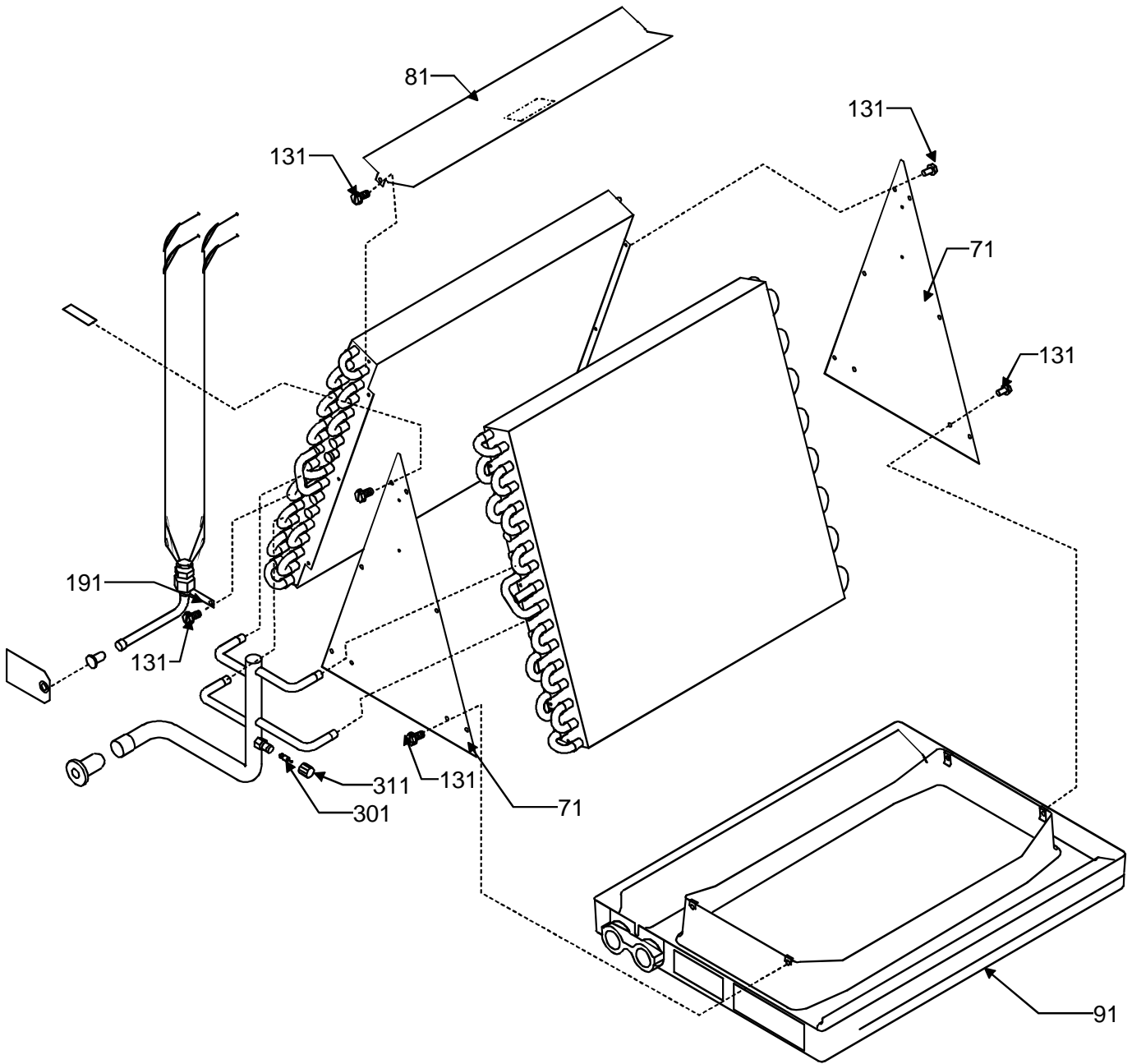
CA* Chassis

Ref. Part No:	Ref. Part No:	Description:	Description:
<i>Image 1:</i>			
21	M0211016	SCREW-SM #8-3/8LG (M5, M6, M7, M8, M16, M17, M18, M19, M20, M21)	
31	11081804	CABINET TOP ASSY (M5)	
31	11081805	CABINET TOP ASSY (M6)	
31	11081806	CABINET TOP ASSY (M7, M8)	
41	11075802	RAIL-SUPPORT BWR (M5, M6, M7, M8)	
51	11081304	FRONT PNL ASSY (M5)	
51	11081305	FRONT PNL ASSY (M6)	
51	11081306	FRONT PNL ASSY (M7, M8)	
61	11082003	PIPING DOOR ASSY (M5, M6, M7, M8)	
71	11081403	CABINET DOOR ASSY (M5)	
71	11081404	CABINET DOOR ASSY (M6)	
71	11081405	CABINET DOOR ASSY (M7, M8)	
81	11068623	CABINET-PNT BWR (M5)	
81	11068625	CABINET-PNT BWR (M6)	
81	11068627	CABINET-PNT BWR (M7, M8)	
131	A4539615	RIVET-POP (M5, M6, M7, M8)	
141	A4691704	GROMMET (M5, M6, M7, M8)	
151	A4691705	GROMMET (M5, M6, M7, M8)	
271	20258707	INSUL-CABINET SIDE (M5, M6)	
271	20258708	INSUL-CABINET SIDE (M7, M8)	
281	20258608	INSUL-CABINET BACK (M5)	
281	20258609	INSUL-CABINET BACK (M6)	
281	20258610	INSUL-CABINET BACK (M7, M8)	
NS	10801107	FLANGE-DUCT BWR (M5, M6, M7, M8)	
NS	11084602	PLATE-PNT CONN BWR (M9, M10, M11, M12)	

Expanded Model and Color Nomenclature

M1 - CA36FSA	P1237005C
M2 - CA42FSA	P1237006C
M3 - CA48FSA	P1237007C
M4 - CA57FSA	P1237009C
M5 - CA36FCA	P1237108C
M6 - CA42FCA	P1237110C
M7 - CA48FCA	P1237112C
M8 - CA57FCA	P1237114C
M9 - CF30FCA	P1237204C
M10 - CF36FCA	P1237206C
M11 - CF48FCA	P1237209C
M12 - CF60FCA	P1237210C
M13 - CH36FCA	P1237303C
M14 - CH48FCA	P1237304C
M15 - CH60FCA	P1237305C
M16 - CF30FCB	P1237211C
M17 - CF36FCB	P1237212C
M18 - CF48FCB	P1237213C
M19 - CF60FCB	P1237214C
M20 - CH36FCB	P1237306C
M21 - CH48FCB	P1237307C
M22 - CH60FCB	P1237308C

CA* A-Coil Chassis



CA* A-Coil Chassis

Ref. Part No:	Ref. Part No:	Description:	Description:
---------------	---------------	--------------	--------------

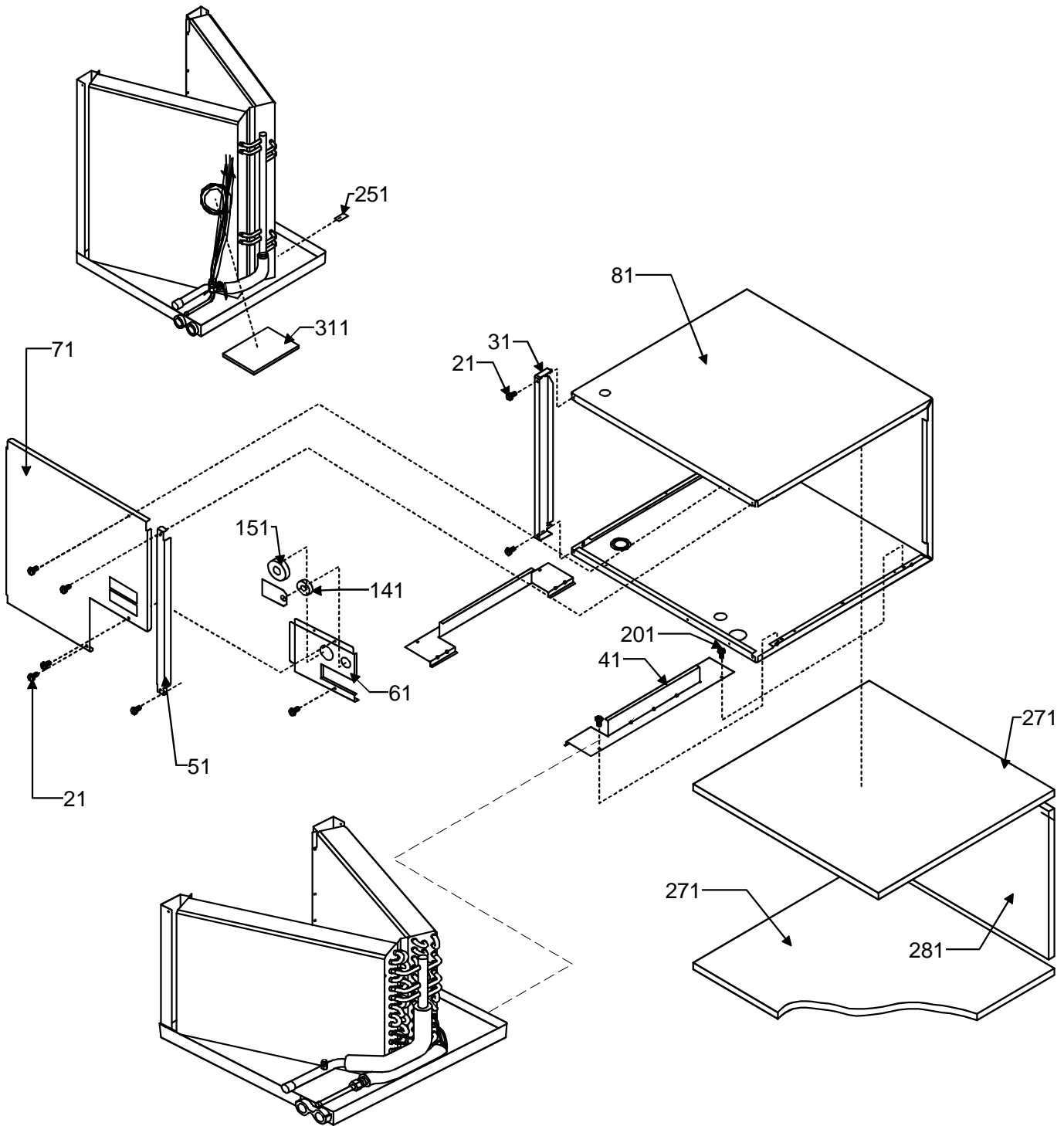
Image 1:

71	10615001	PLATE-END BWR (M1, M5, M6, M8)
71	10615201	PLATE-END BWR (M2)
71	10615401	PLATE-END BWR (M3, M7)
71	10615501	PLATE-END BWR (M4)
81	10615703	COVER-EVAP CO BWR (M2, M6)
81	10615709	COVER-EVAP CO BWR (M1, M3, M4, M5, M7, M8)
91	10616502	BASEPAN (M3, M4, M7, M8)
91	10616603	BASEPAN (M1, M5)
91	10616604	BASEPAN (M2, M6)
131	M0211017	SCREW-SM #8-1/2LG (M1, M2, M3, M4, M5, M6, M7, M8)
191	M0102317	CLAMP-TUBE (M1, M2, M5, M6)
191	M0102328	CLAMP-TUBE (M3, M4, M7, M8)
301	A4692801	VALVE-CORE (M1, M2, M3, M4, M5, M6, M7, M8)
311	A4692602	NUT-CAP (M1, M2, M3, M4, M5, M6, M7, M8)

Expanded Model and Color Nomenclature

M1 - CA36FSA	P1237005C
M2 - CA42FSA	P1237006C
M3 - CA48FSA	P1237007C
M4 - CA57FSA	P1237009C
M5 - CA36FCA	P1237108C
M6 - CA42FCA	P1237110C
M7 - CA48FCA	P1237112C
M8 - CA57FCA	P1237114C
M9 - CF30FCA	P1237204C
M10 - CF36FCA	P1237206C
M11 - CF48FCA	P1237209C
M12 - CF60FCA	P1237210C
M13 - CH36FCA	P1237303C
M14 - CH48FCA	P1237304C
M15 - CH60FCA	P1237305C
M16 - CF30FCB	P1237211C
M17 - CF36FCB	P1237212C
M18 - CF48FCB	P1237213C
M19 - CF60FCB	P1237214C
M20 - CH36FCB	P1237306C
M21 - CH48FCB	P1237307C
M22 - CH60FCB	P1237308C

CF/CHF* Chassis



CF/CHF* Chassis

**Ref. Part
No: No:**

Description:

**Ref. Part
No: No:**

Description:

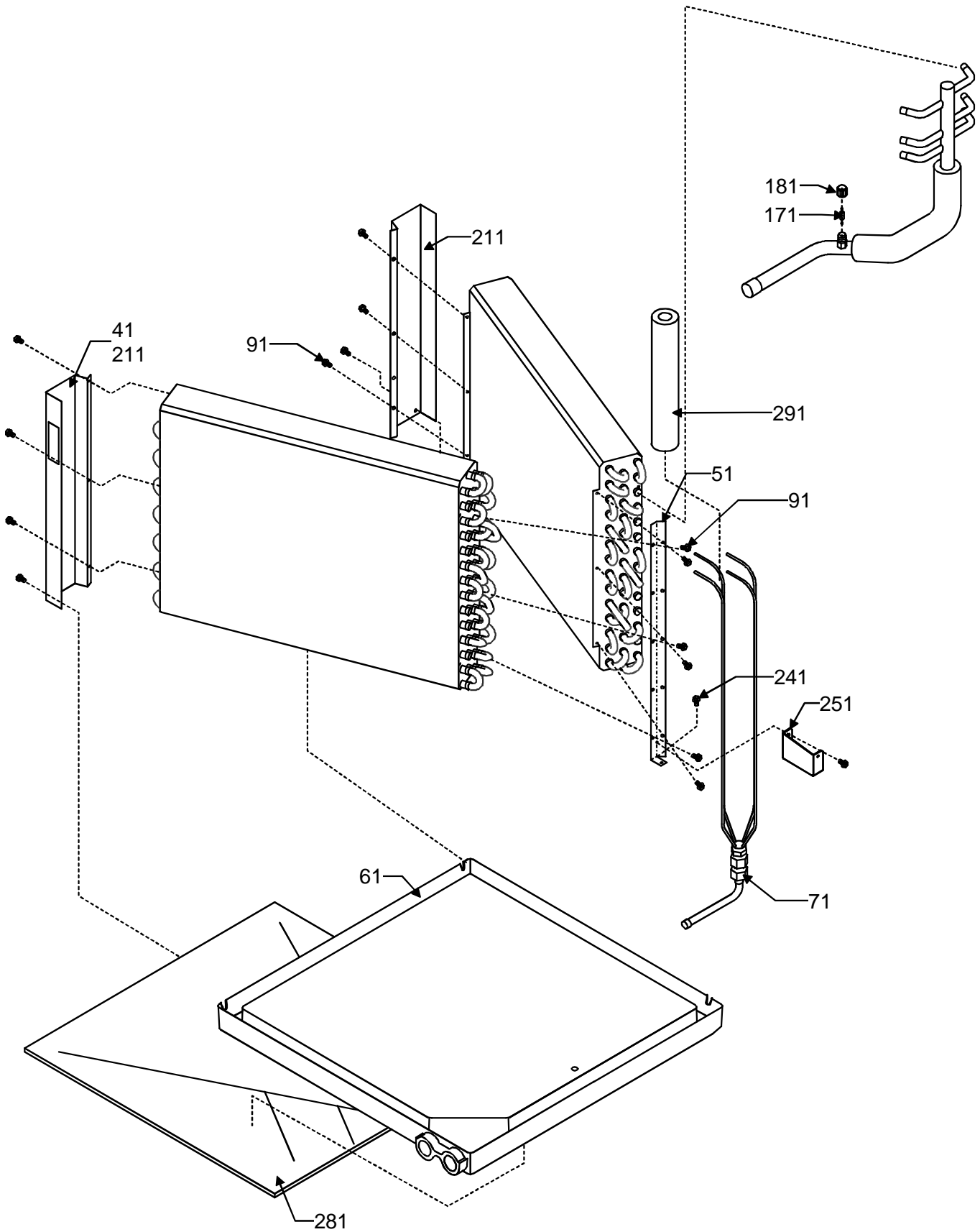
Image 1:

21	M0211016	SCREW-SM #8-3/8LG (M9, M10, M11, M12)
31	11081812	CABINET TOP ASSY (M11, M12, M18, M19)
31	11081810	CABINET-TOP ASSY (M9, M16)
31	11081811	CABINET-TOP ASSY (M10, M17)
41	20186503	MOUNT-PAN BWR (M9, M10, M11, M12, M16, M17, M18, M19)
41	20186504	MOUNT-PAN BWR (M18)
51	11081310	FRONT PNL ASSY (M9, M16)
51	11081311	FRONT PNL ASSY (M10, M17)
51	11081312	FRONT PNL ASSY (M11, M12, M18, M19)
61	11176203	PIPING DOOR ASSY (M9, M10, M11, M12, M16, M17, M18, M19)
71	11081411	CABINET DOOR ASSY (M9, M16)
71	11081412	CABINET DOOR ASSY (M10, M17)
71	11081413	CABINET DOOR ASSY (M11, M12, M18, M19)
81	11068623	CABINET-PNT BWR (M9, M16)
81	11068625	CABINET-PNT BWR (M10, M17)
81	11068627	CABINET-PNT BWR (M11, M12, M18, M19)
141	A4691704	GROMMET (M9, M10, M11, M12, M16, M17, M18, M19)
151	A4691705	GROMMET (M9, M10, M11, M12)
201	M0210418	SCREW-SM (M9, M10, M11, M12, M16, M17, M18, M19)
251	11154801	SEALER-RUBBER BASED (M9, M10, M11, M12)
271	20258707	INSUL-CABINET SIDE (M9, M10, M16, M17)
271	20258708	INSUL-CABINET SIDE (M11, M12, M18, M19)
281	20258608	INSUL-CABINET BACK (M9, M16)
281	20258609	INSUL-CABINET BACK (M10, M17)
281	20258610	INSUL-CABINET BACK (M11, M12, M18, M19)
311	20315802	INSUL-COIL WRAP (M12, M19)
NS	10801107	FLANGE-DUCT BWR (M9, M10, M11, M12, M16, M17, M18, M19)

Expanded Model and Color Nomenclature

M1 - CA36FSA	P1237005C
M2 - CA42FSA	P1237006C
M3 - CA48FSA	P1237007C
M4 - CA57FSA	P1237009C
M5 - CA36FCA	P1237108C
M6 - CA42FCA	P1237110C
M7 - CA48FCA	P1237112C
M8 - CA57FCA	P1237114C
M9 - CF30FCA	P1237204C
M10 - CF36FCA	P1237206C
M11 - CF48FCA	P1237209C
M12 - CF60FCA	P1237210C
M13 - CH36FCA	P1237303C
M14 - CH48FCA	P1237304C
M15 - CH60FCA	P1237305C
M16 - CF30FCB	P1237211C
M17 - CF36FCB	P1237212C
M18 - CF48FCB	P1237213C
M19 - CF60FCB	P1237214C
M20 - CH36FCB	P1237306C
M21 - CH48FCB	P1237307C
M22 - CH60FCB	P1237308C

CF* A-Coil Chassis



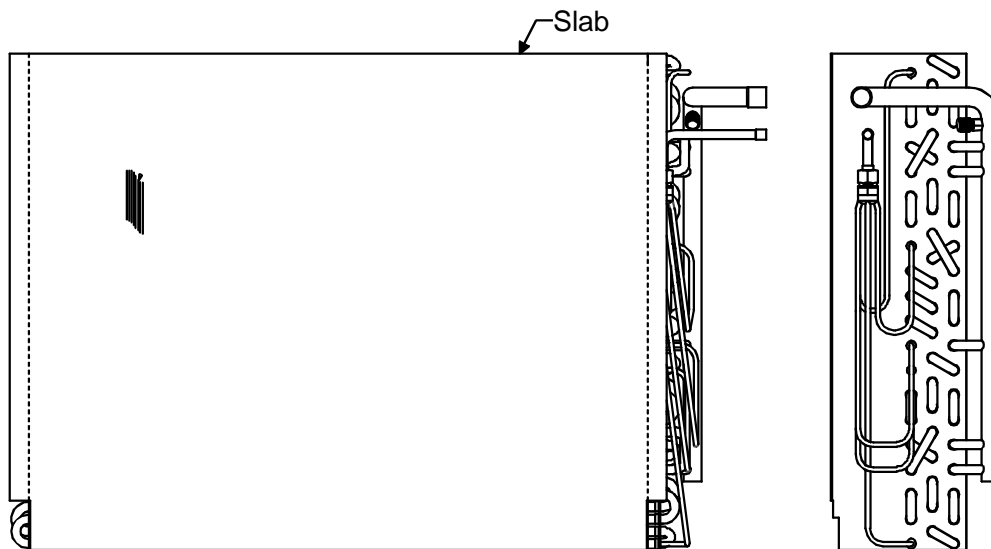
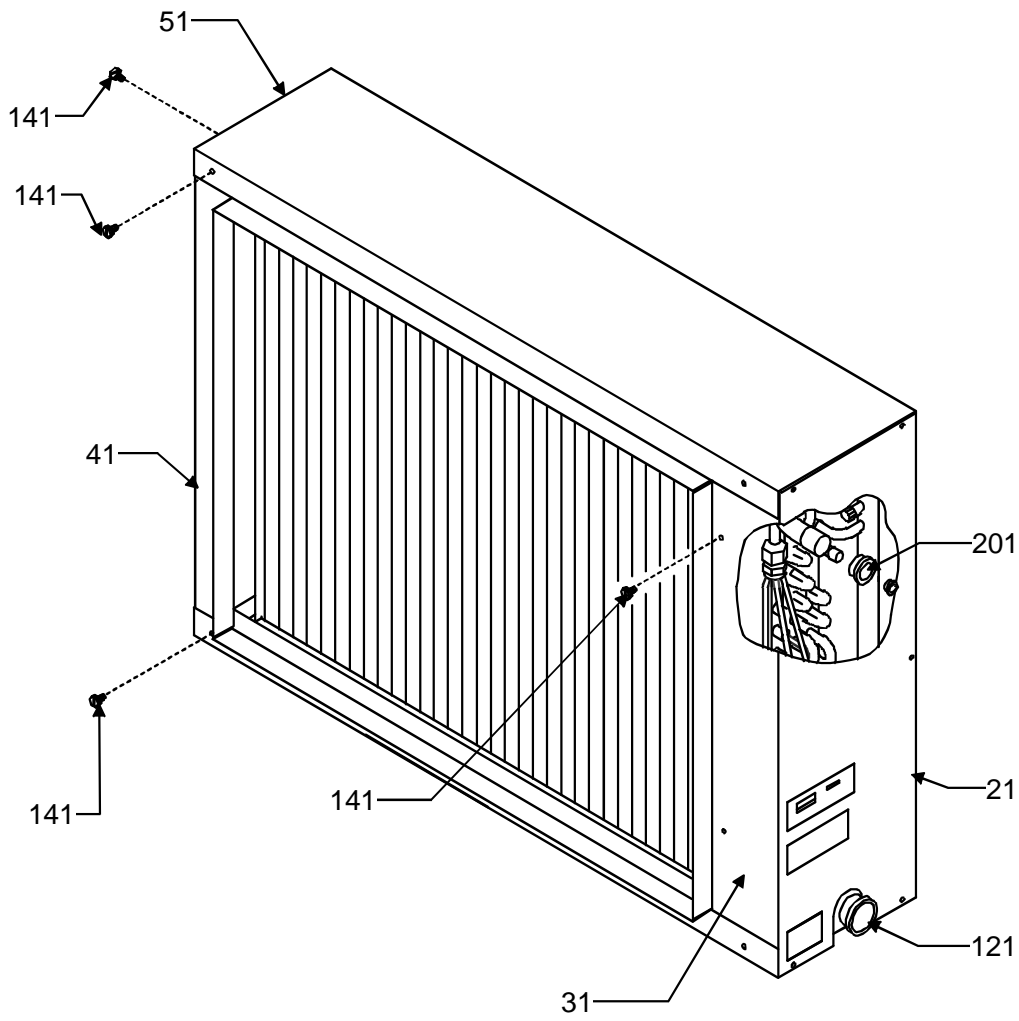
CF* A-Coil Chassis

Ref. Part No:	No:	Description:	Ref. Part No:	No:	Description:
<i>Image 1:</i>					
51	11198801	BRACKET-COIL BWR (M9, M16)			
51	11198802	BRACKET-COIL BWR (M10, M17)			
51	11198803	BRACKET-COIL BWR (M11, M18)			
51	11198805	BRACKET-COIL BWR (M12, M19)			
61	20257001	DRIPPAN ASSY (M12, M19)			
61	11173803	PAN-DRAIN (M9, M10, M11, M16, M17, M18)			
91	M0211017	SCREW-SM #8-1/2LG (M9, M10, M11, M16, M17, M18)			
91	M0211016	SCREW-SM #8-3/8LG (M12, M19)			
171	A4692801	VALVE-CORE (M9, M10, M11, M12, M16, M17, M18, M19)			
181	A4692602	NUT-CAP (M9, M10, M11, M12, M16, M17, M18, M19)			
211	11173607	BLOCK-AIR BWR (M9, M16)			
211	11173608	BLOCK-AIR BWR (M10, M17)			
211	11173609	BLOCK-AIR BWR (M11, M18)			
211	11173610	BLOCK-AIR BWR (M12, M19)			
241	M0211217	SCREW-SM (M9, M10, M16, M17)			
251	20280401	BRACKET BWR (M12, M19)			
281	20362501	LINER-DRIPPAN (M9, M10, M11, M16, M17, M18)			
291	20156708	INSUL-PIPE (M16)			
291	20156705	INSULATION (M19)			
291	20156709	INSULATION (M17)			
291	20156710	INSULATION (M18)			
NS	M0102328	CLAMP-TUBE (M12, M19)			

Expanded Model and Color Nomenclature

M1 - CA36FSA	P1237005C
M2 - CA42FSA	P1237006C
M3 - CA48FSA	P1237007C
M4 - CA57FSA	P1237009C
M5 - CA36FCA	P1237108C
M6 - CA42FCA	P1237110C
M7 - CA48FCA	P1237112C
M8 - CA57FCA	P1237114C
M9 - CF30FCA	P1237204C
M10 - CF36FCA	P1237206C
M11 - CF48FCA	P1237209C
M12 - CF60FCA	P1237210C
M13 - CH36FCA	P1237303C
M14 - CH48FCA	P1237304C
M15 - CH60FCA	P1237305C
M16 - CF30FCB	P1237211C
M17 - CF36FCB	P1237212C
M18 - CF48FCB	P1237213C
M19 - CF60FCB	P1237214C
M20 - CH36FCB	P1237306C
M21 - CH48FCB	P1237307C
M22 - CH60FCB	P1237308C

CH* Chassis



CH* Chassis

Ref. Part No:	Part No:	Description:	Ref. Part No:	Part No:	Description:
---------------	----------	--------------	---------------	----------	--------------

Image 1:

21	11038201	DOOR PANEL ASSY (M13, M20)
21	11038203	DOOR PANEL ASSY (M14, M15, M21, M22)
31	11042101	CORNER PANEL ASSY (M13, M20)
31	11042103	CORNER PANEL ASSY (M14, M15, M21, M22)
41	11042201	END PANEL ASSY (M13, M20)
41	11042202	END PANEL ASSY (M14, M15, M21, M22)
51	11042001	TOP/BOT PANEL ASSY (M13, M20)
51	11042002	TOP/BOT PANEL ASSY (M14, M15, M21, M22)
121	10526903	BASEPAN ASSY (M13, M20)
121	10526904	BASEPAN ASSY (M14, M15, M21, M22)
141	M0211016	SCREW-SM #8-3/8LG (M13, M14, M15, M22)
201	M0326803	PLUG-TUBE (M13, M14, M15)
NS	M0021103	ADAPTER-DRAIN (M13, M14, M15, M22)

Expanded Model and Color Nomenclature

M1 - CA36FSA	P1237005C
M2 - CA42FSA	P1237006C
M3 - CA48FSA	P1237007C
M4 - CA57FSA	P1237009C
M5 - CA36FCA	P1237108C
M6 - CA42FCA	P1237110C
M7 - CA48FCA	P1237112C
M8 - CA57FCA	P1237114C
M9 - CF30FCA	P1237204C
M10 - CF36FCA	P1237206C
M11 - CF48FCA	P1237209C
M12 - CF60FCA	P1237210C
M13 - CH36FCA	P1237303C
M14 - CH48FCA	P1237304C
M15 - CH60FCA	P1237305C
M16 - CF30FCB	P1237211C
M17 - CF36FCB	P1237212C
M18 - CF48FCB	P1237213C
M19 - CF60FCB	P1237214C
M20 - CH36FCB	P1237306C
M21 - CH48FCB	P1237307C
M22 - CH60FCB	P1237308C