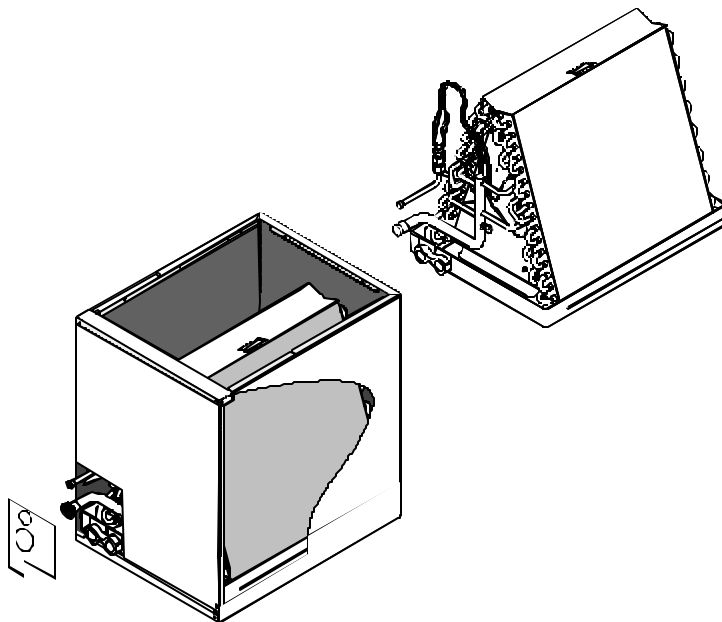


Service Parts

CA*FCA/FSA/FCB Coils for RSC and RSG Remote Units

This manual replace RP6130002 Rev. 1.



Models and manufacturing numbers in this manual

CA30FCA	P1237107C
CA30FCB	P1237116C
CA30FSA	P1237004C
CA30FSB	P1237011C
CA36FCB	P1237117C
CA36FSB	P1237012C
CA42FCB	P1237118C
CA42FSB	P1237013C
CA48FCB	P1237119C
CA48FSB	P1237014C
CA57FCB	P1237120C
CA57FSB	P1237015C
CA60FCA	P1237115C
CA60FCB	P1237121C
CA60FSA	P1237010C
CA60FSB	P1237016C

This manual is to be used by qualified appliance technicians only.



Amana is a trademark of Maytag Worldwide N.V. and used under license to Goodman Company, L.P. All rights reserved.

RP6130002
Revision 2
November 2003

Copyright ©2003 Goodman Company, L.P.

Important Information

Goodman Company, L.P. is not responsible for personal injury or property damage resulting from improper service. Review all service information before beginning repairs.

Warranty service must be performed by an authorized technician, using authorized factory parts. If service is required after the warranty expires, Goodman Company, L.P. also recommends contacting an authorized technician and using authorized factory parts.

For assistance within the U.S.A. contact:

Consumer Affairs Department
Goodman Company, L.P.
7401 Security Way
Houston, Texas 77040
877-254-4729-Telephone
713-863-2382-Facsimile

For assistance outside the U.S.A. contact:

International Division
Goodman Company, L.P.
7401 Security Way
Houston, Texas 77040
713-861-2500-Telephone
713-863-2382-Facsimile

Index

Functional Parts List	5
Illustration and Parts	6 - 9

Views shown are for parts illustrations only, not servicing procedures.

Revision 1 Adds FCB model coils.
Revision 2 Updates distributor part numbers.

Text Codes:

- AR - As Required
- NA - Not Available
- NS - Not Shown
- 00000000 - See Note
- QTY - Quantity Example (QTY 3) (If Quantity not shown, Quantity = 1)
- M - Model Example (M1) (If M Code not shown, then part is used on all Models)

Expanded Model and Color Nomenclature:

Example	
M1 - Model#1	P _____
M2 - Model#2	P _____
M3 - Model#3	P _____

Functional Parts

Part

No: Description:

20326216	CA30FCA COIL ASSY (M3)
20497207	CA30FCB-COIL CHAS (M11)
20497208	CA36FCB-COIL CHAS (M12)
20497209	CA42FCB-COIL CHAS (M13)
20497210	CA48FCB-COIL CHAS (M14)
20497211	CA57FCB-COIL CHAS (M15)
20326224	CA60FCA COIL ASSY (M4)
20497212	CA60FCB-COIL CHAS (M16)
B1443825	RESTRICTOR (M8)
B1443820	RESTRICTOR (M2, M10)
B1443807	RESTRICTOR (M6)
B1443808	RESTRICTOR (M7)
B1443829	RESTRICTOR 053 (M1, M5)
B1443832	RESTRICTOR 078 (M9)

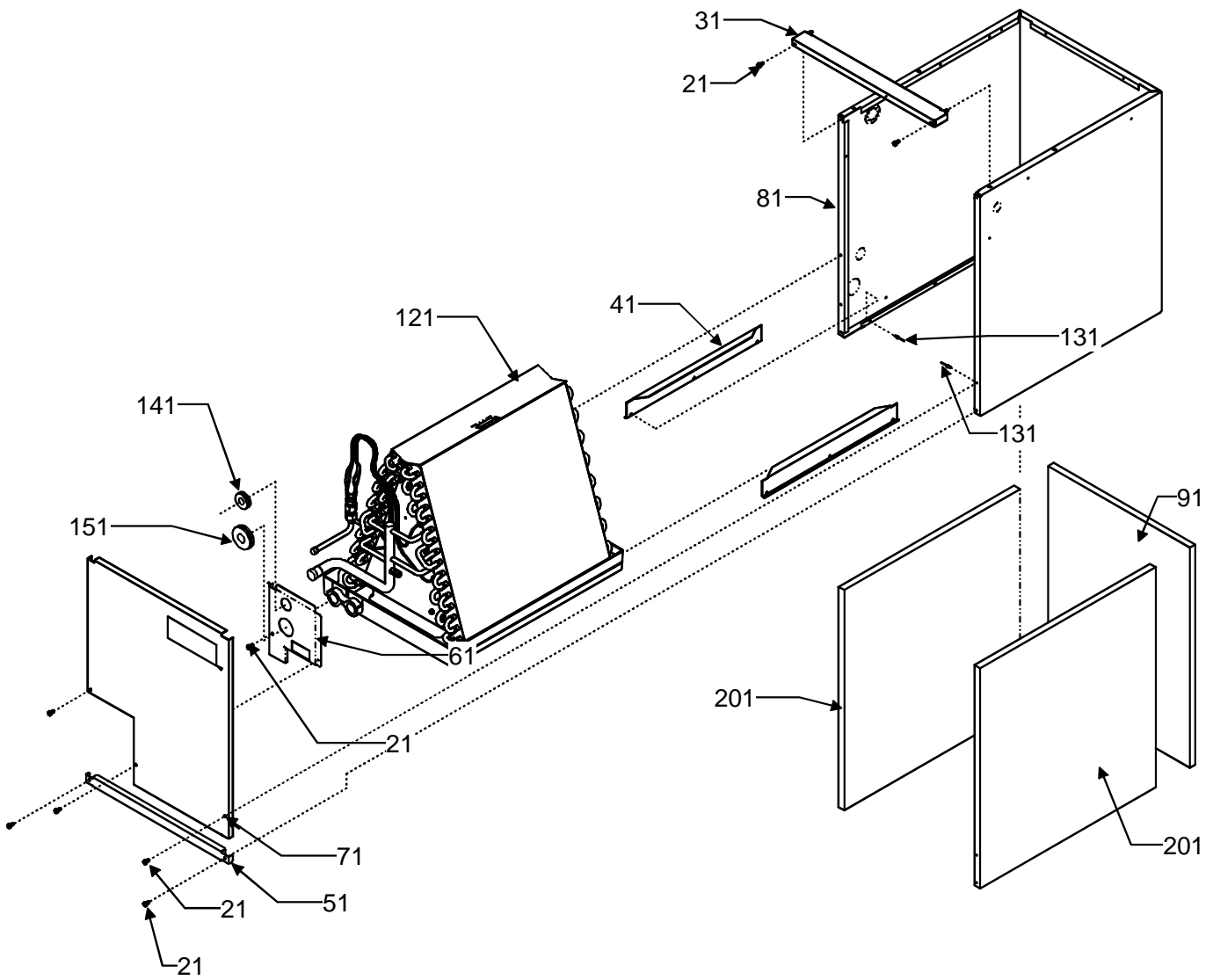
SPECIAL PARTS

10618418	MANUAL-INSTALL
RP6130002	PARTS MANUAL
RS6200003	SERVICE MANUAL
11096526	SPEC SHEET (M1, M2, M5, M6, M7, M8, M9, M10)
11096527	SPEC SHEET (M3, M4, M11, M12, M13, M14, M15, M16)
RT6231003	TECHNICAL MANUAL
11091604	WARRANTY

Expanded Model and Color Nomenclature

M1 - CA30FSA	P1237004C
M2 - CA60FSA	P1237010C
M3 - CA30FCA	P1237107C
M4 - CA60FCA	P1237115C
M5 - CA30FSB	P1237011C
M6 - CA36FSB	P1237012C
M7 - CA42FSB	P1237013C
M8 - CA48FSB	P1237014C
M9 - CA57FSB	P1237015C
M10 - CA60FSB	P1237016C
M11 - CA30FCB	P1237116C
M12 - CA36FCB	P1237117C
M13 - CA42FCB	P1237118C
M14 - CA48FCB	P1237119C
M15 - CA57FCB	P1237120C
M16 - CA60FCB	P1237121C

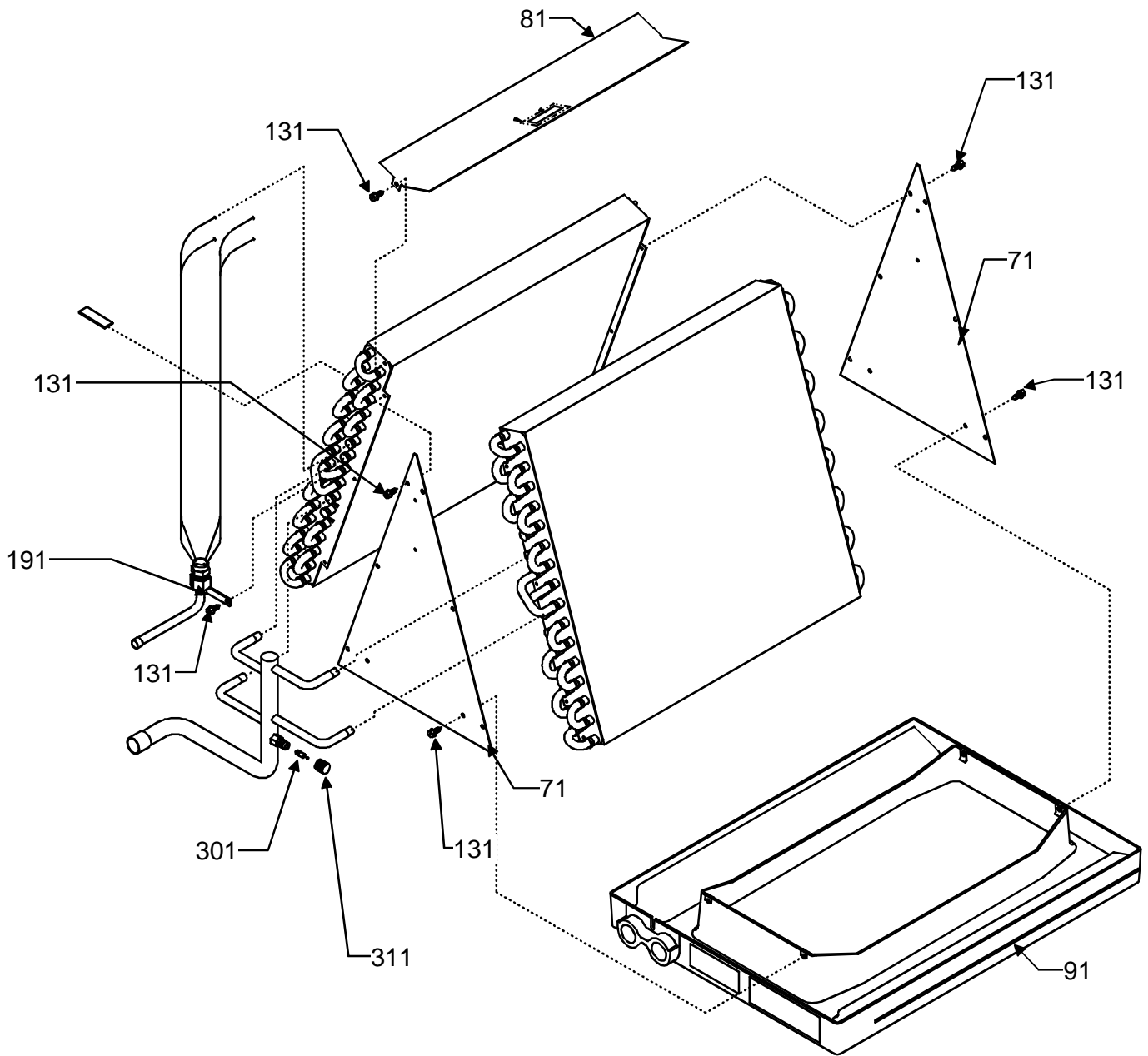
Coil Chassis



Coil Chassis

Ref. Part No:	Description:	Ref. Part No:	Description:
<i>Image 1:</i>		Expanded Model and Color Nomenclature	
21	M0211016 SCREW (M3, M4, M11, M12, M13, M14, M15, M16)	M1 - CA30FSA	P1237004C
31	11081804 CABINET TOP ASSY (M3, M11, M12)	M2 - CA60FSA	P1237010C
31	11081805 CABINET TOP ASSY (M13)	M3 - CA30FCA	P1237107C
31	11081806 CABINET TOP ASSY (M4, M14, M15, M16)	M4 - CA60FCA	P1237115C
41	11075802 RAIL-SUPPORT (M3, M4, M11, M12, M13, M14, M15, M16)	M5 - CA30FSB	P1237011C
51	11081304 ASSY, FRONT PNL (M3, M11, M12)	M6 - CA36FSB	P1237012C
51	11081306 ASSY, FRONT PNL (M4, M14, M15, M16)	M7 - CA42FSB	P1237013C
51	11081305 FRONT PNL ASSY (M13)	M8 - CA48FSB	P1237014C
61	11082003 PIPING DR ASSY (M3, M4, M11, M12, M13, M14, M15, M16)	M9 - CA57FSB	P1237015C
71	11081402 CABINET DOOR ASSY (M3, M11)	M10 - CA60FSB	P1237016C
71	11081403 CABINET DOOR ASSY (M12)	M11 - CA30FCB	P1237116C
71	11081404 CABINET DOOR ASSY (M13)	M12 - CA36FCB	P1237117C
71	11081405 CABINET DOOR ASSY (M4, M14, M15, M16)	M13 - CA42FCB	P1237118C
81	11068623 CABINET, PNT (M12)	M14 - CA48FCB	P1237119C
81	11068625 CABINET, PNT (M13)	M15 - CA57FCB	P1237120C
81	11068627 CABINET, PNT (M4, M14, M15, M16)	M16 - CA60FCB	P1237121C
81	11068619 PNT. CABNT (M3, M11)		
91	20258608 BACK INSUL (M12)		
91	20258610 BACK INSUL (M4, M14, M15, M16)		
91	20258607 INSL. BACK (M3, M11)		
91	20258609 INSL BACK (M13)		
121	20326216 CA30FCA COIL ASSY (M3)		
121	20497207 CA30FCB-COIL CHAS (M11)		
121	20497208 CA36FCB-COIL CHAS (M12)		
121	20497209 CA42FCB-COIL CHAS (M13)		
121	20497210 CA48FCB-COIL CHAS (M14)		
121	20497211 CA57FCB-COIL CHAS (M15)		
121	20326224 CA60FCA COIL ASSY (M4)		
121	20497212 CA60FCB-COIL CHAS (M16)		
131	A4539615 POP RIVET (M3, M4, M11, M12, M13, M14, M15, M16)		
141	A4691704 GROMMET (M3, M4, M11, M12, M13, M14, M15, M16)		
151	A4691705 GROMMET (M3, M4, M11, M12, M13, M14, M15, M16)		
201	20258706 INSULATION SIDE (M3, M11)		
201	20258707 INSULATION SIDE (M12, M13)		
201	20258708 INSULATION SIDE (M4, M14, M15, M16)		
NS	10801106 FLANGE-DUCT (M3, M11, M12)		
NS	10801107 FLANGE-DUCT (M3, M4, M11, M12, M13, M14, M15, M16)		

Internal Components



Internal Components

Ref. Part No:	No:	Description:	Ref. Part No:	No:	Description:
<i>Image 1:</i>					
71	10614902	END PLATE (M1, M3, M5, M11)			
71	10615201	PLATE, END (M7, M13)			
71	10615401	PLATE, END (M8, M14)			
71	10615501	PLATE, END (M2, M4, M9, M10, M15, M16)			
71	10615001	PLATE-END (M6, M12)			
81	10615709	COVER, EVAP TOP (M1, M2, M3, M4, M5, M6, M8, M9, M10, M11, M12, M14, M15, M16)			
81	10615703	COVER, EVAP. TOP (M7, M13)			
91	10616604	BASE PAN (M7, M13)			
91	10616502	BASEPAN (M2, M4, M8, M9, M10, M14, M15, M16)			
91	10616603	BASEPAN (M1, M3, M5, M6, M11, M12)			
131	M0211017	SCREW (QTY AR)			
191	M0102317	CLAMP (M1, M2, M3, M4, M5, M6, M7, M8, M9, M10, M11, M12, M13, M16)			
191	M0102328	CLAMP (M8, M9, M14, M15)			
301	A4692801	CORE VALVE (M1, M2, M5, M6, M7, M8, M9, M10)			
301	A4692801	CORE VALVE (M3, M4, M11, M12, M13, M14, M15, M16)			
311	A4692602	NUT, CAP (M1, M2, M5, M6, M7, M8, M9, M10)			
311	A4692602	NUT, CAP (M3, M4, M11, M12, M13, M14, M15, M16)			

Expanded Model and Color Nomenclature

M1 - CA30FSA	P1237004C
M2 - CA60FSA	P1237010C
M3 - CA30FCA	P1237107C
M4 - CA60FCA	P1237115C
M5 - CA30FSB	P1237011C
M6 - CA36FSB	P1237012C
M7 - CA42FSB	P1237013C
M8 - CA48FSB	P1237014C
M9 - CA57FSB	P1237015C
M10 - CA60FSB	P1237016C
M11 - CA30FCB	P1237116C
M12 - CA36FCB	P1237117C
M13 - CA42FCB	P1237118C
M14 - CA48FCB	P1237119C
M15 - CA57FCB	P1237120C
M16 - CA60FCB	P1237121C