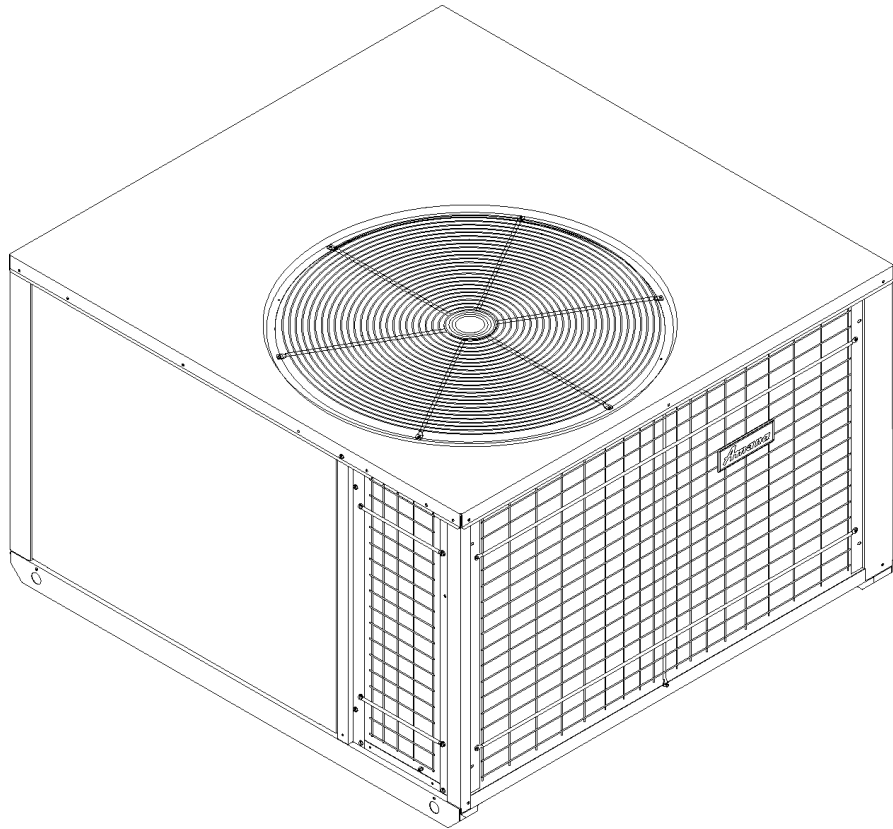


PGA 10 Seer Package Gas Units

PGA24C0702F P1236309C
PGA30C0702F P1236310C
PGA36C0702F P1236311C
PGA36C0902F P1236312C
PGA42C0902F P1236313C



Important Information

Index

Functional Parts List	3
Illustration and Parts	4 - 15

Views shown are for parts illustrations only, not servicing procedures

Rev.3: Corrected evap assy for PGA36C0902F.

Text Codes:

AR - As Required

NA - Not Available

NS - Not Shown

00000000 - See Note

QTY - Quantity Example (QTY 3) (If Quantity not shown, Quantity = 1)

M - Model Example (M1) (If M Code not shown, then part is used on all Models)

Expanded Model Nomenclature:

Example M1 - Model#1 M2 - Model#2 M3 - Model#3

Goodman Company, L.P. is not responsible for personal injury or property damage resulting from improper service. Review all service information before beginning repairs.

Warranty service must be performed by an authorized technician, using authorized factory parts. If service is required after the warranty expires, Goodman Company, L.P. also recommends contacting an authorized technician and using authorized factory parts.

Goodman Company, L.P. reserves the right to discontinue, or change at any time, specifications or designs without notice or without incurring obligations.

For assistance within the U.S.A. contact:

Consumer Affairs Department
Goodman Company, L.P.
7401 Security Way
Houston, Texas 77040
877-254-4729-Telephone
713-863-2382-Facsimile

For assistance outside the U.S.A. contact:

International Division
Goodman Company, L.P.
7401 Security Way
Houston, Texas 77040
713-861-2500-Telephone
713-863-2382-Facsimile

Functional Parts

**Part
No:**

Description:

10728319	AUXILIARY LIMIT (M4, M5)
10728302	AUXILIARY LIMIT (M1, M2, M3)
10735102S	BECKETT BURNER (QTY AR)
CAP100000370VA	CAPACITOR 10/370V (M5)
CAP150000370VC	CAPACITOR 15/370V (M1, M2, M3, M4)
CAP050250370RS	CAPACITOR 5/25/370V (M1)
CAP050350370RS	CAPACITOR 5/35/370V (M3, M4)
CAP050400370RS	CAPACITOR 5/40/370V (M5)
CAP050400440RT	CAPACITOR 5/40/440V (M2)
CR30K6PFV960	COMPRESSOR 30000, 208/230/60/1 (M3, M4, M5)
10611921	COMPRESSOR TC AWF5528EXN (M2)
10611930	COMPRESSOR TC AWH5522EXN (M1)
11112807	COND MOTOR
11119302	CONDENSER ASSY (M5)
1272511	CONDENSER ASSY (M3, M4)
20347701	CONDENSER ASSY (M1, M2)
22308302	CONTACTOR 30A
1272615	EVAP ASSY (M1)
1272610	EVAP ASSY (M5)
1272603	EVAP ASSY (M3, M4)
1272602	EVAP ASSY (M2)
11119202	EVAP MOTOR (M5)
11119201S	EVAP MOTOR (M1, M2, M3, M4)
0130F00010	FLAME SENSOR
B1282628	GAS VALVE, MANIFOLD (36G)
20351403	ID BLOWER
20261708	IGNITOR
20336002	MANIFOLD 3B (M1, M2, M3)
20336003	MANIFOLD 4B (M4, M5)
11112501S	PRESSURE SWITCH
20269905	PRIMARY LIMIT
11154403	PTCR START DEVICE (M2)
10123531	RESET LIMIT, MANUAL
20248402	SOUND BAFFLE (QTY 2)
20248502	SOUND BAFFLE
11120302	TRANSFORMER
20262105	WIRING HARNESS (12-PIN CONNECTOR)

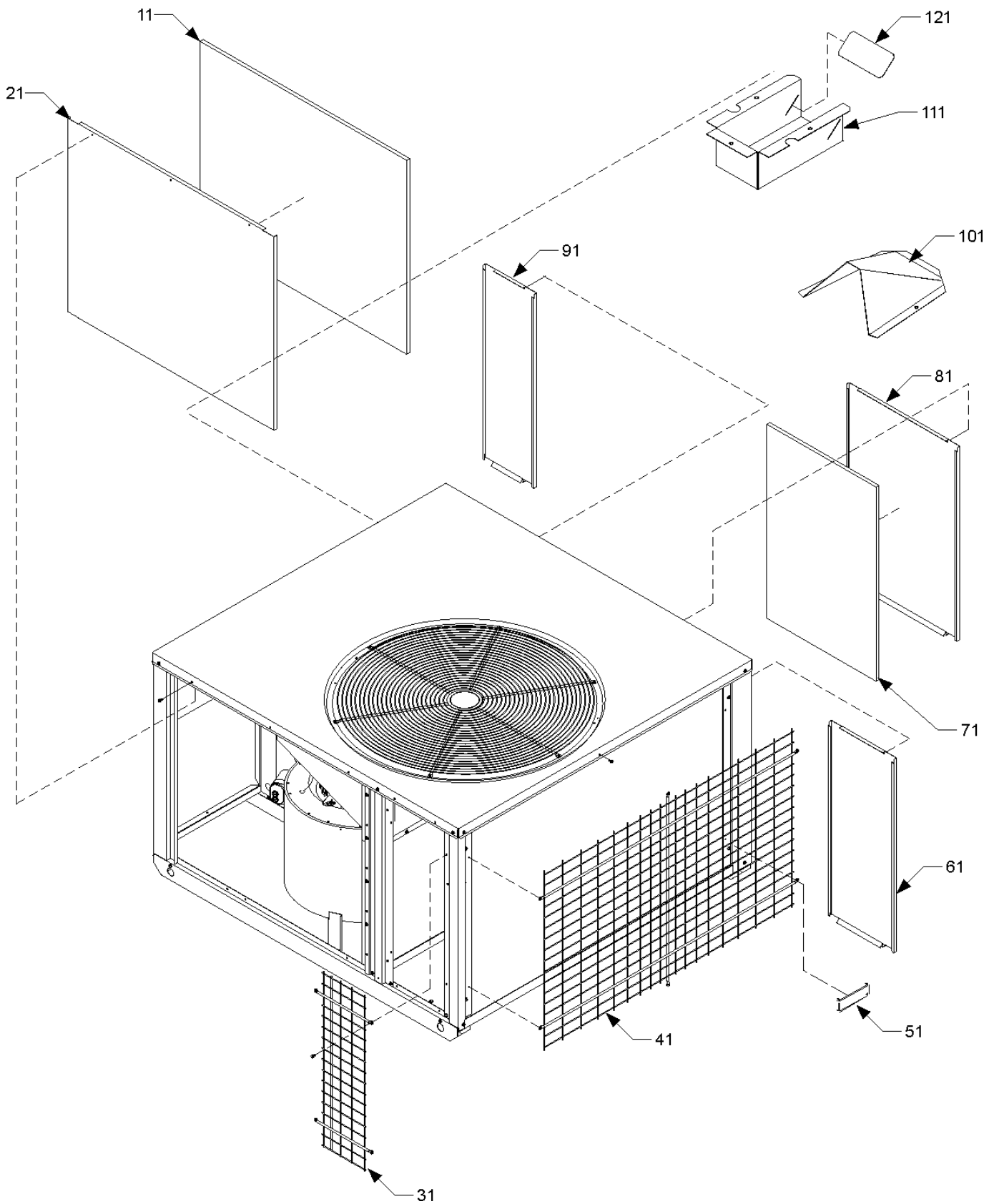
SPECIAL PARTS

20187902A	AMANA NAMEPLATE
10692413	INSTALLATION INSTRUCTIONS
RP6340016	REPAIR PARTS MANUAL
10500226	USERS MANUAL

Expanded Model Nomenclature

M1 - PGA24C0702F P1236309C
M2 - PGA30C0702F P1236310C
M3 - PGA36C0702F P1236311C
M4 - PGA36C0902F P1236312C
M5 - PGA42C0902F P1236313C

Outer Case



Outer Case

Ref Part	Ref. Part
No:	No: No:
Description:	Description:

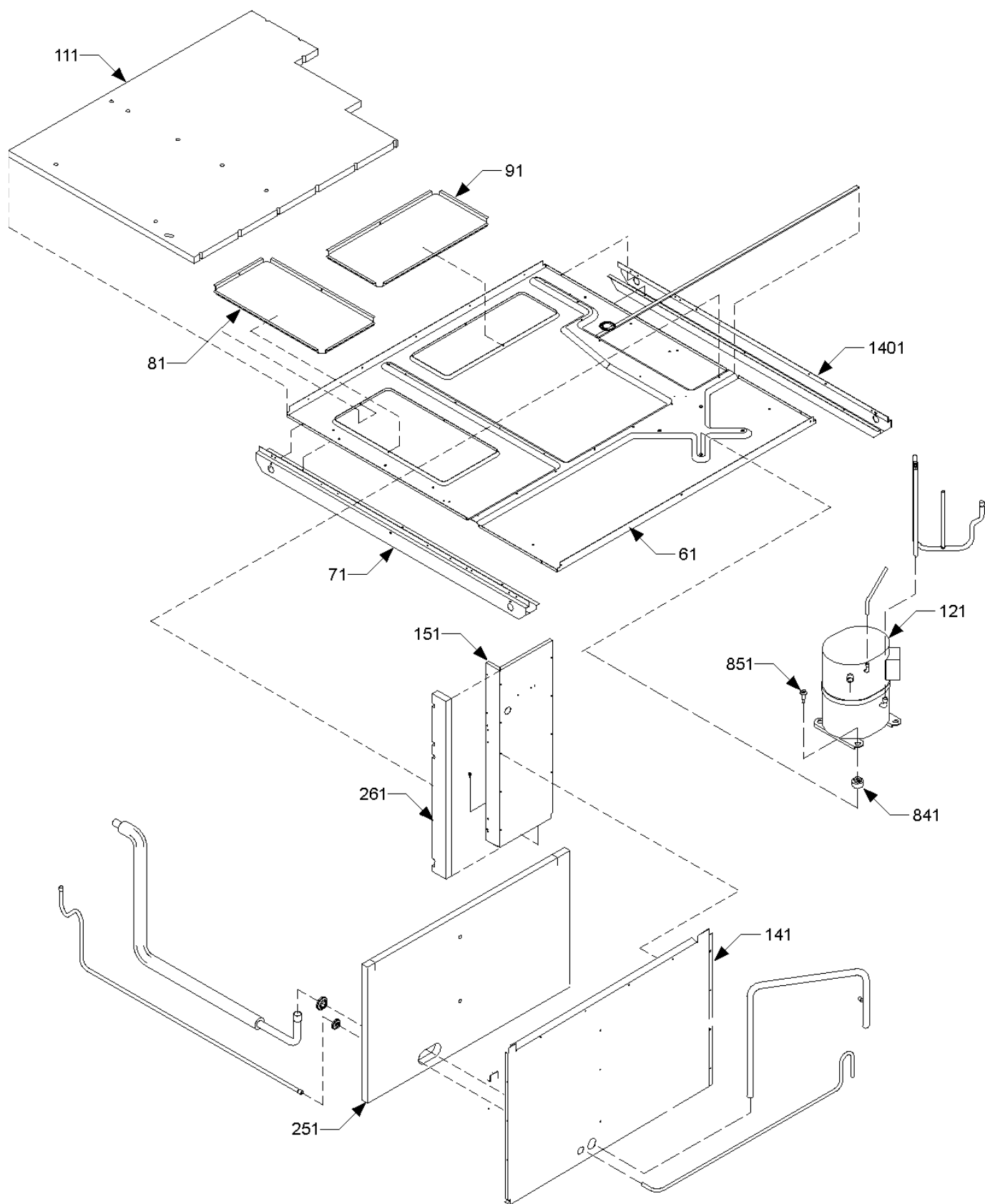
Image 1:

11	11131101	DOOR INSULATION
21	11099012	CABINET DOOR
31	11184703	FLAT GRILLE (M5)
41	11186403	FLAT GRILLE
51	20187902A	AMANA NAMEPLATE
61	11099010	CABINET DOOR (QTY 2)
71	11131103	DOOR INSULATION
81	11099011	CABINET DOOR
91	11099009	CABINET DOOR
101	D9844406	HOOD, AIR INTAKE
111	11182101	FLUE COVER
121	11182001	FLUE BAFFLE

Expanded Model Nomenclature

M1 - PGA24C0702F P1236309C
M2 - PGA30C0702F P1236310C
M3 - PGA36C0702F P1236311C
M4 - PGA36C0902F P1236312C
M5 - PGA42C0902F P1236313C

Chassis



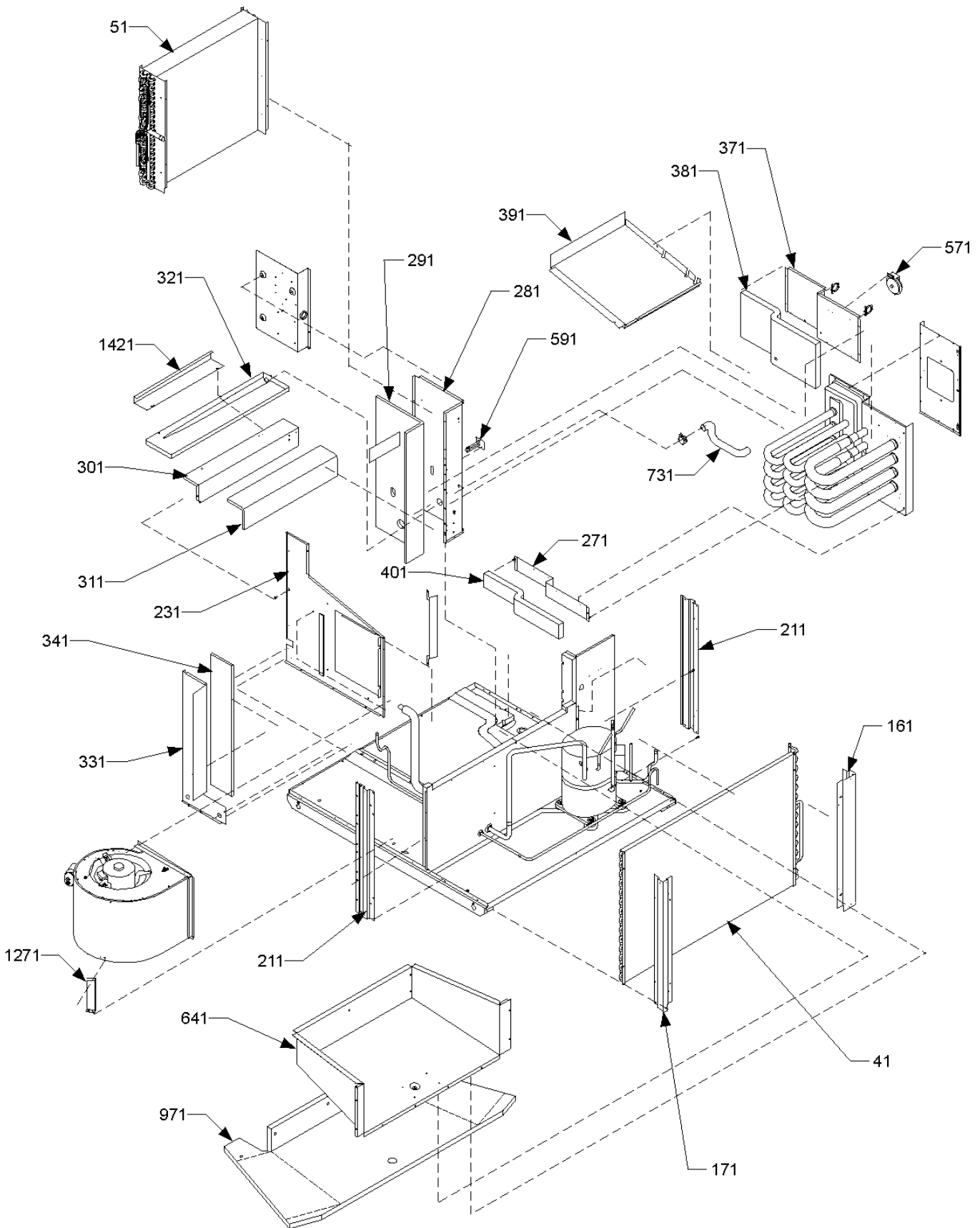
Chassis

Ref Part No:	Description:	Ref. Part No:	Description:
<i>Image 1:</i>			
61	11097601		BASEPAN
71	11097705		BASEPAN RAIL
81	11097003		DUCT COVER
91	11097004		DUCT COVER
111	11130301		BASEPAN INSULATION
121	CR30K6PFV960		COMPRESSOR 30000, 208/230/60/1 (M3, M4, M5)
121	10611921		COMPRESSOR TC AWF5528EXN (M2)
121	10611930		COMPRESSOR TC AWH5522EXN (M1)
141	11097906		COND PARTITION
151	11098005		PARTITION, HEAT EXCHANGER
251	11130201		CONDENSER INSULATION
261	11130701		INSULATION, HEAT EXCHANGER
841	B1315401		COMPRESSOR GROMMET (QTY 4)
851	M0221641		TF SHOULDER SCREW (QTY 4)
1401	20176703		BASEPAN RAIL

Expanded Model Nomenclature

M1 - PGA24C0702F	P1236309C
M2 - PGA30C0702F	P1236310C
M3 - PGA36C0702F	P1236311C
M4 - PGA36C0902F	P1236312C
M5 - PGA42C0902F	P1236313C

Chassis



Chassis

Ref Part No:	Description:	Ref. Part No:	Description:
<i>Image 1:</i>			
41	11119302		CONDENSER ASSY (M5)
41	1272511		CONDENSER ASSY (M3, M4)
41	20347701		CONDENSER ASSY (M1, M2)
51	1272602		EVAP ASSY (M2)
51	1272603		EVAP ASSY (M3, M4)
51	1272610		EVAP ASSY (M5)
51	1272615		EVAP ASSY (M1)
161	20001703		CORNER POST
171	20001804		CORNER POST
211	11098719		SIDE POST (QTY 2)
231	11098201		BLOWER PARTITION
271	11104206	93231 (M1, M2, M3)	PARTITION, HEAT EXCHANGER
271	11104207	93231 (M4, M5)	PARTITION, HEAT EXCHANGER
281	11087103		CONTROL PARTITION 59865
291	11130601		CONTROL INSULATION
301	11097503		EVAP FILLER
311	11130120		INSULATION
321	11095501		DRIP PAN
331	11098101		EVAP PARTITION
341	11131104		EVAP INSULATION
371	11104306		PLATE, HEAT EXCHANGER (M1, M2, M3)
371	11104307		PLATE, HEAT EXCHANGER (M4, M5)
381	11130103		INSULATION, HEAT EXCHANGER TOP (M4, M5)
381	11130104		INSULATION, HEAT EXCHANGER TOP (M1, M2, M3)
391	11097401		HEAT SHIELD
401	11130101		INSULATION, HEAT EXCHANGER BTM (M1, M2, M3)
571	11112501S		PRESSURE SWITCH
591	10728302		AUXILIARY LIMIT (M1, M2, M3)
591	10728319		AUXILIARY LIMIT (M4, M5)
641	11098304		FAN PARTITION
651	11098801		BLOWER BAFFLE
731	11104901		DRAIN TUBE
971	11197402		INSULATION, FAN PARTITION
1271	11097201		BLOWER BRACKET
1421	20248101		COVER, DRIP PAN

Expanded Model Nomenclature

M1 - PGA24C0702F	P1236309C
M2 - PGA30C0702F	P1236310C
M3 - PGA36C0702F	P1236311C
M4 - PGA36C0902F	P1236312C
M5 - PGA42C0902F	P1236313C

Heat Exchanger/Manifold Assy

Image 1

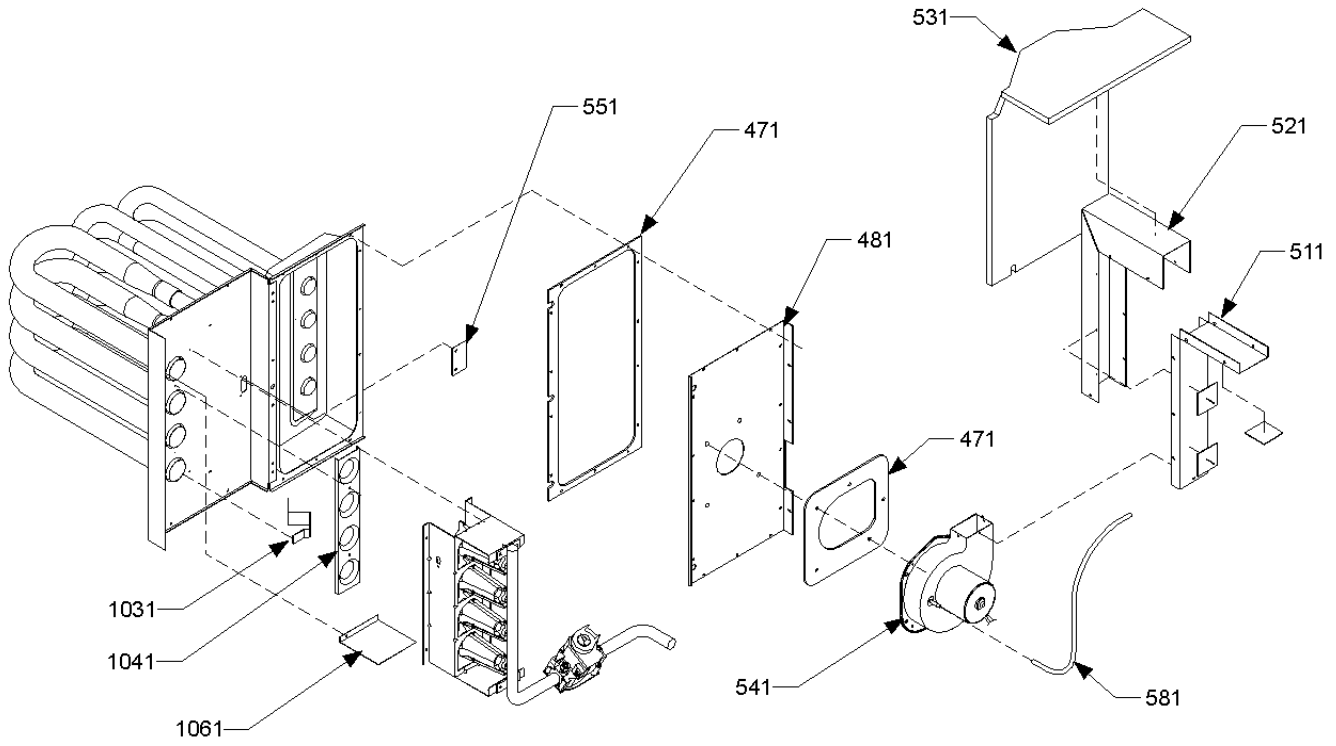
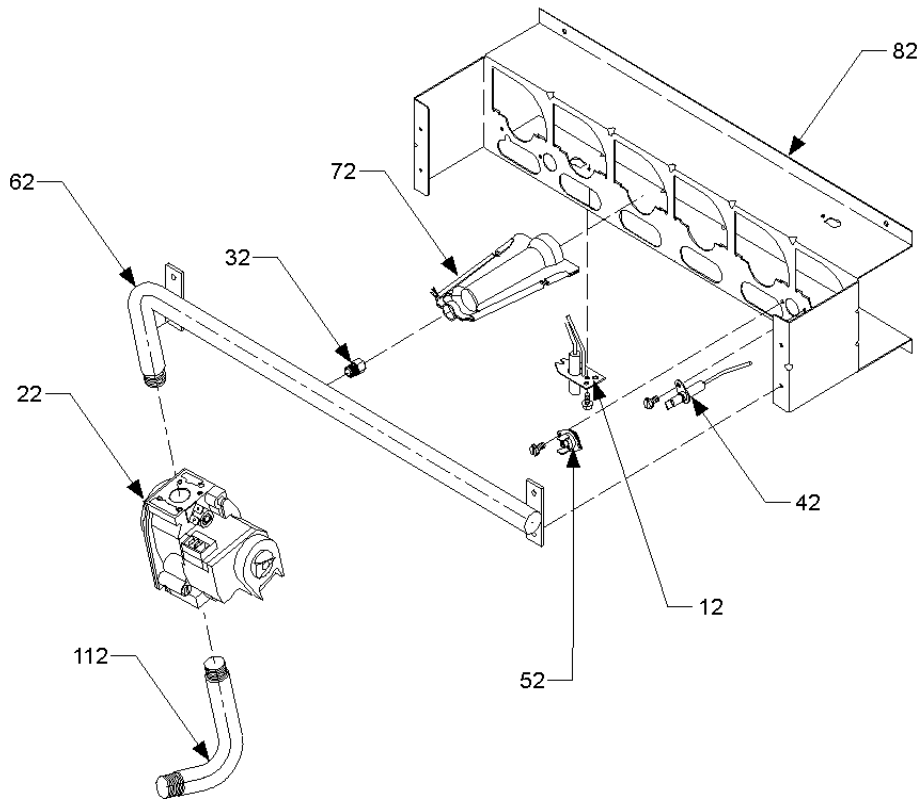


Image 2



Heat Exchanger/Manifold Assy

Ref Part No:	Description:	Ref. Part No:	Description:
--------------	--------------	---------------	--------------

Image 1:

471	11142201	GASKET, COLLECTOR/ID (M1, M2, M3)
471	11142202	GASKET, COLLECTOR/ID (M4, M5)
481	11186802Q	BLOWER PLATE (M1, M2, M3)
481	11186803Q	BLOWER PLATE (M4, M5)
511	11104501	BOTTOM FLUE
521	11104601	FLUE TOP
531	11131007	FLUE INSULATION
541	20351403	ID BLOWER
551	11097102	COVER PLATE
581	B1410304Q	HOSE, PRESSURE SWITCH
1031	10624003	INSERT, MESH TUBE (QTY 3)
1041	11072202	ORIFICE SHIELD (M1, M2, M3)
1041	11072203	ORIFICE SHIELD (M4, M5)
1061	11190202	HEAT DEFLECTOR

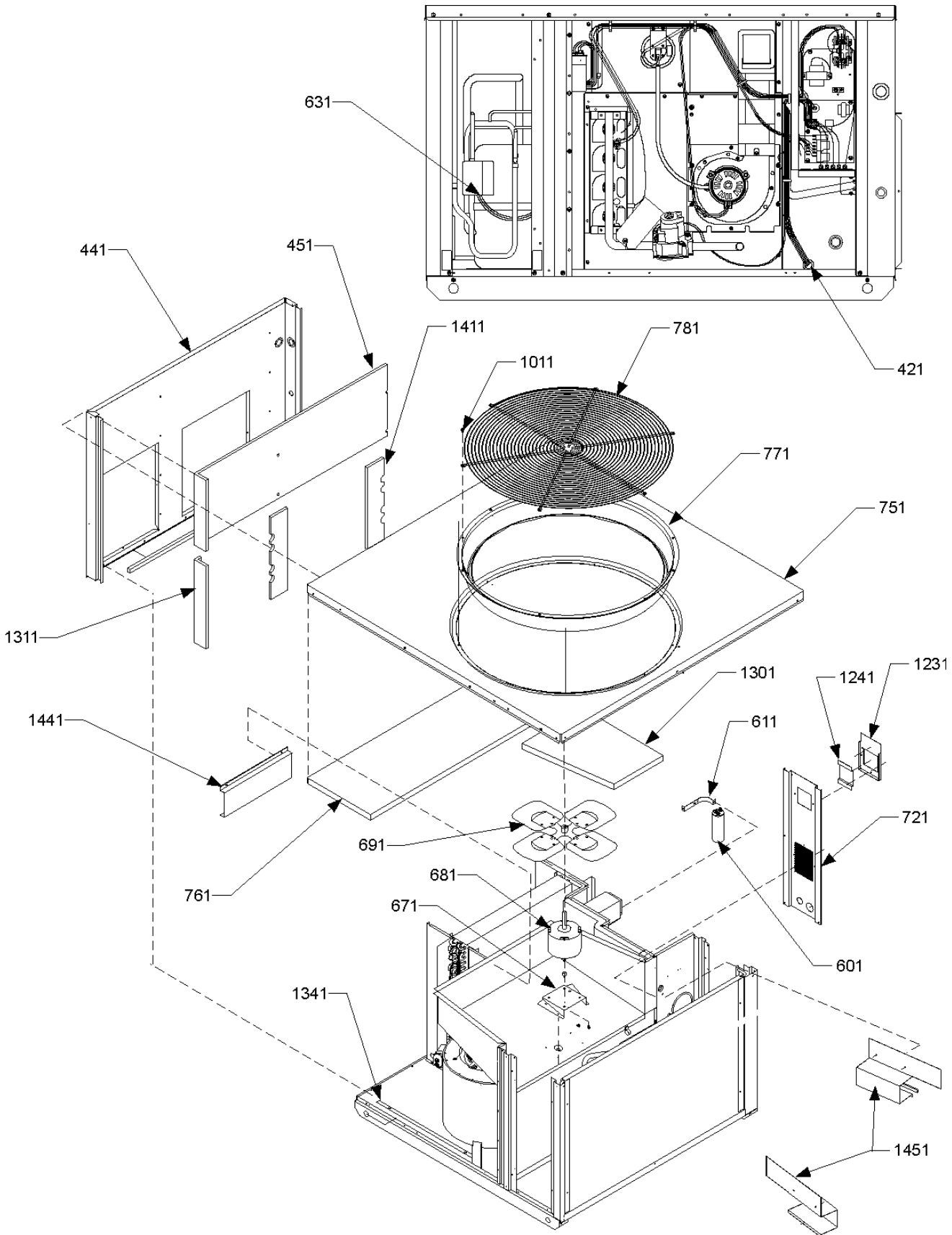
Image 2:

12	20261708	IGNITOR
22	B1282628	GAS VALVE, MANIFOLD (36G)
32	10716003	ORIFICE (QTY AR)
42	0130F00010	FLAME SENSOR
52	10123531	RESET LIMIT, MANUAL
62	20336002	MANIFOLD 3B (M1, M2, M3)
62	20336003	MANIFOLD 4B (M4, M5)
72	10735102S	BECKETT BURNER (QTY AR)
82	20190411	BURNER BRACKET 3B (M1, M2, M3)
82	20190412	BURNER BRACKET 4B (M4, M5)
112	20308204	ELBOW

Expanded Model Nomenclature

M1 - PGA24C0702F	P1236309C
M2 - PGA30C0702F	P1236310C
M3 - PGA36C0702F	P1236311C
M4 - PGA36C0902F	P1236312C
M5 - PGA42C0902F	P1236313C

Chassis



Chassis

Ref Part No:	Description:	Ref. Part No:	Description:
<i>Image 1:</i>			
421 11119801	WIRING HARNESS, BLOWER (M1, M2, M3, M4)		
421 11119802	WIRING HARNESS, BLOWER (M5)		
441 11098403	BACK PANEL		
451 20247701	INSULATION, BACK PANEL		
601 CAP050250370RS	CAPACITOR 5/25/370V (M1)		
601 CAP050350370RS	CAPACITOR 5/35/370V (M3, M4)		
601 CAP050400370RS	CAPACITOR 5/40/370V (M5)		
601 CAP050400440RT	CAPACITOR 5/40/440V (M2)		
611 C6300502	CAPACITOR STRAP (M1, M2, M3, M4)		
611 C6300503	CAPACITOR STRAP (M5)		
631 11120201	COMPRESSOR HARNESS		
671 11099501	MOTOR MOUNT-COND		
681 11112807	COND MOTOR		
691 20359501	FAN		
721 11098604	POST, HEAT EXCHANGER		
751 11097802	TOP COVER		
761 11130113	TOP INSULATION		
771 20171401	CONDENSER ORIFICE		
781 11112001	FAN GRILLE		
1011 M0221817	SMALL SCREW (QTY 6)		
1231 11160501	FLUE BACK		
1241 11134901	FLUE MESH		
1301 11182501	TOP INSULATION		
1311 20248001	INSULATION, BACK PANEL		
1341 20005801	RETAINER		
1411 20248001	INSULATION, BACK PANEL (QTY 2)		
1441 20248502	SOUND BAFFLE		
1451 20248402	SOUND BAFFLE (QTY 2)		

Expanded Model Nomenclature

M1 - PGA24C0702F	P1236309C
M2 - PGA30C0702F	P1236310C
M3 - PGA36C0702F	P1236311C
M4 - PGA36C0902F	P1236312C
M5 - PGA42C0902F	P1236313C

Blower/Control Panel

Image 1

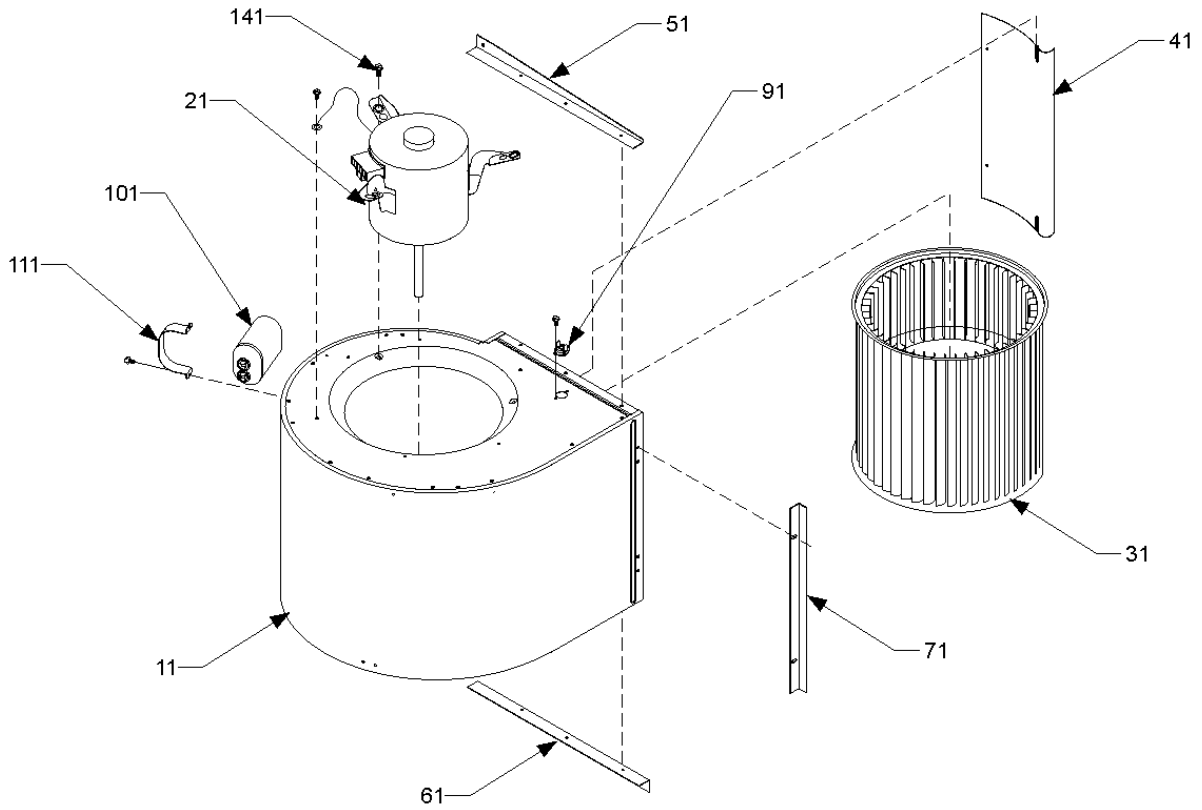
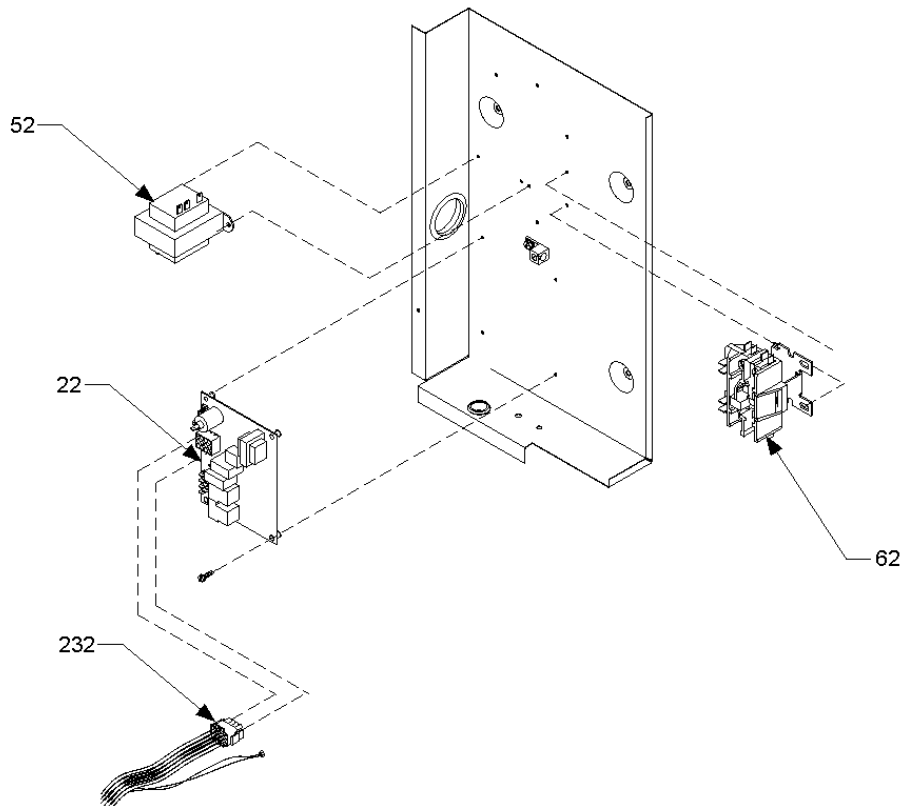


Image 2



Blower/Control Panel

Ref Part No:	Description:	Ref. Part No:	Description:
--------------	--------------	---------------	--------------

Image 1:

11	10324231	ASSY, BLOWER HOUSING
11	11128110Q	ASSY, BLOWER HOUSING
21	11119201S	EVAP MOTOR (M1, M2, M3, M4)
21	11119202	EVAP MOTOR (M5)
31	D6723306S	BLOWER WHEEL
41	C6121807	CUT-OFF
51	11096604	ANGLE, BLOWER SIDE
61	11096704	ANGLE, BLOWER SIDE
71	11096802	ANGLE, BLOWER BACK
91	20269905	PRIMARY LIMIT
101	CAP100000370VA	CAPACITOR 10/370V (M5)
101	CAP150000370VC	CAPACITOR 15/370V (M1, M2, M3, M4)
111	A3410501	CAPACITOR STRAP (M1, M2, M3, M4)
111	A4055402	CAPACITOR STRAP (M5)
141	M0250558	TC SCREW (QTY 3)

Image 2:

22	B1809918S	CONTROL BOARD
52	11120302	TRANSFORMER
62	22308302	CONTACTOR 30A
232	20262105	WIRING HARNESS (12-PIN CONNECTOR)

Expanded Model Nomenclature

M1 - PGA24C0702F	P1236309C
M2 - PGA30C0702F	P1236310C
M3 - PGA36C0702F	P1236311C
M4 - PGA36C0902F	P1236312C
M5 - PGA42C0902F	P1236313C