

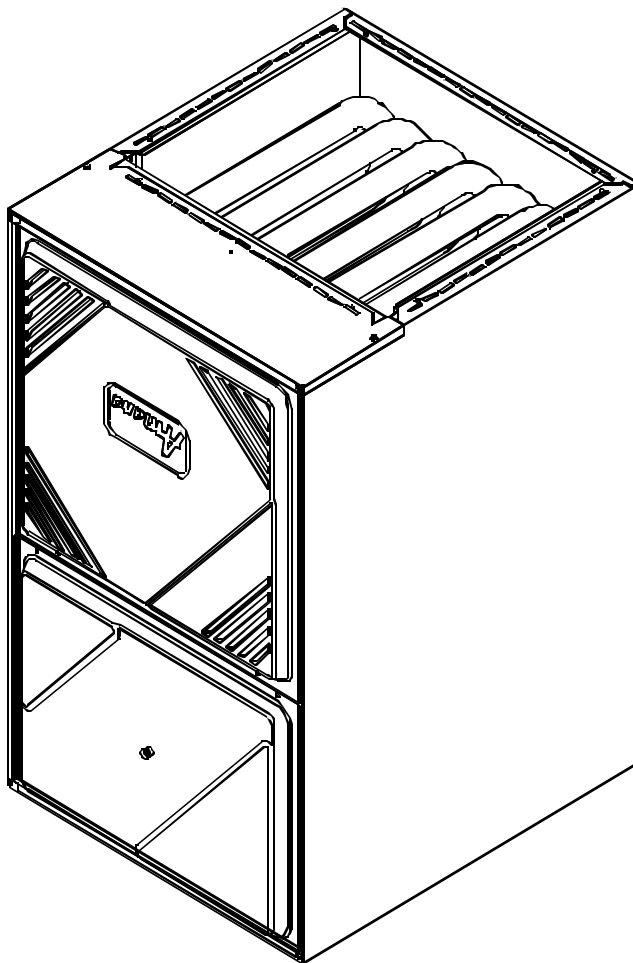
# Parts

## GCIC\*FX 80% Gas Furnace

Models and manufacturing numbers in this manual

GCIC045FX30	P1234401F
GCIC070FX30	P1234402F
GCIC070FX40	P1234403F
GCIC090FX30	P1234404F
GCIC090FX50	P1234405F
GCIC115FX40	P1234406F
GCIC115FX50	P1234407F
GCIC140FX50	P1234408F

This manual replaces RP6620034 Revision 1.



This manual is to be used by qualified appliance technicians only. Amana does not assume any responsibility for property damage or personal injury for improper service procedures performed by an unqualified person.

**A** Heating & Air Conditioning  
**Amana**  
Comfort. Quality. Trust.

RP6620034  
Revision 2  
November 2002

## Important Information

---

Amana is not responsible for personal injury or property damage resulting from improper service. Review all service information before beginning repairs.

Warranty service must be performed by an authorized technician, using authorized factory parts. If service is required after the warranty expires, Amana also recommends contacting an authorized technician and using authorized factory parts.

For assistance within the U.S.A. contact:

Consumer Affairs Department  
Amana Heating and Air Conditioning  
1810 Wilson Parkway  
Fayetteville, TN 37334  
877-254-4729-Telephone  
931-438-2922-Facsimile

For assistance outside the U.S.A. contact:

International Division  
Amana Heating and Air Conditioning  
1810 Wilson Parkway  
Fayetteville, TN 37334  
931-438-3632-Telephone  
931-438-2922-Facsimile

# Index

Functional Parts List ..... 4 - 5  
Illustration and Parts ..... 6 - 15

*Views shown are for parts illustrations only, not servicing procedure*

Revision 1 Updated Specification Sheet.  
Revision 2 Added primary limits for GCIC070FX30, GCIC070FX40 and GCIC140FX50.

### Text Codes:

- AR - As Required
- NA - Not Available
- NS - Not Shown
- 00000000 - See Note
- QTY - Quantity Example (QTY 3) (If Quantity not shown, Quantity = 1)
- M - Model Example (M1) (If M Code not shown, then part is used on all Models)

### Expanded Model and Color Nomenclature:

Example	
M1 - Model#1	P _____
M2 - Model#2	P _____
M3 - Model#3	P _____

# Functional Parts

## Part

## No: Description:

---

10735102	BECKETT BURNER (QTY AR)
20044402	BLOWER ID
D6879752	CAPACITOR (M1, M2, M4)
D6879756	CAPACITOR (M3)
D6879747	CAPACITOR (M6)
D6879740	CAPACITOR (M5, M7, M8)
10207717	CONTROL-INTEG
20200908	HARNESS-WIRING (BLOWER)
20302202	HARNESS-WIRING (MAIN)
11111701	IGNITOR-SINI
10728304	LIMIT PRIMARY (M2, M3)
10728312	LIMIT PRIMARY (M8)
10728314	LIMIT-PRIMARY (M6, M7)
10728341	LIMIT-PRIMARY (M1)
10728340	LIMIT-PRIMARY (M4, M5)
10123537	LIMIT-RESET MAN (AUXILIARY) (M1, M2, M3)
10123536	LIMIT-RESET MAN (AUXILIARY) (M4, M5, M6, M7, M8)
10123539	LIMIT-RESET MAN (ROLLOUT) (M8)
10123530	LIMIT-RESET MAN (ROLLOUT) (M4, M5)
10123534	LIMIT-RESET MAN (ROLLOUT) (M1, M6, M7)
20046615	MOTOR-BLOWER 1/2 HP (M3)
20046619	MOTOR-BLOWER 1/2 HP (M6)
20046614	MOTOR-BLOWER 1/3 HP (M1, M2, M4)
20046618	MOTOR-BLOWER 3/4 HP (M8)
20046620	MOTOR-BLOWER 3/4 HP (M7)
20046617	MOTOR-BLOWER 3/4 HP (M5)
10716003	ORIFICE (QTY AR)
10690402	SWITCH-INTERLOCK
10727924	SWITCH-PRESSURE
C6349703	TRANSFORMER
C6476910	VALVE-GAS
D6723303	WHEEL-BLOWER (M4, M5)
D6723310	WHEEL-BLOWER (M1, M2, M3)
D6723306	WHEEL-BLOWER (M6, M7, M8)

# Functional Parts

## Part

**No:**            **Description:**

---

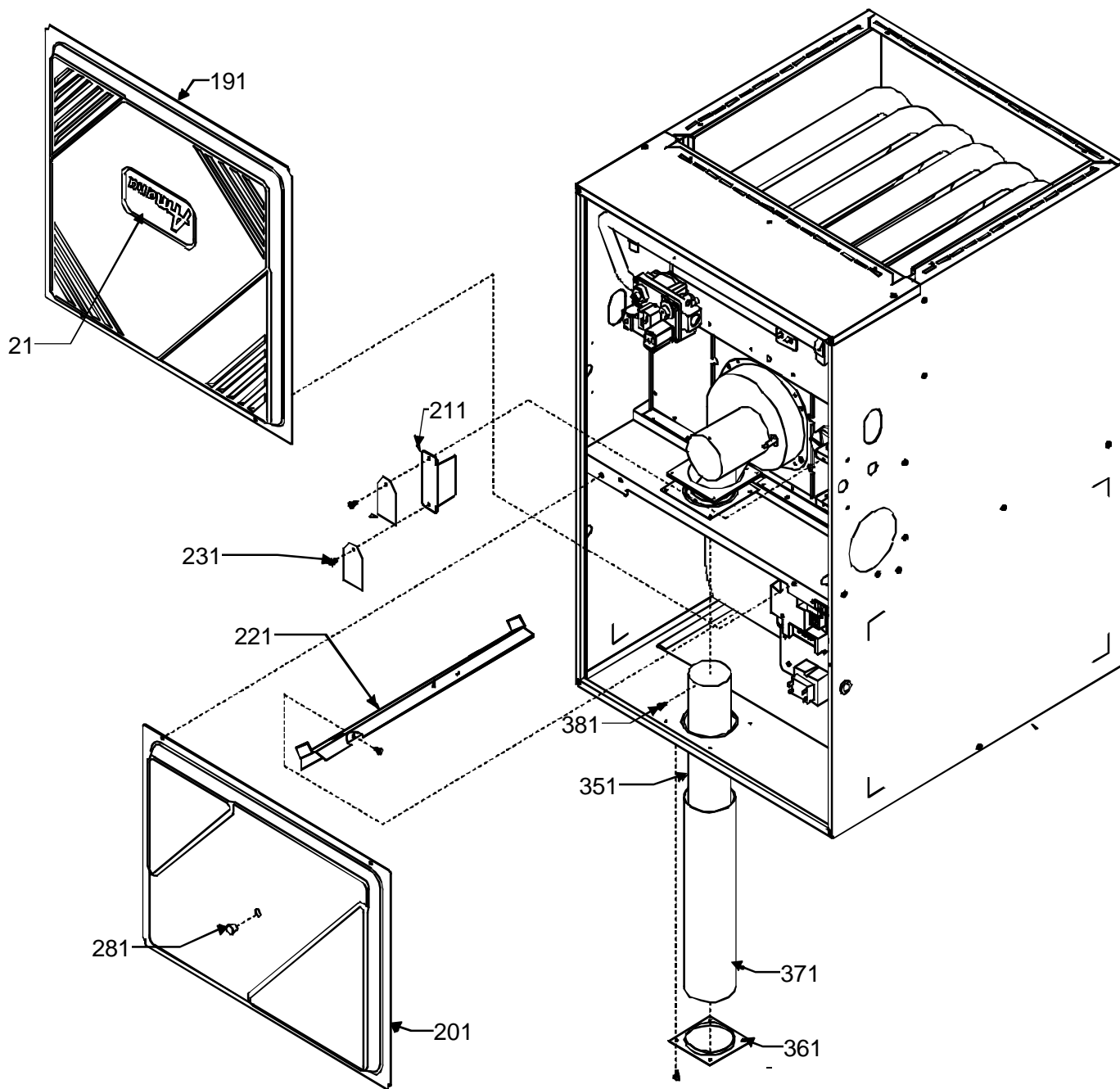
### SPECIAL PARTS

10758009	CERT-WARRANTY
10759828	INSTRUC-INSTALL
RP6620034	MANUAL PARTS
RS6600001	MANUAL SERVICE
RT6621003	MANUAL-TECH
10759621	MANUAL-USERS
20213209	NAMEPLATE-AMANA
11110628	SPEC-SHEET

### Expanded Model and Color Nomenclature

M1 - GCIC045FX30	P1234401F
M2 - GCIC070FX30	P1234402F
M3 - GCIC070FX40	P1234403F
M4 - GCIC090FX30	P1234404F
M5 - GCIC090FX50	P1234405F
M6 - GCIC115FX40	P1234406F
M7 - GCIC115FX50	P1234407F
M8 - GCIC140FX50	P1234408F

# Front Panels



# Front Panels

Ref. Part No:	Description:	Ref. Part No:	Description:
---------------	--------------	---------------	--------------

Image 1:

21	20213209	NAMEPLATE-AMANA
191	20177408	DOOR-ACCESS (M1, M2, M3)
191	20177409	DOOR-ACCESS (M4, M5)
191	20177410	DOOR-ACCESS (M6, M7, M8)
201	20177304	DOOR-BLWR (M1, M2, M3)
201	20177305	DOOR-BLWR (M4, M5)
201	20177306	DOOR-BLWR (M6, M7, M8)
211	10736201	COVER-HV BOX
221	10368501	RAIL-FILTER FUR
231	M0211530	SCREW-SM (QTY 2)
281	11104001	SNAP-BUSHING CLR
351	B9268909	PIPE-FLUE
361	20274501	BRKT-VENT TUBE
371	11022003	TUBE-VENT
381	M0233716	SCREW-SD (M5)

## Expanded Model and Color Nomenclature

M1 - GCIC045FX30	P1234401F
M2 - GCIC070FX30	P1234402F
M3 - GCIC070FX40	P1234403F
M4 - GCIC090FX30	P1234404F
M5 - GCIC090FX50	P1234405F
M6 - GCIC115FX40	P1234406F
M7 - GCIC115FX50	P1234407F
M8 - GCIC140FX50	P1234408F

# Partition Tube/Collector Box/Manifold

Image 1

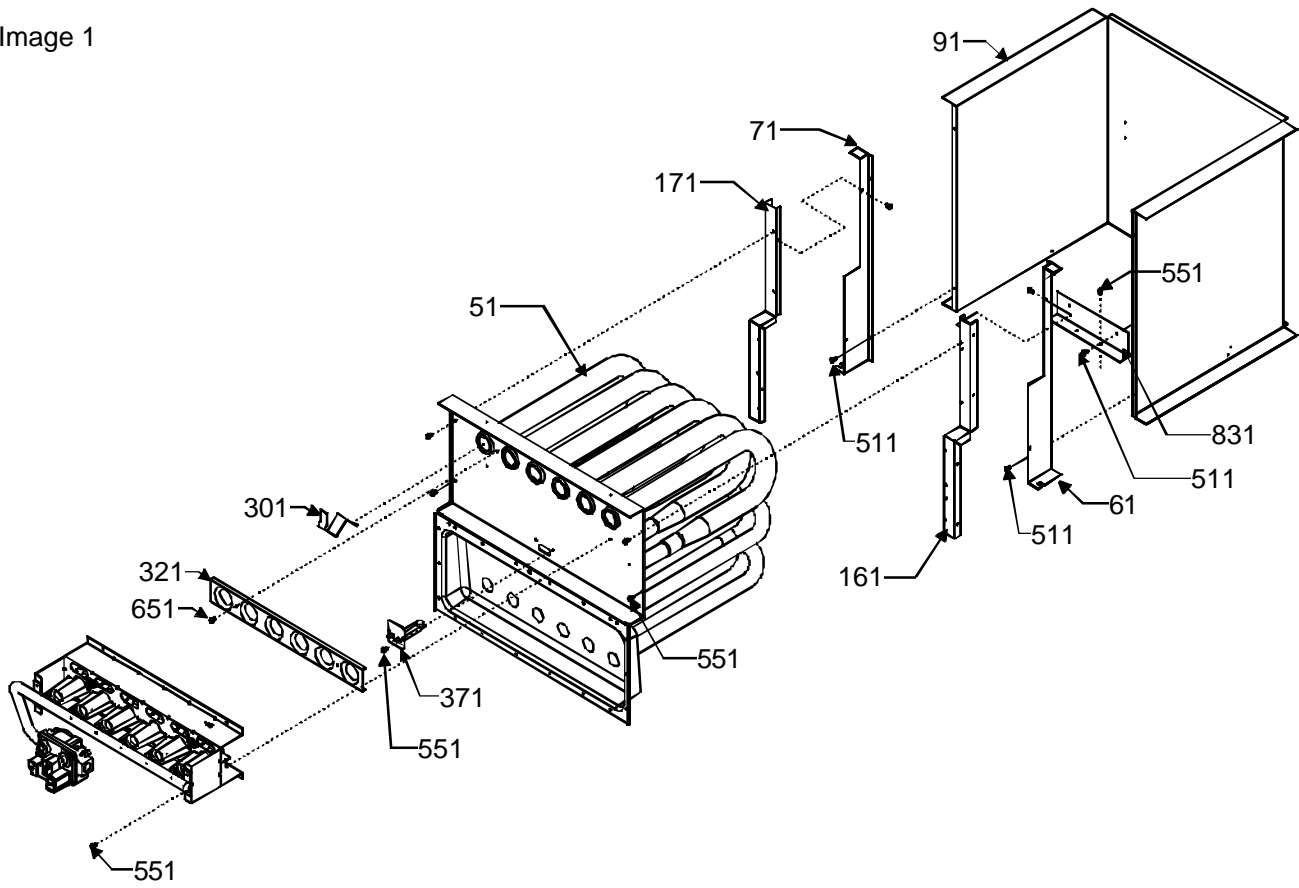
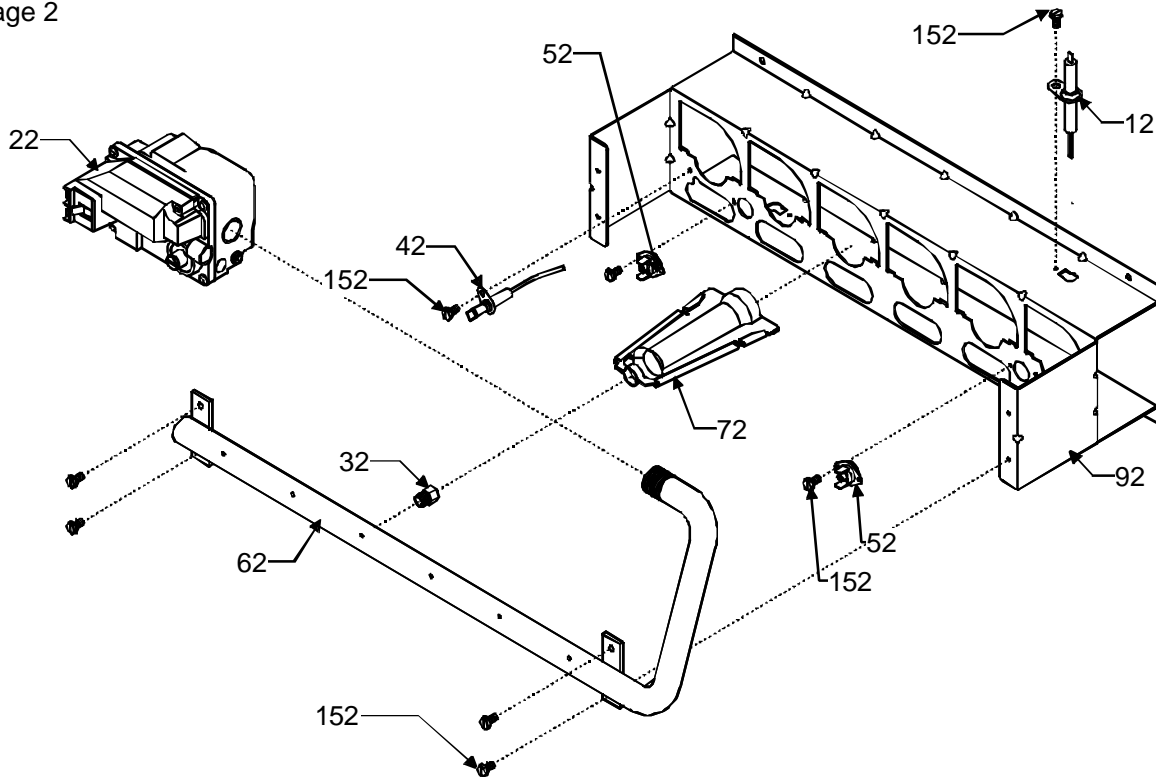


Image 2



# Partition Tube/Collector Box/Manifold

Ref. Part No: No:	Description:	Ref. Part No: No:	Description:
-------------------	--------------	-------------------	--------------

Image 1:

51	11094123	PTN/TUBE ASSY 2B (M1)
51	11094124	PTN/TUBE ASSY 3B (M2, M3)
51	11094125	PTN/TUBE ASSY 4B (M4, M5)
51	11094126	PTN/TUBE ASSY 5B (M6, M7)
51	11094127	PTN/TUBE ASSY 6B (M8)
61	10728601	BRACKET-LINER
71	10728602	BRACKET-LINER
91	10728707	LINER-CAB (M1)
91	10728708	LINER-CAB (M2, M3)
91	10728709	LINER-CAB (M4, M5)
91	10728710	LINER-CAB (M6, M7)
91	10728711	LINER-CAB (M8)
161	10728504	RAIL-PART PNL
171	10728503	RAIL-PART PNL
301	10624003	INSERT-MESH TUBE (QTY AR)
321	11072201	SHIELD-ORF (M1)
321	11072202	SHIELD-ORF (M2, M3)
321	11072203	SHIELD-ORF (M4, M5)
321	11072204	SHIELD-ORF (M6, M7)
321	11072205	SHIELD-ORF (M8)
371	10728304	LIMIT PRIMARY (M2, M3)
371	10728312	LIMIT PRIMARY (M8)
371	10728314	LIMIT-PRIMARY (M6, M7)
371	10728340	LIMIT-PRIMARY (M4, M5)
371	10728341	LIMIT-PRIMARY (M1)
511	M0219918	SCREW-SM #8-5/8 (QTY AR)
551	M0219916	SCREW-SM (QTY 8)
651	M0211020	SCREW-SM #8-7/8 (QTY 2)
831	11008306	BAFFLE-LINER

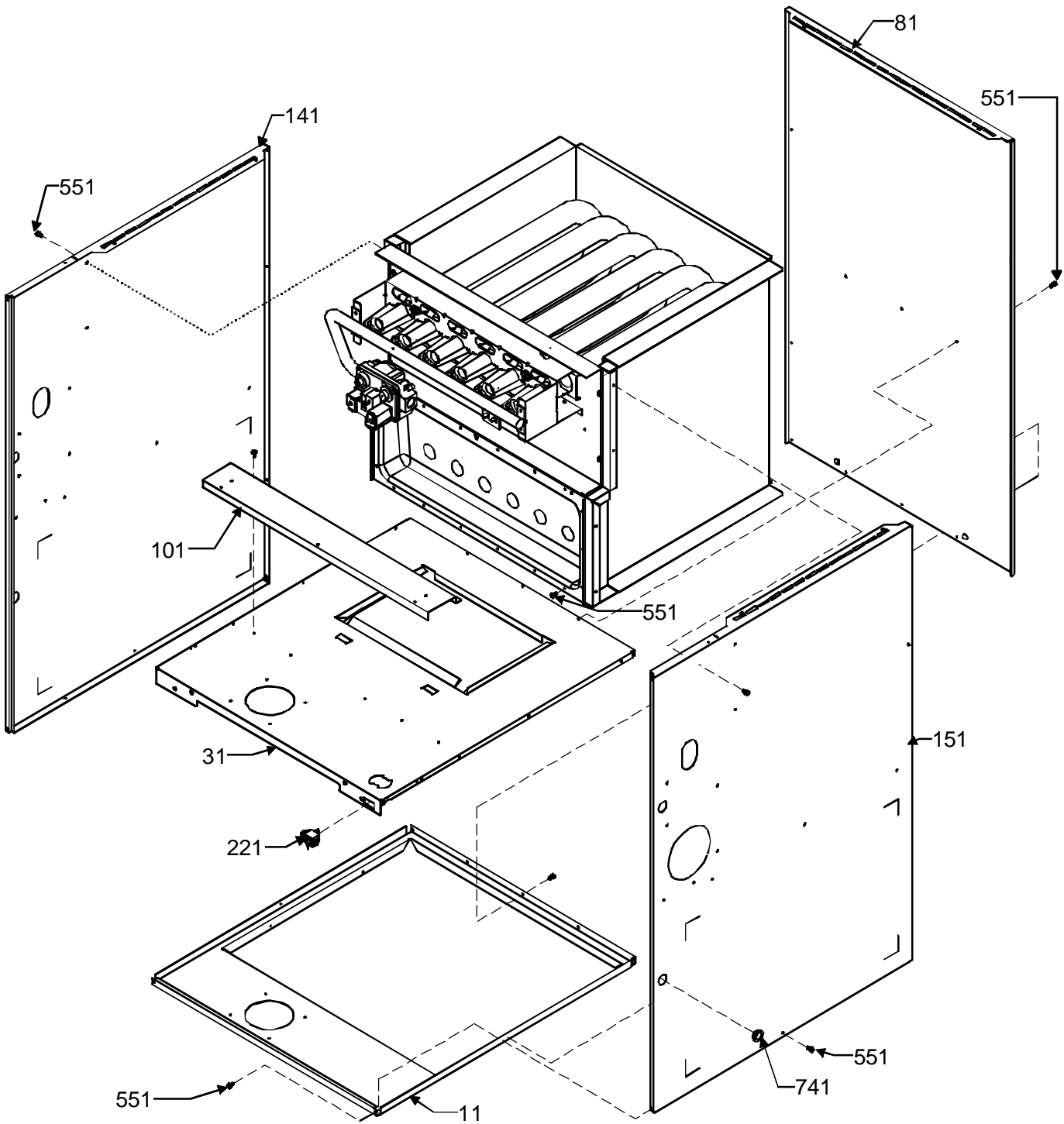
Image 2:

12	11111701	IGNITOR-SINI
22	C6476910	VALVE-GAS
32	10716003	ORIFICE (QTY AR)
42	10735201	FLAME-SENSOR
52	10123530	LIMIT-RESET MAN (ROLLOUT) (M4, M5)
52	10123534	LIMIT-RESET MAN (ROLLOUT) (M1, M6, M7)
52	10123539	LIMIT-RESET MAN (ROLLOUT) (M8)
62	20301801	MANIFOLD 2B (M1)
62	20301802	MANIFOLD 3B (M2, M3)
62	20301803	MANIFOLD 4B (M4, M5)
62	20301804	MANIFOLD 5B (M6, M7)
62	20301805	MANIFOLD 6B (M8)
72	10735102	BECKETT BURNER (QTY AR)
92	20190405	BRKT-BURNER 2B (M1)
92	20190407	BRKT-BURNER 3B (M2, M3)
92	20190408	BRKT-BURNER 4B (M4, M5)
92	20190409	BRKT-BURNER 5B (M6, M7)
92	20190406	BRKT-BURNER 6B (M8)
152	M0216529	SCREW-SM (QTY AR)

Expanded Model and Color Nomenclature

M1 - GCIC045FX30	P1234401F
M2 - GCIC070FX30	P1234402F
M3 - GCIC070FX40	P1234403F
M4 - GCIC090FX30	P1234404F
M5 - GCIC090FX50	P1234405F
M6 - GCIC115FX40	P1234406F
M7 - GCIC115FX50	P1234407F
M8 - GCIC140FX50	P1234408F

# Outer Cabinet



# Outer Cabinet

Ref. Part No:	Description:	Ref. Part No:	Description:
---------------	--------------	---------------	--------------

Image 1:

11	20273504	BASEPAN-C'FLOW (M1, M2, M3)
11	20273505	BASEPAN-C'FLOW (M4, M5)
11	20273506	BASEPAN-C'FLOW (M6, M7, M8)
31	20190228	DECK-BLWR (M1, M2, M3)
31	20190229	DECK-BLWR (M4, M5)
31	20190230	DECK-BLWR (M6, M7, M8)
81	20273204	PANEL-BACK (M1, M2, M3)
81	20273205	PANEL-BACK (M4, M5)
81	20273206	PANEL-BACK (M6, M7, M8)
101	20301901	SUPPORT-PART PNL (M1, M2, M3)
101	20301902	SUPPORT-PART PNL (M4, M5)
101	20301903	SUPPORT-PART PNL (M6, M7, M8)
141	10727119	PANEL-SIDE LH
151	10727019	PANEL-SIDE RH
221	10690402	SWITCH-INTERLOCK
551	M0219916	SCREW-SM (QTY AR)
741	M0571002	BUSHING-SNAP (QTY AR)

## Expanded Model and Color Nomenclature

M1 - GCIC045FX30	P1234401F
M2 - GCIC070FX30	P1234402F
M3 - GCIC070FX40	P1234403F
M4 - GCIC090FX30	P1234404F
M5 - GCIC090FX50	P1234405F
M6 - GCIC115FX40	P1234406F
M7 - GCIC115FX50	P1234407F
M8 - GCIC140FX50	P1234408F



# Vent System/Controls

Ref. Part No: No:	Description:	Ref. Part No: No:	Description:
-------------------	--------------	-------------------	--------------

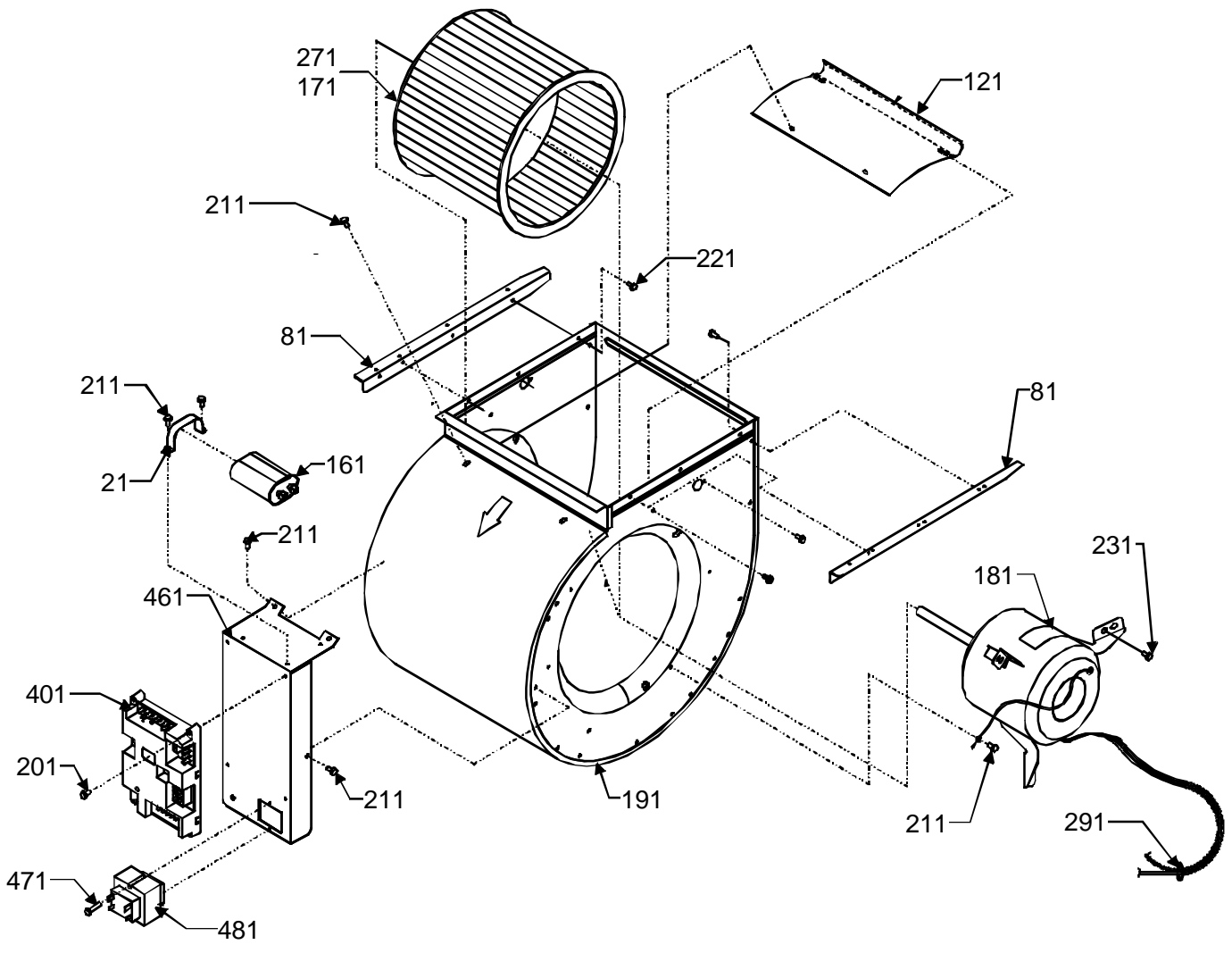
Image 1:

111	20273304	COVER (M1, M2, M3)
111	20273305	COVER (M4, M5)
111	20273306	COVER (M6, M7, M8)
121	20274501	BRKT-VENT TUBE
201	10764404	PLATE-PTN (M1, M2, M3)
201	10764405	PLATE-PTN (M5)
201	10764406	PLATE-PTN (M6, M7)
211	B1410303	HOSE-PRESSURE SW (M4, M5)
211	B1410304	HOSE-PRESSURE SW (M6, M7, M8)
211	B1410311	HOSE-PRESSURE SW (M2, M3)
211	B1410314	HOSE-PRESSURE-SW (M1)
231	10764601	GASKET-ROTATE PLT
241	11142201	GASKET-COLL/ID (M1, M2, M3)
241	11142202	GASKET-COLL/ID (M4, M5)
241	11142203	GASKET-COLL/ID (M6, M7, M8)
251	10764318	PLATE-ROTATING (M1)
251	10764313	PLATE-ROTATNG (M5, M7)
251	10764315	PLATE-ROTATNG (M2, M3)
271	20044402	BLOWER ID
281	11072302	TRAN-ID BLOW
301	10727924	SWITCH-PRESSURE
311	10736102	BOX-HIGH VOLT
331	11009703	TOP-TRAN PLATE
381	10123536	LIMIT-RESET MAN (AUXILIARY) (M4, M5, M6, M7, M8)
381	10123537	LIMIT-RESET MAN (AUXILIARY) (M1, M2, M3)
411	M0253516	SCREW-TR (QTY 4)
421	A4554801	BUSHING-SNAP
531	M0211530	SCREW-SM (QTY 2)
541	M0216716	SCREW-SM (QTY 2)
551	M0216716	SCREW-SM (QTY 4)
561	M0224303	SCREW-SM (QTY AR)
741	M0571002	BUSHING-SNAP (QTY AR)
771	M0270001	WASHER-CUP
781	M0227803	SCREW-TC

## Expanded Model and Color Nomenclature

M1 - GCIC045FX30	P1234401F
M2 - GCIC070FX30	P1234402F
M3 - GCIC070FX40	P1234403F
M4 - GCIC090FX30	P1234404F
M5 - GCIC090FX50	P1234405F
M6 - GCIC115FX40	P1234406F
M7 - GCIC115FX50	P1234407F
M8 - GCIC140FX50	P1234408F

# Blower



# Blower

Ref. Part No:	No:	Description:	Ref. Part No:	No:	Description:
<i>Image 1:</i>					
21	A3410501	STRAP-CAPACITOR (M5, M7, M8)			
21	A4055402	STRAP-CAPACITOR (M1, M2, M3, M4, M6)			
81	20175101	RAIL-BLWR SIDE (QTY 2)			
121	C6121803	CUTOFF (M1, M2, M3)			
121	C6121806	CUTOFF (M4, M5)			
121	C6121807	CUTOFF (M6, M7, M8)			
161	D6879740	CAPACITOR (M5, M7, M8)			
161	D6879747	CAPACITOR (M6)			
161	D6879752	CAPACITOR (M1, M2, M4)			
161	D6879756	CAPACITOR (M3)			
171	D6723303	WHEEL-BLOWER (M4, M5)			
171	D6723306	WHEEL-BLOWER (M6, M7, M8)			
171	D6723310	WHEEL-BLOWER (M1, M2, M3)			
181	20046615	MOTOR-BLOWER 1/2 HP (M3)			
181	20046619	MOTOR-BLOWER 1/2 HP (M6)			
181	20046614	MOTOR-BLOWER 1/3 HP (M1, M2, M4)			
181	20046617	MOTOR-BLOWER 3/4 HP (M5)			
181	20046618	MOTOR-BLOWER 3/4 HP (M8)			
181	20046620	MOTOR-BLOWER 3/4 HP (M7)			
191	11185816	HSG WELD-BLWR (M1, M2, M3)			
191	11185817	HSG WELD-BLWR (M4, M5)			
191	11185818	HSG WELD-BLWR (M6, M7, M8)			
211	M0219916	SCREW-SM (QTY 10)			
221	M0253516	SCREW-TR (QTY 6)			
231	M0250558	SCREW-TC (QTY 3)			
291	M0321202	TIE-ELEC LG (QTY AR)			
401	10207717	CONTROL-INTEG			
461	10746205	BRACKET-CONT			
471	M0211021	SCREW-SM #8-1" (QTY 2)			
481	C6349703	TRANSFORMER			

## Expanded Model and Color Nomenclature

M1 - GCIC045FX30	P1234401F
M2 - GCIC070FX30	P1234402F
M3 - GCIC070FX40	P1234403F
M4 - GCIC090FX30	P1234404F
M5 - GCIC090FX50	P1234405F
M6 - GCIC115FX40	P1234406F
M7 - GCIC115FX50	P1234407F
M8 - GCIC140FX50	P1234408F