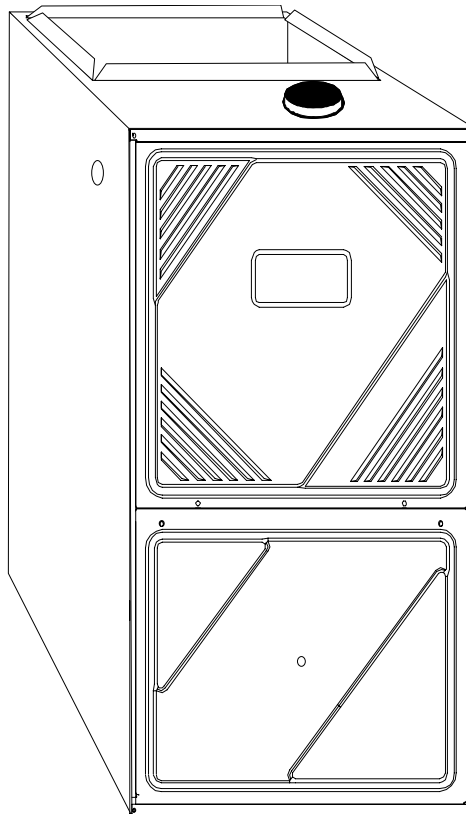


GUID*EA and EX models

GUID045EA30	P1234201F
GUID045EX30	P1234301F
GUID070EA30	P1234202F
GUID070EA30	P1244902F
GUID070EA40	P1234203F
GUID070EX30	P1234302F
GUID070EX40	P1234303F
GUID090EA30	P1234204F
GUID090EA50	P1234205F
GUID090EX30	P1234304F
GUID090EX50	P1234305F
GUID115EA50	P1234207F
GUID115EX50	P1234307F



RP6623001
Revision 3
September 2002

Amana is a trademark of Maytag Corporation and used under license to Goodman Company, L.P. All rights reserved.

This manual is to be used by qualified technicians only.

www.amana-hac.com

This manual replaces RP6623001 Rev. 2.
Copyright © 2002 Goodman Company, L.P.

Important Information

Index

Functional Parts List	3
Illustration and Parts	4 - 13

Views shown are for parts illustrations only, not servicing procedures

Revision 1 Added P1244902F GUID070EA30.

Revision 2 Changed Specification Sheet (11110627) for GUID*EA models.

Revision 3 Updated LH and RH side panel part numbers.

Text Codes:

AR - As Required

NA - Not Available

NS - Not Shown

00000000 - See Note

QTY - Quantity Example (QTY 3) (If Quantity not shown, Quantity = 1)

M - Model Example (M1) (If M Code not shown, then part is used on all Models)

Expanded Model Nomenclature:

Example
M1 - Model#1
M2 - Model#2
M3 - Model#3

Goodman Company, L.P. is not responsible for personal injury or property damage resulting from improper service. Review all service information before beginning repairs.

Warranty service must be performed by an authorized technician, using authorized factory parts. If service is required after the warranty expires, Goodman Company, L.P. also recommends contacting an authorized technician and using authorized factory parts.

Goodman Company, L.P. reserves the right to discontinue, or change at any time, specifications or designs without notice or without incurring obligations. Goodman® brand products are made proudly in the USA.

For assistance within the U.S.A. contact:

Consumer Affairs Department
Goodman Company, L.P.
7401 Security Way
Houston, Texas 77040
877-254-4729-Telephone
713-863-2382-Facsimile

For assistance outside the U.S.A. contact:

International Division
Goodman Company, L.P.
7401 Security Way
Houston, Texas 77040
713-861-2500-Telephone
713-863-2382-Facsimile

Functional Parts

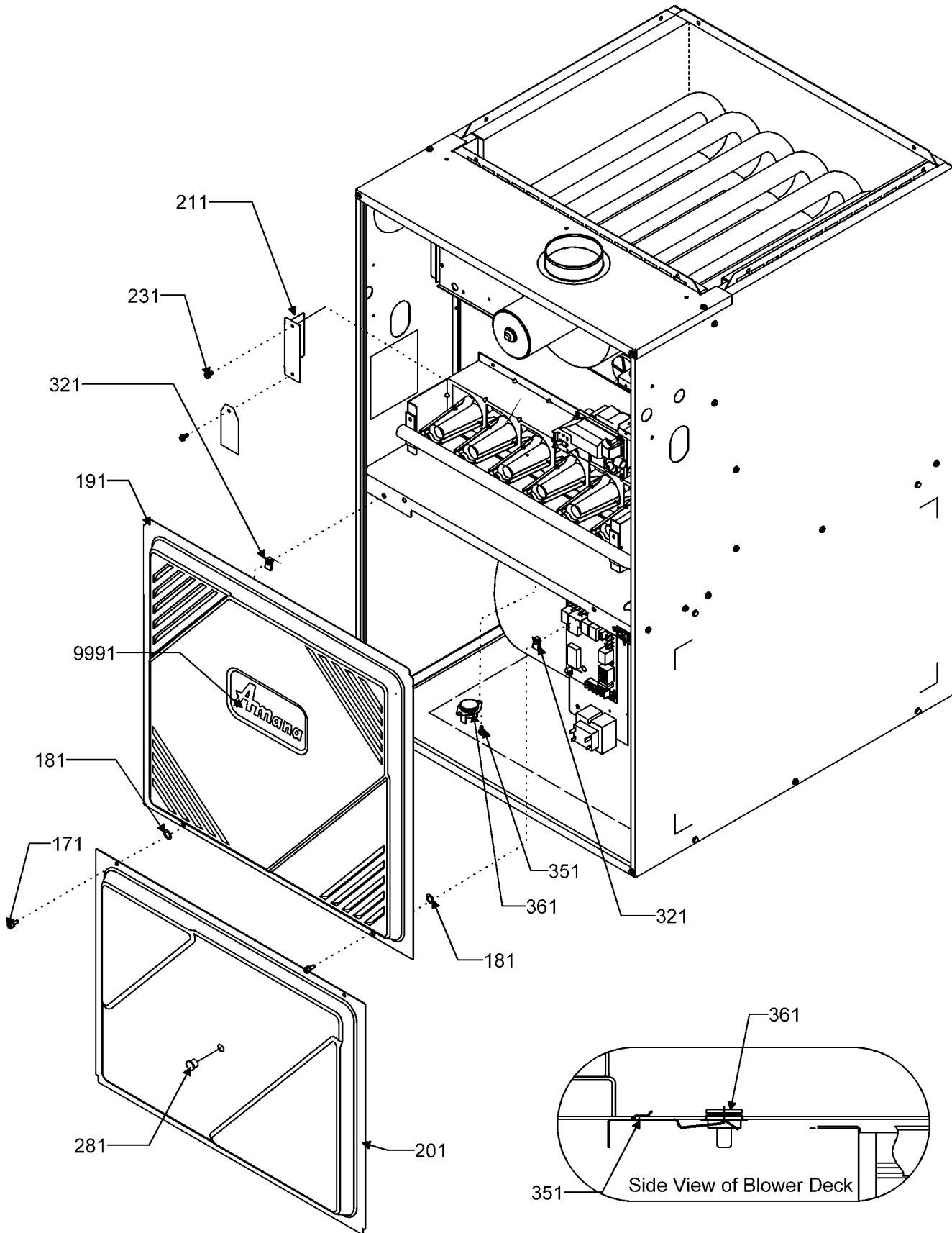
Part No: Description:

10735102	BECKETT BURNER (QTY AR)	10759621	MANUAL-USERS
20044402	BLOWER ID	11110622	SPEC SHEET (M7, M8, M9, M10, M11, M12)
D6879752	CAPACITOR (M1, M2, M4, M7, M8, M10, M13)	11110627	SPEC SHEET (M1, M2, M3, M4, M5, M6, M13)
D6879740	CAPACITOR (M5, M6, M11, M12)	Expanded Model Nomenclature	
D6879756	CAPACITOR (M3, M9)		
10207715	CONTROL-INTEG (M1, M2, M3, M4, M5, M6, M7, M8, M9, M10, M11, M12)	M1 - GUID045EA30	P1234201F
10735201	FLAME-SENSOR	M2 - GUID070EA30	P1234202F
20200905	HARNES-WIRING (BLOWER)	M3 - GUID070EA40	P1234203F
20302201	HARNES-WIRING (MAIN)	M4 - GUID090EA30	P1234204F
B1410302	HOSE-PRESSURE SW (M6)	M5 - GUID090EA50	P1234205F
B1410312	HOSE-PRESSURE SW (M4, M5)	M6 - GUID115EA50	P1234207F
20165702	IGNITOR (M1, M2, M3, M4, M5, M6, M13)	M7 - GUID045EX30	P1234301F
20165703	IGNITOR (M7, M8, M9, M10, M11)	M8 - GUID070EX30	P1234302F
10728330	LIMIT (PRIMARY) (M1, M7, M10, M11, M13)	M9 - GUID070EX40	P1234303F
10728325	LIMIT (PRIMARY) (M4, M5)	M10 - GUID090EX30	P1234304F
10728339	LIMIT (PRIMARY) (M2, M3, M8, M9, M12)	M11 - GUID090EX50	P1234305F
10728331	LIMIT (PRIMARY) (M6)	M12 - GUID115EX50	P1234307F
10123519	LIMIT-RESET MAN (AUXILIARY)	M13 - GUID070EA30	P1244902F
10123527	LIMIT-RESET MAN (ROLLOUT) (M6, M12)		
10123538	LIMIT-RESET MAN (ROLLOUT) (M2, M3, M4, M5, M8, M9, M10, M11)		
10123528	LIMIT-RESET MAN (ROLLOUT) (M1, M7, M13)		
20046615	MOTOR-BLOW 1/2 HP (M3, M9)		
20046614	MOTOR-BLOW 1/3 HP (M1, M2, M4, M7, M8, M10, M13)		
20046617	MOTOR-BLOW 3/4 HP (M5, M11)		
20046620	MOTOR-BLOW 3/4 HP (M6, M12)		
10716003	ORIFICE (QTY AR)		
10690401	SWITCH-INTERLOCK (M1, M2, M3, M4, M5, M6, M13)		
10690402	SWITCH-INTERLOCK (M7, M8, M9, M10, M11, M12)		
10727922	SWITCH-PRESSURE (M1, M13)		
10727923	SWITCH-PRESSURE (M8, M9, M10, M11, M12)		
10727921	SWITCH-PRESSURE (M2, M3, M4, M5, M6, M7)		
C6349703	TRANSFORMER		
C6476910	VALVE-GAS		
D6723310	WHEEL-BLOWER (M1, M2, M3, M7, M8, M9, M13)		
D6723306	WHEEL-BLOWER (M6, M12)		
D6723303	WHEEL-BLOWER (M4, M5, M10, M11)		

SPECIAL PARTS

10758011	CERT-WARRANTY (M1, M2, M3, M4, M5, M6, M13)
10758012	CERT-WARRANTY (M7, M8, M9, M10, M11, M12)
10759828	INSTRUC-INSTALL
RP6623001	MANUAL-PARTS
RS6600001	MANUAL-SERVICE
RT6621007	MANUAL-TECHNICAL

Front Panels



Front Panels

Ref Part No:	Description:	Ref. Part No: No:	Description:
-----------------	--------------	----------------------	--------------

Image 1:

171	M0204317	SCREW-MACH (QTY 4)
181	M0273904	RETAINER-SCREW (QTY 4)
191	20177408	DOOR-ACCESS (M1, M2, M3, M7, M8, M9, M13)
191	20177409	DOOR-ACCESS (M4, M5, M10, M11)
191	20177410	DOOR-ACCESS (M6, M12)
201	20177304	DOOR-BLWR (M1, M2, M3, M7, M8, M9, M13)
201	20177305	DOOR-BLWR (M4, M5, M10, M11)
201	20177306	DOOR-BLWR (M6, M12)
211	10736201	COVER-HV BOX
231	M0216529	SCREW-SM (QTY AR)
281	11104001	SNAP-BUSHING CLR
321	91000301	NUT-U SPEED (QTY 4)
351	10861101	BRKT-AUX LIMIT
361	10123519	LIMIT-RESET MAN (AUXILIARY)
9991	20275302	NAMEPLATE-AMANA

Expanded Model Nomenclature

M1 - GUID045EA30	P1234201F
M2 - GUID070EA30	P1234202F
M3 - GUID070EA40	P1234203F
M4 - GUID090EA30	P1234204F
M5 - GUID090EA50	P1234205F
M6 - GUID115EA50	P1234207F
M7 - GUID045EX30	P1234301F
M8 - GUID070EX30	P1234302F
M9 - GUID070EX40	P1234303F
M10 - GUID090EX30	P1234304F
M11 - GUID090EX50	P1234305F
M12 - GUID115EX50	P1234307F
M13 - GUID070EA30	P1244902F

Partition Tube/Collector Box/Manifold

Image 1

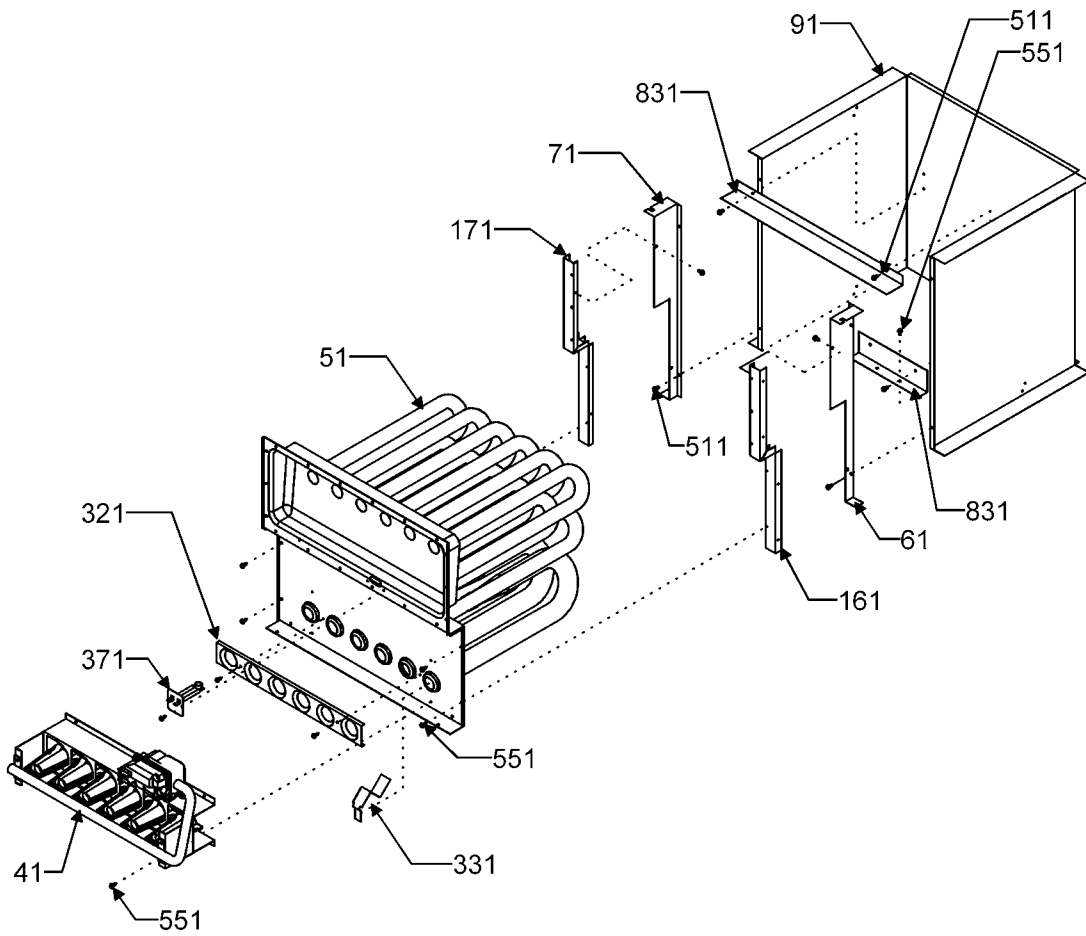
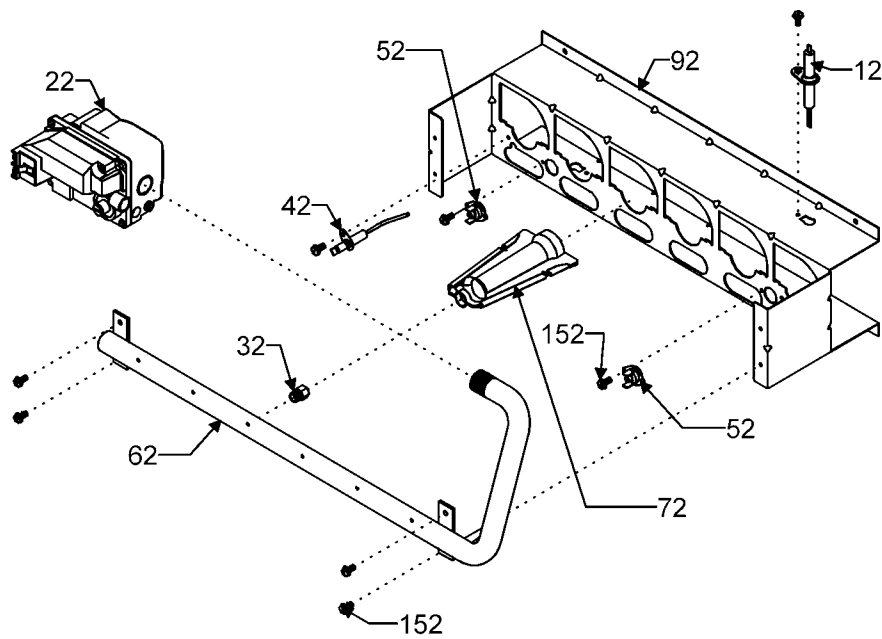


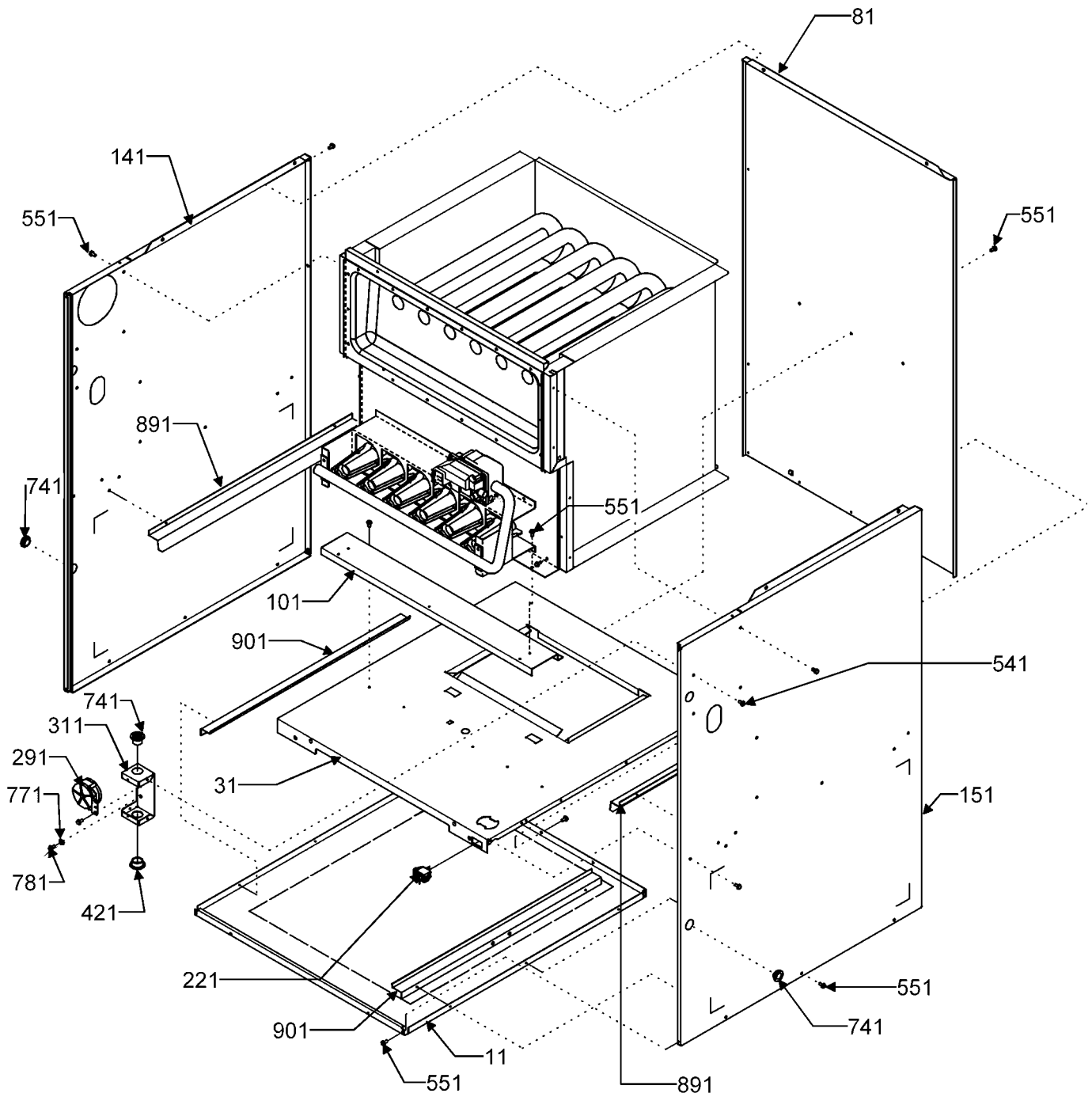
Image 2



Partition Tube/Collector Box/Manifold

Ref Part No:	Description:	Ref. Part No:	Description:
<i>Image 1:</i>		152 M0219916	SCREW-SM (QTY AR)
51 11113120	PART/TUBE ASSY 2B (M1, M7, M13)	Expanded Model Nomenclature	
51 11113121	PART/TUBE ASSY 3B (M2, M3, M8, M9)	M1 - GUID045EA30	P1234201F
51 11113122	PART/TUBE ASSY 4B (M4, M5, M10, M11)	M2 - GUID070EA30	P1234202F
51 11113123	PART/TUBE ASSY 5B (M6, M12)	M3 - GUID070EA40	P1234203F
61 10728601	BRACKET-LINER	M4 - GUID090EA30	P1234204F
71 10728602	BRACKET-LINER	M5 - GUID090EA50	P1234205F
91 10728707	LINER-CABINET (M1, M7, M13)	M6 - GUID115EA50	P1234207F
91 10728708	LINER-CABINET (M2, M3, M8, M9)	M7 - GUID045EX30	P1234301F
91 10728709	LINER-CABINET (M4, M5, M10, M11)	M8 - GUID070EX30	P1234302F
91 10728710	LINER-CABINET (M6, M12)	M9 - GUID070EX40	P1234303F
161 10728503	RAIL-PART PANEL	M10 - GUID090EX30	P1234304F
171 10728504	RAIL-PART PANEL	M11 - GUID090EX50	P1234305F
321 11072201	SHIELD-ORIFICE (M1, M7, M13)	M12 - GUID115EX50	P1234307F
321 11072202	SHIELD-ORIFICE (M2, M3, M8, M9)	M13 - GUID070EA30	P1244902F
321 11072203	SHIELD-ORIFICE (M4, M5, M10, M11)		
321 11072204	SHIELD-ORIFICE (M6, M12)		
331 10624002	INSERT-MESH TUBE (M7, M8, M9, M10, M11, M12)		
371 10728325	LIMIT (PRIMARY) (M4, M5)		
371 10728330	LIMIT (PRIMARY) (M1, M7, M10, M11, M13)		
371 10728331	LIMIT (PRIMARY) (M6)		
371 10728339	LIMIT (PRIMARY) (M2, M3, M8, M9, M12)		
511 M0219918	SCREW-SM (M1, M2, M3, M4, M5, M6, M7, M8, M9, M10, M11, M12)		
551 M0219916	SCREW-SM (QTY AR)		
831 11008302	BAFFLE-LINER (M2, M3, M8, M9)		
831 11008303	BAFFLE-LINER (M4, M5, M10, M11)		
831 11008304	BAFFLE-LINER (M6, M12)		
831 11008306	BAFFLE-LINER (M1, M7, M13)		
<i>Image 2:</i>			
12 20165702	IGNITOR (M1, M2, M3, M4, M5, M6, M13)		
12 20165703	IGNITOR (M7, M8, M9, M10, M11)		
22 C6476910	VALVE-GAS		
32 10716003	ORIFICE (QTY AR)		
42 10735201	FLAME-SENSOR		
52 10123527	LIMIT-RESET MAN (ROLLOUT) (M6, M12)		
52 10123528	LIMIT-RESET MAN (ROLLOUT) (M1, M7, M13)		
52 10123538	LIMIT-RESET MAN (ROLLOUT) (M2, M3, M4, M5, M8, M9, M10, M11)		
62 20301801	MANIFOLD (M1, M7, M13)		
62 20301802	MANIFOLD (M2, M3, M8, M9)		
62 20301803	MANIFOLD (M4, M5, M10, M11)		
62 20301804	MANIFOLD (M6, M12)		
72 10735102	BECKETT BURNER (QTY AR)		
92 20190405	BRKT-BURNER (M1, M7, M13)		
92 20190407	BRKT-BURNER (M2, M3, M8, M9)		
92 20190408	BRKT-BURNER (M4, M5, M10, M11)		
92 20190409	BRKT-BURNER (M6, M12)		

Outer Cabinet



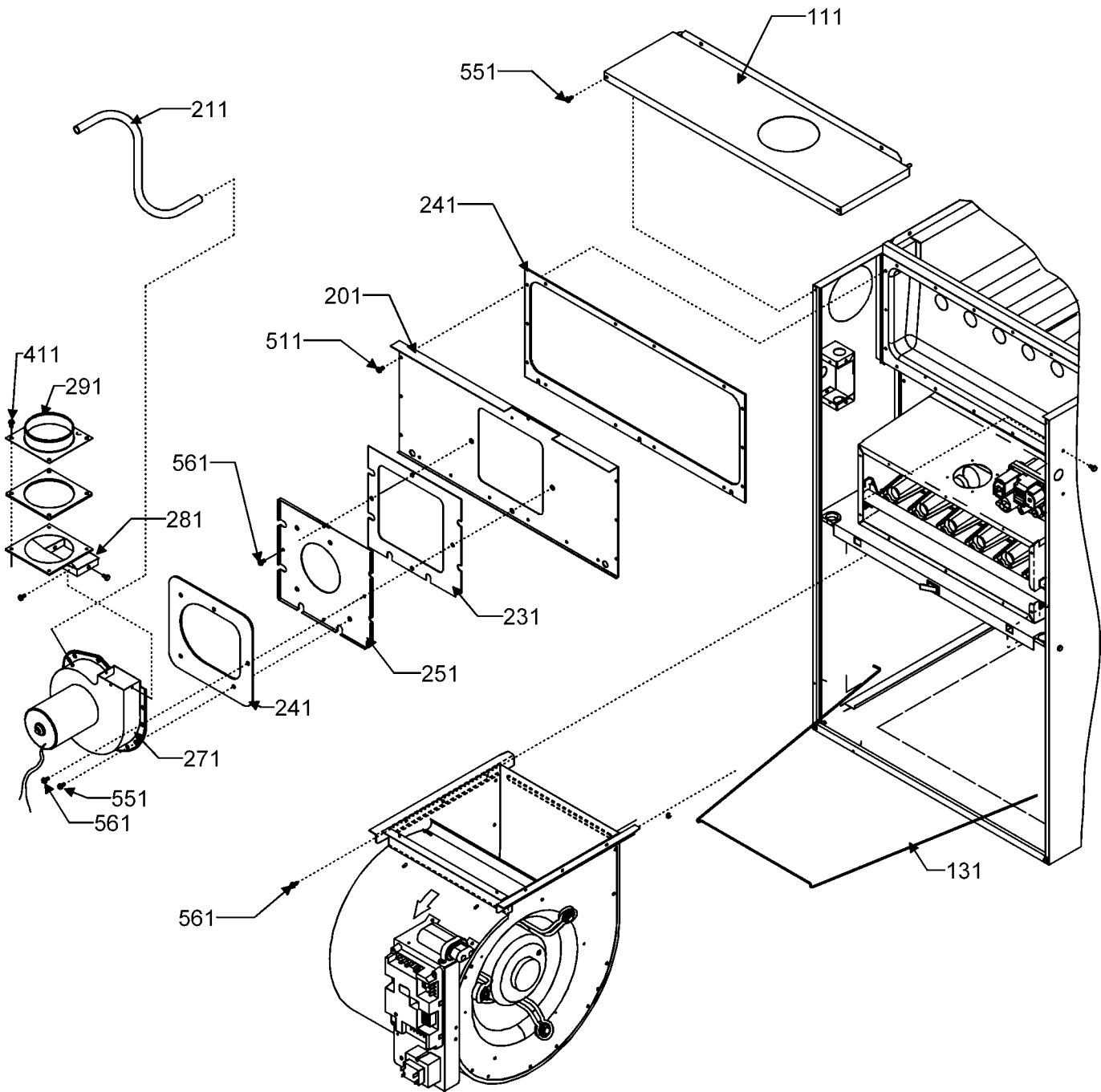
Outer Cabinet

Ref Part No:	Description:	Ref. Part No:	Description:
<i>Image 1:</i>			
11 20273401	BASEPAN-UPFLOW (M1, M2, M3, M7, M8, M9, M13)		
11 20273404	BASEPAN-UPFLOW (M4, M5, M10, M11)		
11 20273405	BASEPAN-UPFLOW (M6, M12)		
31 20190219	DECK-BLWR (M1, M2, M3, M7, M8, M9, M13)		
31 20190220	DECK-BLWR (M4, M5, M10, M11)		
31 20190221	DECK-BLWR (M6, M12)		
81 20273201	PANEL-BACK (M1, M2, M3, M7, M8, M9, M13)		
81 20273202	PANEL-BACK (M4, M5, M10, M11)		
81 20273203	PANEL-BACK (M6, M12)		
101 20301901	SUPPORT-PART PNL (M1, M2, M3, M7, M8, M9, M13)		
101 20301902	SUPPORT-PART PNL (M4, M5, M10, M11)		
101 20301903	SUPPORT-PART PNL (M6, M12)		
121 10690301	ANGLE-FILTER (QTY 2)		
141 10727120	PANEL-SIDE LH		
151 10727020	PANEL-SIDE RH		
221 10690401	SWITCH-INTERLOCK (M1, M2, M3, M4, M5, M6, M13)		
221 10690402	SWITCH-INTERLOCK (M7, M8, M9, M10, M11, M12)		
291 10727921	SWITCH-PRESSURE (M2, M3, M4, M5, M6, M7)		
291 10727922	SWITCH-PRESSURE (M1, M13)		
291 10727923	SWITCH-PRESSURE (M8, M9, M10, M11, M12)		
311 10736102	BOX-HIGH VOLTAGE		
421 A4554801	BUSHING-SNAP		
541 M0216716	SCREW-SM (QTY AR)		
551 M0219916	SCREW-SM (QTY AR)		
741 M0571002	BUSHING-SNAP (QTY AR)		
771 M0270001	WASHER-CUP		
781 M0227803	SCREW-TC		
891 10690301	ANGLE-FILTER FUR (QTY 2)		
901 20242801	RAIL-FILTER (QTY 2)		

Expanded Model Nomenclature

M1 - GUID045EA30	P1234201F
M2 - GUID070EA30	P1234202F
M3 - GUID070EA40	P1234203F
M4 - GUID090EA30	P1234204F
M5 - GUID090EA50	P1234205F
M6 - GUID115EA50	P1234207F
M7 - GUID045EX30	P1234301F
M8 - GUID070EX30	P1234302F
M9 - GUID070EX40	P1234303F
M10 - GUID090EX30	P1234304F
M11 - GUID090EX50	P1234305F
M12 - GUID115EX50	P1234307F
M13 - GUID070EA30	P1244902F

Vent Systems/Controls



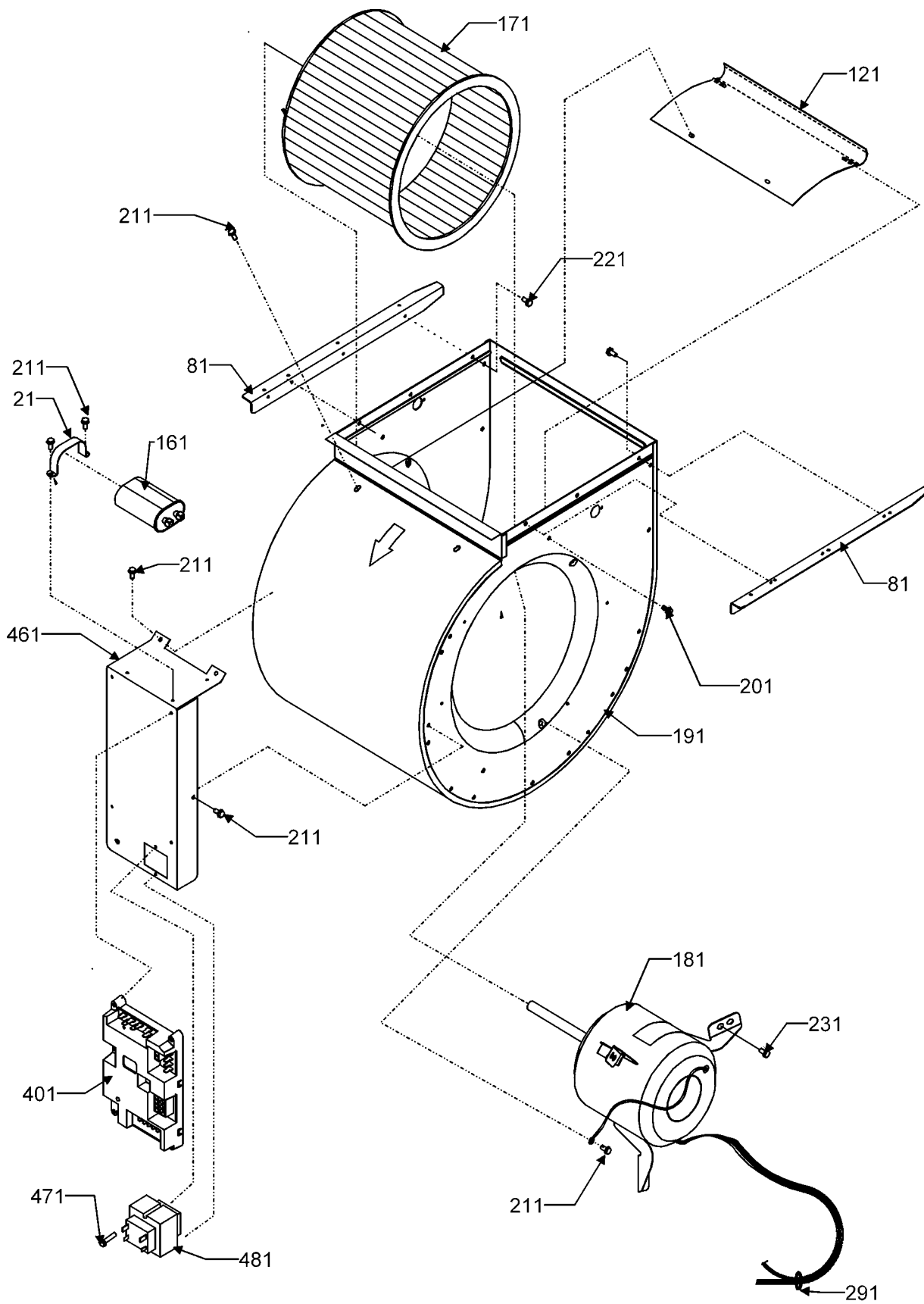
Vent Systems/Controls

Ref Part No:	Description:	Ref. Part No:	Description:
<i>Image 1:</i>			
111 20273307	COVER-FLUE (M1, M2, M3, M7, M8, M9, M13)		
111 20273308	COVER-FLUE (M4, M5, M10, M11)		
111 20273309	COVER-FLUE (M6, M12)		
131 20178501	RETAINER-FILTER		
201 10764404	PLATE-PARTITION (M1, M2, M3, M7, M8, M9, M13)		
201 10764405	PLATE-PARTITION (M4, M5, M10, M11)		
201 10764406	PLATE-PARTITION (M6, M12)		
211 B1410302	HOSE-PRESSURE SW (M6)		
211 B1410303	HOSE-PRESSURE SW (M1, M2, M3, M7, M8, M9, M13)		
211 B1410304	HOSE-PRESSURE SW (M10, M11)		
211 B1410305	HOSE-PRESSURE SW (M12)		
211 B1410312	HOSE-PRESSURE SW (M4, M5)		
231 10764601	GASKET-ROTATE PLT		
241 11142201	GASKET-COLL/ID (M1, M2, M3, M7, M8, M9, M13)		
241 11142202	GASKET-COLL/ID (M4, M5, M10, M11)		
241 11142203	GASKET-COLL/ID (M6, M12)		
251 10764301	PLATE-ROTATING (M1, M7, M13)		
251 10764311	PLATE-ROTATING (M2, M3, M8, M9)		
251 10764312	PLATE-ROTATING (M6, M12)		
251 10764314	PLATE-ROTATING (M4, M5, M10, M11)		
271 20044402	BLOWER ID		
281 11072301	TRAN-ID BLOW (M1, M2, M3, M4, M5, M6, M13)		
281 11072302	TRAN-ID BLOW (M7, M8, M9, M10, M11, M12)		
331 11009701	TOP-TRAN PLATE		
411 M0253516	SCREW-TR (QTY AR)		
511 M0219918	SCREW-SM (M7, M8, M9, M10, M11, M12)		
551 M0219916	SCREW-SM (QTY AR)		
561 M0224303	SCREW-SM (M1, M2, M3, M4, M5, M6)		
561 M0219918	SCREW-SM #8-5/8 (M7, M8, M9, M10, M11)		

Expanded Model Nomenclature

M1 - GUID045EA30	P1234201F
M2 - GUID070EA30	P1234202F
M3 - GUID070EA40	P1234203F
M4 - GUID090EA30	P1234204F
M5 - GUID090EA50	P1234205F
M6 - GUID115EA50	P1234207F
M7 - GUID045EX30	P1234301F
M8 - GUID070EX30	P1234302F
M9 - GUID070EX40	P1234303F
M10 - GUID090EX30	P1234304F
M11 - GUID090EX50	P1234305F
M12 - GUID115EX50	P1234307F
M13 - GUID070EA30	P1244902F

Blower



Blower

Ref Part No:	Description:	Ref. Part No:	Description:
<i>Image 1:</i>			
21 A3410501	STRAP-CAPACITOR (M5, M6, M11, M12)		
21 A4055402	STRAP-CAPACITOR (M1, M2, M3, M4, M7, M8, M9, M10, M13)		
81 20175101	RAIL-BLWR SIDE (QTY 2)		
121 C6121803	CUTOFF (M1, M2, M3, M7, M8, M9, M13)		
121 C6121806	CUTOFF (M4, M5, M10, M11)		
121 C6121807	CUTOFF (M6, M12)		
161 D6879740	CAPACITOR (M5, M6, M11, M12)		
161 D6879752	CAPACITOR (M1, M2, M4, M7, M8, M10, M13)		
161 D6879756	CAPACITOR (M3, M9)		
171 D6723303	WHEEL-BLOWER (M4, M5, M10, M11)		
171 D6723306	WHEEL-BLOWER (M6, M12)		
171 D6723310	WHEEL-BLOWER (M1, M2, M3, M7, M8, M9, M13)		
181 20046615	MOTOR-BLOW 1/2 HP (M3, M9)		
181 20046614	MOTOR-BLOW 1/3 HP (M1, M2, M4, M7, M8, M10, M13)		
181 20046617	MOTOR-BLOW 3/4 HP (M5, M11)		
181 20046620	MOTOR-BLOW 3/4 HP (M6, M12)		
191 11185813	HSG WELD-BLWR (M1, M2, M3, M7, M8, M9, M13)		
191 11185814	HSG WELD-BLWR (M4, M5, M10, M11)		
191 11185815	HSG WELD-BLWR (M6, M12)		
201 M0211020	SCREW-SM #8-7/8 (M4, M5, M12, M13)		
211 M0219916	SCREW-SM (QTY 8)		
221 M0253516	SCREW-TR (QTY AR)		
231 M0250558	SCREW-TC (QTY 3)		
291 M0321202	TIE-ELEC LG		
401 10207715	CONTROL-INTEG (M1, M2, M3, M4, M5, M6, M7, M8, M9, M10, M11, M12)		
401 20394001	CONTROL-INTEG (M13)		
461 10746205	BRKT-CONTROL		
471 M0216536	SCREW-SM (QTY 2)		
481 C6349703	TRANSFORMER		

Expanded Model Nomenclature

M1 - GUID045EA30	P1234201F
M2 - GUID070EA30	P1234202F
M3 - GUID070EA40	P1234203F
M4 - GUID090EA30	P1234204F
M5 - GUID090EA50	P1234205F
M6 - GUID115EA50	P1234207F
M7 - GUID045EX30	P1234301F
M8 - GUID070EX30	P1234302F
M9 - GUID070EX40	P1234303F
M10 - GUID090EX30	P1234304F
M11 - GUID090EX50	P1234305F
M12 - GUID115EX50	P1234307F
M13 - GUID070EA30	P1244902F