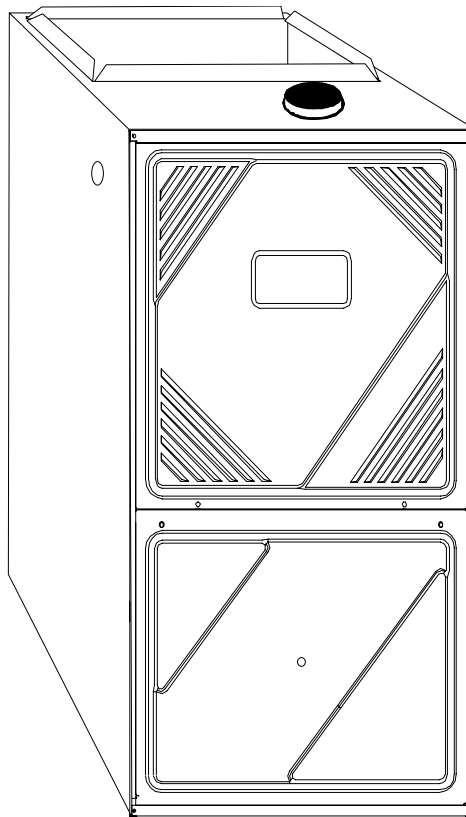


GUIC*EA and EX models

GUIC045EA30	P1234001F
GUIC045EX30	P1234101F
GUIC070EA30	P1234002F
GUIC070EA40	P1234003F
GUIC070EX30	P1234102F
GUIC070EX40	P1234103F
GUIC090EA30	P1234004F
GUIC090EA50	P1234005F
GUIC090EX30	P1234104F
GUIC090EX50	P1234105F
GUIC115EA40	P1234006F
GUIC115EA50	P1234007F
GUIC115EX40	P1234106F
GUIC115EX50	P1234107F
GUIC140EA50	P1234008F
GUIC140EX50	P1234108F



Important Information

Index

Functional Parts List	3
Illustration and Parts	4 - 13

Views shown are for parts illustrations only, not servicing procedures

Revision 1 Updates part numbers for Left and Right Hand side panels.

Text Codes:

AR - As Required

NA - Not Available

NS - Not Shown

00000000 - See Note

QTY - Quantity Example (QTY 3) (If Quantity not shown, Quantity = 1)

M - Model Example (M1) (If M Code not shown, then part is used on all Models)

Expanded Model Nomenclature:

Example
M1 - Model#1
M2 - Model#2
M3 - Model#3

Goodman Company, L.P. is not responsible for personal injury or property damage resulting from improper service. Review all service information before beginning repairs.

Warranty service must be performed by an authorized technician, using authorized factory parts. If service is required after the warranty expires, Goodman Company, L.P. also recommends contacting an authorized technician and using authorized factory parts.

Goodman Company, L.P. reserves the right to discontinue, or change at any time, specifications or designs without notice or without incurring obligations. Goodman® brand products are made proudly in the USA.

For assistance within the U.S.A. contact:

Consumer Affairs Department
Goodman Company, L.P.
7401 Security Way
Houston, Texas 77040
877-254-4729-Telephone
713-863-2382-Facsimile

For assistance outside the U.S.A. contact:

International Division
Goodman Company, L.P.
7401 Security Way
Houston, Texas 77040
713-861-2500-Telephone
713-863-2382-Facsimile

Functional Parts

Part No: **Description:**

10735102 BECKETT BURNER (QTY AR)
 20301506 BLOWER ASSY 10X10 (M6, M14)
 20301507 BLOWER ASSY 10X10 (M7, M15)
 20301508 BLOWER ASSY 10X10 (M8, M16)
 20301502 BLOWER ASSY 10X7 (M1, M2, M9, M10)
 20301503 BLOWER ASSY 10X7 (M3, M11)
 20301504 BLOWER ASSY 10X9 (M4, M12)
 20301505 BLOWER ASSY 10X9 (M5, M13)
 20044402 BLOWER ID
 D6879752 CAPACITOR (M1, M2, M4, M9, M10, M12)
 D6879756 CAPACITOR (M3, M11)
 D6879747 CAPACITOR (M6, M14)
 D6879740 CAPACITOR (M5, M7, M8, M13, M15, M16)
 10207714 CONTROL-INTEG
 10735201 FLAME-SENSOR
 20302201 HARNESS-WIRING
 20165702 IGNITOR
 10728331 LIMIT (PRIMARY) (M6, M7, M14, M15)
 10728330 LIMIT (PRIMARY) (M1, M9)
 10728339 LIMIT (PRIMARY) (M2, M3, M10, M11)
 10728325 LIMIT (PRIMARY) (M4, M5, M12, M13)
 10728324 LIMIT (PRIMARY) (M8, M16)
 10123519 LIMIT-RESET MAN (AUXILIARY)
 10123538 LIMIT-RESET MAN (ROLLOUT) (M2, M3, M4, M5, M10, M11, M12, M13)
 10123527 LIMIT-RESET MAN (ROLLOUT) (M6, M7, M14, M15)
 10123528 LIMIT-RESET MAN (ROLLOUT) (M1, M8, M9, M16)
 20046615 MOTOR-BLOW 1/2 HP (M3, M11)
 20046614 MOTOR-BLOW 1/3 HP (M1, M2, M4, M9, M10, M12)
 20046620 MOTOR-BLOW 3/4 HP (M7, M15)
 20046617 MOTOR-BLOW 3/4 HP (M5, M13)
 20046618 MOTOR-BLOW 3/4 HP (M8, M16)
 20046619 MOTOR-BLOWER 1/2 HP (M6, M14)
 10716003 ORIFICE (QTY AR)
 10690401 SWITCH-INTERLOCK
 10727922 SWITCH-PRESSURE (M1, M9)
 10727921 SWITCH-PRESSURE (M2, M3, M4, M5, M6, M7, M8, M10, M11, M12, M13, M14, M15, M16)
 C6349703 TRANSFORMER
 C6476910 VALVE-GAS
 D6723306 WHEEL-BLOWER (M6, M7, M8, M14, M15, M16)
 D6723310 WHEEL-BLOWER (M1, M2, M3, M9, M10, M11)
 D6723303 WHEEL-BLOWER (M4, M5, M12, M13)

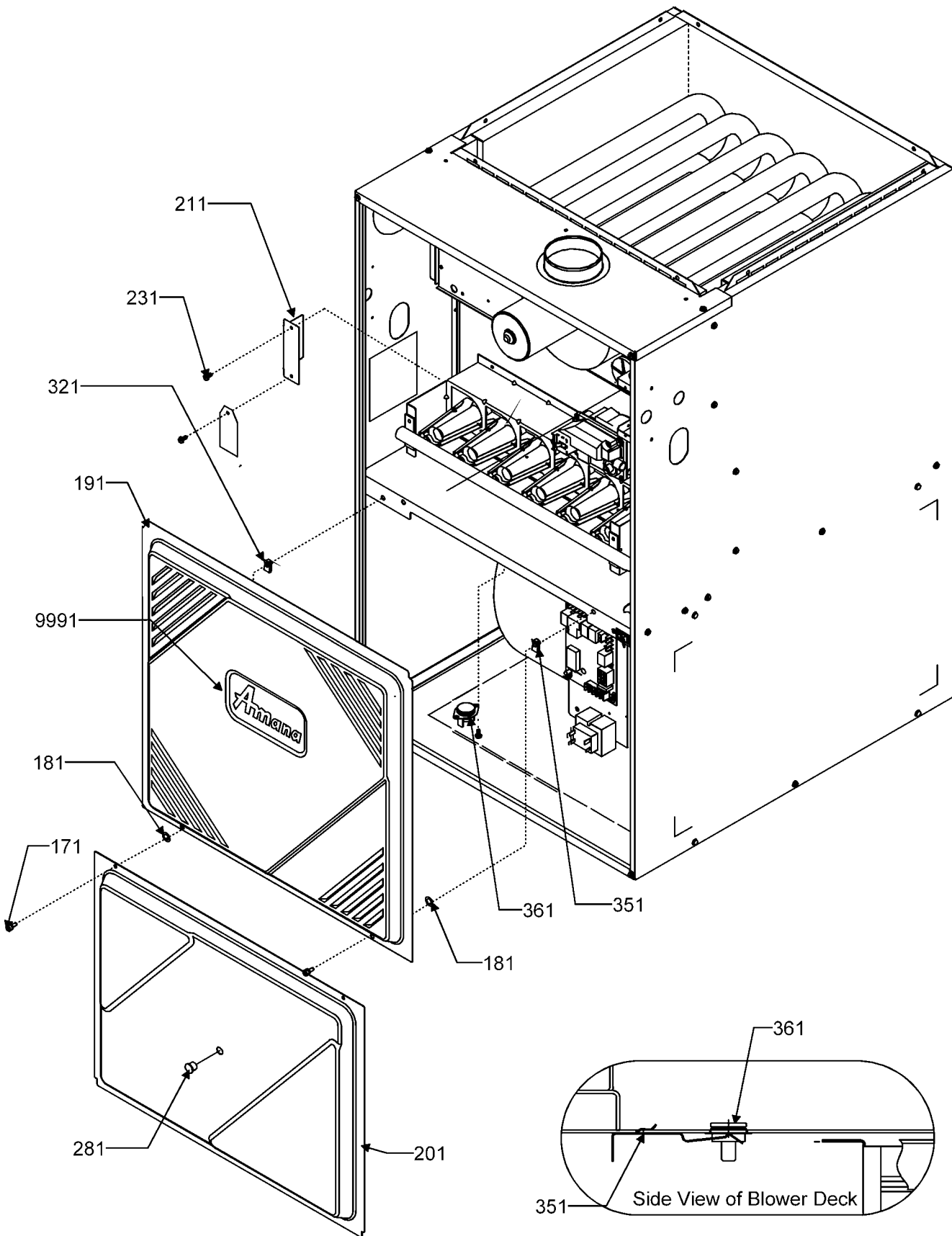
SPECIAL PARTS

10758009 CERT-WARRANTY
 10759828 INSTRUC-INSTALL
 RP6620038 MANUAL-PARTS
 RS6600001 MANUAL-SERVICE
 RT6621006 MANUAL-TECHNICAL
 10759621 MANUAL-USERS

Expanded Model Nomenclature

M1 - GUIC045EA30	P1234001F
M2 - GUIC070EA30	P1234002F
M3 - GUIC070EA40	P1234003F
M4 - GUIC090EA30	P1234004F
M5 - GUIC090EA50	P1234005F
M6 - GUIC115EA40	P1234006F
M7 - GUIC115EA50	P1234007F
M8 - GUIC140EA50	P1234008F
M9 - GUIC045EX30	P1234101F
M10 - GUIC070EX30	P1234102F
M11 - GUIC070EX40	P1234103F
M12 - GUIC090EX30	P1234104F
M13 - GUIC090EX50	P1234105F
M14 - GUIC115EX40	P1234106F
M15 - GUIC115EX50	P1234107F
M16 - GUIC140EX50	P1234108F

Front Panels



Front Panels

Ref Part No:	Description:	Ref. Part No:	Description:
--------------	--------------	---------------	--------------

Image 1:

171	M0204317	SCREW-MACH (QTY 4)
181	M0273904	RETAINER-SCREW (QTY 4)
191	20177408	DOOR-ACCESS (M1, M2, M3, M9, M10, M11)
191	20177409	DOOR-ACCESS (M4, M5, M12, M13)
191	20177410	DOOR-ACCESS (M6, M7, M8, M14, M15, M16)
201	20177304	DOOR-BLWR (M1, M2, M3, M9, M10, M11)
201	20177305	DOOR-BLWR (M4, M5, M12, M13)
201	20177306	DOOR-BLWR (M6, M7, M8, M14, M15, M16)
211	10736201	COVER-HV BOX
231	M0216529	SCREW-SM (QTY AR)
281	11104001	SNAP-BUSHING CLR
321	91000301	NUT-U SPEED (QTY 4)
351	10861101	BRKT-AUX LIMIT
361	10123519	LIMIT-RESET MAN (AUXILIARY)
9991	20213209	NAMEPLATE-AMANA

Expanded Model Nomenclature

M1 - GUIC045EA30	P1234001F
M2 - GUIC070EA30	P1234002F
M3 - GUIC070EA40	P1234003F
M4 - GUIC090EA30	P1234004F
M5 - GUIC090EA50	P1234005F
M6 - GUIC115EA40	P1234006F
M7 - GUIC115EA50	P1234007F
M8 - GUIC140EA50	P1234008F
M9 - GUIC045EX30	P1234101F
M10 - GUIC070EX30	P1234102F
M11 - GUIC070EX40	P1234103F
M12 - GUIC090EX30	P1234104F
M13 - GUIC090EX50	P1234105F
M14 - GUIC115EX40	P1234106F
M15 - GUIC115EX50	P1234107F
M16 - GUIC140EX50	P1234108F

Partition Tube/Collector Box/Manifold

Image 1

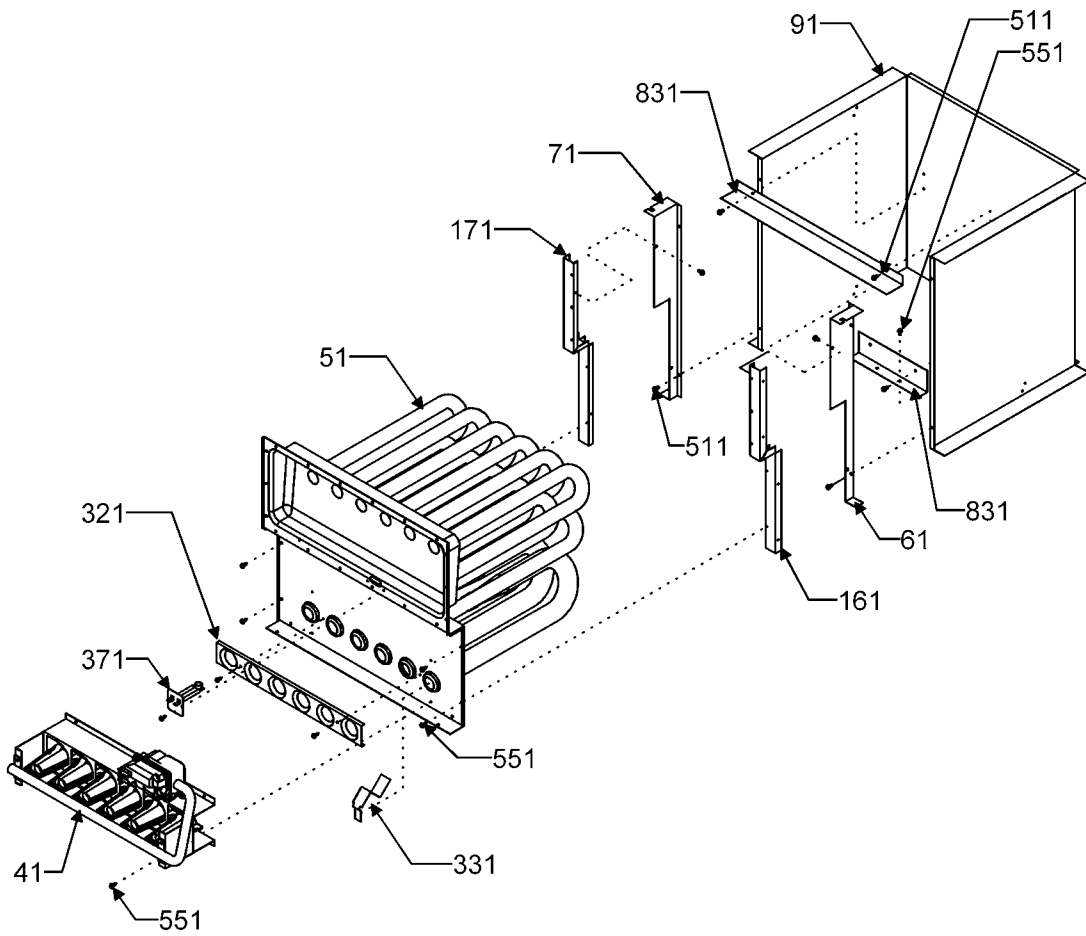
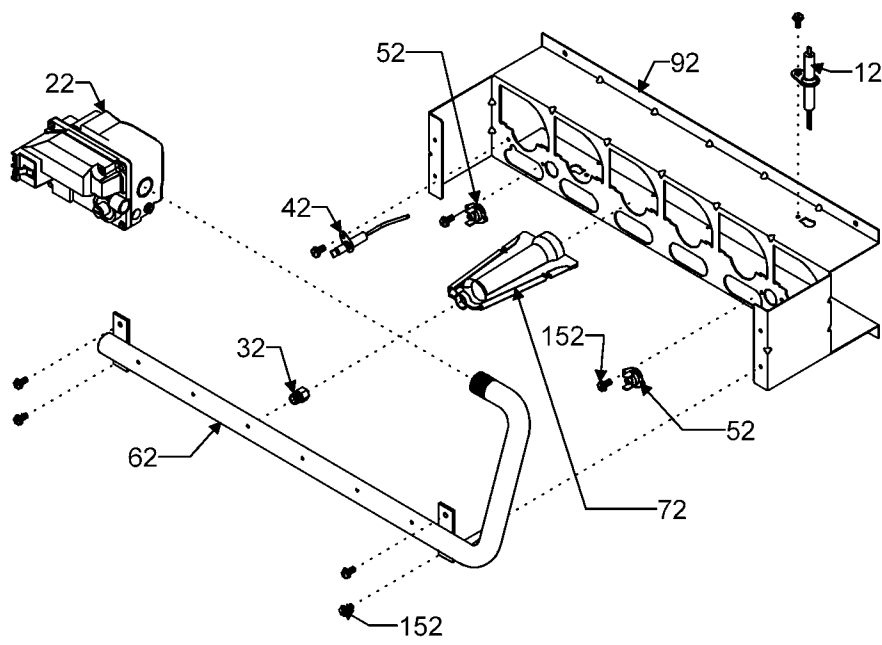


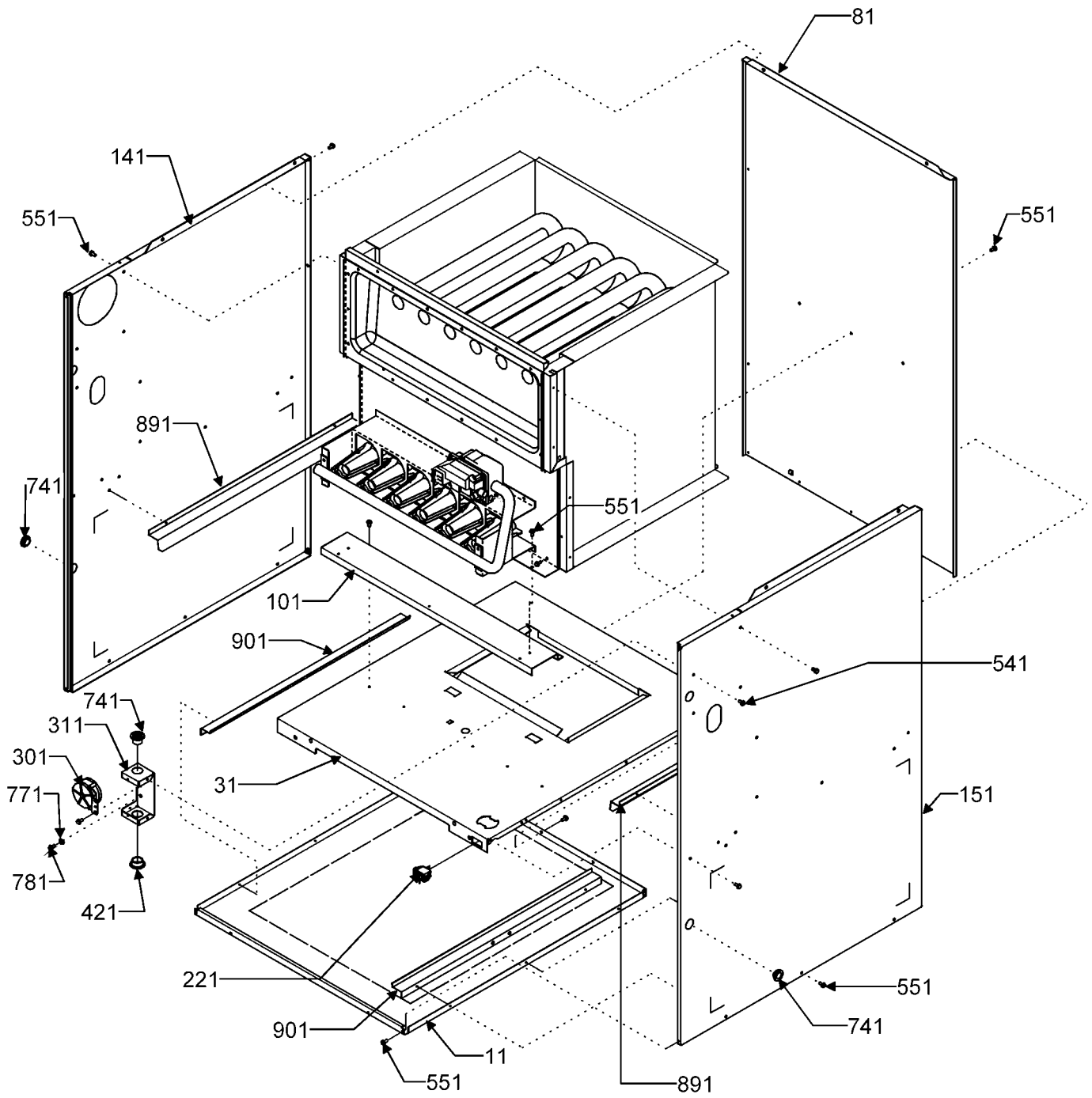
Image 2



Partition Tube/Collector Box/Manifold

Ref Part No:	Description:	Ref. Part No:	Description:
<i>Image 1:</i>		72	10735102 BECKETT BURNER (QTY AR)
51	11094123 PTN/TUBE ASSY 2B (M1, M9)	92	20190405 BRKT-BURNER 2B (M1, M9)
51	11094124 PTN/TUBE ASSY 3B (M2, M3, M10, M11)	92	20190407 BRKT-BURNER 3B (M2, M3, M10, M11)
51	11094125 PTN/TUBE ASSY 4B (M4, M5, M12, M13)	92	20190408 BRKT-BURNER 4B (M4, M5, M12, M13)
51	11094126 PTN/TUBE ASSY 5B (M6, M7, M14, M15)	92	20190409 BRKT-BURNER 5B (M6, M7, M14, M15)
51	11094127 PTN/TUBE ASSY 6B (M8, M16)	92	20190406 BRKT-BURNER 6B (M8, M16)
61	10728601 BRACKET-LINER	152	M0219916 SCREW-SM (QTY AR)
71	10728602 BRACKET-LINER	Expanded Model Nomenclature	
91	10728707 LINER-CABINET (M1, M9)	M1 - GUIC045EA30	P1234001F
91	10728708 LINER-CABINET (M2, M3, M10, M11)	M2 - GUIC070EA30	P1234002F
91	10728709 LINER-CABINET (M4, M5, M12, M13)	M3 - GUIC070EA40	P1234003F
91	10728710 LINER-CABINET (M6, M7, M14, M15)	M4 - GUIC090EA30	P1234004F
91	10728711 LINER-CABINET (M8, M16)	M5 - GUIC090EA50	P1234005F
161	10728503 RAIL-PART PANEL	M6 - GUIC115EA40	P1234006F
171	10728504 RAIL-PART PANEL	M7 - GUIC115EA50	P1234007F
321	11072201 SHIELD-ORIFICE (M1, M9)	M8 - GUIC140EA50	P1234008F
321	11072202 SHIELD-ORIFICE (M2, M3, M10, M11)	M9 - GUIC045EX30	P1234101F
321	11072203 SHIELD-ORIFICE (M4, M5, M12, M13)	M10 - GUIC070EX30	P1234102F
321	11072204 SHIELD-ORIFICE (M6, M7, M14, M15)	M11 - GUIC070EX40	P1234103F
321	11072205 SHIELD-ORIFICE (M8, M16)	M12 - GUIC090EX30	P1234104F
331	10624003 INSERT-MESH TUBE (M9, M10, M11, M12, M13, M14, M15, M16)	M13 - GUIC090EX50	P1234105F
371	10728324 LIMIT (PRIMARY) (M8, M16)	M14 - GUIC115EX40	P1234106F
371	10728325 LIMIT (PRIMARY) (M4, M5, M12, M13)	M15 - GUIC115EX50	P1234107F
371	10728330 LIMIT (PRIMARY) (M1, M9)	M16 - GUIC140EX50	P1234108F
371	10728331 LIMIT (PRIMARY) (M6, M7, M14, M15)		
371	10728339 LIMIT (PRIMARY) (M2, M3, M10, M11)		
511	M0224303 SCREW-SM (QTY AR)		
551	M0219916 SCREW-SM (QTY AR)		
831	11008302 BAFFLE-LINER (M2, M3, M10, M11)		
831	11008303 BAFFLE-LINER (M4, M5, M12, M13)		
831	11008304 BAFFLE-LINER (M6, M7, M14, M15)		
831	11008305 BAFFLE-LINER (M8, M16)		
831	11008306 BAFFLE-LINER (QTY AR)		
<i>Image 2:</i>			
12	20165702 IGNITOR		
22	C6476910 VALVE-GAS		
32	10716003 ORIFICE (QTY AR)		
42	10735201 FLAME-SENSOR		
52	10123527 LIMIT-RESET MAN (ROLLOUT) (M6, M7, M14, M15)		
52	10123528 LIMIT-RESET MAN (ROLLOUT) (M1, M8, M9, M16)		
52	10123538 LIMIT-RESET MAN (ROLLOUT) (M2, M3, M4, M5, M10, M11, M12, M13)		
62	20301801 MANIFOLD (M1, M9)		
62	20301802 MANIFOLD (M2, M3, M10, M11)		
62	20301803 MANIFOLD (M4, M5, M12, M13)		
62	20301804 MANIFOLD (M6, M7, M14, M15)		
62	20301805 MANIFOLD (M8, M16)		

Outer Cabinet



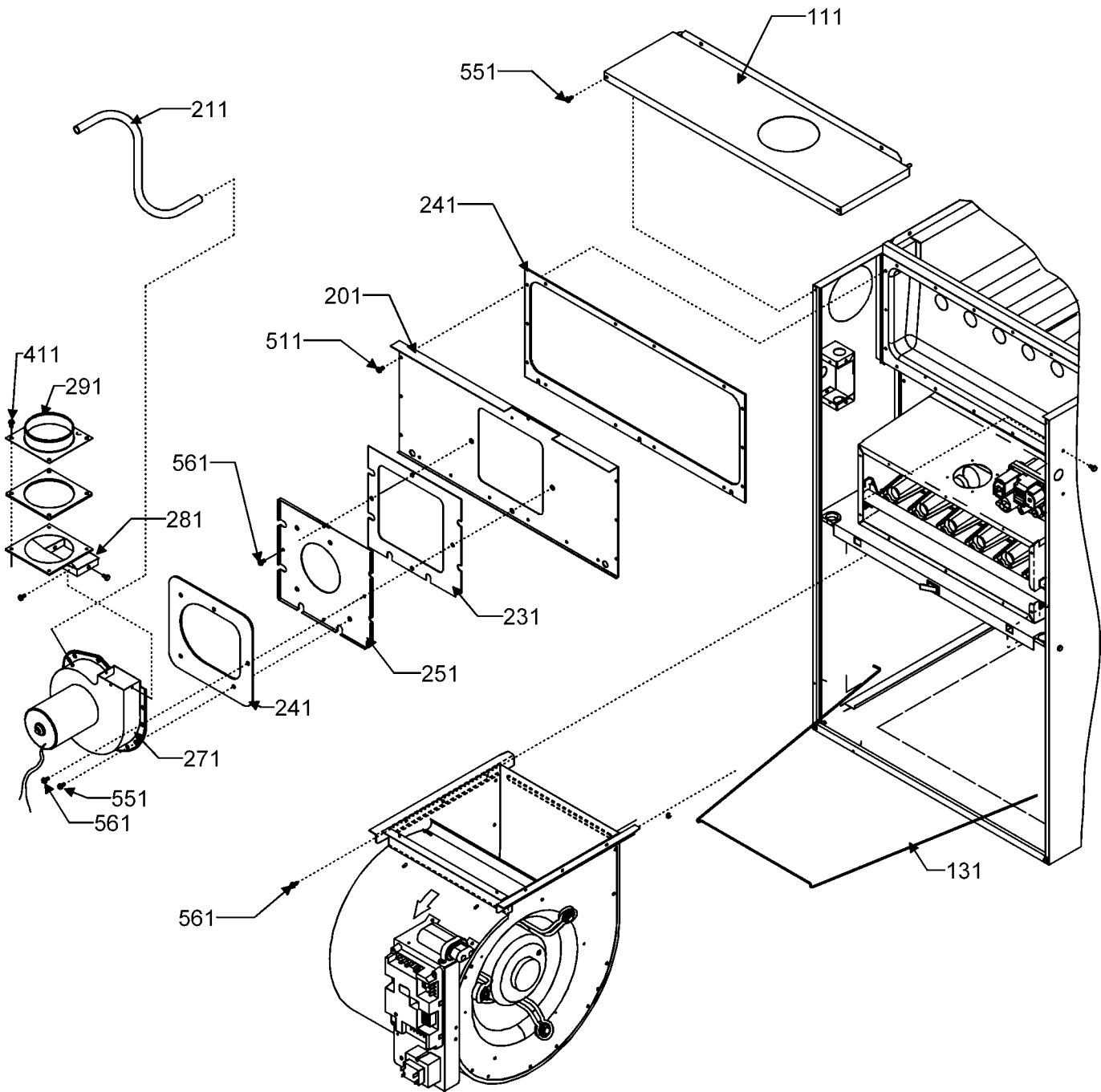
Outer Cabinet

Ref Part No:	Description:	Ref. Part No:	Description:
<i>Image 1:</i>			
11 20273401	BASEPAN-UPFLOW (M1, M2, M3, M9, M10, M11)		
11 20273404	BASEPAN-UPFLOW (M4, M5, M12, M13)		
11 20273405	BASEPAN-UPFLOW (M6, M7, M8, M14, M15, M16)		
31 20190219	DECK-BLWR (M1, M2, M3, M9, M10, M11)		
31 20190220	DECK-BLWR (M4, M5, M12, M13)		
31 20190221	DECK-BLWR (M6, M7, M8, M14, M15, M16)		
81 20273201	PANEL-BACK (M1, M2, M3, M9, M10, M11)		
81 20273202	PANEL-BACK (M4, M5, M12, M13)		
81 20273203	PANEL-BACK (M6, M7, M8, M14, M15, M16)		
101 20301901	SUPPORT-PART PNL (M1, M2, M3, M9, M10, M11)		
101 20301902	SUPPORT-PART PNL (M4, M5, M12, M13)		
101 20301903	SUPPORT-PART PNL (M6, M7, M8, M14, M15, M16)		
141 10727120	PANEL-SIDE L		
151 10727020	PANEL-SIDE RH		
221 10690401	SWITCH-INTERLOCK		
301 10727921	SWITCH-PRESSURE (M2, M3, M4, M5, M6, M7, M8, M10, M11, M12, M13, M14, M15, M16)		
301 10727922	SWITCH-PRESSURE (M1, M9)		
311 10736102	BOX-HIGH VOLT		
421 A4554801	BUSHING-SNAP		
541 M0216716	SCREW-SM (QTY 2)		
551 M0219916	SCREW-SM (QTY AR)		
741 M0571002	BUSHING-SNAP (QTY 2)		
771 M0270001	WASHER-CUP		
781 M0227803	SCREW-TC		
891 10690301	ANGLE-FILTER (QTY 2)		
901 20242801	RAIL-FILTER (QTY 2)		

Expanded Model Nomenclature

M1 - GUIC045EA30	P1234001F
M2 - GUIC070EA30	P1234002F
M3 - GUIC070EA40	P1234003F
M4 - GUIC090EA30	P1234004F
M5 - GUIC090EA50	P1234005F
M6 - GUIC115EA40	P1234006F
M7 - GUIC115EA50	P1234007F
M8 - GUIC140EA50	P1234008F
M9 - GUIC045EX30	P1234101F
M10 - GUIC070EX30	P1234102F
M11 - GUIC070EX40	P1234103F
M12 - GUIC090EX30	P1234104F
M13 - GUIC090EX50	P1234105F
M14 - GUIC115EX40	P1234106F
M15 - GUIC115EX50	P1234107F
M16 - GUIC140EX50	P1234108F

Vent Systems/Controls



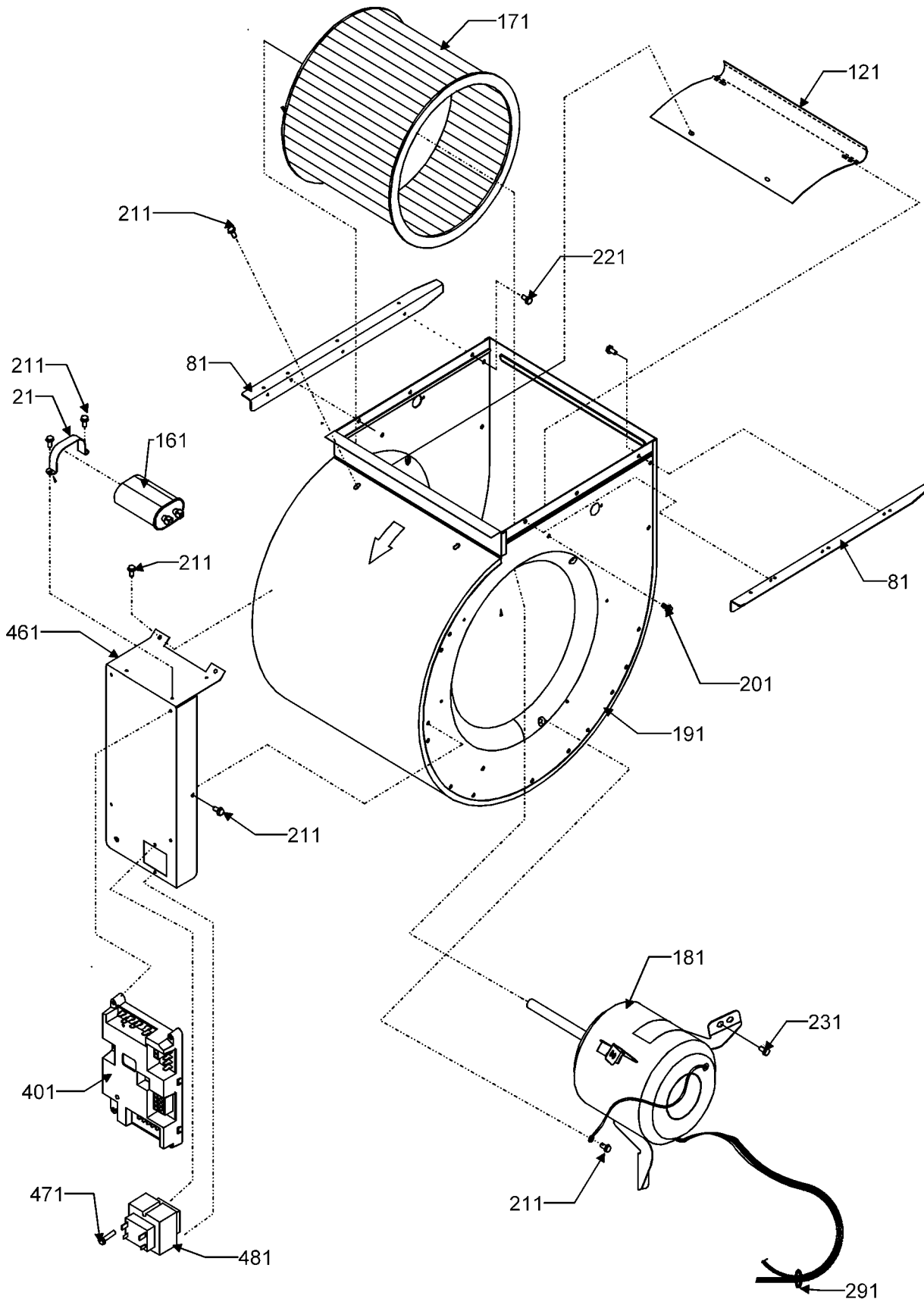
Vent Systems/Controls

Ref Part No:	Description:	Ref. Part No:	Description:
<i>Image 1:</i>			
111 20273307	COVER-FLUE (M1, M2, M3, M9, M10, M11)		
111 20273308	COVER-FLUE (M4, M5, M12, M13)		
111 20273309	COVER-FLUE (M6, M7, M8, M14, M15, M16)		
131 20178501	RETAINER-FILTER		
201 10764404	PLATE-PARTITION (M1, M2, M3, M9, M10, M11)		
201 10764405	PLATE-PARTITION (M4, M5, M12, M13)		
201 10764406	PLATE-PARTITION (M6, M7, M8, M14, M15, M16)		
211 B1410302	HOSE-PRESSURE SW (M6, M7, M8, M14, M15, M16)		
211 B1410303	HOSE-PRESSURE SW (M1, M2, M3, M9, M10, M11)		
211 B1410312	HOSE-PRESSURE SW (M4, M5, M12, M13)		
231 10764601	GASKET-ROTATE PLT		
241 11142201	GASKET-COLL/ID (M1, M2, M3, M9, M10, M11)		
241 11142202	GASKET-COLL/ID (M4, M5, M12, M13)		
241 11142203	GASKET-COLL/ID (M6, M7, M8, M14, M15, M16)		
251 10764301	PLATE-ROTATING (M1, M9)		
251 10764311	PLATE-ROTATING (M2, M3, M10, M11)		
251 10764312	PLATE-ROTATING (M6, M7, M14, M15)		
251 10764313	PLATE-ROTATING (M8, M16)		
251 10764314	PLATE-ROTATING (M4, M5, M12, M13)		
271 20044402	BLOWER ID		
281 11072302	TRAN-ID BLOW		
291 11009701	TOP-TRAN PLATE		
411 M0253516	SCREW-TR (QTY 4)		
511 M0224303	SCREW-SM (QTY AR)		
551 M0219916	SCREW-SM (QTY AR)		
561 M0219918	SCREW-SM #8-5/8 (QTY AR)		

Expanded Model Nomenclature

M1 - GUIC045EA30	P1234001F
M2 - GUIC070EA30	P1234002F
M3 - GUIC070EA40	P1234003F
M4 - GUIC090EA30	P1234004F
M5 - GUIC090EA50	P1234005F
M6 - GUIC115EA40	P1234006F
M7 - GUIC115EA50	P1234007F
M8 - GUIC140EA50	P1234008F
M9 - GUIC045EX30	P1234101F
M10 - GUIC070EX30	P1234102F
M11 - GUIC070EX40	P1234103F
M12 - GUIC090EX30	P1234104F
M13 - GUIC090EX50	P1234105F
M14 - GUIC115EX40	P1234106F
M15 - GUIC115EX50	P1234107F
M16 - GUIC140EX50	P1234108F

Blower



Blower

Ref Part No:	Description:	Ref. Part No:	Description:
<i>Image 1:</i>		Expanded Model Nomenclature	
21	A3410501 STRAP-CAPACITOR (M5, M7, M8, M13, M15, M16)	M1 - GUIC045EA30	P1234001F
21	A4055402 STRAP-CAPACITOR (M1, M2, M3, M4, M6, M9, M10, M11, M12, M14)	M2 - GUIC070EA30	P1234002F
81	20175101 RAIL-BLWR SIDE (QTY 2)	M3 - GUIC070EA40	P1234003F
121	C6121803 CUTOFF (M1, M2, M3, M9, M10, M11)	M4 - GUIC090EA30	P1234004F
121	C6121806 CUTOFF (M4, M5, M12, M13)	M5 - GUIC090EA50	P1234005F
121	C6121807 CUTOFF (M6, M7, M8, M14, M15, M16)	M6 - GUIC115EA40	P1234006F
161	D6879740 CAPACITOR (M5, M7, M8, M13, M15, M16)	M7 - GUIC115EA50	P1234007F
161	D6879747 CAPACITOR (M6, M14)	M8 - GUIC140EA50	P1234008F
161	D6879752 CAPACITOR (M1, M2, M4, M9, M10, M12)	M9 - GUIC045EX30	P1234101F
161	D6879756 CAPACITOR (M3, M11)	M10 - GUIC070EX30	P1234102F
171	D6723303 WHEEL-BLOWER (M4, M5, M12, M13)	M11 - GUIC070EX40	P1234103F
171	D6723306 WHEEL-BLOWER (M6, M7, M8, M14, M15, M16)	M12 - GUIC090EX30	P1234104F
171	D6723310 WHEEL-BLOWER (M1, M2, M3, M9, M10, M11)	M13 - GUIC090EX50	P1234105F
181	20046615 MOTOR-BLOW 1/2 HP (M3, M11)	M14 - GUIC115EX40	P1234106F
181	20046614 MOTOR-BLOW 1/3 HP (M1, M2, M4, M9, M10, M12)	M15 - GUIC115EX50	P1234107F
181	20046617 MOTOR-BLOW 3/4 HP (M5, M13)	M16 - GUIC140EX50	P1234108F
181	20046618 MOTOR-BLOW 3/4 HP (M8, M16)		
181	20046620 MOTOR-BLOW 3/4 HP (M7, M15)		
181	20046619 MOTOR-BLOWER 1/2 HP (M6, M14)		
191	11185813 HSG WELD-BLWR (M1, M2, M3, M9, M10, M11)		
191	11185814 HSG WELD-BLWR (M4, M5, M12, M13)		
191	11185815 HSG WELD-BLWR (M6, M7, M8, M14, M15, M16)		
201	M0211020 SCREW-SM #8-7/8 (QTY AR)		
211	M0219916 SCREW-SM (QTY AR)		
221	M0253516 SCREW-TR (QTY 6)		
231	M0250558 SCREW-TC (QTY 3)		
291	M0321202 TIE-ELEC LG		
401	10207714 CONTROL-INTEG		
461	10746205 BRACKET-CONT		
471	M0216536 SCREW-SM (QTY 2)		
481	C6349703 TRANSFORMER		