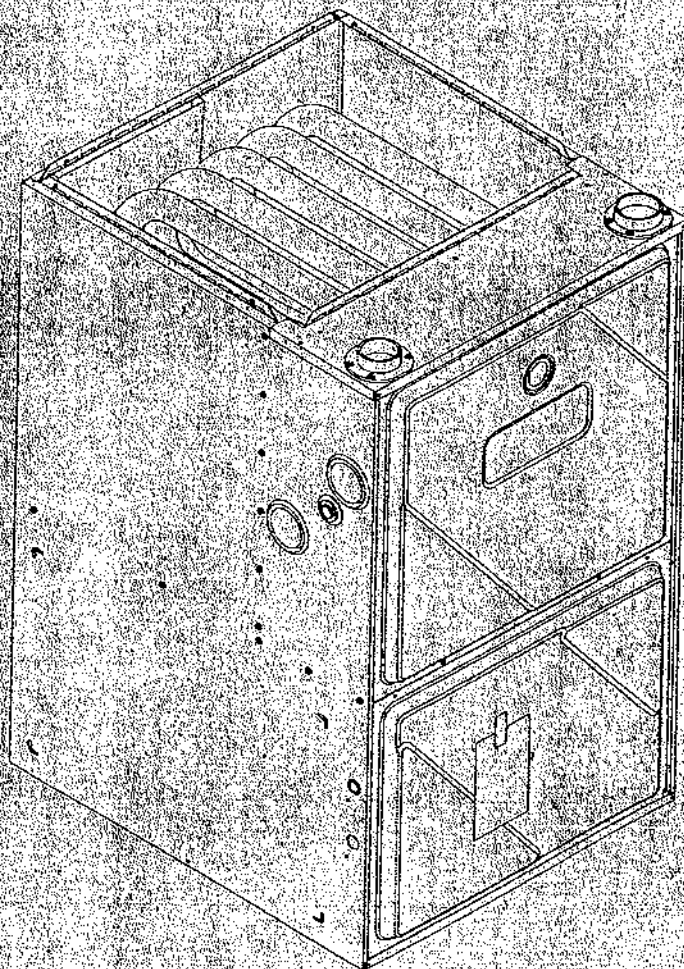


Models and manufacturing
numbers in this manual

GUSA070BX35	P1233902F
GUSA090BX40	P1233904F
GUSA090BX50	P1233905F
GUSA115BX50	P1233906F

Parts

GUSA Gas Furnace



This manual is to be used by qualified appliance technicians only. Amana does not assume any responsibility for property damage or personal injury for improper service procedures done by an unqualified person.

Amana

RP6610023
Revision 0
August 2000

Important Information

Amana is not responsible for personal injury or property damage resulting from improper service. Review all service information before beginning repairs.

Warranty service must be performed by an authorized technician, using authorized factory parts. If service is required after the warranty expires, Amana also recommends contacting an authorized technician and using authorized factory parts. Locate an authorized technician by calling (877-254-4729).

For assistance within the U.S.A. contact:

Amana Heating and Air Conditioning
1810 Wilson Parkway
Fayetteville TN 37334
931-433-6101--Telephone

Index

Functional Parts List	5
Illustration and Parts	6 - 15

Views shown are for parts illustrations only, not servicing procedures.

Text Codes:

- AR - As Required
- NA - Not Available
- NS - Not Shown
- 00000000 - See Note
- QTY - Quantity Example (QTY 3) (If Quantity not shown, Quantity = 1)
- M - Model Example (M1) (If M Code not shown, then part is used on all Models)

Expanded Model and Color Nomenclature:

Example	
M1 - Model#1	P _____
M2 - Model#2	P _____
M3 - Model#3	P _____

Functional Parts

Part

No: Description:

10735102	BECKETT BURNER (QTY AR)
20245902	BLOWER-I.D.
D6879746	CAPACITOR (M1, M2)
D6879740	CAPACITOR (M4)
D6879748	CAPACITOR (M3)
20300001	CONTROL-INTEG
10735201	FLAME-SENSOR
20200911	HARNES-WIRING (CIRCULATOR BLOWER)
20276003	HARNES-WIRING (MAIN)
11111702	IGNITOR-SINI
20162904	LIMIT (PRIMARY) (M2, M3, M4)
20162907	LIMIT (PRIMARY) (M1)
10123537	LIMIT-RESET (M2)
10123535	LIMIT-RESET MAN (AUXILLIARY)
10123534	LIMIT-RESET MAN (ROLLOUT) (M3, M4)
10123533	LIMIT-RESET MAN (ROLLOUT) (M1)
10759309	MOTOR BLOWER 1/2 HP (M2)
10759311	MOTOR-BLOW 1/2 HP (M4)
10759415	MOTOR-BLOW 3/4 HP (M3)
10759310	MOTOR-BLOWER 1/2 HP (M1)
10716003	ORIFICE (QTY AR)
10690401	SWITCH-INTERLOCK
11177117	SWITCH-PRESSURE
20197305	SWITCH-PRESSURE
C6349703	TRANSFORMER
C6476909	VALVE-GAS

SPECIAL PARTS

20201902	HOSE-DRAIN
11067349	INSTR-HI ALT FR
11067387	INSTR-INSTALL FR
10318731	INSTRUCT-INSTALL
RP6610023	MANUAL-PARTS
10318820	MANUAL-USERS
11067388	MANUAL-USERS FR
10261302	SCREEN-VENT
10261301	SCREEN-VENT
11067389	SPEC SHEET FR
11134631	SPEC-SHEET
10195511	STNDPIPE BAG ASSY

Expanded Model and Color Nomenclature

M1 - GUSA070BX35	P1233902F
M2 - GUSA090BX40	P1233904F
M3 - GUSA090BX50	P1233905F
M4 - GUSA115BX50	P1233906F

Cabinet Assembly and Blower Mounting

Ref. Part No: No:	Description:	Ref. Part No: No:	Description:
<i>Image 1:</i>			
0021 20213215	NAMEPLATE-AMANA		
0111 20179308	GASKET (QTY 2)		
0171 M0209717	SCREW-DECORATIVE (QTY 4)		
0181 M0273904	RETAINER-SCREW (QTY 4)		
0191 20273101	DOOR-ACCESS (M1)		
0191 20273102	DOOR-ACCESS (M2)		
0191 20273103	DOOR-ACCESS (M3, M4)		
0201 20273001	DOOR-BLOWER (M1)		
0201 20273002	DOOR-BLOWER (M2)		
0201 20273003	DOOR-BLOWER (M3, M4)		
0211 B1410309	HOSE-PRESSURE SW		
0221 10690401	SWITCH-INTERLOCK		
0281 11104001	SNAP-BUSHING CLR		
0291 11104002	SNAP-BUSHING CLR		
0311 20214101	GASKET-DECK (M1)		
0311 20214102	GASKET-DECK (M2)		
0311 20214103	GASKET-DECK (M3, M4)		
0321 M0294801	INSERT-KNURLED (QTY 4)		
0331 11165107	SHIELD ID BLOWER		
0341 M0219918	SCREW-SM #8-5/8 (QTY AR)		
0451 M0501301	GROMMET-PIPE		
0491 M0570804	PLUG-BUTTON (QTY AR)		
0501 M0570802	PLUG-BUTTON		
0511 M0570803	PLUG-BUTTON (QTY AR)		
0541 M0216716	SCREW-SM (QTY AR)		
0601 A4691701	GROMMET (QTY AR)		
0631 M0321202	TIE-ELEC LG (QTY AR)		
0741 M0571002	BUSHING-SNAP (QTY AR)		
0881 M0104102	CLIP-CORD		
9981 10736202	COVER-HV BOX		
9991 B1410316	HOSE PRESSURE SW (M2)		
9991 B1410304	HOSE-PRESSURE SW (M1)		
9991 B1410305	HOSE-PRESSURE SW (M3, M4)		

Expanded Model and Color Nomenclature

M1 - GUSA070BX35	P1233902F
M2 - GUSA090BX40	P1233904F
M3 - GUSA090BX50	P1233905F
M4 - GUSA115BX50	P1233906F

Blower Assembly

Ref. Part No: No:	Description:	Ref. Part No: No:	Description:
<i>Image 1:</i>			
0021 A3410501	STRAP-CAPACITOR (M1, M2, M4)		
0021 A4055402	STRAP-CAPACITOR (M3)		
0041 A4002701	GROMMET (QTY 4)		
0081 20175101	RAIL-BLWR SIDE (QTY 2)		
0121 C6121803	CUTOFF (M1)		
0121 C6121806	CUTOFF (M2)		
0121 C6121807	CUTOFF (M3, M4)		
0141 10441601	BAND-MTR MOUNT		
0151 10441501	ARM-MTR MOUNT (QTY 4)		
0161 D6879740	CAPACITOR (M4)		
0161 D6879746	CAPACITOR (M1, M2)		
0161 D6879748	CAPACITOR (M3)		
0171 D6723311	WHEEL-BLOWER (M4)		
0171 D6723319	WHEEL-BLOWER (M1)		
0171 D6723320	WHEEL-BLOWER (M2, M3)		
0181 10759309	MOTOR BLOWER 1/2 HP (M2)		
0181 10759311	MOTOR-BLOW 1/2 HP (M4)		
0181 10759415	MOTOR-BLOW 3/4 HP (M3)		
0181 10759310	MOTOR-BLOWER 1/2 HP (M1)		
0191 11185807	HOUSING WELD 11X10 (M3, M4)		
0191 11185805	HOUSING WELD 11X7 (M1)		
0191 11185806	HOUSING WELD 11X9 (M2)		
0201 M0211020	SCREW-SM #8-7/8 (QTY AR)		
0211 M0219916	SCREW-SM (QTY AR)		
0221 M0253516	SCREW-TR (QTY AR)		
0231 M0221461	SCREW-TC (QTY 4)		
0251 M0267144	SCREW-MACH		
0261 M0274008	WASHER-FLAT (QTY 4)		
0281 M0282015	NUT-KEPS		
0291 M0321202	TIE-ELEC LG		
0401 20300001	CONTROL-INTEG		
0461 10746205	BRKT-CONTROL		
0471 M0216536	SCREW-SM (QTY AR)		
0481 C6349703	TRANSFORMER		

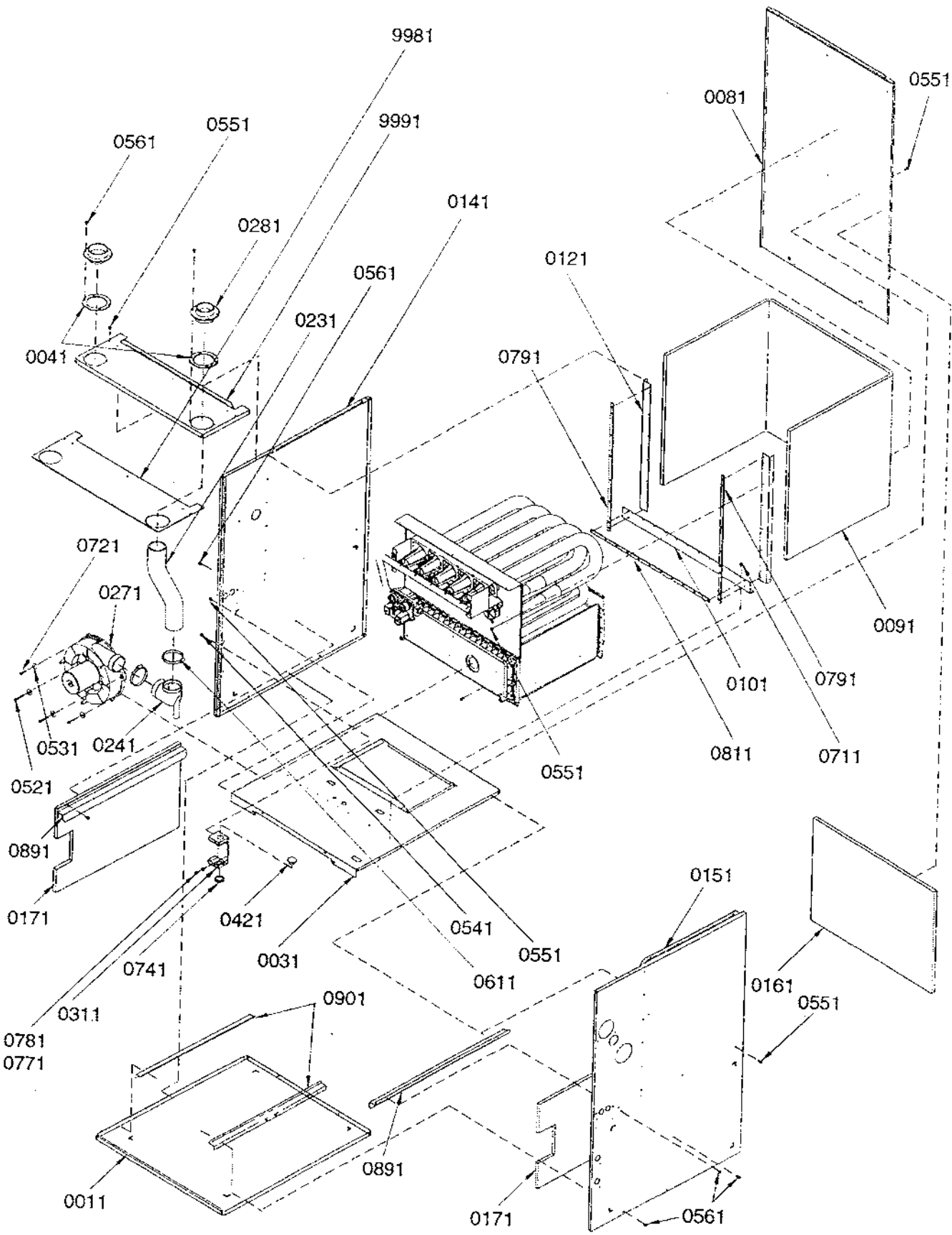
Image 2:

0132 20178501	RETAINER-FILTER
0352 10861101	BRKT-AUX LIMIT
0362 10123535	LIMIT-RESET MAN (AUXILLIARY)
0562 M0219918	SCREW-SM #8-5/8 (QTY AR)

Expanded Model and Color Nomenclature

M1 - GUSA070BX35	P1233902F
M2 - GUSA090BX40	P1233904F
M3 - GUSA090BX50	P1233905F
M4 - GUSA115BX50	P1233906F

Cabinet Assembly



Cabinet Assembly

Ref. Part No: No:	Description:	Ref. Part No: No:	Description:
<i>Image 1:</i>		9991 20273303	COVER-FLUE/FA (M3, M4)
0011 20273401	BASEPAN-UPFLOW (M1)	Expanded Model and Color Nomenclature	
0011 20273402	BASEPAN-UPFLOW (M2)	M1 - GUSA070BX35	P1233902F
0011 20273403	BASEPAN-UPFLOW (M3, M4)	M2 - GUSA090BX40	P1233904F
0031 20190310	DECK-BLOWER UF (M1)	M3 - GUSA090BX50	P1233905F
0031 20190311	DECK-BLOWER UF (M2)	M4 - GUSA115BX50	P1233906F
0031 20190312	DECK-BLOWER UF (M3, M4)		
0041 20179305	GASKET (M1)		
0041 20179306	GASKET (M2)		
0041 20179307	GASKET (M3, M4)		
0081 20273201	PANEL-BACK (M1)		
0081 20273202	PANEL-BACK (M2)		
0081 20273203	PANEL-BACK (M3, M4)		
0091 C6415907	INSUL-HT EX (M1)		
0091 C6415908	INSUL-HT EX (M2)		
0091 C6415909	INSUL-HT EX (M3, M4)		
0101 20191301	RAIL-DECK (M1)		
0101 20191302	RAIL-DECK (M2)		
0101 20191303	RAIL-DECK (M3, M4)		
0121 20191601	RAIL-SIDE (QTY 2)		
0141 20274001	PANEL-SIDE LH UF		
0151 20274101	PANEL-SIDE RH UF		
0161 20006601	INSULATION (M1)		
0161 20006602	INSULATION (M2)		
0161 20006603	INSULATION (M3, M4)		
0171 20243501	INSULATION-SIDE (QTY 2)		
0231 20190503	PIPE-FLUE UF		
0241 20171801	ELBOW		
0271 20245902	BLOWER-I.D.		
0281 20049701	COUPLING-FA (QTY 2)		
0311 10736102	BOX-HIGH VOLTAGE		
0421 A4554801	BUSHING-SNAP		
0521 M0218154	SCREW-SM (QTY AR)		
0531 M0270544	WASHER-FLAT (QTY AR)		
0541 M0216716	SCREW-SM (QTY AR)		
0551 M0219916	SCREW-SM (QTY AR)		
0561 M0219918	SCREW-SM #8-5/8 (QTY AR)		
0611 A3326008	CLAMP-HOSE (QTY AR)		
0711 M0216714	SCREW-SM (QTY AR)		
0721 M0218153	SCREW-SM (QTY AR)		
0741 M0571002	BUSHING-SNAP (QTY AR)		
0771 M0270001	WASHER-CUP		
0781 M0227803	SCREW-TC		
0791 20194604	GASKET (QTY 2)		
0811 20194601	GASKET (M1)		
0811 20194602	GASKET (M2)		
0811 20194603	GASKET (M3, M4)		
0891 10690301	ANGLE-FILTER (QTY 2)		
0901 20242801	RAIL-FILTER (QTY 2)		
9981 20192701	INSULATION (M1)		
9981 20192702	INSULATION (M2)		
9981 20192703	INSULATION (M3, M4)		
9991 20273301	COVER-FLUE/FA (M1)		
9991 20273302	COVER-FLUE/FA (M2)		

Heat Exchanger/Manifold Assembly

Image 1

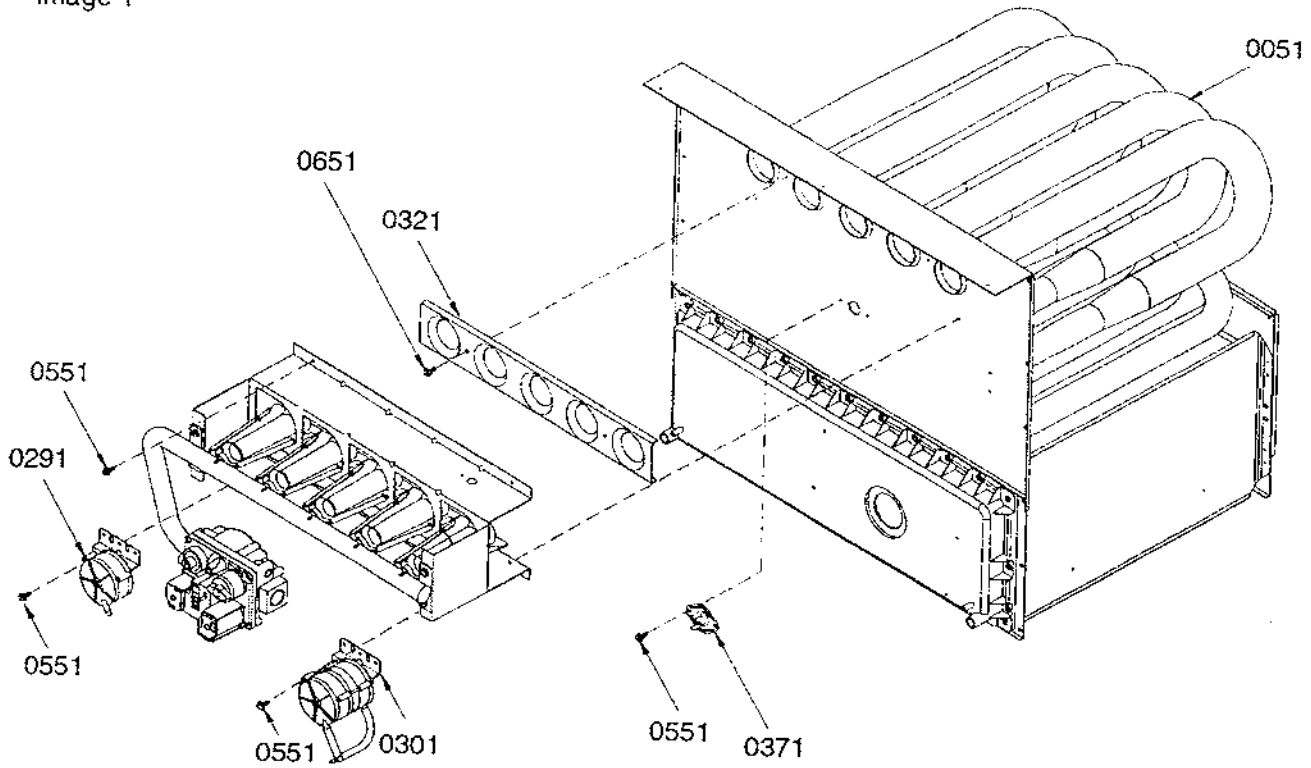
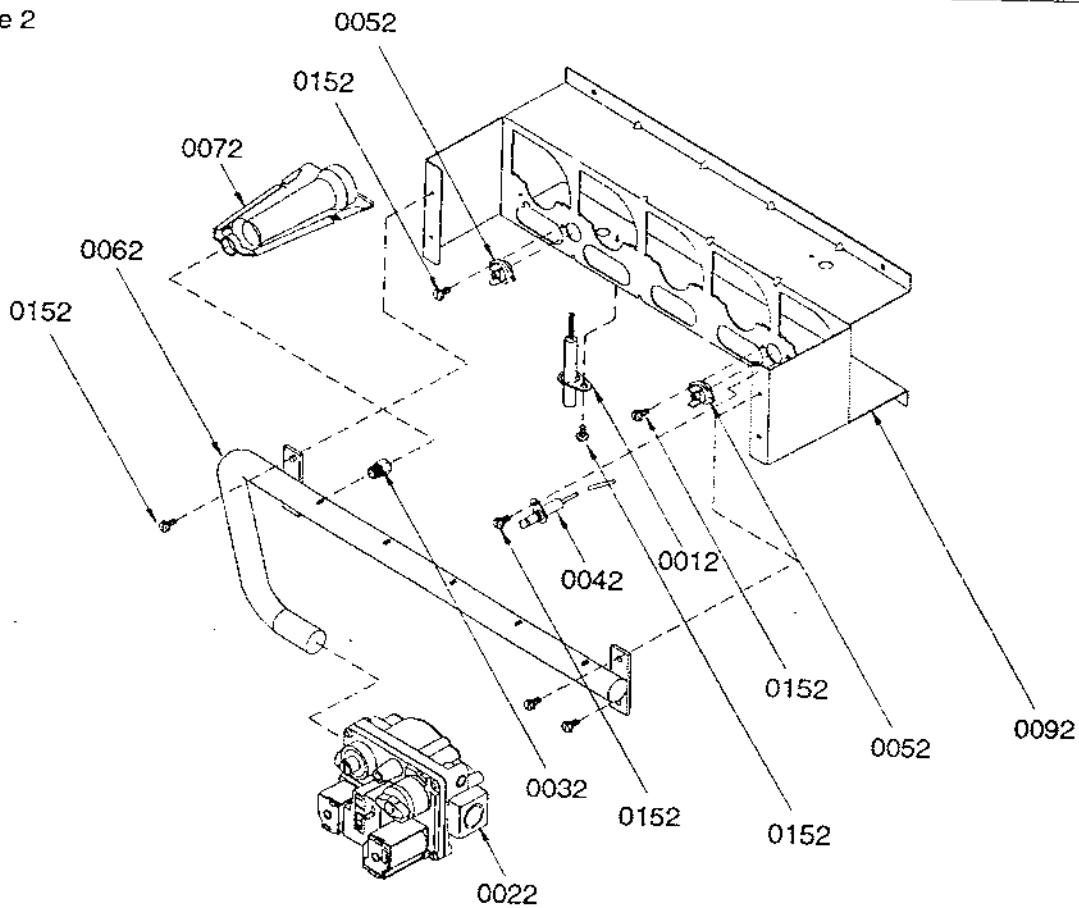


Image 2



Heat Exchanger/Manifold Assembly

Ref. Part No: No:	Description:	Ref. Part No: No:	Description:
----------------------	--------------	----------------------	--------------

Image 1:

0051 20194202	HT EX ASSY 3B (M1)
0051 20194204	HT EX ASSY 4B (M2)
0051 20194205	HT EX ASSY 4B (M3)
0051 20194206	HT EX ASSY 5B (M4)
0291 20197305	SWITCH-PRESSURE
0301 11177117	SWITCH-PRESSURE
0321 11072202	SHIELD-ORIFICE (M1)
0321 11072203	SHIELD-ORIFICE (M2, M3)
0321 11072204	SHIELD-ORIFICE (M4)
0371 20162904	LIMIT (PRIMARY) (M2, M3, M4)
0371 20162907	LIMIT (PRIMARY) (M1)
0551 M0219916	SCREW-SM (QTY AR)
0651 M0211020	SCREW-SM #8-7/8 (QTY AR)
NS 20193001	BAFFLE-AIR (M3)
NS M0211345	SCREW-SM (M1, M2, M4) (QTY AR)

Image 2:

0012 11111702	IGNITOR-SINI
0022 C6476909	VALVE-GAS
0032 10716003	ORIFICE (QTY AR)
0042 10735201	FLAME-SENSOR
0052 10123537	LIMIT-RESET (M2)
0052 10123533	LIMIT-RESET MAN (ROLLOUT) (M1)
0052 10123534	LIMIT-RESET MAN (ROLLOUT) (M3, M4)
0062 20196402	MANIFOLD (M1)
0062 20196403	MANIFOLD (M2, M3)
0062 20196404	MANIFOLD (M4)
0072 10735102	BECKETT BURNER (QTY AR)
0092 20190407	BRKT-BURNER 3B (M1)
0092 20190408	BRKT-BURNER 4B (M2, M3)
0092 20190409	BRKT-BURNER 5B (M4)
0152 M0219916	SCREW-SM (QTY AR)

Expanded Model and Color Nomenclature

M1 - GUSA070BX35	P1233902F
M2 - GUSA090BX40	P1233904F
M3 - GUSA090BX50	P1233905F
M4 - GUSA115BX50	P1233906F

Recupe Coil Assy/Standpipe Bag Assy

Image 1

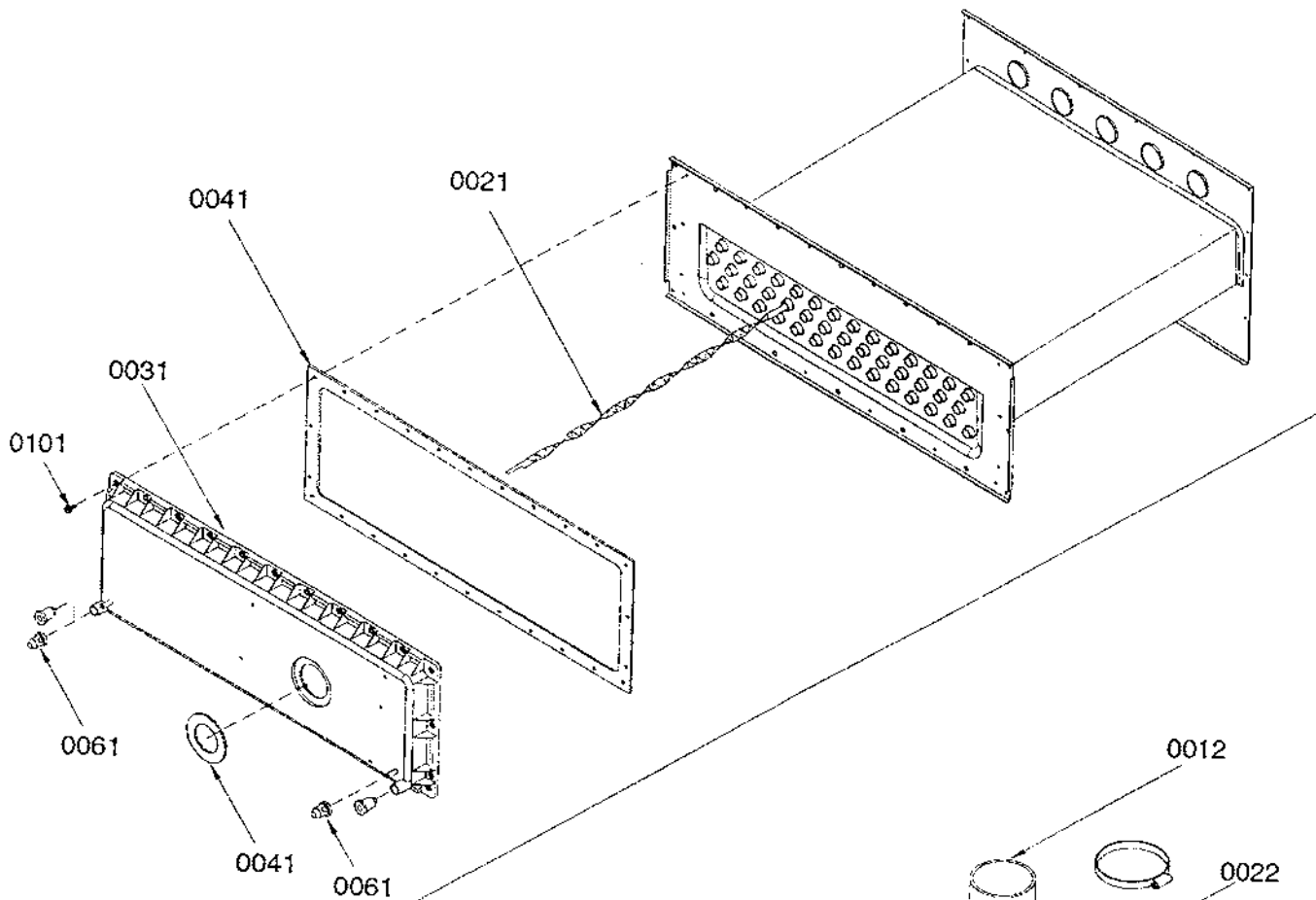
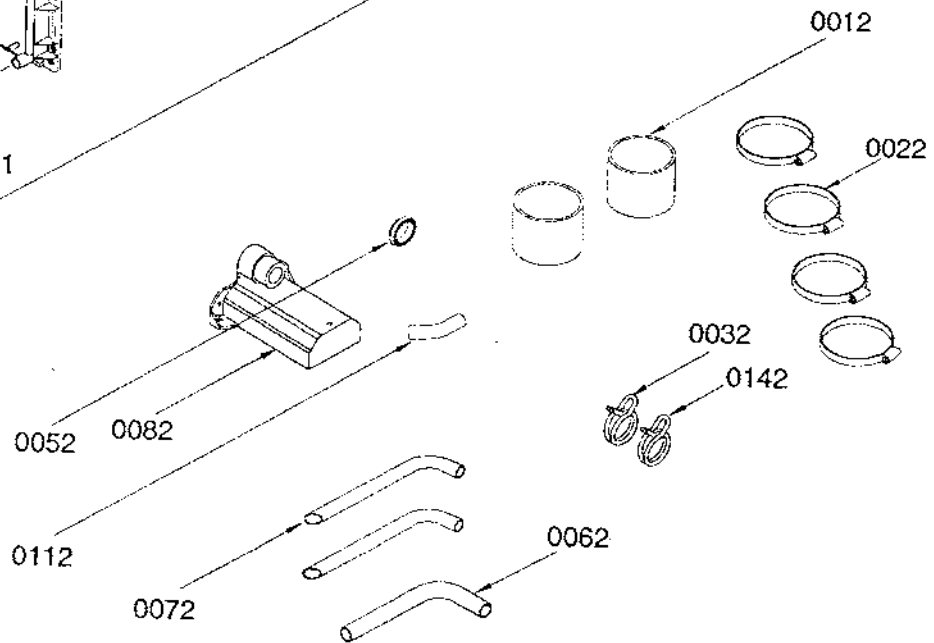


Image 2



Recupe Coil Assy/Standpipe Bag Assy

Ref. Part No: No:	Description:	Ref. Part No: No:	Description:
-------------------	--------------	-------------------	--------------

Image 1:

0021 11086005	TURBULATOR (QTY AR)
0031 20170802	COVER-FRONT (M1)
0031 20170902	COVER-FRONT (M2)
0031 20171001	COVER-FRONT (M3)
0031 20171002	COVER-FRONT (M4)
0041 20215701	GASKET-COIL (M1)
0041 20215702	GASKET-COIL (M2)
0041 20215703	GASKET-COIL (M3, M4)
0061 M0326804	PLUG-TUBE (QTY AR)
0101 M0211031	SCREW-SM #10-5/8 (QTY AR)

Image 2:

0012 10254303	COUPLING-RUBBER
0022 A3326008	CLAMP-HOSE (QTY AR)
0032 M0119207	CLAMP-HOSE (QTY AR)
0052 M0570804	PLUG-BUTTON
0062 20201901	HOSE-DRAIN
0072 20201801	TUBE-DRAIN (QTY AR)
0082 20171701	DRAIN TRAP
0112 20214201	DRAIN-ANGLE
0142 M0119205	CLAMP-HOSE (QTY AR)

Expanded Model and Color Nomenclature

M1 - GUSA070BX35	P1233902F
M2 - GUSA090BX40	P1233904F
M3 - GUSA090BX50	P1233905F
M4 - GUSA115BX50	P1233906F