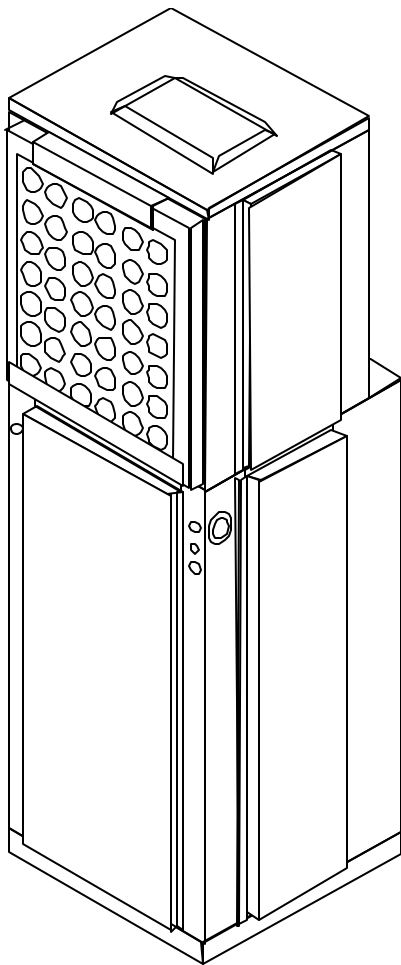


Models and manufacturing
numbers in this manual

VTC093A00AA	P1233601R
VTC093A02AA	P1233602R
VTC093A03AA	P1233603R
VTC093A04AA	P1233604R
VTC243A00AA	P1233618R
VTC243A03AA	P1233619R
VTC243A04AA	P1233620R
VTC243A05AA	P1233621R
VTC243A06AA	P1233622R
VTC243A08AA	P1233623R
VTC243A10AA	P1233624R

Parts

Vertical Package Terminal Air Conditioner Cooling Units



This manual is to be used by qualified appliance technicians only. Amana does not assume any responsibility for property damage or personal injury for improper service procedures performed by an unqualified person.

Heating & Air Conditioning
Amana
Comfort. Quality. Trust.

RP4271002 (1)
Revision 0
July 2001

Important Information

Amana is not responsible for personal injury or property damage resulting from improper service. Review all service information before beginning repairs.

Warranty service must be performed by an authorized technician, using authorized factory parts. If service is required after the warranty expires, Amana also recommends contacting an authorized technician and using authorized factory parts.

For assistance within the U.S.A. contact:

Consumer Affairs Department
Amana Heating and Air Conditioning
1810 Wilson Parkway
Fayetteville, TN 37334
877-254-4729-Telephone
931-438-2922-Facsimile

For assistance outside the U.S.A. contact:

International Division
Amana Heating and Air Conditioning
1810 Wilson Parkway
Fayetteville, TN 37334
931-438-3632-Telephone
931-438-2922-Facsimile

Index

Functional Parts List	5
Illustration and Parts	6 - 13

Views shown are for parts illustrations only, not servicing procedures.

Text Codes:

AR - As Required

NA - Not Available

NS - Not Shown

00000000 - See Note

QTY - Quantity Example (QTY 3) (If Quantity not shown, Quantity = 1)

M - Model Example (M1) (If M Code not shown, then part is used on all Models)

Expanded Model and Color Nomenclature:

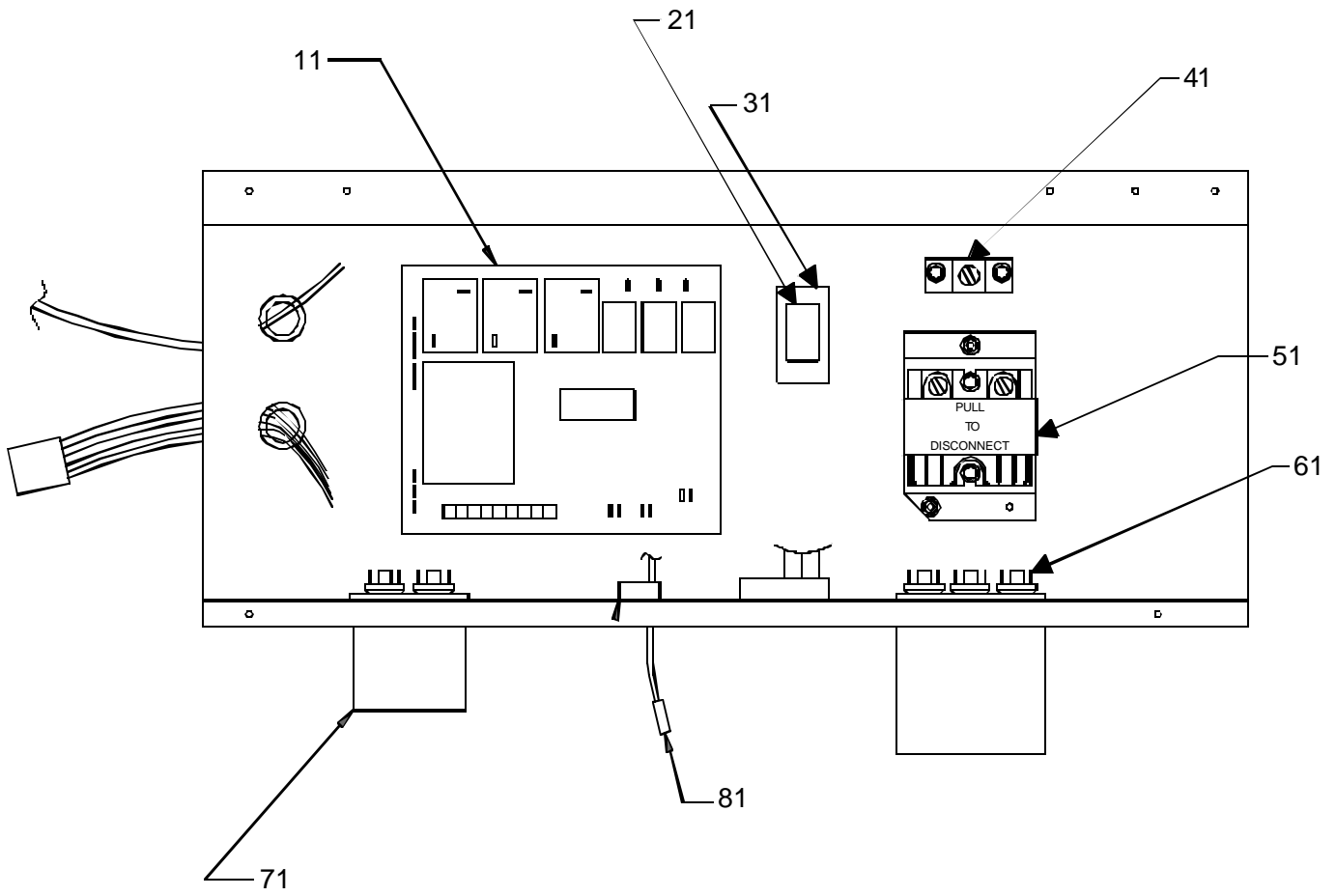
Example	
M1 - Model#1	P _____
M2 - Model#2	P _____
M3 - Model#3	P _____

Functional Parts

Part**No:****Description:**

RF000051	CAPACITOR 15/5 MF 370V (M1, M2, M3, M4)
RF000063	CAPACITOR 35/5 MF 370V (M5, M6, M7, M8, M9, M10, M11)
RF000049	CAPACITOR 5 MF 370V (M1, M2, M3, M4)
RF000107	COMPRESSOR (M5, M6, M7, M8, M9, M10, M11)
RF000082	COMPRESSOR (M1, M2, M3, M4)
RF000105	CONDENSER FAN MOTOR (M5, M6, M7, M8, M9, M10, M11)
RF000081	CONDENSER FAN MOTOR (M1, M2, M3, M4)
RF000043	CONTROL BOARD
RF000100	EVAPORATOR MOTOR (M1, M2, M3, M4)
RF000124	EVAPORATOR MOTOR (M5, M6, M7, M8, M9, M10, M11)
RF000044	FUSE

9 SPU Control



9 SPU Control

Ref. Part No:	Part No:	Description:	Ref. Part No:	Part No:	Description:
---------------	----------	--------------	---------------	----------	--------------

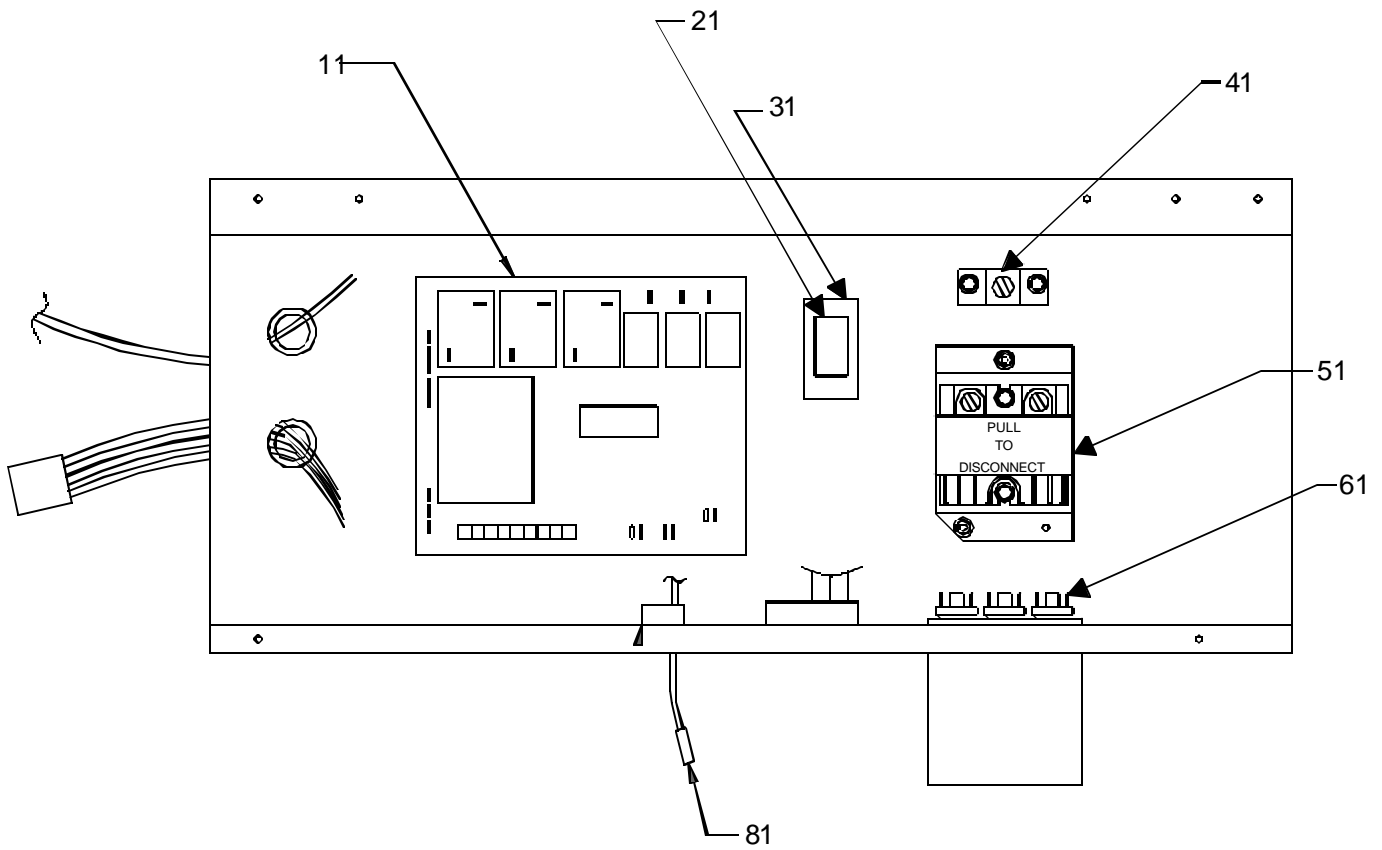
Image 1:

11	RF000043	CONTROL BOARD
21	RF000044	FUSE
31	RF000045	FUSE BLOCK
41	RF000046	GROUNDING LUG
51	RF000047	DISCONNECT SWITCH
61	RF000051	CAPACITOR 15/5 MF 370V (M1, M2, M3, M4)
61	RF000063	CAPACITOR 35/5 MF 370V (M5, M6, M7, M8, M9, M10, M11)
71	RF000049	CAPACITOR 5 MF 370V (M1, M2, M3, M4)
81	RF000050	LOW AMBIENT SWITCH

Expanded Model and Color Nomenclature

M1 - VTC093A00AA	P1233601R
M2 - VTC093A02AA	P1233602R
M3 - VTC093A03AA	P1233603R
M4 - VTC093A04AA	P1233604R
M5 - VTC243A00AA	P1233618R
M6 - VTC243A03AA	P1233619R
M7 - VTC243A04AA	P1233620R
M8 - VTC243A05AA	P1233621R
M9 - VTC243A06AA	P1233622R
M10 - VTC243A08AA	P1233623R
M11 - VTC243A10AA	P1233624R

24 SPU Control



24 SPU Control

Ref. Part

No: No:

Description:

Ref. Part

No: No:

Description:

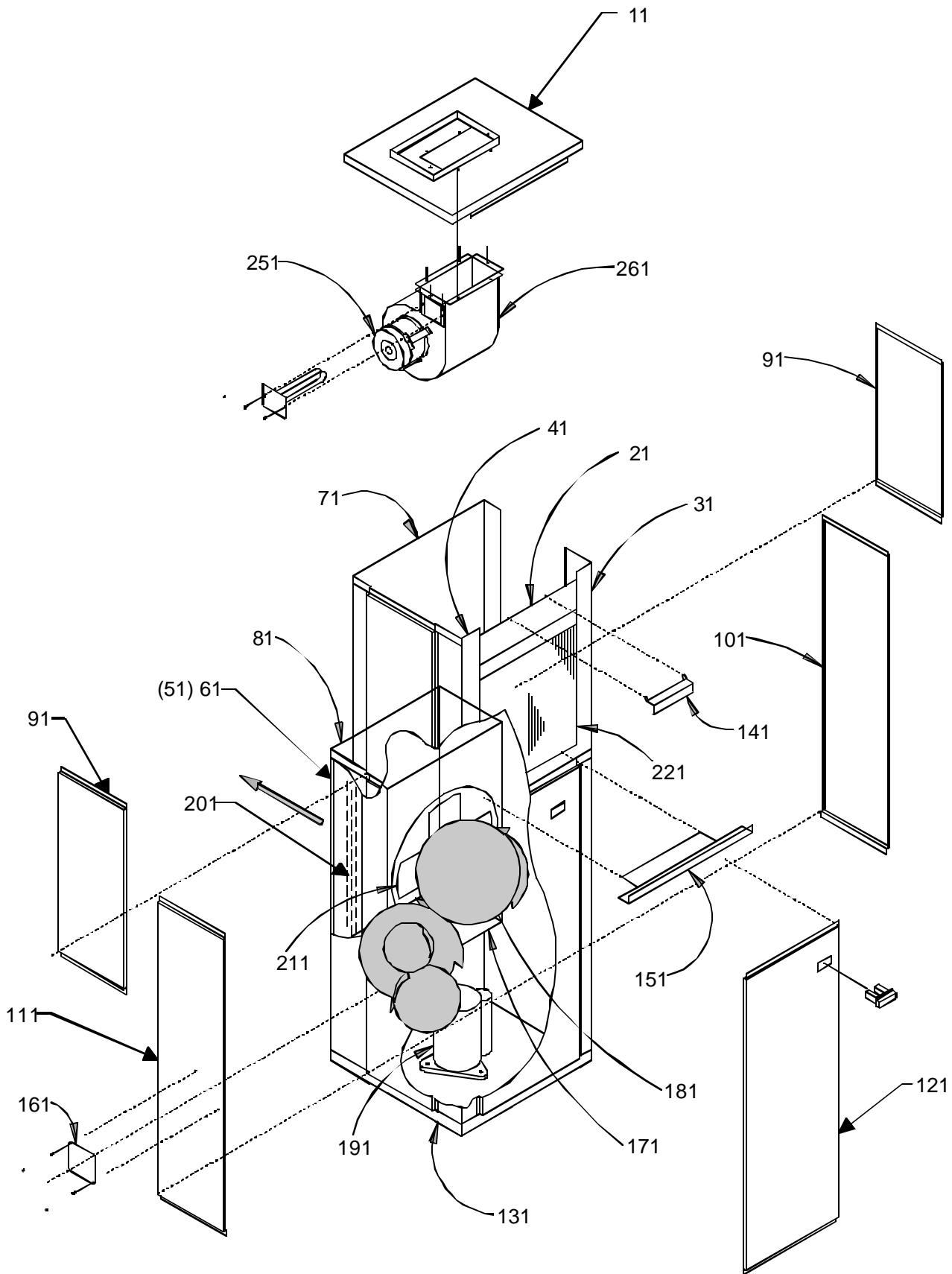
Image 1:

11	RF000043	CONTROL BOARD
21	RF000044	FUSE
31	RF000045	FUSE BLOCK
41	RF000046	GROUNDING LUG
51	RF000047	DISCONNECT SWITCH
81	RF000050	LOW AMBIENT SWITCH

Expanded Model and Color Nomenclature

M1 - VTC093A00AA	P1233601R
M2 - VTC093A02AA	P1233602R
M3 - VTC093A03AA	P1233603R
M4 - VTC093A04AA	P1233604R
M5 - VTC243A00AA	P1233618R
M6 - VTC243A03AA	P1233619R
M7 - VTC243A04AA	P1233620R
M8 - VTC243A05AA	P1233621R
M9 - VTC243A06AA	P1233622R
M10 - VTC243A08AA	P1233623R
M11 - VTC243A10AA	P1233624R

9 SPU Exploded View



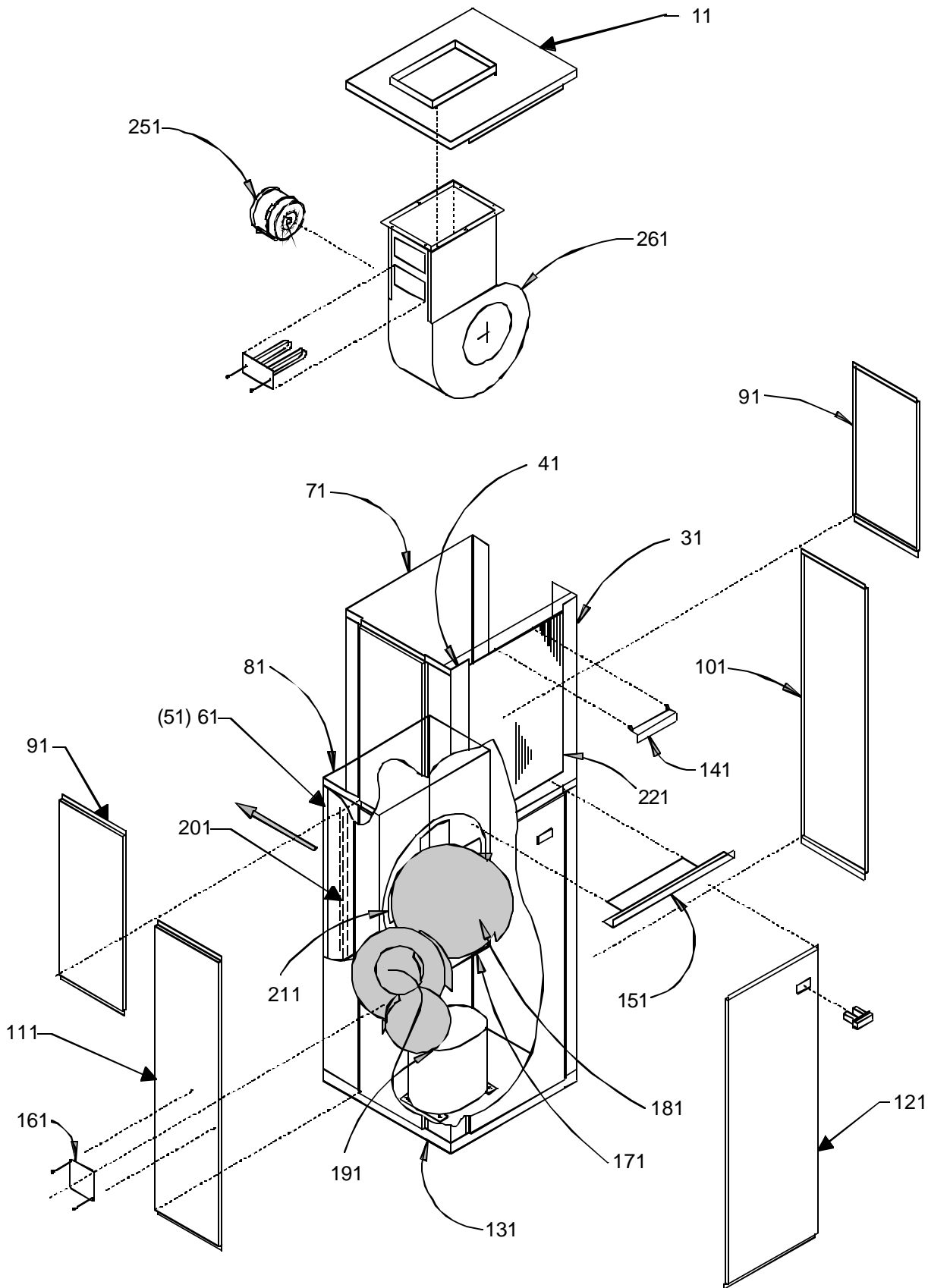
9 SPU Exploded View

Ref. Part No:	Ref. Part No:	Description:	Description:
<i>Image 1:</i>			
11	RF000064	TOP PANEL (M1, M2, M3, M4)	
21	RF000065	EVAP BAFFLE (M1, M2, M3, M4)	
31	RF000066	FRONT R. CORNER POST	
41	RF000067	FRONT L. CORNER POST	
51	RF000068	REAR R. CORNER POST	
61	RF000069	REAR L. CORNER POST	
71	RF000070	REAR VERTICAL PANEL	
81	RF000071	MIDDLE PANEL	
91	RF000072	UPPER ACCESS PANEL L&R	
101	RF000073	LOWER R. ACCESS PANEL	
111	RF000074	LOWER L. ACCESS PANEL	
121	RF000075	FRONT ACCESS PANEL	
131	RF000076	BASEPAN ASM	
141	RF000077	UPPER FILTER CLIP	
151	RF000078	BOTTOM FILTER HOLDER	
161	RF000079	VENT COVER PLATE	
171	RF000080	CONDENSER FAN SHROUD	
181	RF000081	CONDENSER FAN MOTOR (M1, M2, M3, M4)	
191	RF000082	COMPRESSOR (M1, M2, M3, M4)	
201	RF000085	CONDENSER COIL (M1, M2, M3, M4)	
211	RF000087	CONDENSER FAN	
221	RF000088	EVAPORATOR (M1)	
221	RF000089	EVAPORATOR (M2, M3, M4)	
251	RF000100	EVAPORATOR MOTOR (M1, M2, M3, M4)	
261	RF000101	EVAP. BLOWER HOUSING (M1, M2, M3, M4)	
NS	RF000092	COOLING PISTON (M1, M2, M3, M4)	

Expanded Model and Color Nomenclature

M1 - VTC093A00AA	P1233601R
M2 - VTC093A02AA	P1233602R
M3 - VTC093A03AA	P1233603R
M4 - VTC093A04AA	P1233604R
M5 - VTC243A00AA	P1233618R
M6 - VTC243A03AA	P1233619R
M7 - VTC243A04AA	P1233620R
M8 - VTC243A05AA	P1233621R
M9 - VTC243A06AA	P1233622R
M10 - VTC243A08AA	P1233623R
M11 - VTC243A10AA	P1233624R

24 SPU Exploded View



24 SPU Exploded View

Ref. Part No:	Ref. Part No:	Description:	Description:
<i>Image 1:</i>			
11	RF000102	TOP PANEL (M5, M6, M7, M8, M9, M10, M11)	
31	RF000066	FRONT R. CORNER POST	
41	RF000067	FRONT L. CORNER POST	
51	RF000068	REAR R. CORNER POST	
61	RF000069	REAR L. CORNER POST	
71	RF000070	REAR VERTICAL PANEL	
81	RF000071	MIDDLE PANEL	
91	RF000072	UPPER ACCESS PANEL L&R	
101	RF000073	LOWER R. ACCESS PANEL	
111	RF000074	LOWER L. ACCESS PANEL	
121	RF000075	FRONT ACCESS PANEL	
131	RF000076	BASEPAN ASM	
141	RF000077	UPPER FILTER CLIP	
151	RF000078	BOTTOM FILTER HOLDER	
161	RF000079	VENT COVER PLATE	
171	RF000080	CONDENSER FAN SHROUD	
181	RF000105	CONDENSER FAN MOTOR (M5, M6, M7, M8, M9, M10, M11)	
191	RF000107	COMPRESSOR (M5, M6, M7, M8, M9, M10, M11)	
201	RF000109	CONDENSER COIL (M5, M6, M7, M8, M9, M10, M11)	
211	RF000087	CONDENSER FAN	
221	RF000114	EVAPORATOR (M5, M6, M7, M8, M9, M10, M11)	
251	RF000124	EVAPORATOR MOTOR (M5, M6, M7, M8, M9, M10, M11)	
261	RF000126	EVAP. BLOWER HOUSING (M5, M6, M7, M8, M9, M10, M11)	
NS	RF000118	COOLING PISTON (M5, M6, M7, M8, M9, M10, M11)	

Expanded Model and Color Nomenclature

M1 - VTC093A00AA	P1233601R
M2 - VTC093A02AA	P1233602R
M3 - VTC093A03AA	P1233603R
M4 - VTC093A04AA	P1233604R
M5 - VTC243A00AA	P1233618R
M6 - VTC243A03AA	P1233619R
M7 - VTC243A04AA	P1233620R
M8 - VTC243A05AA	P1233621R
M9 - VTC243A06AA	P1233622R
M10 - VTC243A08AA	P1233623R
M11 - VTC243A10AA	P1233624R