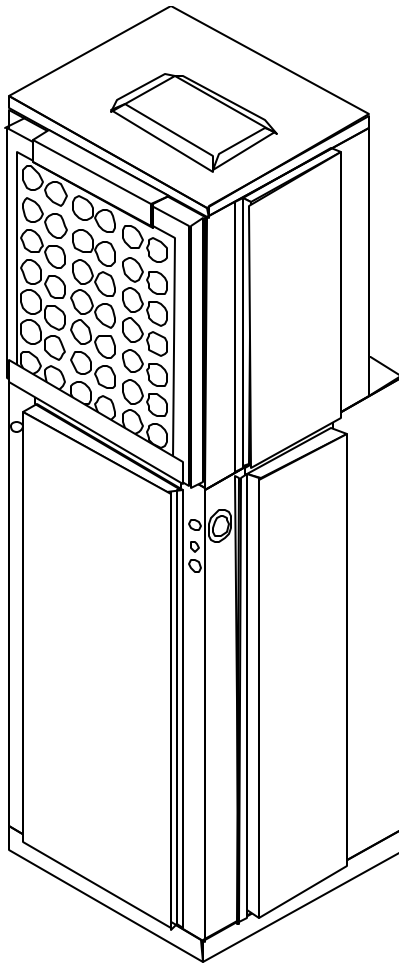


Models and manufacturing
numbers in this manual

VTC123A00AA	P1233605R
VTC123A02AA	P1233606R
VTC123A03AA	P1233607R
VTC123A04AA	P1233608R
VTC123A05AA	P1233609R
VTC183A00AA	P1233610R
VTC183A02AA	P1233611R
VTC183A03AA	P1233612R
VTC183A04AA	P1233613R
VTC183A05AA	P1233614R
VTC183A06AA	P1233615R
VTC183A08AA	P1233616R
VTC183A10AA	P1233617R

Parts

Vertical Package Terminal Air Conditioner Cooling Units



This manual is to be used by qualified appliance technicians only. Amana does not assume any responsibility for property damage or personal injury for improper service procedures performed by an unqualified person.



RP4271001 (1)
Revision 0
July 2001

Important Information

Amana is not responsible for personal injury or property damage resulting from improper service. Review all service information before beginning repairs.

Warranty service must be performed by an authorized technician, using authorized factory parts. If service is required after the warranty expires, Amana also recommends contacting an authorized technician and using authorized factory parts.

For assistance within the U.S.A. contact:

Consumer Affairs Department
Amana Heating and Air Conditioning
1810 Wilson Parkway
Fayetteville, TN 37334
877-254-4729-Telephone
931-438-2922-Facsimile

For assistance outside the U.S.A. contact:

International Division
Amana Heating and Air Conditioning
1810 Wilson Parkway
Fayetteville, TN 37334
931-438-3632-Telephone
931-438-2922-Facsimile

Index

Functional Parts List	5
Illustration and Parts	6 - 13

Views shown are for parts illustrations only, not servicing procedures.

Text Codes:

AR - As Required

NA - Not Available

NS - Not Shown

00000000 - See Note

QTY - Quantity Example (QTY 3) (If Quantity not shown, Quantity = 1)

M - Model Example (M1) (If M Code not shown, then part is used on all Models)

Expanded Model and Color Nomenclature:

Example	
M1 - Model#1	P _____
M2 - Model#2	P _____
M3 - Model#3	P _____

Functional Parts

Part

No: Description:

RF000048	CAPACITOR 30/5 MF 370V (M6, M7, M8, M9, M10, M11, M12, M13)
RF000048	CAPACITOR 30/5 MF 370V (M1, M2, M3, M4, M5)
RF000049	CAPACITOR 5 MF 370V (M1, M2, M3, M4, M5)
RF000083	COMPRESSOR (M1, M2, M3, M4, M5)
RF000106	COMPRESSOR (M6, M7, M8, M9, M10, M11, M12, M13)
RF000104	CONDENSER FAN MOTOR (M6, M7, M8, M9, M10, M11, M12, M13)
RF000081	CONDENSER FAN MOTOR (M1, M2, M3, M4, M5)
RF000043	CONTROL BOARD
RF000043	CONTROL BOARD
RF000100	EVAPORATOR MOTOR (M1, M2, M3, M4, M5)
RF000124	EVAPORATOR MOTOR (M6, M7, M8, M9, M10, M11, M12, M13)
RF000044	FUSE

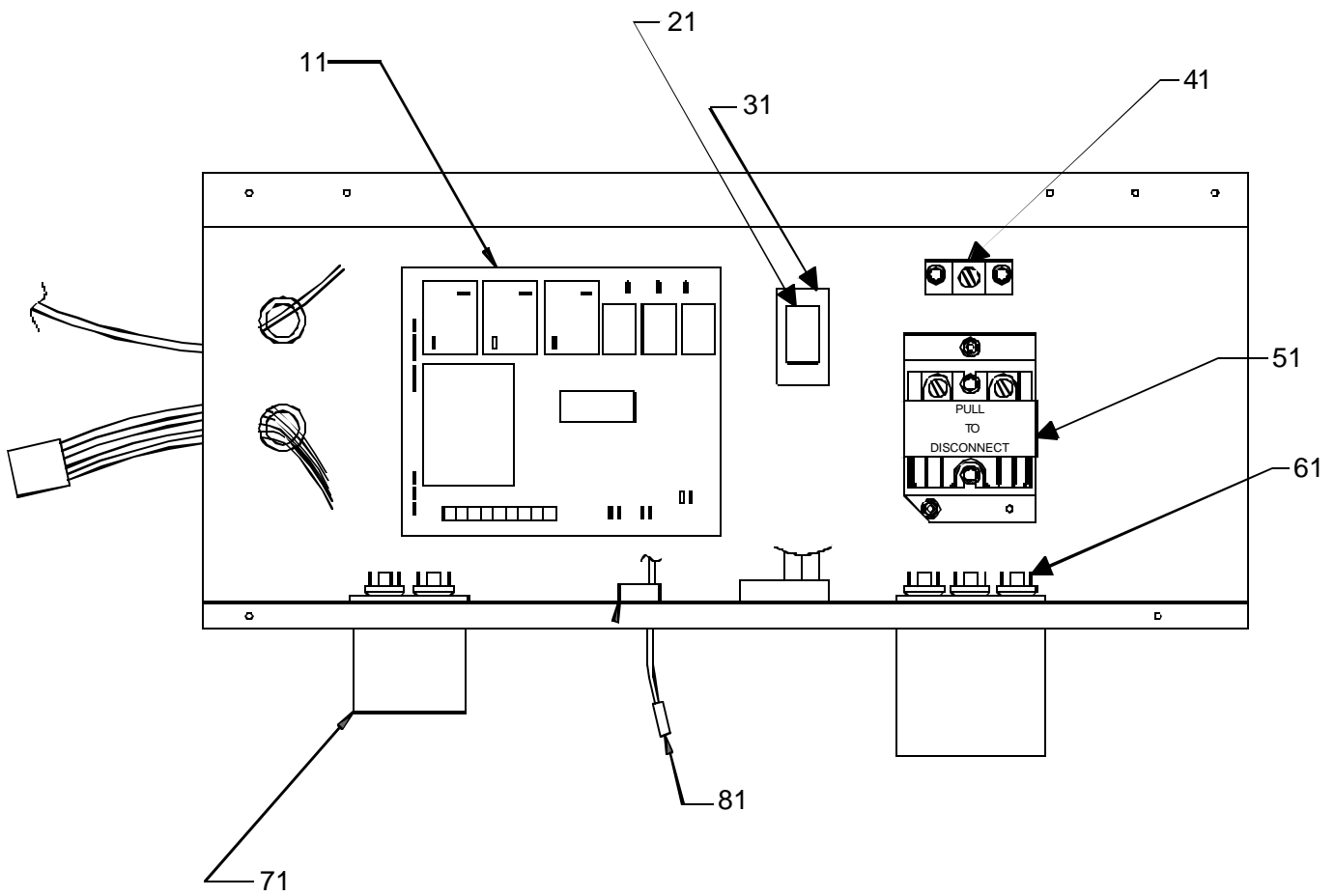
SPECIAL PARTS

20292301	INSTALL INSTRUCTIONS (M1, M2, M3, M4, M5, M6, M7, M8, M9, M10, M11)
RP4271001	PARTS MANUAL (M1, M2, M3, M4, M5, M6, M7, M8, M9, M10, M11)
RS4900003	SERVICE MANUAL (M1, M2, M3, M4, M5, M6, M7, M8, M9, M10, M11)

Expanded Model and Color Nomenclature

M1 - VTC123A00AA	P1233605R
M2 - VTC123A02AA	P1233606R
M3 - VTC123A03AA	P1233607R
M4 - VTC123A04AA	P1233608R
M5 - VTC123A05AA	P1233609R
M6 - VTC183A00AA	P1233610R
M7 - VTC183A02AA	P1233611R
M8 - VTC183A03AA	P1233612R
M9 - VTC183A04AA	P1233613R
M10 - VTC183A05AA	P1233614R
M11 - VTC183A06AA	P1233615R
M12 - VTC183A08AA	P1233616R
M13 - VTC183A10AA	P1233617R

12 SPU Control



12 SPU Control

Ref. Part No:	Ref. Part No:	Description:	Description:
---------------	---------------	--------------	--------------

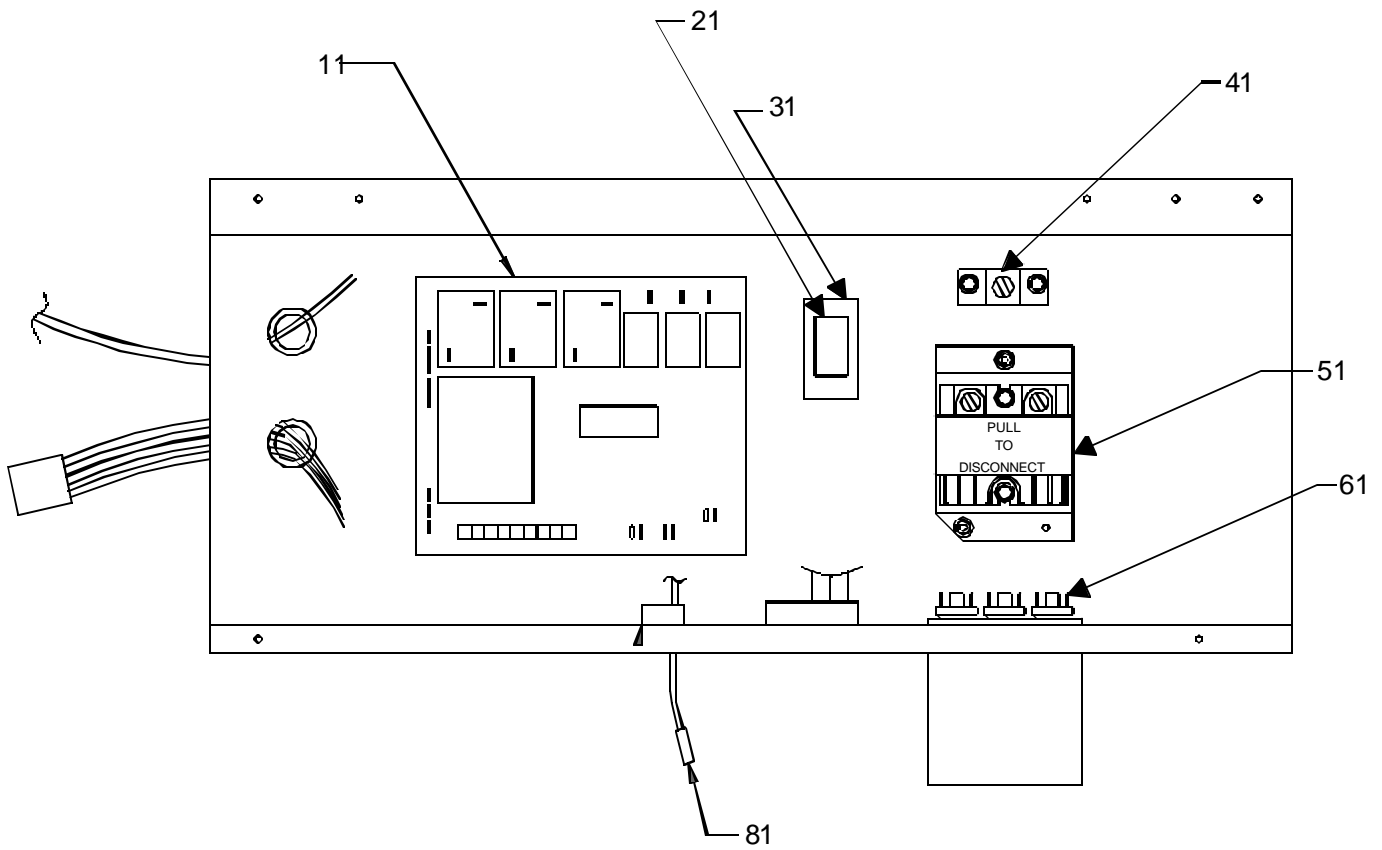
Image 1:

11	RF000043	CONTROL BOARD
21	RF000044	FUSE
31	RF000045	FUSE BLOCK
41	RF000046	GROUNDING LUG
51	RF000047	DISCONNECT SWITCH
61	RF000048	CAPACITOR 30/5 MF 370V (M1, M2, M3, M4, M5)
71	RF000049	CAPACITOR 5 MF 370V (M1, M2, M3, M4, M5)
81	RF000050	LOW AMBIENT SWITCH

Expanded Model and Color Nomenclature

M1 - VTC123A00AA	P1233605R
M2 - VTC123A02AA	P1233606R
M3 - VTC123A03AA	P1233607R
M4 - VTC123A04AA	P1233608R
M5 - VTC123A05AA	P1233609R
M6 - VTC183A00AA	P1233610R
M7 - VTC183A02AA	P1233611R
M8 - VTC183A03AA	P1233612R
M9 - VTC183A04AA	P1233613R
M10 - VTC183A05AA	P1233614R
M11 - VTC183A06AA	P1233615R
M12 - VTC183A08AA	P1233616R
M13 - VTC183A10AA	P1233617R

18 SPU Control



18 SPU Control

Ref. Part No:	Ref. Part No:	Description:	Description:
---------------	---------------	--------------	--------------

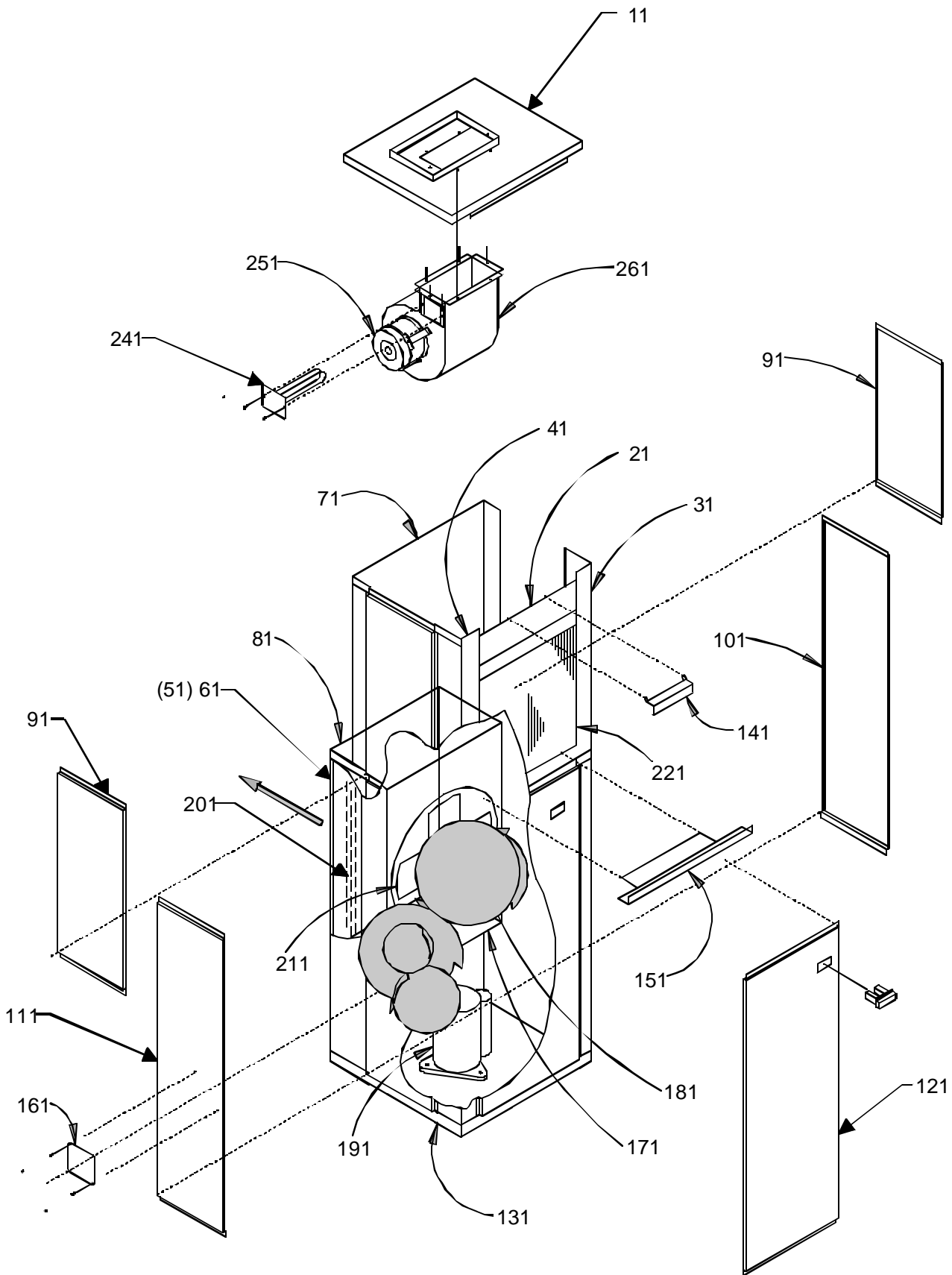
Image 1:

11	RF000043	CONTROL BOARD
21	RF000044	FUSE
31	RF000045	FUSE BLOCK
41	RF000046	GROUNDING LUG
51	RF000047	DISCONNECT SWITCH
61	RF000048	CAPACITOR 30/5 MF 370V (M6, M7, M8, M9, M10, M11, M12, M13)
81	RF000050	LOW AMBIENT SWITCH

Expanded Model and Color Nomenclature

M1 - VTC123A00AA	P1233605R
M2 - VTC123A02AA	P1233606R
M3 - VTC123A03AA	P1233607R
M4 - VTC123A04AA	P1233608R
M5 - VTC123A05AA	P1233609R
M6 - VTC183A00AA	P1233610R
M7 - VTC183A02AA	P1233611R
M8 - VTC183A03AA	P1233612R
M9 - VTC183A04AA	P1233613R
M10 - VTC183A05AA	P1233614R
M11 - VTC183A06AA	P1233615R
M12 - VTC183A08AA	P1233616R
M13 - VTC183A10AA	P1233617R

12 SPU Exploded View



12 SPU Exploded View

Ref. Part No:	Part No:	Description:	Ref. Part No:	Part No:	Description:
---------------	----------	--------------	---------------	----------	--------------

Image 1:

11	RF000064	TOP PANEL (M1, M2, M3, M4, M5)
21	RF000065	EVAP BAFFLE (M1, M2, M3, M4, M5)
31	RF000066	FRONT R. CORNER POST
41	RF000067	FRONT L. CORNER POST
51	RF000068	REAR R. CORNER POST
61	RF000069	REAR L. CORNER POST
71	RF000070	REAR VERTICAL PANEL
81	RF000071	MIDDLE PANEL
91	RF000072	UPPER ACCESS PANEL L&R
101	RF000073	LOWER R. ACCESS PANEL
111	RF000074	LOWER L. ACCESS PANEL
121	RF000075	FRONT ACCESS PANEL
131	RF000076	BASEPAN ASM
141	RF000077	UPPER FILTER CLIP
151	RF000078	BOTTOM FILTER HOLDER
161	RF000079	VENT COVER PLATE
171	RF000080	CONDENSER FAN SHROUD
181	RF000081	CONDENSER FAN MOTOR (M1, M2, M3, M4, M5)
191	RF000083	COMPRESSOR (M1, M2, M3, M4, M5)
201	RF000086	CONDENSER COIL (M1, M2, M3, M4, M5)
211	RF000087	CONDENSER FAN
221	RF000091	EVAPORATOR (M1, M2, M3, M4, M5)
251	RF000100	EVAPORATOR MOTOR (M1, M2, M3, M4, M5)
261	RF000101	EVAP. BLOWER HOUSING (M1, M2, M3, M4, M5)

Expanded Model and Color Nomenclature

M1 - VTC123A00AA	P1233605R
M2 - VTC123A02AA	P1233606R
M3 - VTC123A03AA	P1233607R
M4 - VTC123A04AA	P1233608R
M5 - VTC123A05AA	P1233609R
M6 - VTC183A00AA	P1233610R
M7 - VTC183A02AA	P1233611R
M8 - VTC183A03AA	P1233612R
M9 - VTC183A04AA	P1233613R
M10 - VTC183A05AA	P1233614R
M11 - VTC183A06AA	P1233615R
M12 - VTC183A08AA	P1233616R
M13 - VTC183A10AA	P1233617R

18 SPU Exploded View

Ref. Part No:	Part No:	Description:	Ref. Part No:	Part No:	Description:
---------------	----------	--------------	---------------	----------	--------------

Image 1:

11	RF000102	TOP PANEL (M6, M7, M8, M9, M10, M11, M12, M13)
31	RF000066	FRONT R. CORNER POST
41	RF000067	FRONT L. CORNER POST
51	RF000068	REAR R. CORNER POST
61	RF000069	REAR L. CORNER POST
71	RF000070	REAR VERTICAL PANEL
81	RF000071	MIDDLE PANEL
91	RF000072	UPPER ACCESS PANEL L&R
101	RF000073	LOWER R. ACCESS PANEL
111	RF000074	LOWER L. ACCESS PANEL
121	RF000075	FRONT ACCESS PANEL
131	RF000076	BASEPAN ASM
141	RF000077	UPPER FILTER CLIP
151	RF000078	BOTTOM FILTER HOLDER
161	RF000079	VENT COVER PLATE
171	RF000080	CONDENSER FAN SHROUD
181	RF000104	CONDENSER FAN MOTOR (M6, M7, M8, M9, M10, M11, M12, M13)
191	RF000106	COMPRESSOR (M6, M7, M8, M9, M10, M11, M12, M13)
201	RF000110	CONDENSER COIL (M6, M7, M8, M9, M10, M11, M12, M13)
211	RF000087	CONDENSER FAN
221	RF000113	EVAPORATOR (M6, M7, M8, M9, M10, M11, M12, M13)
251	RF000124	EVAPORATOR MOTOR (M6, M7, M8, M9, M10, M11, M12, M13)
261	RF000126	EVAP. BLOWER HOUSING (M6, M7, M8, M9, M10, M11, M12, M13)
NS	RF000116	COOLING PISTON (M6, M7, M8, M9, M10, M11, M12, M13)

Expanded Model and Color Nomenclature

M1 - VTC123A00AA	P1233605R
M2 - VTC123A02AA	P1233606R
M3 - VTC123A03AA	P1233607R
M4 - VTC123A04AA	P1233608R
M5 - VTC123A05AA	P1233609R
M6 - VTC183A00AA	P1233610R
M7 - VTC183A02AA	P1233611R
M8 - VTC183A03AA	P1233612R
M9 - VTC183A04AA	P1233613R
M10 - VTC183A05AA	P1233614R
M11 - VTC183A06AA	P1233615R
M12 - VTC183A08AA	P1233616R
M13 - VTC183A10AA	P1233617R