

Parts

Remote Cooling Accessories

This manual replaces RP6290006 Rev. 1.

Models and manufacturing
numbers in this manual

CCHK01A	P1227901C
CCHK02A	P1227902C
DFL01	P1232901C
DFL02	P1232902C
EDB07A	P1235002C
EDB10A	P1235003C
EDB15A	P1235004C
EDB20A	P1235005C
HSK10A	P1180010C
HSK11A	P1180011C
HSK12A	P1180012C
HSK13A	P1180013C
NHK01A	P1235301C
PCK03A	P1180107C
TXV04A	P1234601C
TXV05A	P1234602C
TXV06A	P1234603C

This manual is to be used by qualified appliance technicians only. Amana does not assume any responsibility for property damage or personal injury for improper service procedures performed by an unqualified person.



RP6290006
Revision 2
April 2004

Important Information

Amana is not responsible for personal injury or property damage resulting from improper service. Review all service information before beginning repairs.

Warranty service must be performed by an authorized technician, using authorized factory parts. If service is required after the warranty expires, Amana also recommends contacting an authorized technician and using authorized factory parts.

For assistance within the U.S.A. contact:

Consumer Affairs Department
Amana Heating and Air Conditioning
1810 Wilson Parkway
Fayetteville, TN 37334
877-254-4729-Telephone
931-438-2922-Facsimile

For assistance outside the U.S.A. contact:

International Division
Amana Heating and Air Conditioning
1810 Wilson Parkway
Fayetteville, TN 37334
931-438-3632-Telephone
931-438-2922-Facsimile

Index

Functional Parts List	4 - 5
Illustration and Parts	6 - 19

Views shown are for parts illustrations only, not servicing procedures.

Revision 1: Adds CCHK02A P1227902C.
Revision 2: Adds

Text Codes:

- AR - As Required
- NA - Not Available
- NS - Not Shown
- 00000000 - See Note
- QTY - Quantity Example (QTY 3) (If Quantity not shown, Quantity = 1)
- M - Model Example (M1) (If M Code not shown, then part is used on all Models)

Expanded Model and Color Nomenclature:

Example	
M1 - Model#1	P _____
M2 - Model#2	P _____
M3 - Model#3	P _____

Functional Parts

Part

No: Description:

10846501S	BREAKER-30A CKT (M15)
10846505S	BREAKER-35A CKT (M16)
10846503S	BREAKER-45A CKT (M13)
10846502S	BREAKER-60A CKT (M14, M15, M16)
B1104807	CAPACITOR-START (M2)
B1104804	CAPACITOR-START (M1, M4)
B1104812	CAPACITOR-START (M3)
B1104806	CAPACITOR-START (M5)
20310401S	HEATER ASSY-14.25KW (M15)
20310501S	HEATER ASSY-17.5KW (M16)
20310201S	HEATER ASSY-7.0KW (M13)
20310301S	HEATER ASSY-9.5KW (M14)
B1188509	LINK-THERMAL FUSE (M13, M14, M15, M16)
20258401	RELAY ASSY (M6)
10142321	RELAY-START (M2)
10142312	RELAY-START (M4)
10142316	RELAY-START (M1, M3, M5)
M0352017	SWITCH-AUXILLIARY LIMIT (M16)
M0352016	SWITCH-AUXILLIARY LIMIT (M13, M14, M15, M16)
M0352018	SWITCH-AUXILLIARY LIMIT (M15)

Functional Parts

Part

No: Description:

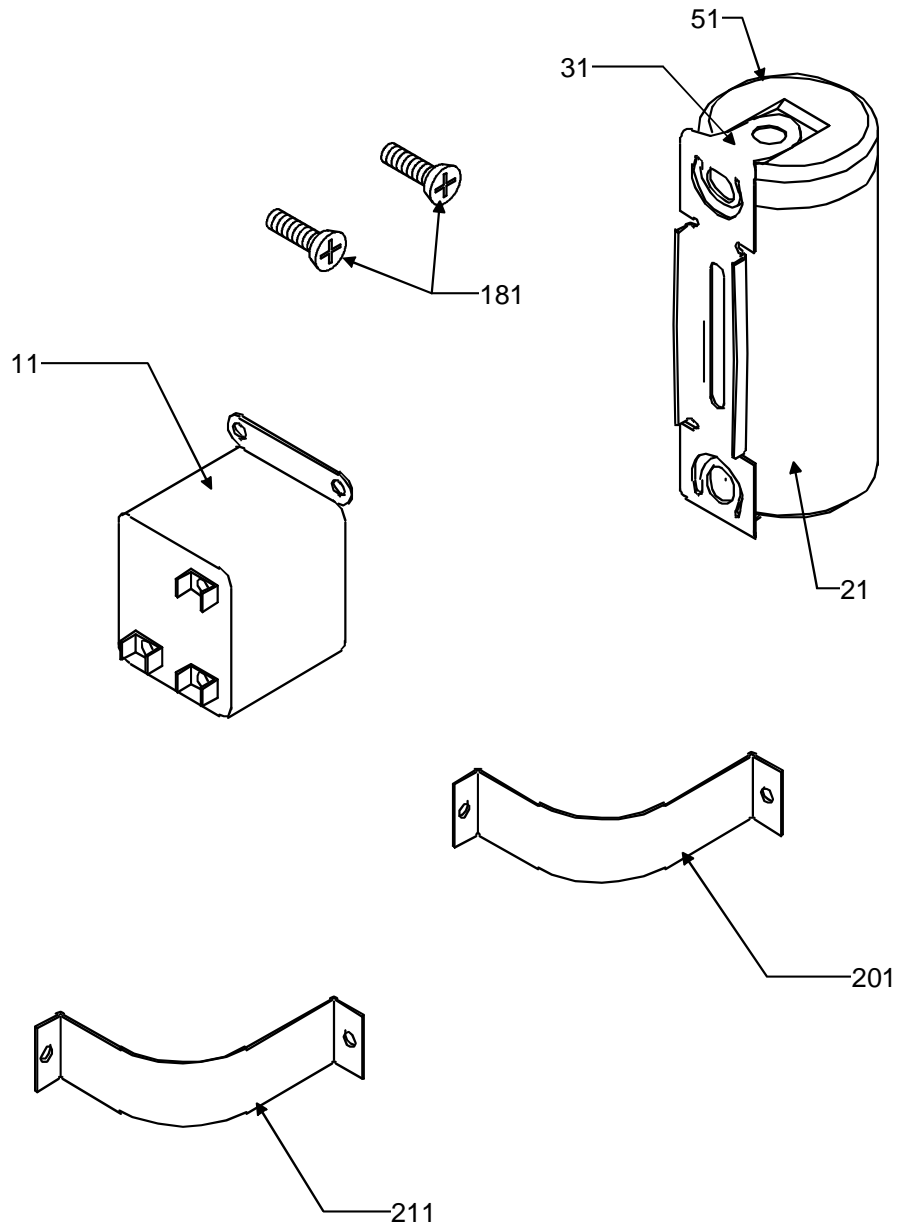
SPECIAL PARTS

20240902	INSTR MANUAL (M7)
20240902	INSTR MANUAL (M18)
11037304	INSTR-INSTAL (M1, M2, M5, M6)
11037303	INSTR-INSTAL (M10, M11, M12)
10664124	INSTR-INSTALHSK (M1, M2, M3, M4)
10664126	INSTR-INSTALL (M6)
20310101	INSTR-INSTALL (M13, M14, M15, M16)
20286802	INSTR-INSTALL (M8, M9)
RP6290006	PARTS MANUAL
RS6200003	SERVICE MANUAL

Expanded Model and Color Nomenclature

M1 - HSK10A	P1180010C
M2 - HSK11A	P1180011C
M3 - HSK12A	P1180012C
M4 - HSK13A	P1180013C
M5 - HSK14A	P1180014C
M6 - PCK03A	P1180107C
M7 - CCHK01A	P1227901C
M8 - DFL01	P1232901C
M9 - DFL02	P1232902C
M10 - TXV04A	P1234601C
M11 - TXV05A	P1234602C
M12 - TXV06A	P1234603C
M13 - EDB07A	P1235002C
M14 - EDB10A	P1235003C
M15 - EDB15A	P1235004C
M16 - EDB20A	P1235005C
M17 - NHK01A	P1235301C
M18 - CCHK02A	P1227902C

HSK10-13A



HSK10-13A

Ref. Part No:	Description:	Ref. Part No:	Description:
---------------	--------------	---------------	--------------

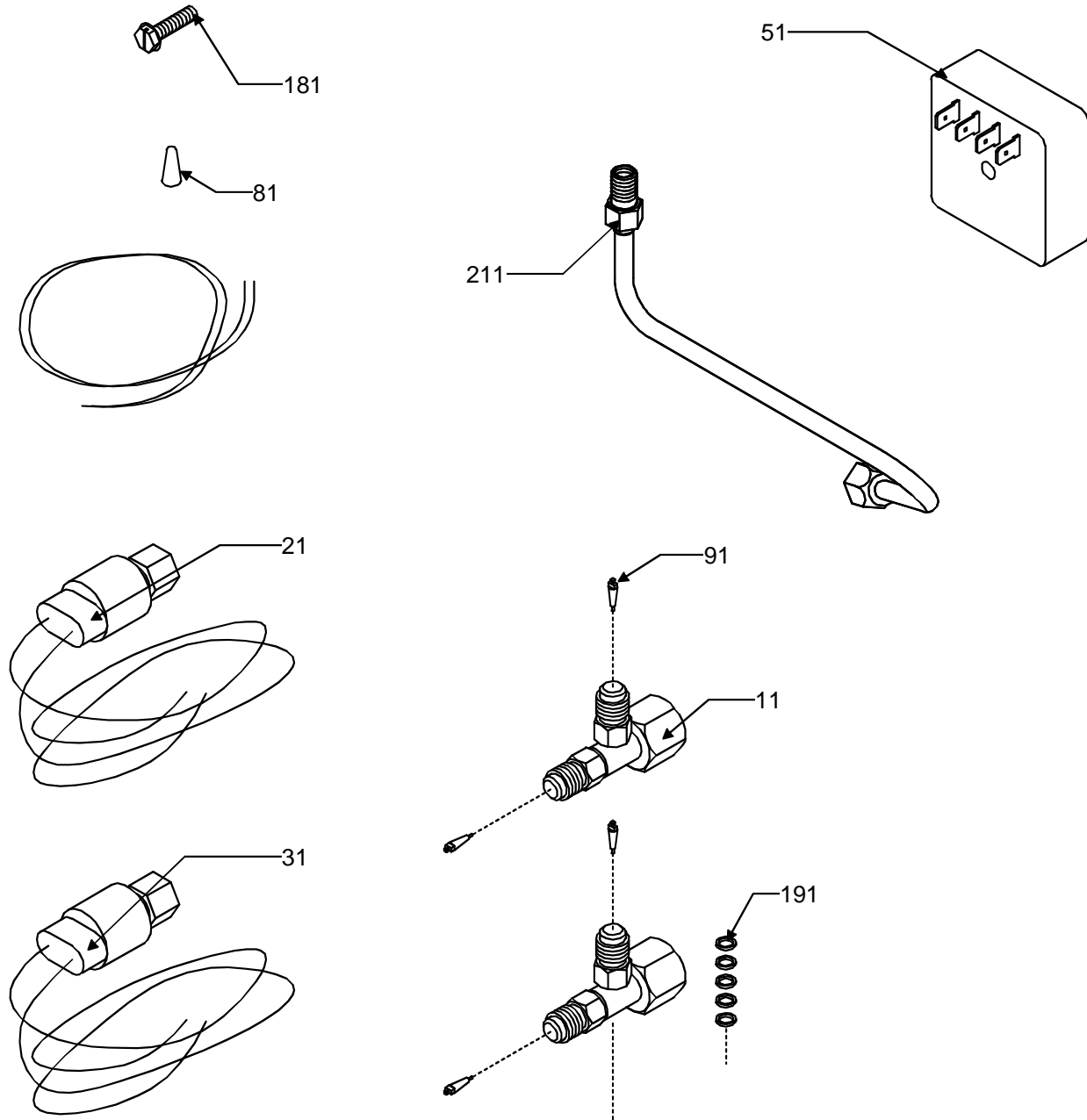
Image 1:

11	10142312	RELAY-START (M4)
11	10142316	RELAY-START (M1, M3, M5)
11	10142321	RELAY-START (M2)
21	B1104804	CAPACITOR-START (M1, M4)
21	B1104806	CAPACITOR-START (M5)
21	B1104807	CAPACITOR-START (M2)
21	B1104812	CAPACITOR-START (M3)
31	C6450401	BRKT-CAP MFG (M2, M3)
31	C6450402	BRKT-CAP MFG (M1, M4, M5)
51	C6450302	CAP-CAPACITOR (M1, M4, M5)
51	C6450303	CAP-CAPACITOR (M2, M3)
181	M0230630	SCREW-SM (M1, M2, M3, M5)
201	C6300502	STRAP-CAPACITOR (M1, M4, M5)
201	C6300503	STRAP-CAPACITOR (M2, M3)
211	C6300513	STRAP-CAPACITOR (M2, M3)

Expanded Model and Color Nomenclature

M1 - HSK10A	P1180010C
M2 - HSK11A	P1180011C
M3 - HSK12A	P1180012C
M4 - HSK13A	P1180013C
M5 - HSK14A	P1180014C
M6 - PCK03A	P1180107C
M7 - CCHK01A	P1227901C
M8 - DFL01	P1232901C
M9 - DFL02	P1232902C
M10 - TXV04A	P1234601C
M11 - TXV05A	P1234602C
M12 - TXV06A	P1234603C
M13 - EDB07A	P1235002C
M14 - EDB10A	P1235003C
M15 - EDB15A	P1235004C
M16 - EDB20A	P1235005C
M17 - NHK01A	P1235301C
M18 - CCHK02A	P1227902C

PCK03A



PCK03A

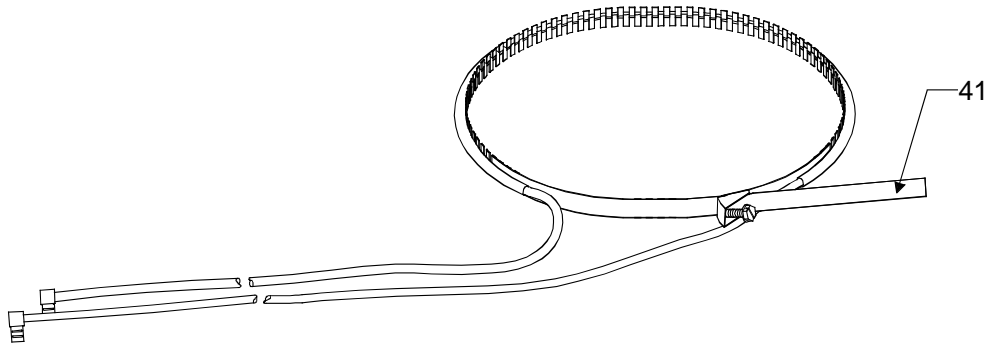
Ref. Part No: No:	Description:	Ref. Part No: No:	Description:
-------------------	--------------	-------------------	--------------

Image 1:

11	10768001	VALVE-DUAL FITTING (M6)
21	C6453314	CUTOUT-LOW PRESS (M6)
31	C6453407	CUTOUT-HIGH PRESS (M6)
51	20258401	RELAY ASSY (M6)
81	A0317601	NUT-WIRE (M6)
91	A4692801	VALVE-CORE (M6)
181	M0216515	SCREW-SM (M6)
191	M0274064	WASHER-TEFLON (M6)
211	11065304	TUBE WELD (M6)

Expanded Model and Color Nomenclature

M1 - HSK10A	P1180010C
M2 - HSK11A	P1180011C
M3 - HSK12A	P1180012C
M4 - HSK13A	P1180013C
M5 - HSK14A	P1180014C
M6 - PCK03A	P1180107C
M7 - CCHK01A	P1227901C
M8 - DFL01	P1232901C
M9 - DFL02	P1232902C
M10 - TXV04A	P1234601C
M11 - TXV05A	P1234602C
M12 - TXV06A	P1234603C
M13 - EDB07A	P1235002C
M14 - EDB10A	P1235003C
M15 - EDB15A	P1235004C
M16 - EDB20A	P1235005C
M17 - NHK01A	P1235301C
M18 - CCHK02A	P1227902C



CCHK01/2A

Ref. Part No:	Description:	Ref. Part No:	Description:
---------------	--------------	---------------	--------------

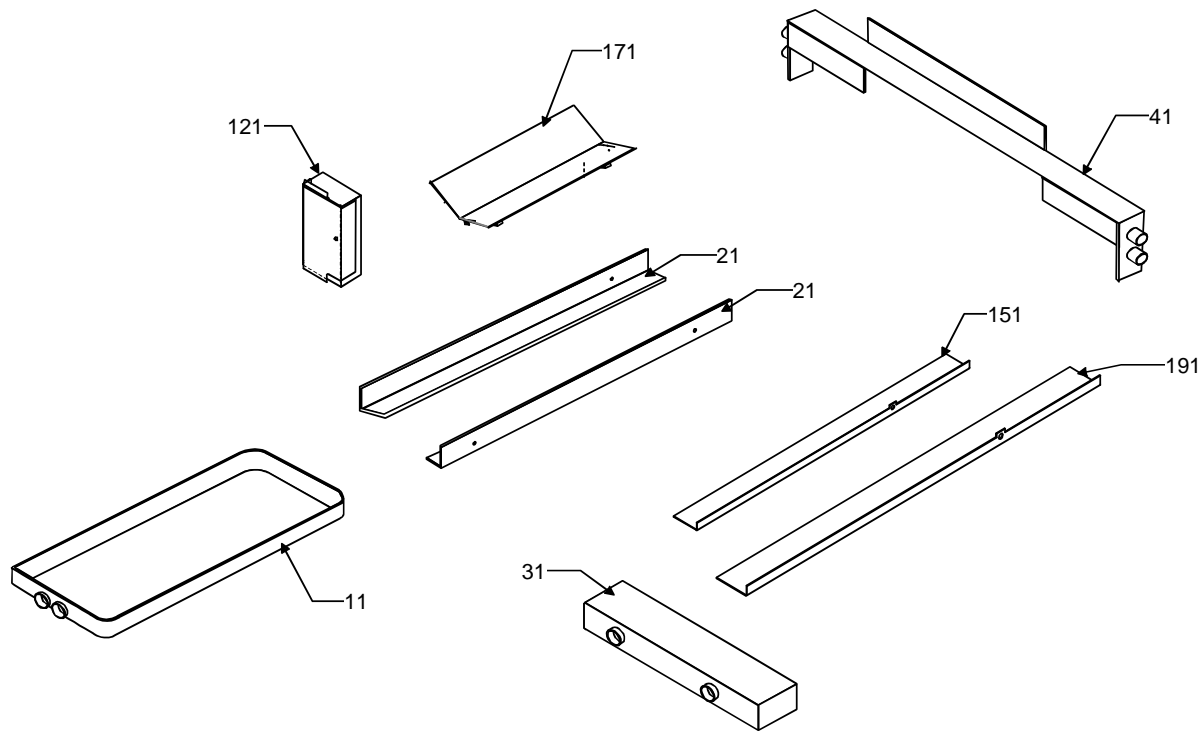
Image 1:

41	20241001	HTR-CRKC BELLY BAND (M7)
41	20241002	HTR-CRKC BELLY BAND (M18)

Expanded Model and Color Nomenclature

M1 - HSK10A	P1180010C
M2 - HSK11A	P1180011C
M3 - HSK12A	P1180012C
M4 - HSK13A	P1180013C
M5 - HSK14A	P1180014C
M6 - PCK03A	P1180107C
M7 - CCHK01A	P1227901C
M8 - DFL01	P1232901C
M9 - DFL02	P1232902C
M10 - TXV04A	P1234601C
M11 - TXV05A	P1234602C
M12 - TXV06A	P1234603C
M13 - EDB07A	P1235002C
M14 - EDB10A	P1235003C
M15 - EDB15A	P1235004C
M16 - EDB20A	P1235005C
M17 - NHK01A	P1235301C
M18 - CCHK02A	P1227902C

DFL01,02



DFL01,02

Ref. Part No: No:	Description:	Ref. Part No: No:	Description:
----------------------	--------------	----------------------	--------------

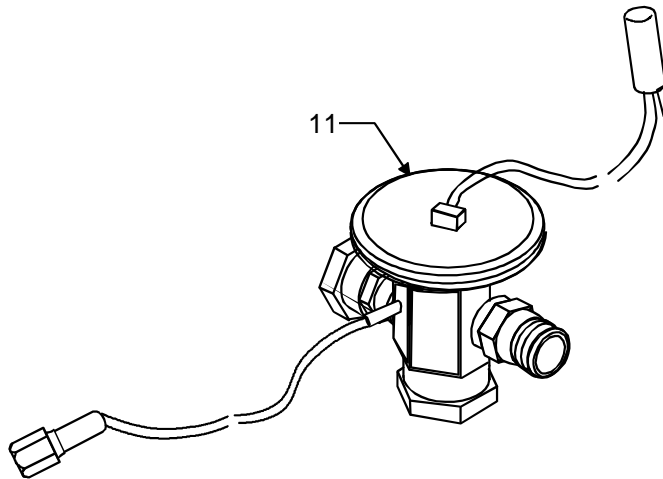
Image 1:

11	20305301	DRAIN PAN ASSY (M8)
11	20290901	DRAIN PAN-DFLOW (M8)
11	20290902	DRAIN PAN-DFLOW (M9)
21	20291501	BKT ASSY-SIDE DFLOW (M8, M9)
21	20291501	BKT ASSY-SIDE DFLOW (M8, M9)
31	20295001	BKT ASSY-BK DFLOW (M8)
31	20295002	BKT ASSY-BK DFLOW (M9)
41	20303801	BKT ASSY-FT DFLOW (M8)
41	20303802	BKT ASSY-FT DFLOW (M9)
121	20303601	COVER ASSY-DOOR (M8, M9)
151	20357901	COVER-RT BD ACC (M8)
171	10615709	COVER-EVAP CO BWR (M9)
191	20357902	COVER-RT BD ACC (M8)
191	20357903	COVER-RT BD ACC (M9)

Expanded Model and Color Nomenclature

M1 - HSK10A	P1180010C
M2 - HSK11A	P1180011C
M3 - HSK12A	P1180012C
M4 - HSK13A	P1180013C
M5 - HSK14A	P1180014C
M6 - PCK03A	P1180107C
M7 - CCHK01A	P1227901C
M8 - DFL01	P1232901C
M9 - DFL02	P1232902C
M10 - TXV04A	P1234601C
M11 - TXV05A	P1234602C
M12 - TXV06A	P1234603C
M13 - EDB07A	P1235002C
M14 - EDB10A	P1235003C
M15 - EDB15A	P1235004C
M16 - EDB20A	P1235005C
M17 - NHK01A	P1235301C
M18 - CCHK02A	P1227902C

TXV04-06A



TXV04-06A

Ref. Part

No: No:

Description:

Ref. Part

No: No:

Description:

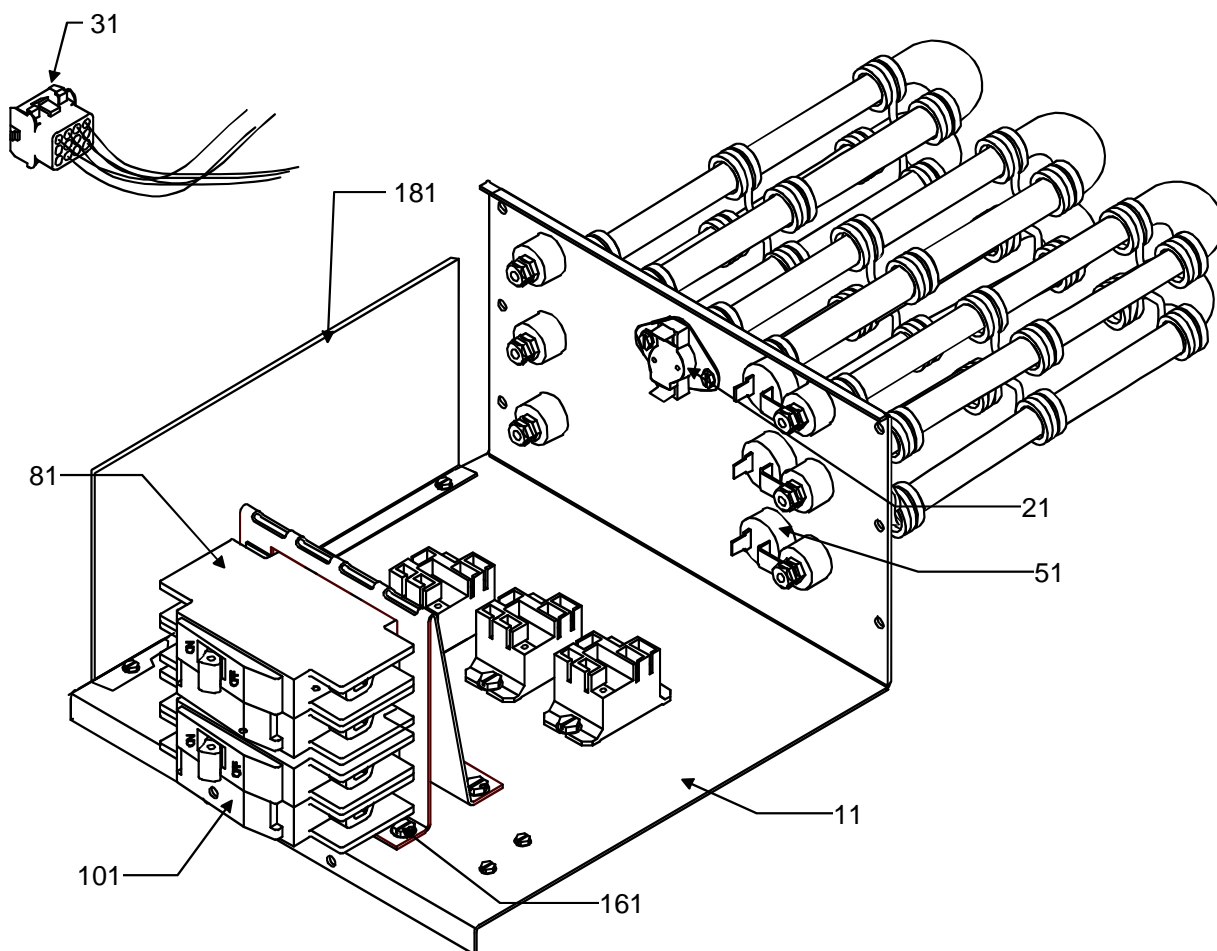
Image 1:

11	20304401S	VALVE-EXPANSION (M10)
11	20304402S	VALVE-EXPANSION (M11)
11	20304403S	VALVE-EXPANSION (M12)

Expanded Model and Color Nomenclature

M1 - HSK10A	P1180010C
M2 - HSK11A	P1180011C
M3 - HSK12A	P1180012C
M4 - HSK13A	P1180013C
M5 - HSK14A	P1180014C
M6 - PCK03A	P1180107C
M7 - CCHK01A	P1227901C
M8 - DFL01	P1232901C
M9 - DFL02	P1232902C
M10 - TXV04A	P1234601C
M11 - TXV05A	P1234602C
M12 - TXV06A	P1234603C
M13 - EDB07A	P1235002C
M14 - EDB10A	P1235003C
M15 - EDB15A	P1235004C
M16 - EDB20A	P1235005C
M17 - NHK01A	P1235301C
M18 - CCHK02A	P1227902C

EDB07, 10, 15, 20A



EDB07, 10, 15, 20A

Ref. Part No:	Ref. Part No:	Description:	Description:
---------------	---------------	--------------	--------------

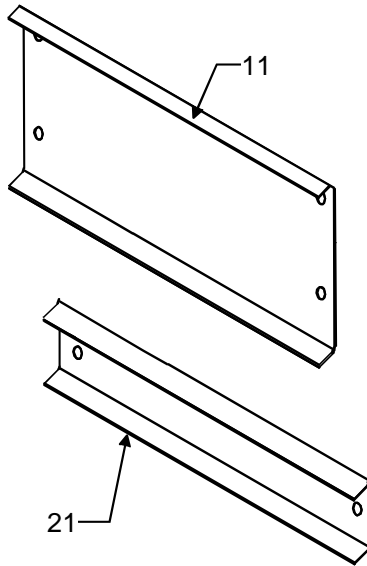
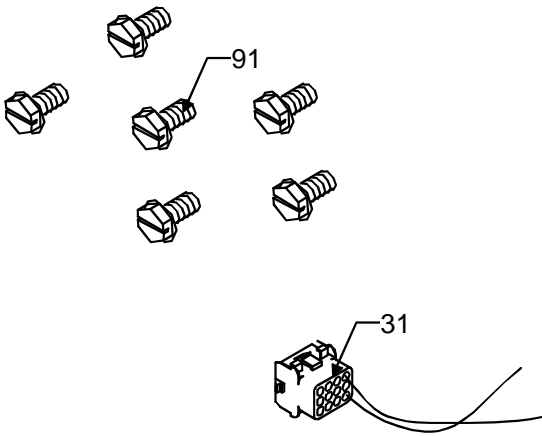
Image 1:

11	20310401S	HEATER ASSY-14.25KW (M15)
11	20310501S	HEATER ASSY-17.5KW (M16)
11	20310201S	HEATER ASSY-7.0KW (M13)
11	20310301S	HEATER ASSY-9.5KW (M14)
21	M0352016	SWITCH-AUXILLIARY LIMIT (M13, M14, M15, M16)
21	M0352017	SWITCH-AUXILLIARY LIMIT (M16)
21	M0352018	SWITCH-AUXILLIARY LIMIT (M15)
31	20309502S	HARNESS-WIRING (M13, M14)
31	20309503S	HARNESS-WIRING (M15, M16)
51	B1188509	LINK-THERMAL FUSE (M13, M14, M15, M16)
81	10846501S	BREAKER-30A CKT (M15)
81	10846505S	BREAKER-35A CKT (M16)
81	10846503S	BREAKER-45A CKT (M13)
101	10846502S	BREAKER-60A CKT (M14, M15, M16)
161	M0219916S	SCREW-SM (M13, M14, M15, M16)
181	20319001S	PLATE-BARRIER (M13, M14, M15)
181	20319001S	PLATE-BARRIER (M16)

Expanded Model and Color Nomenclature

M1 - HSK10A	P1180010C
M2 - HSK11A	P1180011C
M3 - HSK12A	P1180012C
M4 - HSK13A	P1180013C
M5 - HSK14A	P1180014C
M6 - PCK03A	P1180107C
M7 - CCHK01A	P1227901C
M8 - DFL01	P1232901C
M9 - DFL02	P1232902C
M10 - TXV04A	P1234601C
M11 - TXV05A	P1234602C
M12 - TXV06A	P1234603C
M13 - EDB07A	P1235002C
M14 - EDB10A	P1235003C
M15 - EDB15A	P1235004C
M16 - EDB20A	P1235005C
M17 - NHK01A	P1235301C
M18 - CCHK02A	P1227902C

NHK01A



NHK01A

**Ref. Part
No: No:**

Description:

**Ref. Part
No: No:**

Description:

Image 1:

11	20268602	PLATE-HEATER CVR ACC (M17)
21	20268601	PLATE-HEATER CVR BWR (M17)
31	20305601	HARNESS-WIRING (M17)
91	M0219916	SCREW-SM (M17)

Expanded Model and Color Nomenclature

M1 - HSK10A	P1180010C
M2 - HSK11A	P1180011C
M3 - HSK12A	P1180012C
M4 - HSK13A	P1180013C
M5 - HSK14A	P1180014C
M6 - PCK03A	P1180107C
M7 - CCHK01A	P1227901C
M8 - DFL01	P1232901C
M9 - DFL02	P1232902C
M10 - TXV04A	P1234601C
M11 - TXV05A	P1234602C
M12 - TXV06A	P1234603C
M13 - EDB07A	P1235002C
M14 - EDB10A	P1235003C
M15 - EDB15A	P1235004C
M16 - EDB20A	P1235005C
M17 - NHK01A	P1235301C
M18 - CCHK02A	P1227902C