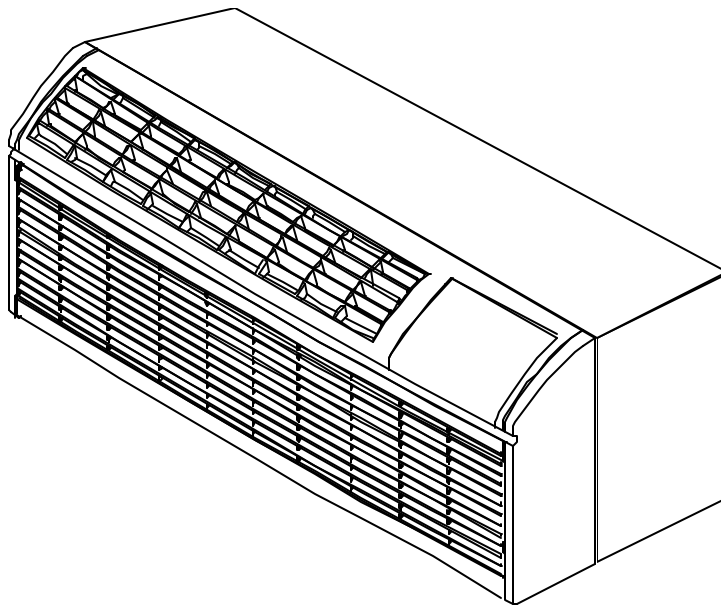


Models and manufacturing
numbers in this manual

NTE07A35C4B	P1232745R
NTE09A35C4B	P1232748R
NTE12A35C4B	P1232751R
NTE15A35C4B	P1232755R

Parts

Package Terminal Air Conditioner



This manual is to be used by qualified appliance technicians only. Amana does not assume any responsibility for property damage or personal injury for improper service procedures done by an unqualified person.

Amana

RP4210028 (1)
Revision 0
February 2001

Important Information

Amana is not responsible for personal injury or property damage resulting from improper service. Review all service information before beginning repairs.

Warranty service must be performed by an authorized technician, using authorized factory parts. If service is required after the warranty expires, Amana also recommends contacting an authorized technician and using authorized factory parts. Locate an authorized technician by calling 800-NATLSVC (800-628-5782).

For assistance within the U.S.A. contact:

Consumer Affairs Department
Amana
2800 220th Trail
Amana IA 52204-0001
319-622-5511--Telephone
319-622-2977--Facsimile

For assistance outside the U.S.A. contact:

International Division
Amana
2800 220th Trail
Amana IA 52204-0001
USA
319-622-5511--Telephone
319-622-8595--Facsimile

Index

Functional Parts List	5
Illustration and Parts	6 - 19

Views shown are for parts illustrations only, not servicing procedures.

Text Codes:

AR - As Required

NA - Not Available

NS - Not Shown

00000000 - See Note

QTY - Quantity Example (QTY 3) (If Quantity not shown, Quantity = 1)

M - Model Example (M1) (If M Code not shown, then part is used on all Models)

Expanded Model and Color Nomenclature:

Example	
M1 - Model#1	P _____
M2 - Model#2	P _____
M3 - Model#3	P _____

Functional Parts

Part

No: Description:

D6789025	CAPACITOR-METAL (M4)
D6789063	CAPACITOR-ROUND (M1, M2)
D6789060	CAPACITOR-ROUND (M3)
D6926117	COMP-PN 2K21S3R276A (M4)
D6985810	COMP-PN 2P17S3R276A (M3)
D6887710	COMP-PN 2R10S3R276A (M1)
D6887712	COMP-PN 2R13S3R276A (M2)
20007702	COND ASSY (M1)
20007503	COND ASSY (M2, M3, M4)
11114701	CORD-277V-20A
20284904	FILTER DRIER ASSEMBLY (M3)
20284906	FILTER DRIER ASSEMBLY (M4)
20284901	FILTER DRIER ASSEMBLY (M1)
20284902	FILTER DRIER ASSEMBLY (M2)
A3410403	FUSE-20A
20252008	HTR 4 3.7KW ASSY
20295701	INDOOR AMBIENT THERMISTOR
11114908	MOTOR-FAN (M1, M2)
11114910	MOTOR-FAN (M3, M4)
D6961637	OVERLOAD (M1)
D6961642	OVERLOAD (M2)
D6961643	OVERLOAD (M3)
D6961657	OVERLOAD (M4)
11045802	SCROLL-BLOWER
11044101	WHEEL-BLOWER

SPECIAL PARTS

11115801	INSTR-CHAS INSTAL
11113302	MANUAL-OWNERS
20286101	WARRANTY

Expanded Model and Color Nomenclature

M1 - NTE07A35C4B	P1232745R
M2 - NTE09A35C4B	P1232748R
M3 - NTE12A35C4B	P1232751R
M4 - NTE15A35C4B	P1232755R

Front/Chassis

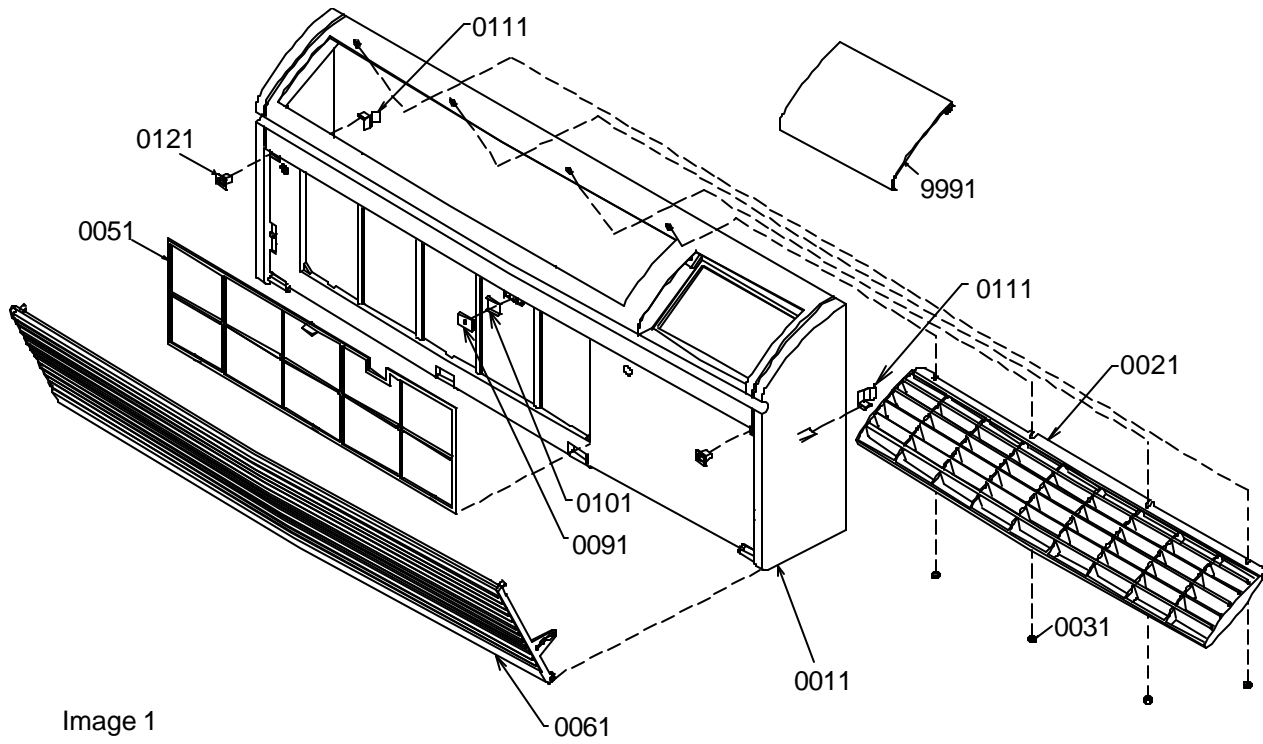
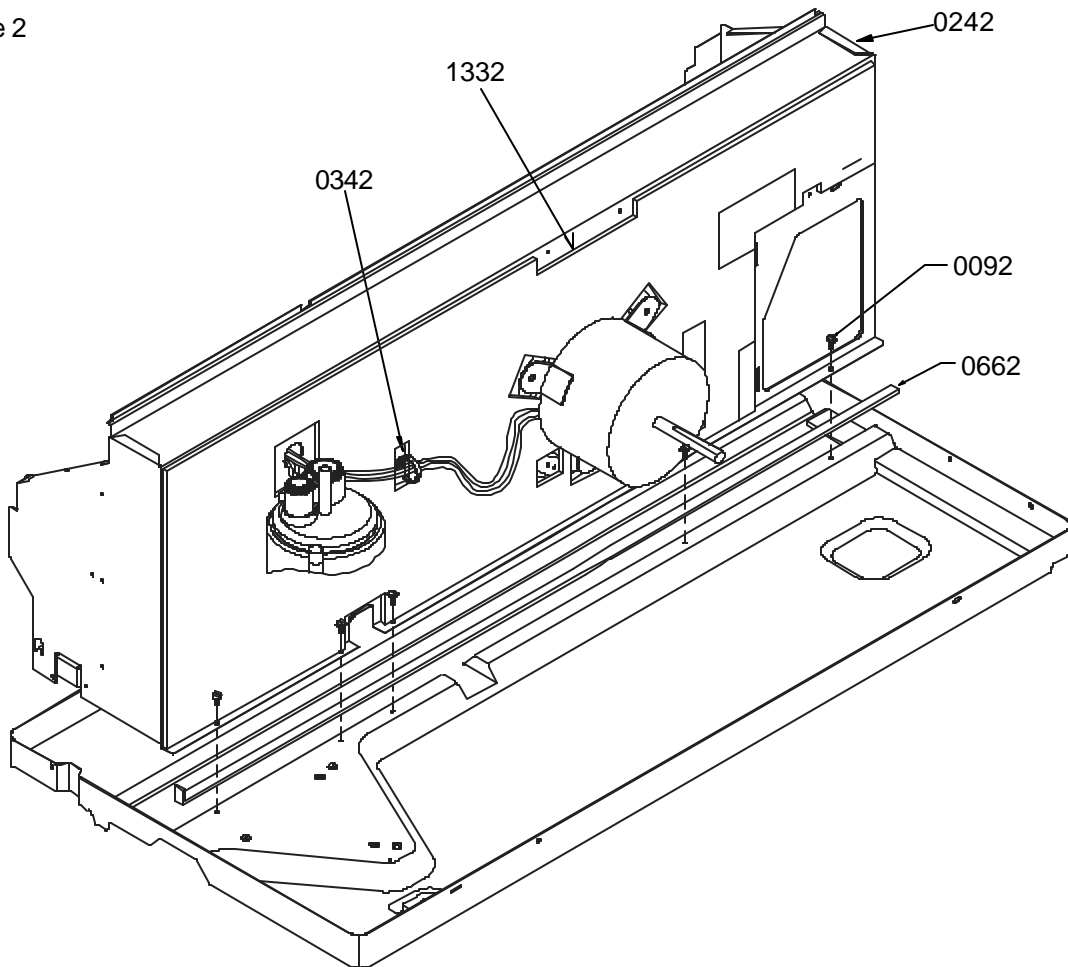


Image 1

Image 2



Front/Chassis

Ref. Part No:	Part No:	Description:	Ref. Part No:	Part No:	Description:
---------------	----------	--------------	---------------	----------	--------------

Image 1:

11	11042701A	FRONT
21	11167401	GRILLE-DISCHARGE
31	M0293604	PALNUT
51	11045201	FILTER
61	20282501	GRILLE ASSY
91	11047301	MAGNET
101	11047201	HOLDER-MAGNET
111	11045102	CLIP-SIDE
121	10690002	DOOR CATCH ASSY
9991	11043003A	DOOR-CONTROL PANEL

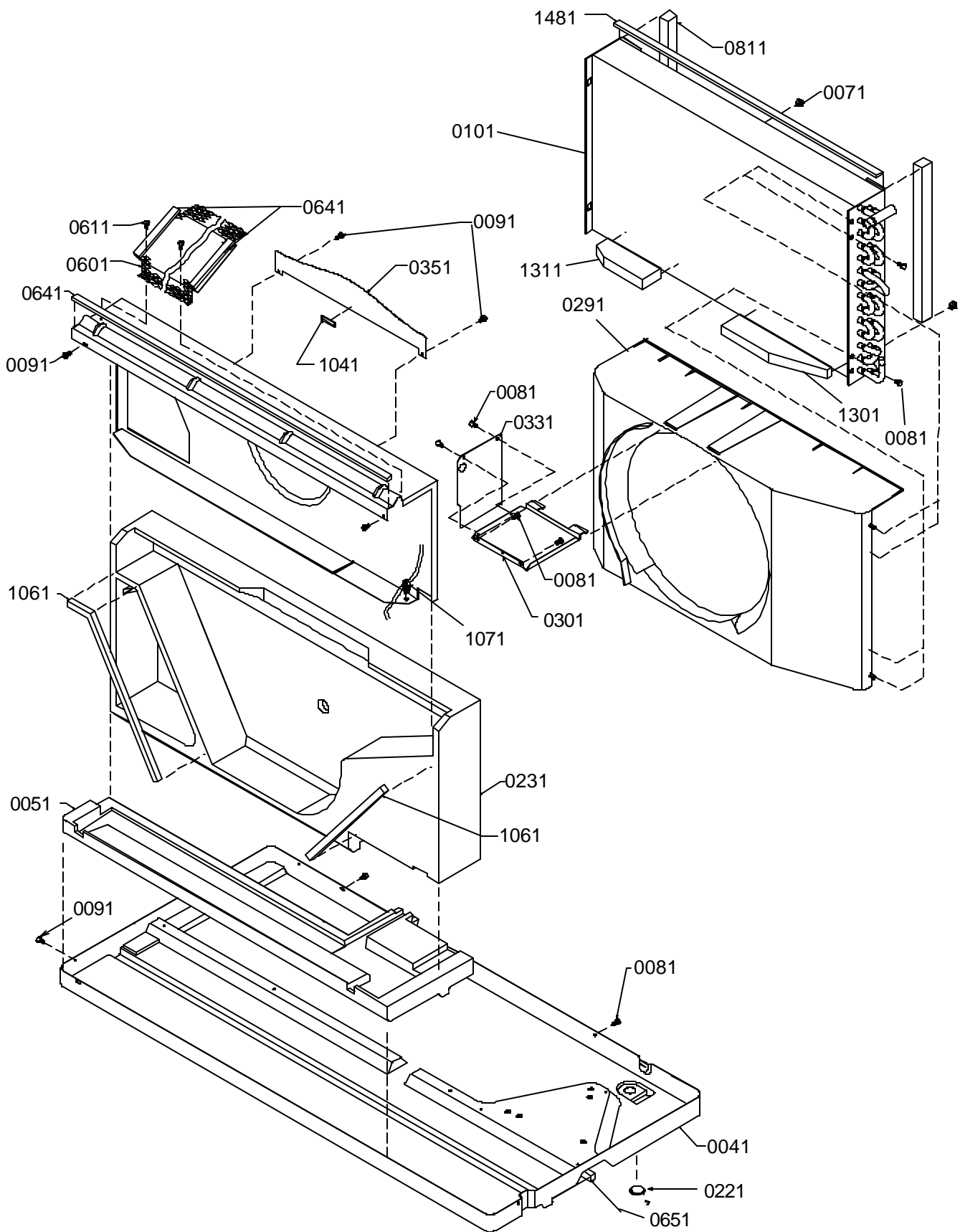
Image 2:

92	M0216716	SCREW-SM (QTY AR)
662	10839823	GASKET 41.00X.50
1332	20208601	INSUL-PARTITION PNL

Expanded Model and Color Nomenclature

M1 - NTE07A35C4B	P1232745R
M2 - NTE09A35C4B	P1232748R
M3 - NTE12A35C4B	P1232751R
M4 - NTE15A35C4B	P1232755R

Chassis



Chassis

Ref. Part No:	Ref. Part No:	Description:	Description:
---------------	---------------	--------------	--------------

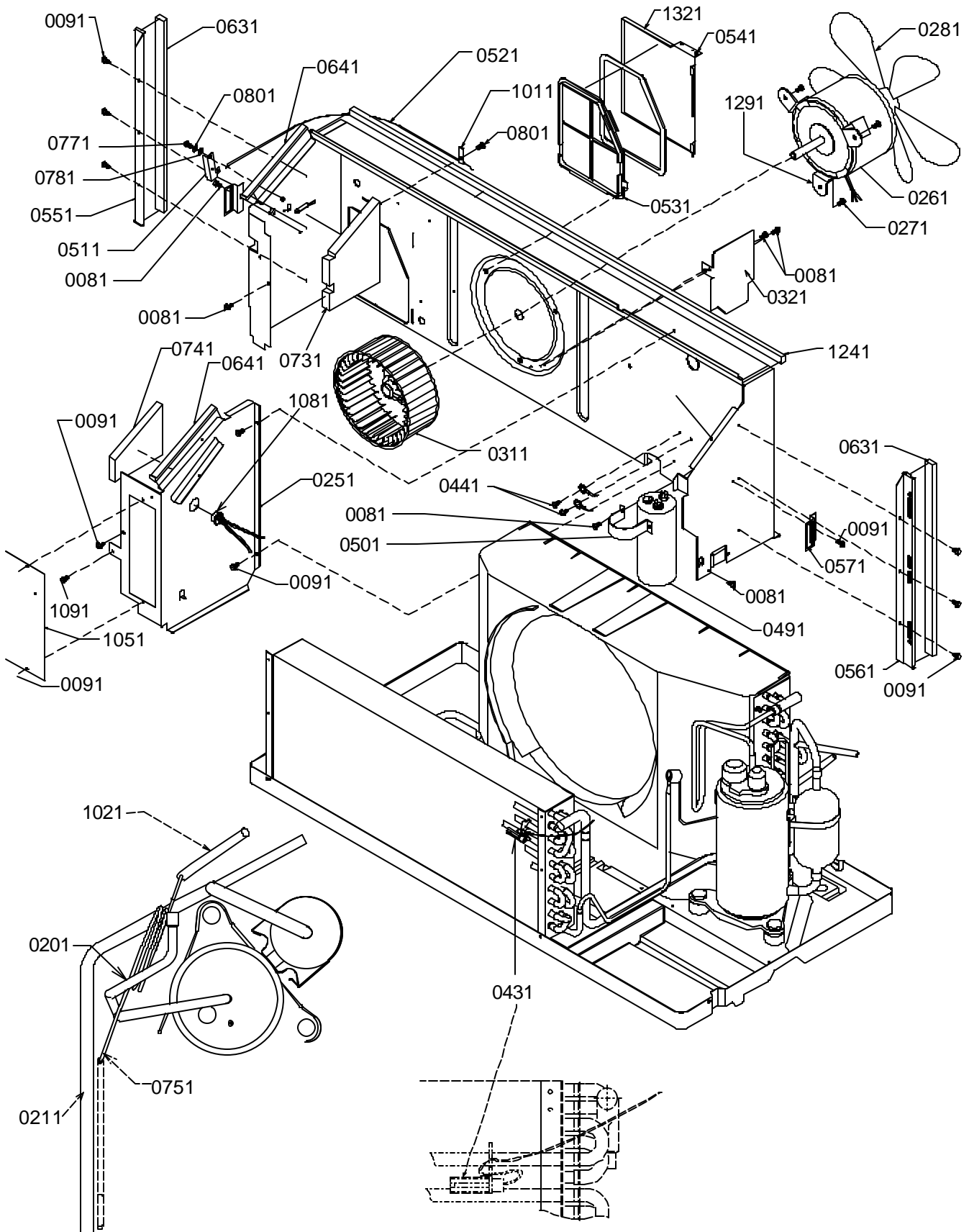
Image 1:

51	11044702	PAD-EVAPORATOR
71	A3315701	GROMMET
81	M0211216	SCREW-SM (QTY AR)
91	M0216716	SCREW-SM (QTY AR)
221	A3080003	PLUG-BUTTON
231	11045802	SCROLL-BLOWER
291	11167301	SHROUD-CONDENSER
611	M0204517	SCREW-SM STL ZINC
651	10839808	GASKET-CROSS LINK (QTY AR)
811	10839712	GASKET .625 X .750 (QTY AR)
1061	10839706	GASKET .500 X .500 (QTY AR)
1071	M0120801	CLIP-GUIDE
1481	10839822	GASKET 24.25X.50

Expanded Model and Color Nomenclature

M1 - NTE07A35C4B	P1232745R
M2 - NTE09A35C4B	P1232748R
M3 - NTE12A35C4B	P1232751R
M4 - NTE15A35C4B	P1232755R

Chassis



Chassis

Ref. Part No:	Part No:	Description:	Ref. Part No:	Part No:	Description:
---------------	----------	--------------	---------------	----------	--------------

Image 1:

81	M0211216	SCREW-SM (QTY AR)
91	M0216716	SCREW-SM (QTY AR)
251	11167504	PANEL-MID PART
261	11114908	MOTOR-FAN (M1, M2)
261	11114910	MOTOR-FAN (M3, M4)
271	M0224956	SCREW-TAP R
281	20046501	FAN-PL. COND.
311	11044101	WHEEL-BLOWER
431	20075601	CLIP-T*STAT
441	M0227803	SCREW-TC
491	D6789025	CAPACITOR-METAL (M4)
491	D6789060	CAPACITOR-ROUND (M3)
491	D6789063	CAPACITOR-ROUND (M1, M2)
501	C6300502	STRAP-CAPACITOR CO (M1, M2, M3)
501	C6300503	STRAP-CAPACITOR CO (M4)
511	11046302	LEVER ARM
521	11115401	CABLE
551	11044902	SEAL-L SIDE
561	11044901	SEAL-R SIDE
631	10839807	GASKET-CROSS LINK (QTY AR)
641	10839705	GASKET .500 X .250 (QTY AR)
731	11122901	INSUL-LEFT
741	11123001	INSUL-RIGHT
771	M0220757	SCREW-SHLDR (QTY AR)
781	M0273701	WASHER-SPRING (QTY AR)
1011	M0108103	CLAMP-TUBE
1051	11167602	COVER-ACCESS
1091	M0216529	SCREW-SM
1241	10839814	GASKET-CROSS LINK (QTY AR)
1321	M0238833	SCREW-SHLDR

Expanded Model and Color Nomenclature

M1 - NTE07A35C4B	P1232745R
M2 - NTE09A35C4B	P1232748R
M3 - NTE12A35C4B	P1232751R
M4 - NTE15A35C4B	P1232755R

Compressor/Tubing

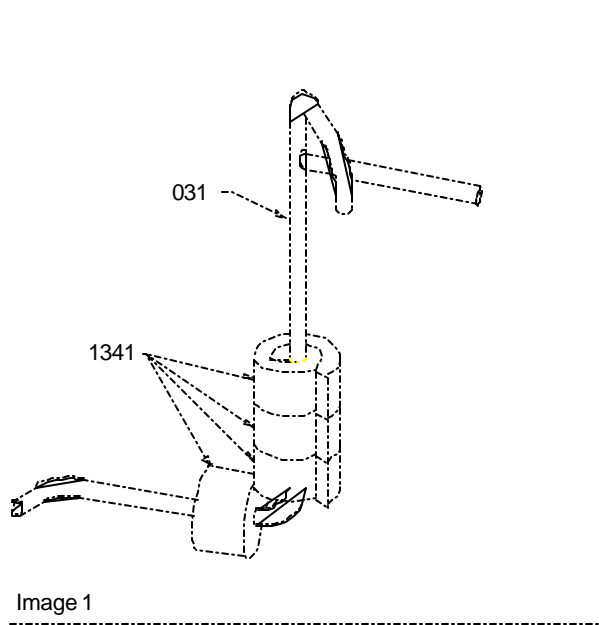
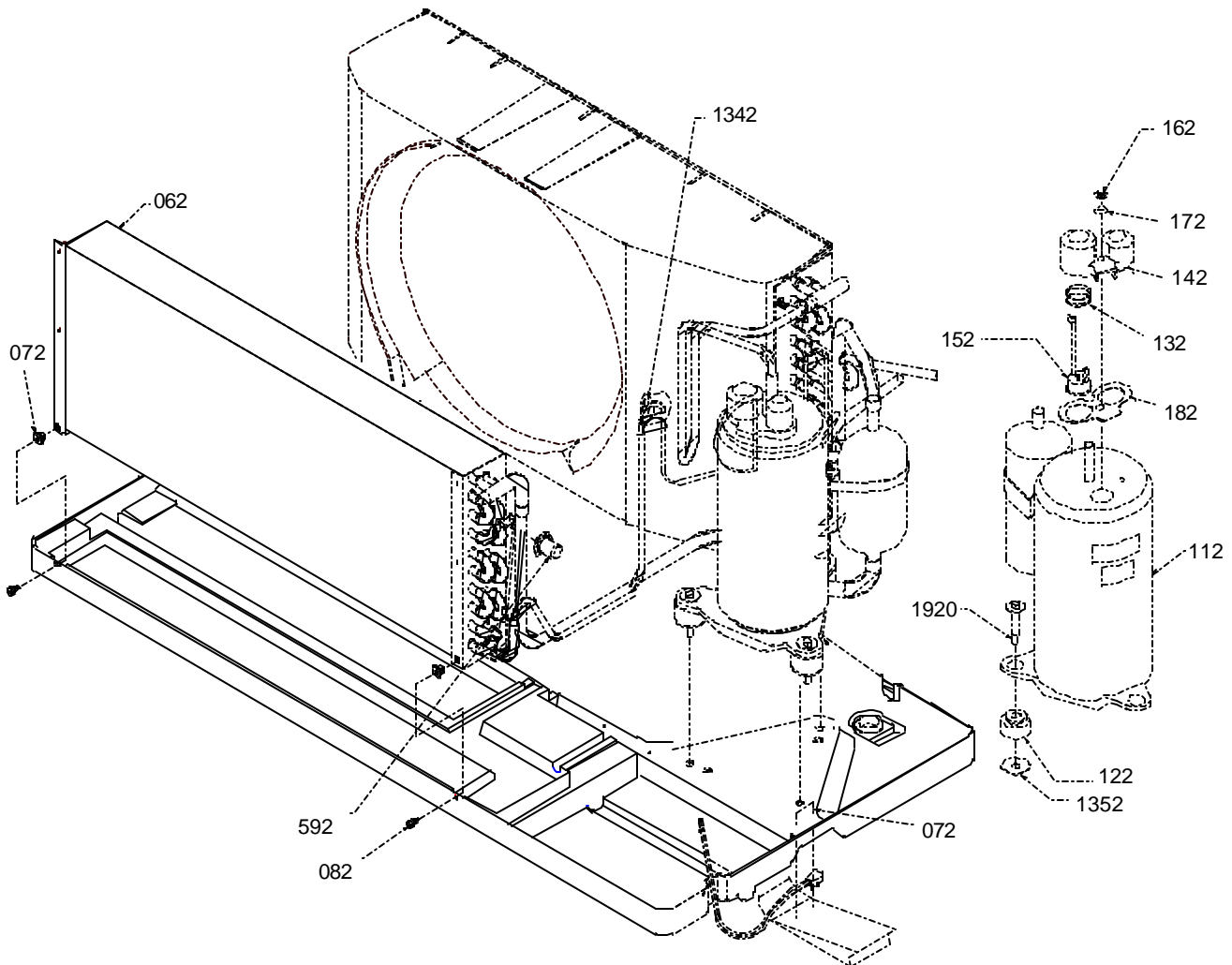


Image 1

Image 2



Compressor/Tubing

Ref. Part No:	Part No:	Description:	Ref. Part No:	Part No:	Description:
---------------	----------	--------------	---------------	----------	--------------

Image 1:

31	11144601	TUBE-SUCTION
1341	11154803	SEALER-RUBBER BASED

Image 2:

62	11165603	EVAP ASSY (M3, M4)
62	11165703	EVAP ASSY (M2)
62	11165803	EVAP ASSY (M1)
72	A3315701	GROMMET
112	D6926117	COMP-PN 2K21S3R276A (M4)
112	D6985810	COMP-PN 2P17S3R276A (M3)
112	D6887710	COMP-PN 2R10S3R276A (M1)
112	D6887712	COMP-PN 2R13S3R276A (M2)
122	A3448601	GROMMET (M3, M4)
122	A4622801	GROMMET (M1, M2)
132	A3436901	SPRING-OVERLOAD
142	20120101	CAP-COMP TERM COVER
152	D6961637	OVERLOAD (M1)
152	D6961642	OVERLOAD (M2)
152	D6961643	OVERLOAD (M3)
152	D6961657	OVERLOAD (M4)
162	A3436601	NUT-TERM COVER
172	A3436801	GASKET-NUT
182	A3436701	GASKET-TERM COVER
592	20295702	DISC-THERMOSTAT
1342	11154803	SEALER-RUBBER BASED (M1, M2)
1342	11154803	SEALER-RUBBER BASED (M3, M4)
1922	M0253610	SCREW-SHLDR (M3, M4)
1922	M0253661	SCREW-SHLDR (M1, M2)

Expanded Model and Color Nomenclature

M1 - NTE07A35C4B	P1232745R
M2 - NTE09A35C4B	P1232748R
M3 - NTE12A35C4B	P1232751R
M4 - NTE15A35C4B	P1232755R

Heater

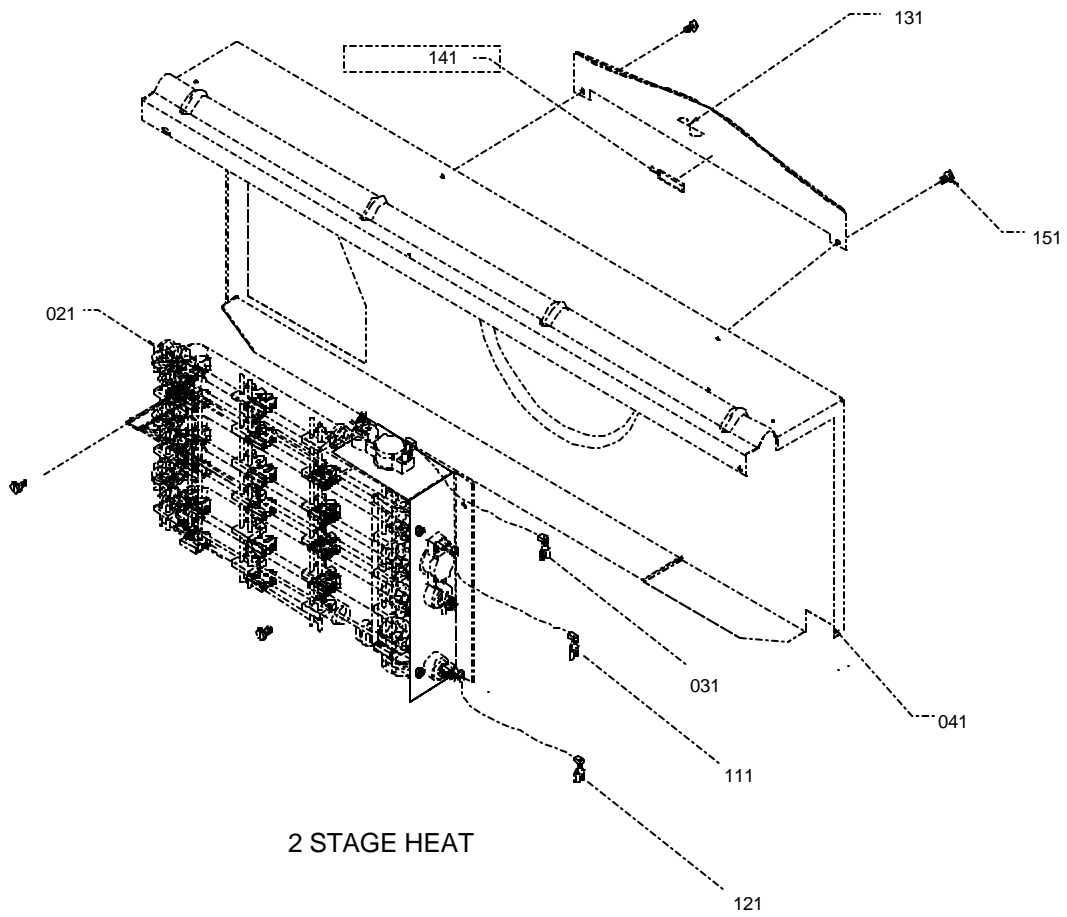
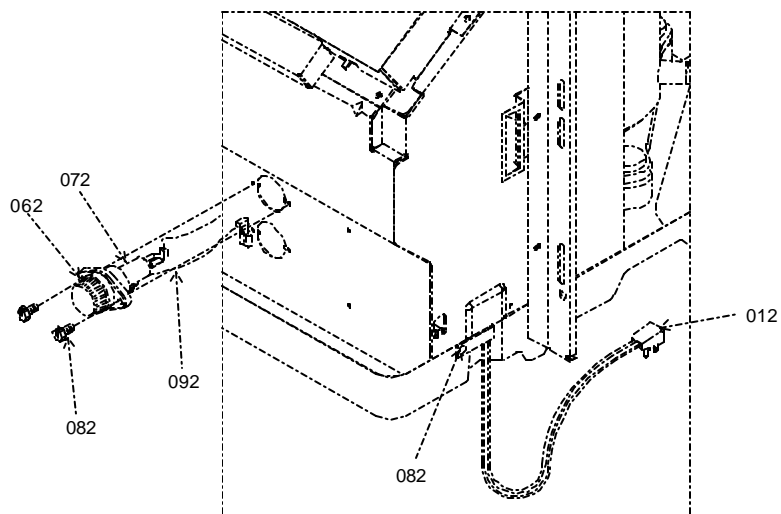


Image 1

Image 2



Heater

Ref. Part No:	No:	Description:	Ref. Part No:	No:	Description:
---------------	-----	--------------	---------------	-----	--------------

Image 1:

21	20252008	HTR 4 3.7KW ASSY
51	M0216716	SCREW-SM
101	M0103906	CLAMP-SPEED
151	M0216716	SCREW-SM

Image 2:

12	11114701	CORD-277V-20A
62	C6476002	HOLDER-BAYONET FUSE
72	A3410403	FUSE-20A
82	M0213817	SCREW-SM
92	10618850	WIRE-JUMPER BK18

Expanded Model and Color Nomenclature

M1 - NTE07A35C4B	P1232745R
M2 - NTE09A35C4B	P1232748R
M3 - NTE12A35C4B	P1232751R
M4 - NTE15A35C4B	P1232755R

Control Panel

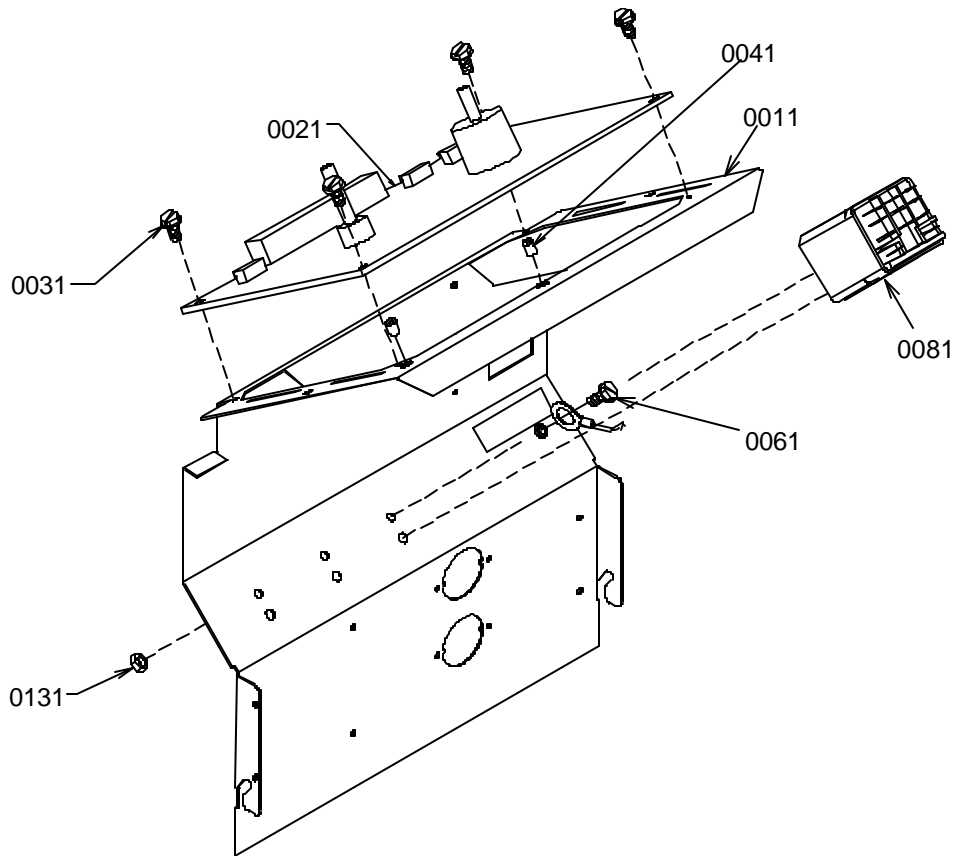
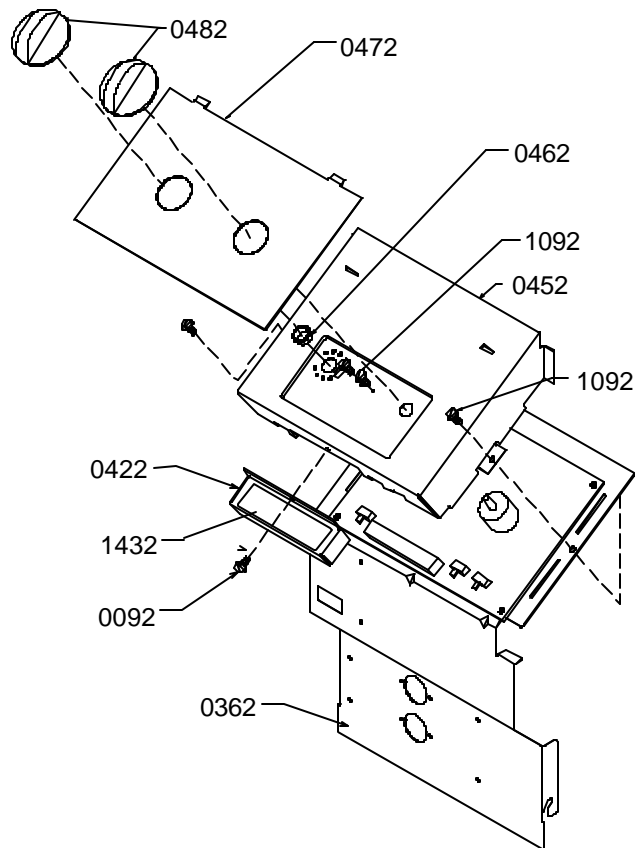


Image 1

Image 2



Control Panel

Ref. Part No:	Part No:	Description:	Ref. Part No:	Part No:	Description:
---------------	----------	--------------	---------------	----------	--------------

Image 1:

11	11044504	PANEL-CONTROL
21	20295602	PC BOARD
31	M0216529	SCREW-SM
31	M0253217	SCREW-TF
41	M0590702	SUPPORT
51	10618849	WIRE-JUMPER GN1
61	M0227803	SCREW-TC
1091	M0216529	SCREW-SM

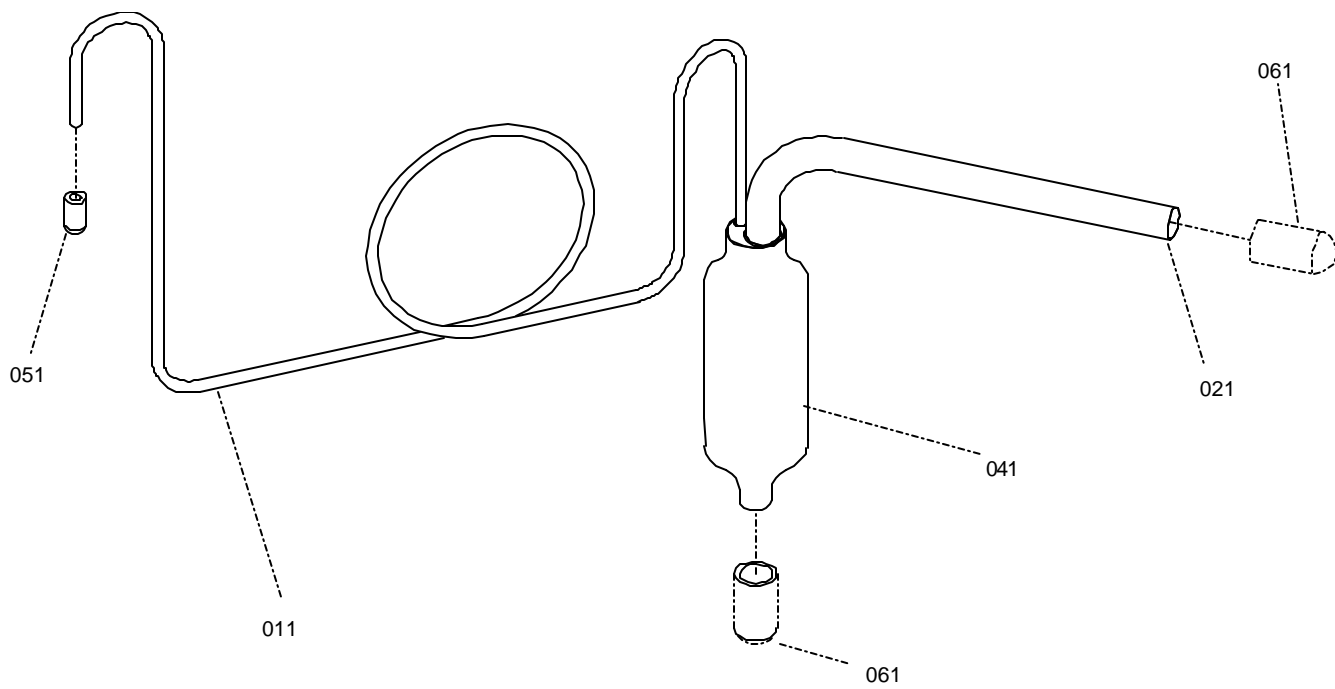
Image 2:

432	20295701	INDOOR AMBIENT THERMISTOR
452	11044403	COVER-CONT PANEL
462	M0117902	CLIP-TUBULAR
462	M0117902	CLIP-TUBULAR
472	20005701	PLATE-ESC
472	20005701	PLATE-ESC
482	11042902	KNOB-CONTROL
1092	M0216529	SCREW-SM

Expanded Model and Color Nomenclature

M1 - NTE07A35C4B	P1232745R
M2 - NTE09A35C4B	P1232748R
M3 - NTE12A35C4B	P1232751R
M4 - NTE15A35C4B	P1232755R

Capillary Tubing



Capillary Tubing

Ref. Part

No: No:

Description:

Ref. Part

No: No:

Description:

Image 1:

751	20284901	FILTER DRIER ASSEMBLY (M1)
751	20284902	FILTER DRIER ASSEMBLY (M2)
751	20284904	FILTER DRIER ASSEMBLY (M3)
751	20284906	FILTER DRIER ASSEMBLY (M4)

Expanded Model and Color Nomenclature

M1 - NTE07A35C4B	P1232745R
M2 - NTE09A35C4B	P1232748R
M3 - NTE12A35C4B	P1232751R
M4 - NTE15A35C4B	P1232755R