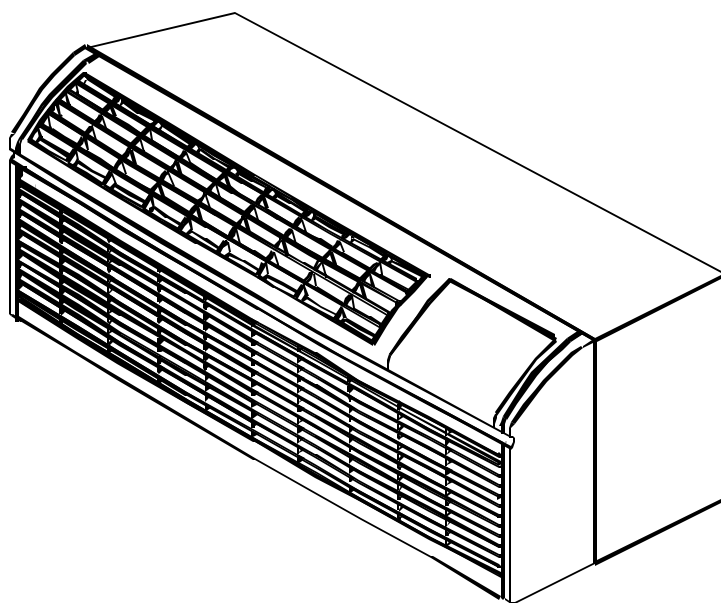


Service Parts

NTE Package Terminal Air Conditioner

This manual replaces RP4210025 Rev. 2.

This manual is to be used by qualified appliance technicians only.



Models and manufacturing numbers in this manual

NTE07A25A3B	P1232729R
NTE07A25A4B	P1232743R
NTE07A35A3B	P1232730R
NTE07A35A4B	P1232744R
NTE09A25A3B	P1232732R
NTE09A25A4B	P1232746R
NTE09A35A3B	P1232733R
NTE09A35A4B	P1232747R
NTE12A25A3B	P1232735R
NTE12A25A4B	P1232749R
NTE12A35A3B	P1232736R
NTE12A35A4A	P1232722R
NTE12A35A4B	P1232750R
NTE12A50A3B	P1232738R
NTE12A50A4B	P1232752R
NTE15A25A3B	P1232739R
NTE15A25A3B	P1232757R
NTE15A25A4B	P1232753R
NTE15A35A3B	P1232740R
NTE15A35A3B	P1232758R
NTE15A35A4B	P1232754R
NTE15A35C3B	P1232759R
NTE15A50A3B	P1232742R
NTE15A50A3B	P1232760R
NTE15A50A4A	P1232728R
NTE15A50A4B	P1232756R



Amana is a trademark of Maytag Worldwide N.V. and used under license to Goodman Company, L.P. All rights reserved.

RP4210025
Revision 3
February 2004

Copyright © 2003-04 Goodman Company, L.P.

Important Information

Goodman Company, L.P. is not responsible for personal injury or property damage resulting from improper service. Review all service information before beginning repairs.

Warranty service must be performed by an authorized technician, using authorized factory parts. If service is required after the warranty expires, Goodman Company, L.P. also recommends contacting an authorized technician and using authorized factory parts.

For assistance within the U.S.A. contact:

Consumer Affairs Department
Goodman Company, L.P.
7401 Security Way
Houston, Texas 77040
877-254-4729-Telephone
713-863-2382-Facsimile

For assistance outside the U.S.A. contact:

International Division
Goodman Company, L.P.
7401 Security Way
Houston, Texas 77040
713-861-2500-Telephone
713-863-2382-Facsimile

Functional Parts

Part

No: Description:

D6789024	CAPACITOR (M21, M22, M23, M24, M29, M30)
D6789049	CAPACITOR (M8, M9, M10)
D6789051	CAPACITOR (M5, M6, M7, M27, M28)
D6789025	CAPACITOR (M18, M19, M20, M26)
D6789060	CAPACITOR (M15, M16, M17, M25)
D6789054	CAPACITOR (M1, M2, M3, M4)
D6789063	CAPACITOR (M11, M12, M13, M14)
D6926120	COMP 2K21S236C-7A (M21, M22, M23, M24, M29, M30)
D6926116	COMP 2K21S3R236A-7A (M8, M9, M10)
D6926117	COMP-PN 2K21S3R276A (M18, M19, M20, M26)
D6985807	COMP-PN 2P17S3R236A (M5, M6, M7, M27, M28)
D6985810	COMP-PN 2P17S3R276A (M15, M16, M17, M25)
D6887709	COMP-PN 2R10S3R236A (M1, M2)
D6887710	COMP-PN 2R10S3R276A (M11, M12)
D6887711	COMP-PN 2R13S3R236A (M3, M4)
D6887712	COMP-PN 2R13S3R276A (M13, M14)
20007503	COND ASSY (M3, M4, M5, M6, M7, M8, M9, M10, M13, M14, M15, M16, M17, M18, M19, M20, M21, M22, M23, M24, M25, M26, M27, M29)
20007702	COND ASSY (M1, M2, M11, M12)
D9871923	COND ASSY-PNT (M28, M30)
11114401	CORD-250V 15A (M1, M3, M5, M8, M21, M27, M28, M29, M30)
11114501	CORD-250V 20A (M2, M4, M6, M9, M22, M23)
11114601	CORD-250V 30A (M7, M10, M24)
11114801	CORD-277V 30A (M17, M20, M26)
11114701	CORD-277V-20A (M11, M12, M13, M14, M15, M16, M18, M19, M25)
20284902	DRYER-FILTER (M3, M4, M13, M14)
20284906	DRYER-FILTER (M8, M9, M10, M18, M19, M20, M21, M22, M23, M24, M25, M26, M29, M30)
20284904	DRYER-FILTER (M5, M6, M7, M15, M16, M17, M27, M28)
20284901	DRYER-FILTER (M1, M2, M11, M12)
11165803	EVAP ASSY (M1, M2, M11, M12)
11165603	EVAP ASSY (M5, M6, M7, M8, M9, M10, M15, M16, M17, M18, M19, M20, M21, M22, M23, M24, M25, M26, M27, M28, M29, M30)
11165703	EVAP ASSY (M3, M4, M13, M14)
A3410402	FUSE-15A (M11, M13, M15, M18)
A3410403	FUSE-20A (M12, M14, M16, M19, M25)
A3410404	FUSE-25 AMP (M17, M20, M26)
C6476001	HOLDER-BAYONET FUSE (M11, M13, M15, M18)
C6476003	HOLDER-BAYONET FUSE (M17, M20, M26)
C6476002	HOLDER-BAYONET FUSE (M12, M14, M16, M19, M25)
20460612	HTR 3 2.5KW ASSY (M1, M3, M5, M8, M21)
20460613	HTR 3 3.5KW ASSY (M2, M4, M6, M9, M22, M23)
20460615	HTR 3 5.0KW ASSY (M7, M10, M24)
20460607	HTR 4 2.5KW ASSY (M11, M13, M15, M18)
20460608	HTR 4 3.7KW ASSY (M12, M14, M16, M19, M25)
20460610	HTR 4 5.0KW ASSY (M17, M20, M26)
11114909	MOTOR-FAN (M5, M6, M7, M8, M9, M10, M27, M28, M29, M30)
11114907	MOTOR-FAN (M1, M2, M3, M4)
11114910	MOTOR-FAN (M15, M16, M17, M18, M19, M20, M25, M26)
11114908	MOTOR-FAN (M11, M12, M13, M14, M21, M22, M23, M24)
D4976682	OVERLOAD (M21, M22, M23, M24, M29, M30)
D6961657	OVERLOAD (M18, M19, M20, M26)

Functional Parts

Part

No: Description:

D6961639	OVERLOAD (M3, M4)
D6961636	OVERLOAD (M1, M2)
D6961612	OVERLOAD (M5, M6, M7, M27, M28)
D6961607	OVERLOAD (M8, M9, M10)
D6961637	OVERLOAD (M11, M12)
D6961642	OVERLOAD (M13, M14)
D6961643	OVERLOAD (M15, M16, M17, M25)
20295602	PC BOARD (M1, M2, M3, M4, M5, M6, M7, M8, M9, M10, M11, M12, M13, M14, M15, M16, M17, M18, M19, M20, M21, M22, M23, M24, M25, M26)
20475401	PC BOARD (M27, M28, M29, M30)
20295701	THERMISTOR
20295702	THERMISTOR
11044101	WHEEL-BLOWER

Functional Parts

Part

No: Description:

SPECIAL PARTS

11113305 MANUAL-OWNERS
RP4210025 PARTS MANUAL
RS4200003 SERVICE MANUAL
20286101 WARRANTY

Expanded Model and Color Nomenclature

M1 - NTE07A25A3B	P1232729R
M2 - NTE07A35A3B	P1232730R
M3 - NTE09A25A3B	P1232732R
M4 - NTE09A35A3B	P1232733R
M5 - NTE12A25A3B	P1232735R
M6 - NTE12A35A3B	P1232736R
M7 - NTE12A50A3B	P1232738R
M8 - NTE15A25A3B	P1232739R
M9 - NTE15A35A3B	P1232740R
M10 - NTE15A50A3B	P1232742R
M11 - NTE07A25A4B	P1232743R
M12 - NTE07A35A4B	P1232744R
M13 - NTE09A25A4B	P1232746R
M14 - NTE09A35A4B	P1232747R
M15 - NTE12A25A4B	P1232749R
M16 - NTE12A35A4B	P1232750R
M17 - NTE12A50A4B	P1232752R
M18 - NTE15A25A4B	P1232753R
M19 - NTE15A35A4B	P1232754R
M20 - NTE15A50A4B	P1232756R
M21 - NTE15A25A3B	P1232757R
M22 - NTE15A35A3B	P1232758R
M23 - NTE15A35C3B	P1232759R
M24 - NTE15A50A3B	P1232760R
M25 - NTE12A35A4A	P1232722R
M26 - NTE15A50A4A	P1232728R
M27 - NTE12A00A3B	P1232761R
M28 - NTE12A00C3B	P1232762R
M29 - NTE15A00A3B	P1232763R
M30 - NTE15A00C3B	P1232764R

Front/Chassis

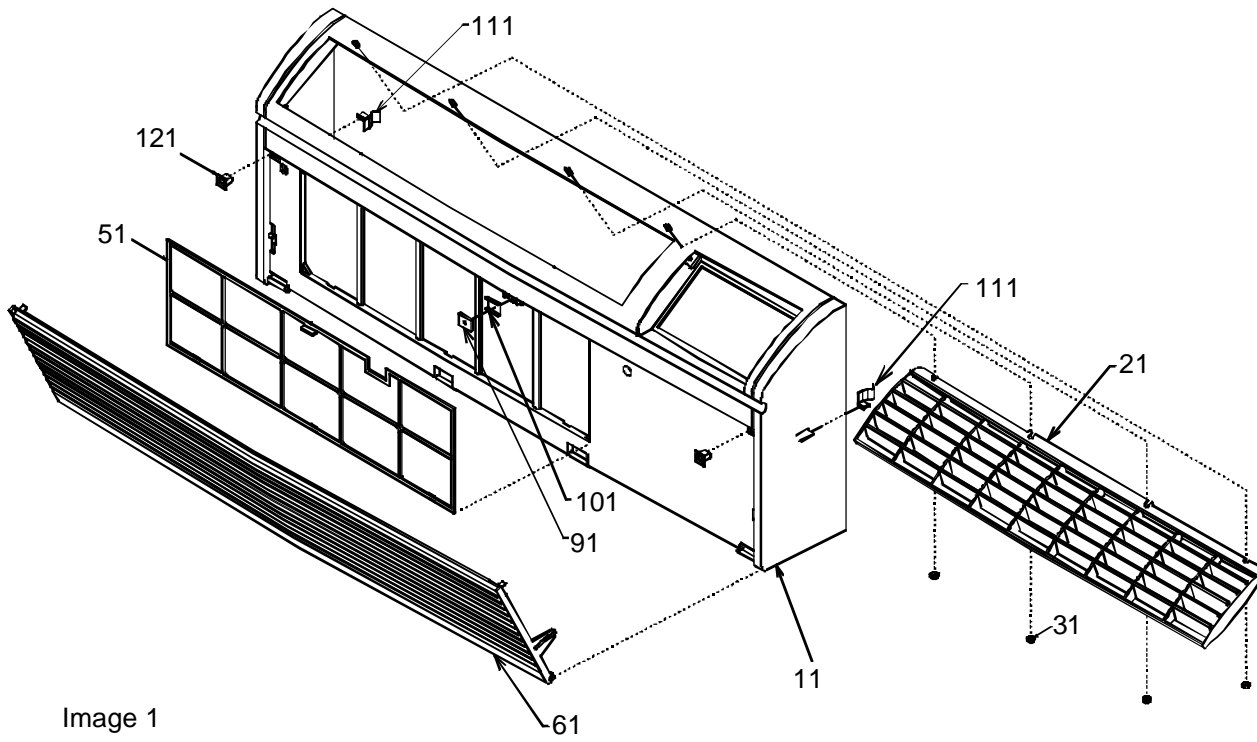
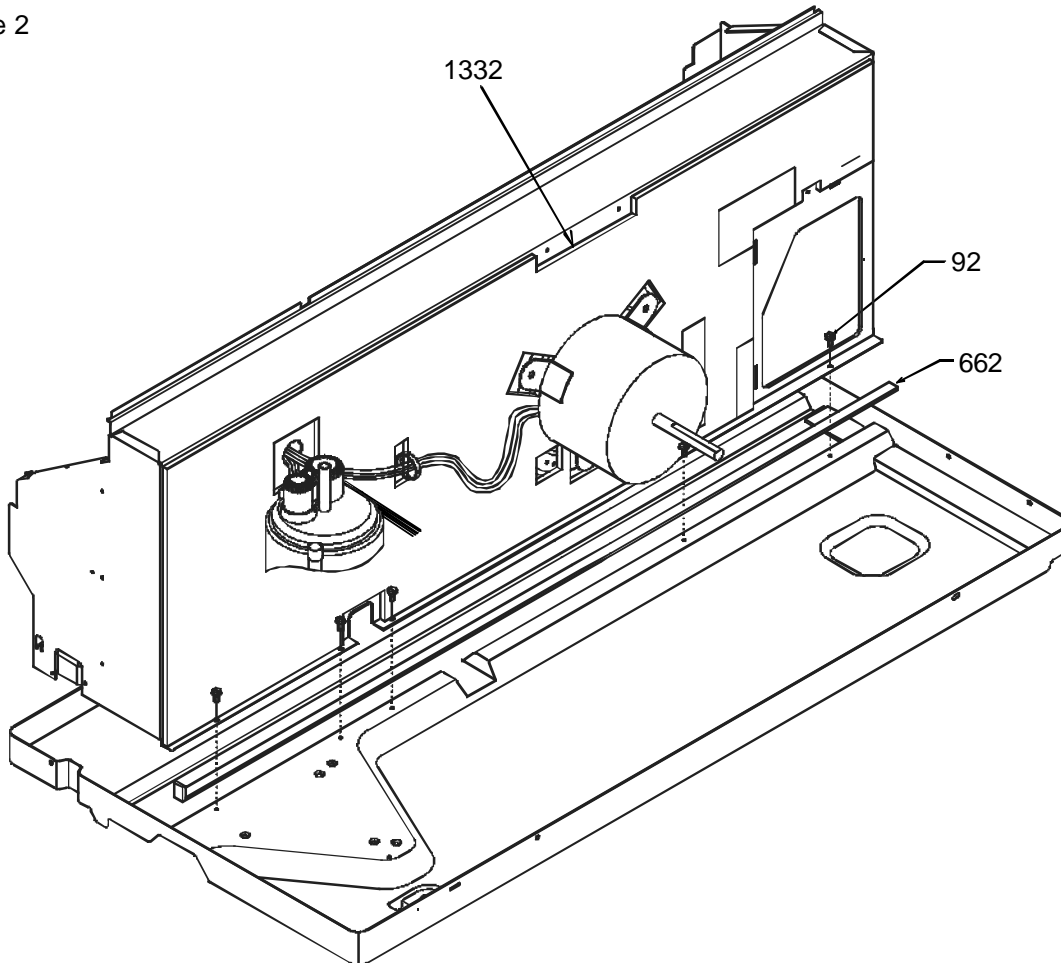


Image 1

Image 2



Front/Chassis

Ref. Part

No: No: Description:

Image 1:

11	11042701	FRONT
21	11167401	GRILLE-DISCHARGE (M1, M2, M3, M4, M5, M6, M7, M8, M9, M10, M11, M12, M13, M14, M15, M16, M17, M18, M19, M20, M21, M22, M23, M24, M25, M26)
21	11042602	GRILLE-INTAKE (M27, M28, M29, M30)
31	M0293604	PALNUT (M1, M2, M3, M4, M5, M6, M7, M8, M9, M10, M11, M12, M13, M14, M15, M16, M17, M18, M19, M20, M21, M22, M23, M24, M25, M26)
51	11045201	FILTER
61	20282501	GRILLE ASSY (M1, M2, M3, M4, M5, M6, M7, M8, M9, M10, M11, M12, M13, M14, M15, M16, M17, M18, M19, M20, M21, M22, M23, M24, M25, M26)
91	11047301	MAGNET (M1, M2, M3, M4, M5, M6, M7, M8, M9, M10, M11, M12, M13, M14, M15, M16, M17, M18, M19, M20, M21, M22, M23, M24, M25, M26, M27, M28, M29)
101	11047201	HOLDER-MAGNET
111	11045102	CLIP-SIDE (QTY 2)
121	10690002	DOOR CATCH ASSY (QTY 2)
NS	11043003A	DOOR-CONTROL PANEL (M27, M28, M29, M30)

Image 2:

92	M0216716	SCREW-SM (QTY AR)
662	10839803	GASKET-.12X.50 (M25, M26)
662	10839823	GASKET-.12X.50X41 (M1, M2, M3, M4, M5, M6, M7, M8, M9, M10, M11, M12, M13, M14, M15, M16, M17, M18, M19, M20, M21, M22, M23, M24, M27, M28, M29, M30)
1332	20208601	INSUL-PARTITION PNL (M1, M2, M3, M4, M5, M6, M7)

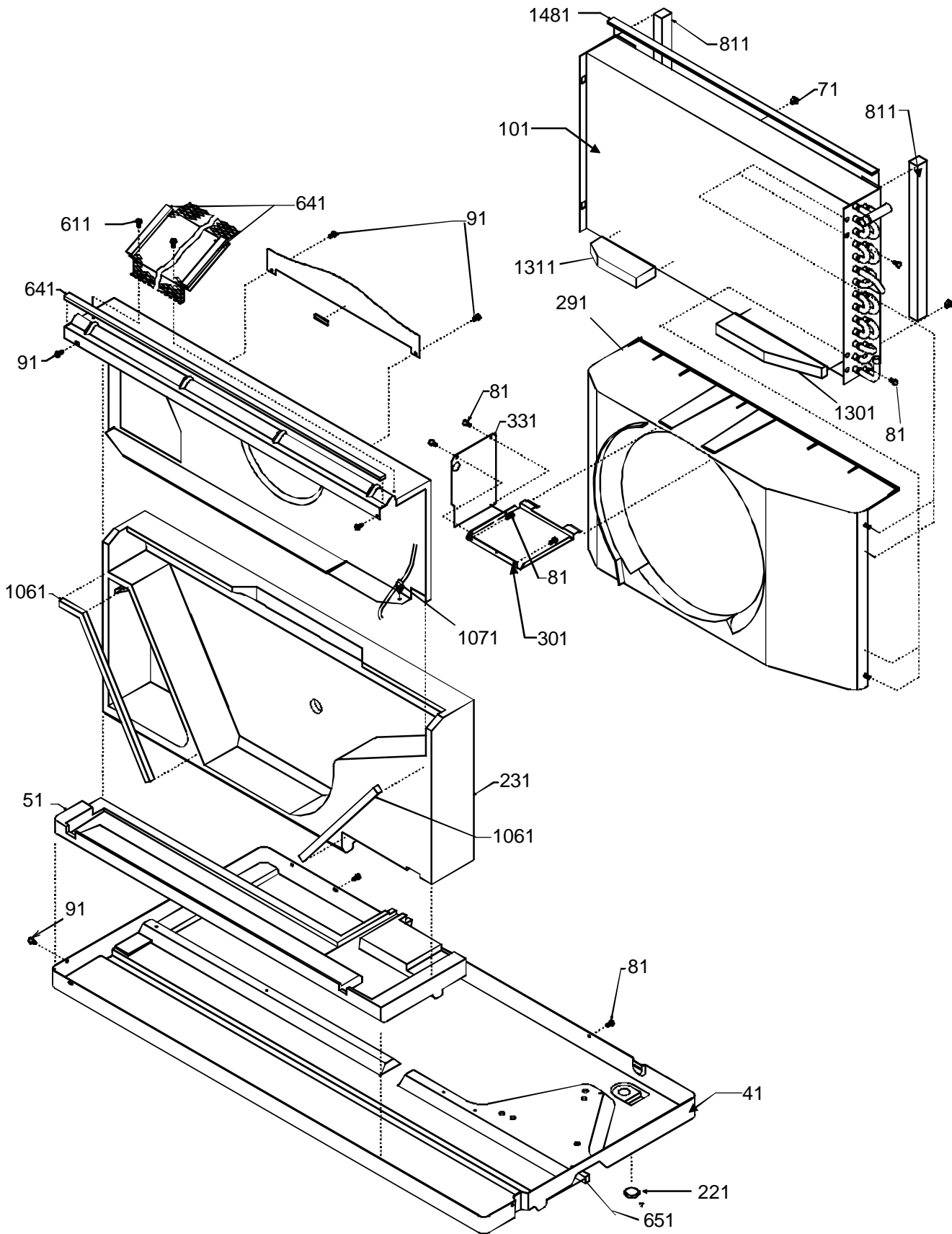
Ref. Part

No: No: Description:

Expanded Model and Color Nomenclature

M1 - NTE07A25A3B	P1232729R
M2 - NTE07A35A3B	P1232730R
M3 - NTE09A25A3B	P1232732R
M4 - NTE09A35A3B	P1232733R
M5 - NTE12A25A3B	P1232735R
M6 - NTE12A35A3B	P1232736R
M7 - NTE12A50A3B	P1232738R
M8 - NTE15A25A3B	P1232739R
M9 - NTE15A35A3B	P1232740R
M10 - NTE15A50A3B	P1232742R
M11 - NTE07A25A4B	P1232743R
M12 - NTE07A35A4B	P1232744R
M13 - NTE09A25A4B	P1232746R
M14 - NTE09A35A4B	P1232747R
M15 - NTE12A25A4B	P1232749R
M16 - NTE12A35A4B	P1232750R
M17 - NTE12A50A4B	P1232752R
M18 - NTE15A25A4B	P1232753R
M19 - NTE15A35A4B	P1232754R
M20 - NTE15A50A4B	P1232756R
M21 - NTE15A25A3B	P1232757R
M22 - NTE15A35A3B	P1232758R
M23 - NTE15A35C3B	P1232759R
M24 - NTE15A50A3B	P1232760R
M25 - NTE12A35A4A	P1232722R
M26 - NTE15A50A4A	P1232728R
M27 - NTE12A00A3B	P1232761R
M28 - NTE12A00C3B	P1232762R
M29 - NTE15A00A3B	P1232763R
M30 - NTE15A00C3B	P1232764R

Chassis



Chassis

**Ref. Part
No: No:**

Description:

**Ref. Part
No: No:**

Description:

Image 1:

41	11042510	BASEPAN-PNT (M1, M2, M3, M4, M5, M6, M7, M8, M9, M10, M11, M12, M13, M14, M15, M16, M17, M18, M19, M20, M21, M22, M24, M25, M26, M27, M29)
41	11042511	BASEPAN-PNT (M23, M28, M30)
51	11044702	PAD-EVAP
71	A3315701	GROMMET (QTY 4)
81	M0211216	SCREW-SM (QTY AR)
91	M0216716	SCREW-SM (QTY AR)
101	20007503	COND ASSY (M3, M4, M5, M6, M7, M8, M9, M10, M13, M14, M15, M16, M17, M18, M19, M20, M21, M22, M23, M24, M25, M26, M27, M29)
101	20007702	COND ASSY (M1, M2, M11, M12)
101	D9871923	COND ASSY-PNT (M28, M30)
221	A3080003	PLUG-BUTTON
231	11045802	SCROLL-BLOWER (M1, M2, M3, M4, M5, M6, M7, M8, M9, M10, M11, M12, M13, M14, M15, M16, M17, M18, M19, M20, M21, M22, M23, M24, M25, M26)
231	11045803	SCROLL-BLOWER (M27, M28, M29, M30)
291	11167301	SHROUD-COND
301	11044201	BRACE-TIE (M1, M2, M3, M4, M5, M6, M7, M8, M9, M10, M11, M12, M13, M14, M15, M16, M17, M18, M19, M20, M21, M22, M24, M25, M26, M27, M29)
301	11044202	TIE BRACE-PNT (M23, M28, M30)
331	11046502	BAFFLE-PNT TOP (M23, M28, M30)
331	11046501	BAFFLE-TOP (M1, M2, M3, M4, M5, M6, M7, M8, M9, M10, M11, M12, M13, M14, M15, M16, M17, M18, M19, M20, M21, M22, M24, M25, M26, M27, M29)
611	M0204517	SCREW-SM STL ZINC (QTY AR)
641	10839705	GASKET .50X.25 (QTY AR)
651	10839808	GASKET-.37X.50 (QTY AR)
811	10839712	GASKET .62X.75 (QTY AR)
1061	10839706	GASKET .50X.50 (QTY AR)
1071	M0120801	CLIP-GUIDE
1301	20189701	INSUL-COND RH (M1, M2, M3, M4, M5, M6, M7, M8, M9, M10, M11, M12, M13, M14, M15, M16, M17, M18, M19, M20)
1311	20189801	INSUL-COND LH (M1, M2, M3, M4, M5, M6, M7, M8, M9, M10, M11, M12, M13, M14, M15, M16, M17, M18, M19, M20)
1481	10839822	GASKET-24.25X.50 (QTY AR)

Expanded Model and Color Nomenclature

M1 - NTE07A25A3B	P1232729R
M2 - NTE07A35A3B	P1232730R
M3 - NTE09A25A3B	P1232732R
M4 - NTE09A35A3B	P1232733R
M5 - NTE12A25A3B	P1232735R
M6 - NTE12A35A3B	P1232736R
M7 - NTE12A50A3B	P1232738R
M8 - NTE15A25A3B	P1232739R
M9 - NTE15A35A3B	P1232740R
M10 - NTE15A50A3B	P1232742R
M11 - NTE07A25A4B	P1232743R
M12 - NTE07A35A4B	P1232744R
M13 - NTE09A25A4B	P1232746R
M14 - NTE09A35A4B	P1232747R
M15 - NTE12A25A4B	P1232749R
M16 - NTE12A35A4B	P1232750R
M17 - NTE12A50A4B	P1232752R
M18 - NTE15A25A4B	P1232753R
M19 - NTE15A35A4B	P1232754R
M20 - NTE15A50A4B	P1232756R
M21 - NTE15A25A3B	P1232757R
M22 - NTE15A35A3B	P1232758R
M23 - NTE15A35C3B	P1232759R
M24 - NTE15A50A3B	P1232760R
M25 - NTE12A35A4A	P1232722R
M26 - NTE15A50A4A	P1232728R
M27 - NTE12A00A3B	P1232761R
M28 - NTE12A00C3B	P1232762R
M29 - NTE15A00A3B	P1232763R
M30 - NTE15A00C3B	P1232764R

Chassis

**Ref. Part
No: No:**

Description:

**Ref. Part
No: No:**

Description:

Image 1:

81	M0211216	SCREW-SM (QTY AR)
91	M0216716	SCREW-SM (QTY AR)
251	11167504	PANEL-MID PTN
261	11114907	MOTOR-FAN (M1, M2, M3, M4)
261	11114908	MOTOR-FAN (M11, M12, M13, M14, M21, M22, M23, M24)
261	11114909	MOTOR-FAN (M5, M6, M7, M8, M9, M10, M27, M28, M29, M30)
261	11114910	MOTOR-FAN (M15, M16, M17, M18, M19, M20, M25, M26)
271	M0224956	SCREW-TAP R (QTY AR)
281	20046501	FAN-PL. COND.
311	11044101	WHEEL-BLOWER
321	20245401	BAFFLE-COND INLT (M1, M2, M3, M4, M5, M6, M7, M8, M9, M10, M11, M12, M13, M14, M15, M16, M17, M18, M19, M20, M21, M22, M24, M25, M26, M27, M29)
321	20245402	BAFFLE-PNT COND (M23, M28, M30)
431	20075601	CLIP-T'STAT (QTY AR)
441	M0227803	SCREW-TC (QTY AR)
491	D6789024	CAPACITOR (M21, M22, M23, M24, M29, M30)
491	D6789025	CAPACITOR (M18, M19, M20, M26)
491	D6789049	CAPACITOR (M8, M9, M10)
491	D6789051	CAPACITOR (M5, M6, M7, M27, M28)
491	D6789054	CAPACITOR (M1, M2, M3, M4)
491	D6789060	CAPACITOR (M15, M16, M17, M25)
491	D6789063	CAPACITOR (M11, M12, M13, M14)
501	C6300502	STRAP-CAP (M1, M2, M3, M4, M5, M6, M7, M8, M9, M10, M11, M12, M13, M14, M15, M16, M17, M25, M27, M28)
501	C6300503	STRAP-CAP (M18, M19, M20, M21, M22, M23, M24, M26, M29, M30)
511	11046302	LEVER ARM (M1, M2, M3, M4, M5, M6, M7, M8, M9, M10, M11, M12, M13, M14, M15, M16, M17, M18, M19, M20)
521	11115401	CABLE (M1, M2, M3, M4, M5, M6, M7, M8, M9, M10)
531	20304002	SHIELD-PNT PROT (M23, M28, M30)
531	20304001	SHIELD-PROTECTION (M1, M2, M3, M4, M5, M6, M7, M8, M9, M10, M11, M12, M13, M14, M15, M16, M17, M18, M19, M20, M21, M22, M24, M25, M26, M27, M29)
541	20295302	DOOR-PNT IOP VNT (M23, M28, M30)
541	20295301	DOOR-VENT IOP (M1, M2, M3, M4, M5, M6, M7, M8, M9, M10, M11, M12, M13, M14, M15, M16, M17, M18, M19, M20, M21, M22, M24, M25, M26, M27, M29)
551	11044902	SEAL-L SIDE
561	11044901	SEAL-R SIDE
571	11191702	BRACKET-PTN PNL (M1, M2, M3, M4, M5, M6, M7, M8, M9, M10, M11, M12, M13, M14, M15, M16, M17, M18, M19, M20, M21, M22, M23, M24, M25, M26)
571	11191703	BRKT-PART PAN (M27, M28, M29, M30)
631	10839807	GASKET-.37X.75 (QTY AR)
641	10839705	GASKET .50X.25 (QTY AR)
731	11122901	INSUL-LEFT
741	11123001	INSUL-RIGHT
771	M0220757	SCREW-SHLDR (M1, M2, M3, M4, M5, M6, M7, M8, M9, M10, M11, M12, M13, M14, M15, M16, M17, M18, M19, M20, M21, M22, M23, M24, M25, M26)
781	M0273701	WASHER-SPRING (M1, M2, M3, M4, M5, M6, M7, M8, M9, M10, M11, M12, M13, M14, M15, M16, M17, M18, M19, M20)
801	M0270529	WASHER-FLAT (M1, M2, M3, M4, M5, M6, M7, M8, M9, M10, M11, M12, M13, M14, M15, M16, M17, M18, M19, M20)

1011	M0108103	CLAMP-TUBE (M1, M2, M3, M4, M5, M6, M7, M8, M9, M10, M11, M12, M13, M14, M15, M16, M17, M18, M19, M20, M22, M23, M24)
1051	11167602	COVER-ACCESS
1081	A4554801	BUSHING-SNAP (M1, M2, M3, M4, M5, M6, M7, M8, M9, M10, M11, M12, M13, M14, M15, M16, M17, M18, M19, M20)
1091	M0216529	SCREW-SM (QTY AR)
1241	10839814	GASKET-.50X.50 (QTY AR)
1321	M0238833	SCREW-SHLDR (M1, M2, M3, M4, M5, M6, M7, M8, M9, M10, M11, M12, M13, M14, M15, M16, M17, M18, M19, M20)
1361	M0211016	SCREW-SM #8-3/8LG (QTY AR)
1371	M0270544	WASHER-FLAT (QTY 2)

Expanded Model and Color Nomenclature

M1 - NTE07A25A3B	P1232729R
M2 - NTE07A35A3B	P1232730R
M3 - NTE09A25A3B	P1232732R
M4 - NTE09A35A3B	P1232733R
M5 - NTE12A25A3B	P1232735R
M6 - NTE12A35A3B	P1232736R
M7 - NTE12A50A3B	P1232738R
M8 - NTE15A25A3B	P1232739R
M9 - NTE15A35A3B	P1232740R
M10 - NTE15A50A3B	P1232742R
M11 - NTE07A25A4B	P1232743R
M12 - NTE07A35A4B	P1232744R
M13 - NTE09A25A4B	P1232746R
M14 - NTE09A35A4B	P1232747R
M15 - NTE12A25A4B	P1232749R
M16 - NTE12A35A4B	P1232750R
M17 - NTE12A50A4B	P1232752R
M18 - NTE15A25A4B	P1232753R
M19 - NTE15A35A4B	P1232754R
M20 - NTE15A50A4B	P1232756R
M21 - NTE15A25A3B	P1232757R
M22 - NTE15A35A3B	P1232758R
M23 - NTE15A35C3B	P1232759R
M24 - NTE15A50A3B	P1232760R
M25 - NTE12A35A4A	P1232722R
M26 - NTE15A50A4A	P1232728R
M27 - NTE12A00A3B	P1232761R
M28 - NTE12A00C3B	P1232762R
M29 - NTE15A00A3B	P1232763R
M30 - NTE15A00C3B	P1232764R

Compressor/Tubing

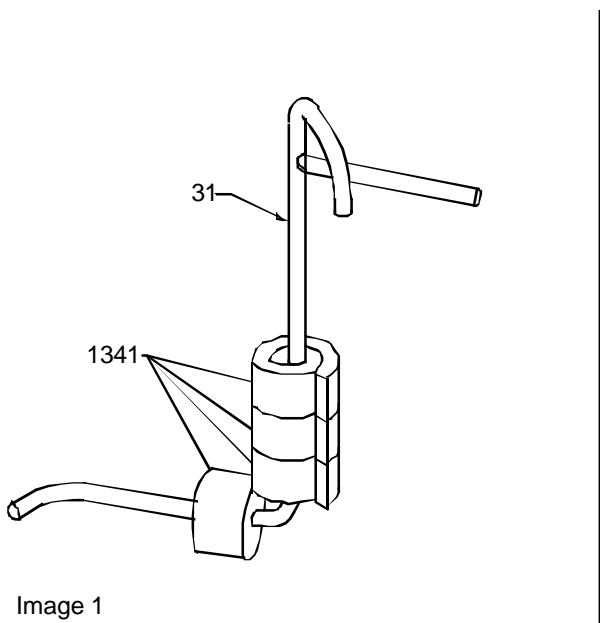
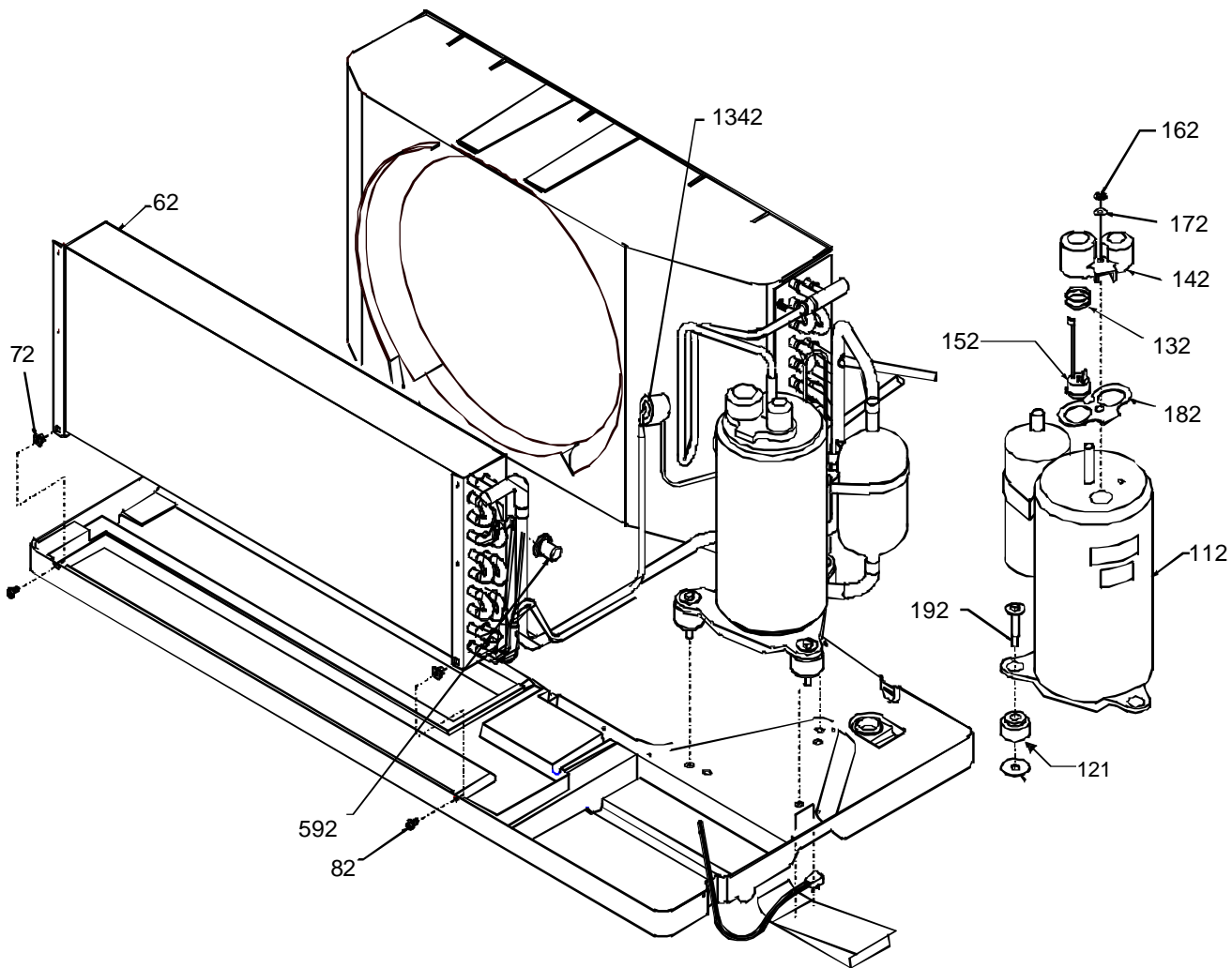


Image 1

Image 2



Compressor/Tubing

Ref. Part

No: No: Description:

Image 1:

31	11194301	TUBE-SUCT (M3, M4, M13, M14)
31	11144601	TUBE-SUCTION (M5, M6, M7, M8, M9, M10, M15, M16, M17, M18, M19, M20, M21, M22, M23, M24, M25, M26, M27, M28, M29, M30)
31	11194101	TUBE-SUCTION (M1, M2, M11, M12)
121	A3448601	GROMMET (M5, M6, M7, M8, M9, M10, M15, M16, M17, M18, M19, M20, M21, M22, M23, M24, M25, M26, M27, M28, M29, M30)
121	A4622801	GROMMET (M1, M2, M3, M4, M11, M12, M13, M14)
1341	11154803	SEALER-RUBBER BASED (QTY AR)

Image 2:

62	11165603	EVAP ASSY (M5, M6, M7, M8, M9, M10, M15, M16, M17, M18, M19, M20, M21, M22, M23, M24, M25, M26, M27, M28, M29, M30)
62	11165703	EVAP ASSY (M3, M4, M13, M14)
62	11165803	EVAP ASSY (M1, M2, M11, M12)
72	A3315701	GROMMET (QTY 4)
82	M0211216	SCREW-SM (QTY AR)
112	D6926120	COMP 2K21S236C-7A (M21, M22, M23, M24, M29, M30)
112	D6926116	COMP 2K21S3R236A-7A (M8, M9, M10)
112	D6926117	COMP-PN 2K21S3R276A (M18, M19, M20, M26)
112	D6985807	COMP-PN 2P17S3R236A (M5, M6, M7, M27, M28)
112	D6985810	COMP-PN 2P17S3R276A (M15, M16, M17, M25)
112	D6887709	COMP-PN 2R10S3R236A (M1, M2)
112	D6887710	COMP-PN 2R10S3R276A (M11, M12)
112	D6887711	COMP-PN 2R13S3R236A (M3, M4)
112	D6887712	COMP-PN 2R13S3R276A (M13, M14)
132	A3436901	SPRING-OVERLOAD
142	10329001	COVER-TERM (M27, M28, M29, M30)
142	20120102	COVER-TERM (M1, M2, M3, M4, M5, M6, M7, M8, M9, M10, M11, M12, M13, M14, M15, M16, M17, M18, M19, M20)
142	20120103	COVER-TERM (M21, M22, M23, M24, M25, M26)
152	D4976682	OVERLOAD (M21, M22, M23, M24, M29, M30)
152	D6961607	OVERLOAD (M8, M9, M10)
152	D6961612	OVERLOAD (M5, M6, M7, M27, M28)
152	D6961636	OVERLOAD (M1, M2)
152	D6961637	OVERLOAD (M11, M12)
152	D6961639	OVERLOAD (M3, M4)
152	D6961642	OVERLOAD (M13, M14)
152	D6961643	OVERLOAD (M15, M16, M17, M25)
152	D6961657	OVERLOAD (M18, M19, M20, M26)
162	A3436601	NUT-TERM COVER
172	A3436801	GASKET-NUT (QTY AR)
182	A3436701	GASKET-TERM COVER (QTY AR)
192	M0253610	SCREW-SHLDR (M15, M16, M17, M18, M19, M20, M21, M22, M23, M24, M25, M26, M27, M28, M29, M30)
192	M0253661	SCREW-SHLDR (M11, M12, M13, M14)
592	20295702	THERMISTOR
1342	11154803	SEALER-RUBBER BASED (QTY AR)

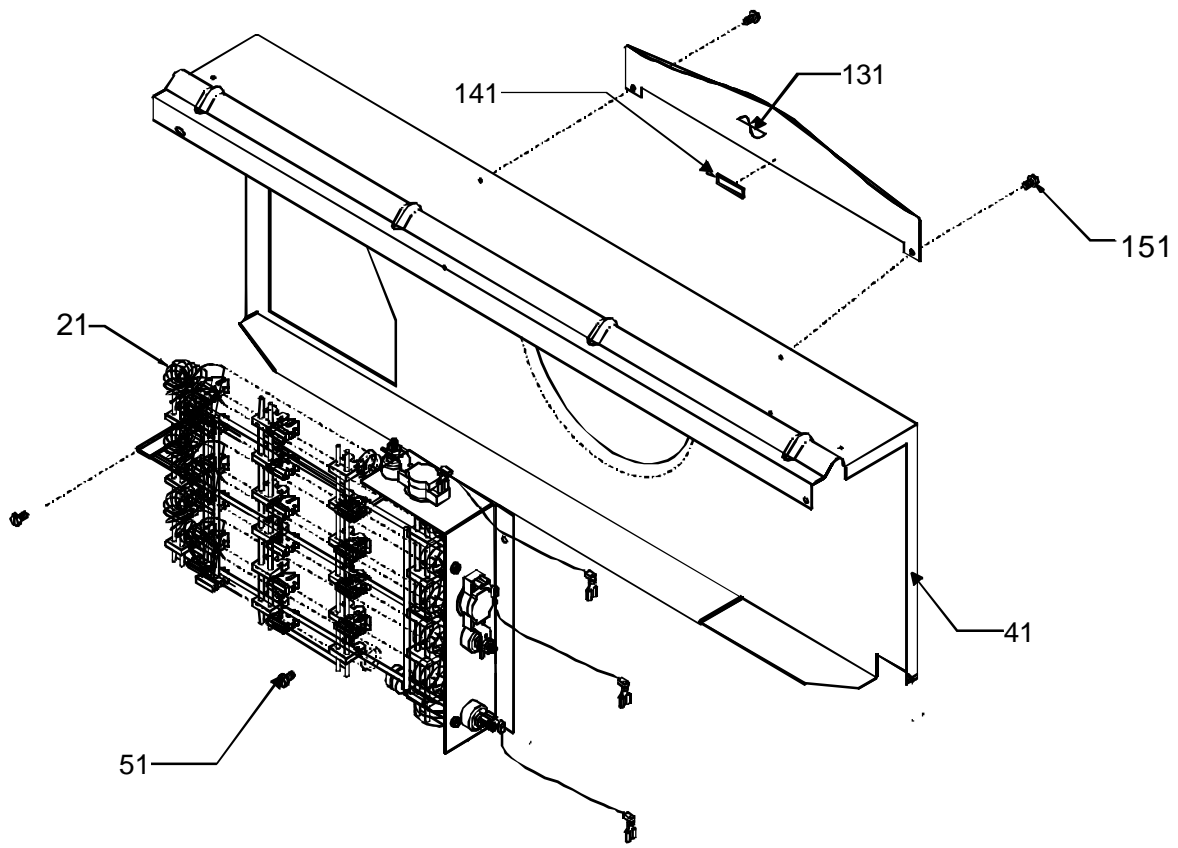
Ref. Part

No: No: Description:

Expanded Model and Color Nomenclature

M1 - NTE07A25A3B	P1232729R
M2 - NTE07A35A3B	P1232730R
M3 - NTE09A25A3B	P1232732R
M4 - NTE09A35A3B	P1232733R
M5 - NTE12A25A3B	P1232735R
M6 - NTE12A35A3B	P1232736R
M7 - NTE12A50A3B	P1232738R
M8 - NTE15A25A3B	P1232739R
M9 - NTE15A35A3B	P1232740R
M10 - NTE15A50A3B	P1232742R
M11 - NTE07A25A4B	P1232743R
M12 - NTE07A35A4B	P1232744R
M13 - NTE09A25A4B	P1232746R
M14 - NTE09A35A4B	P1232747R
M15 - NTE12A25A4B	P1232749R
M16 - NTE12A35A4B	P1232750R
M17 - NTE12A50A4B	P1232752R
M18 - NTE15A25A4B	P1232753R
M19 - NTE15A35A4B	P1232754R
M20 - NTE15A50A4B	P1232756R
M21 - NTE15A25A3B	P1232757R
M22 - NTE15A35A3B	P1232758R
M23 - NTE15A35C3B	P1232759R
M24 - NTE15A50A3B	P1232760R
M25 - NTE12A35A4A	P1232722R
M26 - NTE15A50A4A	P1232728R
M27 - NTE12A00A3B	P1232761R
M28 - NTE12A00C3B	P1232762R
M29 - NTE15A00A3B	P1232763R
M30 - NTE15A00C3B	P1232764R

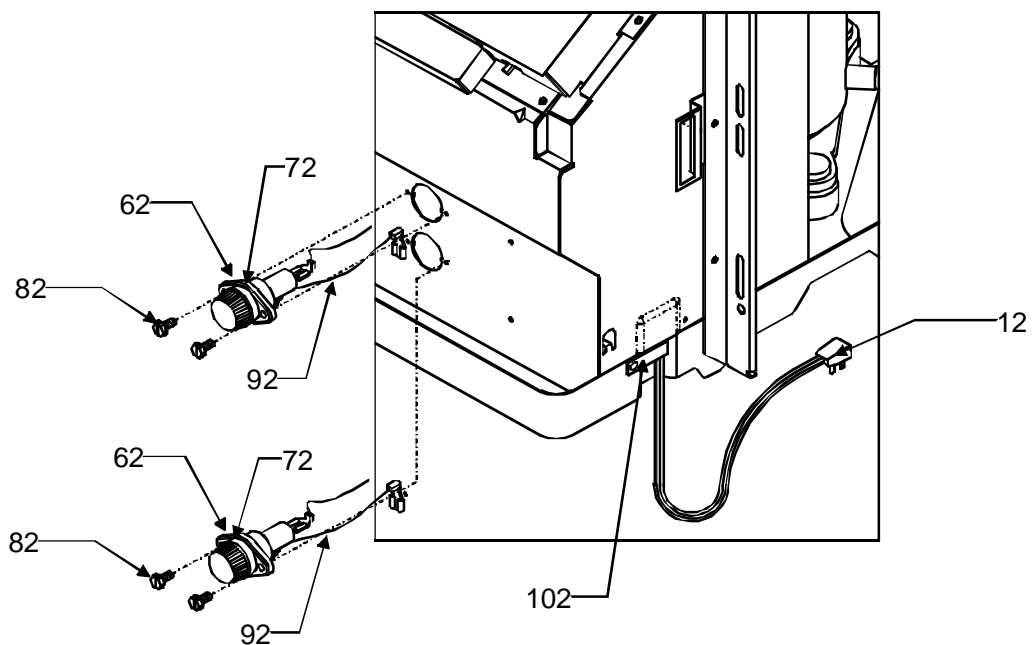
Heater



2 STAGE HEAT

Image 1

Image 2



Heater

**Ref. Part
No: No:**

Description:

**Ref. Part
No: No:**

Description:

Image 1:

21	20460612	HTR 3 2.5KW ASSY (M1, M3, M5, M8, M21)
21	20460613	HTR 3 3.5KW ASSY (M2, M4, M6, M9, M22, M23)
21	20460615	HTR 3 5.0KW ASSY (M7, M10, M24)
21	20460607	HTR 4 2.5KW ASSY (M11, M13, M15, M18)
21	20460608	HTR 4 3.7KW ASSY (M12, M14, M16, M19, M25)
21	20460610	HTR 4 5.0KW ASSY (M17, M20, M26)
41	11167301	SHROUD-COND (M1, M2, M3, M4, M5, M6, M7, M8, M9, M10)
51	M0216716	SCREW-SM (QTY AR)
131	11043902	BLOWER-INT PNT
141	10839722	GASKET .25X.06 (QTY AR)
151	M0216716	SCREW-SM (QTY AR)

Image 2:

12	11114401	CORD-250V 15A (M1, M3, M5, M8, M21, M27, M28, M29, M30)
12	11114501	CORD-250V 20A (M2, M4, M6, M9, M22, M23)
12	11114601	CORD-250V 30A (M7, M10, M24)
12	11114801	CORD-277V 30A (M17, M20, M26)
12	11114701	CORD-277V-20A (M11, M12, M13, M14, M15, M16, M18, M19, M25)
62	C6476001	HOLDER-BAYONET FUSE (M11, M13, M15, M18)
62	C6476002	HOLDER-BAYONET FUSE (M12, M14, M16, M19, M25)
62	C6476003	HOLDER-BAYONET FUSE (M17, M20, M26)
72	A3410402	FUSE-15A (M11, M13, M15, M18)
72	A3410403	FUSE-20A (M12, M14, M16, M19, M25)
72	A3410404	FUSE-25 AMP (M17, M20, M26)
82	M0213817	SCREW-SM (M11, M12, M13, M14, M15, M16, M17, M18, M19, M20, M21, M22, M23, M24, M25, M26)
92	M0216716	SCREW-SM (QTY AR)
102	M0103905	CLAMP-SPEED (M1, M3, M5, M8)
102	M0103906	CLAMP-SPEED (M2, M4, M6, M7, M9, M10, M11, M12, M13, M14, M15, M16, M17, M18, M19, M20, M21, M25, M26, M27, M28, M29, M30)

Expanded Model and Color Nomenclature

M1 - NTE07A25A3B	P1232729R
M2 - NTE07A35A3B	P1232730R
M3 - NTE09A25A3B	P1232732R
M4 - NTE09A35A3B	P1232733R
M5 - NTE12A25A3B	P1232735R
M6 - NTE12A35A3B	P1232736R
M7 - NTE12A50A3B	P1232738R
M8 - NTE15A25A3B	P1232739R
M9 - NTE15A35A3B	P1232740R
M10 - NTE15A50A3B	P1232742R
M11 - NTE07A25A4B	P1232743R
M12 - NTE07A35A4B	P1232744R
M13 - NTE09A25A4B	P1232746R
M14 - NTE09A35A4B	P1232747R
M15 - NTE12A25A4B	P1232749R
M16 - NTE12A35A4B	P1232750R
M17 - NTE12A50A4B	P1232752R
M18 - NTE15A25A4B	P1232753R
M19 - NTE15A35A4B	P1232754R
M20 - NTE15A50A4B	P1232756R
M21 - NTE15A25A3B	P1232757R
M22 - NTE15A35A3B	P1232758R
M23 - NTE15A35C3B	P1232759R
M24 - NTE15A50A3B	P1232760R
M25 - NTE12A35A4A	P1232722R
M26 - NTE15A50A4A	P1232728R
M27 - NTE12A00A3B	P1232761R
M28 - NTE12A00C3B	P1232762R
M29 - NTE15A00A3B	P1232763R
M30 - NTE15A00C3B	P1232764R

Control Panel

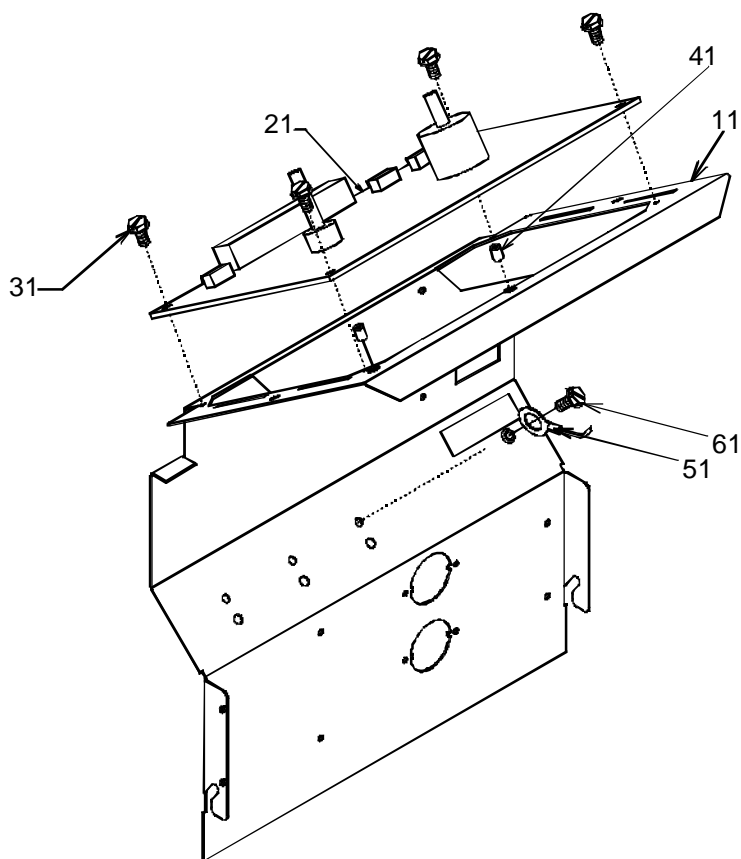
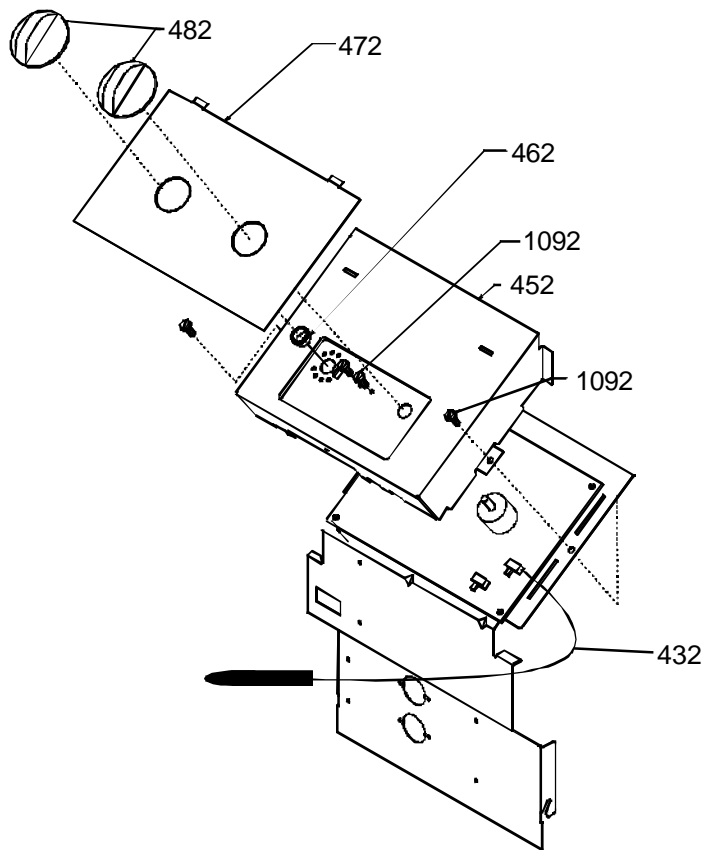


Image 1

Image 2



Control Panel

Ref. Part

No: No: Description:

Image 1:

11	11044504	PANEL-CONTROL (M1, M2, M3, M4, M5, M6, M7, M8, M9, M10, M11, M12, M13, M14, M15, M16, M17, M18, M19, M20, M21, M22, M23, M24, M25, M26)
11	11044505	PANEL-CONTROL (M27, M28, M29, M30)
21	20295602	PC BOARD (M1, M2, M3, M4, M5, M6, M7, M8, M9, M10, M11, M12, M13, M14, M15, M16, M17, M18, M19, M20, M21, M22, M23, M24, M25, M26)
21	20475401	PC BOARD (M27, M28, M29, M30)
31	M0216529	SCREW-SM (QTY AR)
41	M0590702	SUPPORT (QTY 2)
51	10618849	WIRE-JUMPER GN1 (M1, M2, M3, M4, M5, M6, M7, M8, M9, M10, M11, M12, M13, M14, M15, M16, M17, M18, M19, M20, M21, M22, M23, M24, M25, M26)
61	M0227803	SCREW-TC (M11, M12, M13, M14, M15, M16, M17, M18, M19, M20, M21, M22, M23, M24, M25, M26, M27, M28, M29, M30)

Image 2:

432	20295701	THERMISTOR
452	11044403	COVER-CONT PNL
462	M0117902	CLIP-TUBULAR
472	20005701	PLATE-ESC
482	11042902	KNOB-CONTROL (QTY 2)
1092	M0216529	SCREW-SM (QTY AR)

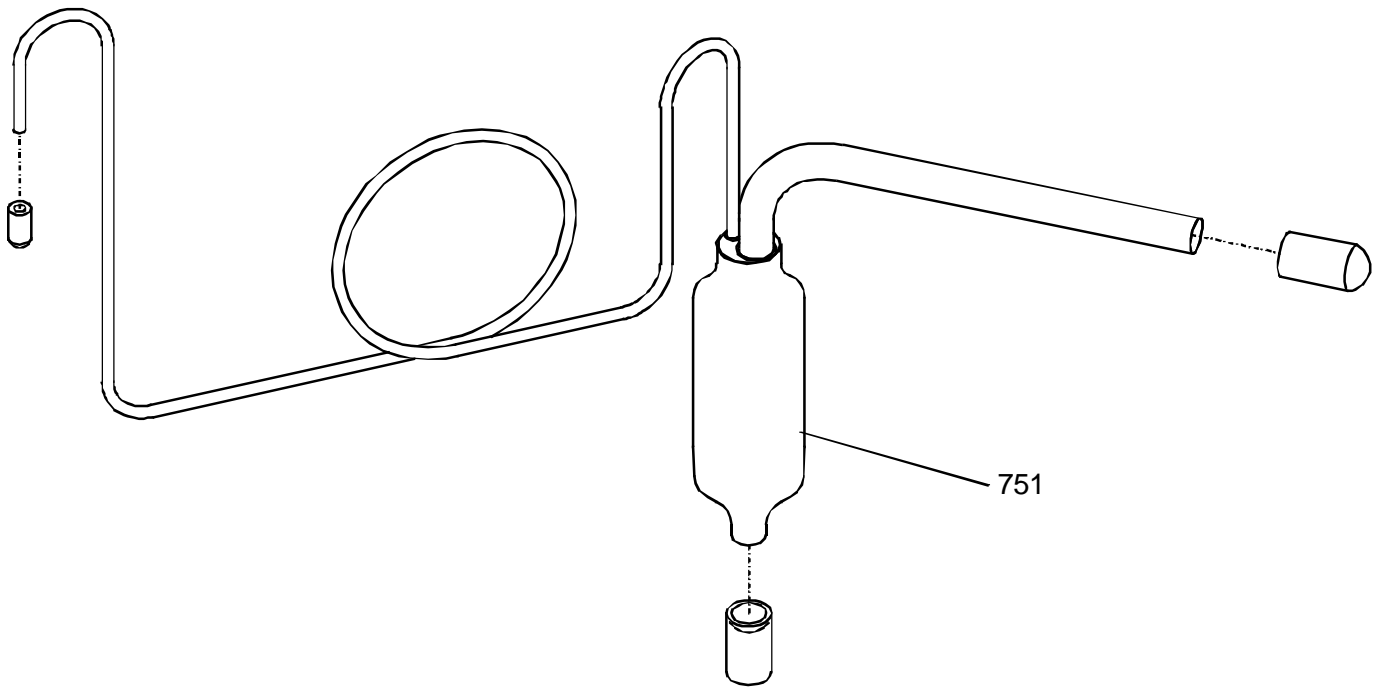
Ref. Part

No: No: Description:

Expanded Model and Color Nomenclature

M1 - NTE07A25A3B	P1232729R
M2 - NTE07A35A3B	P1232730R
M3 - NTE09A25A3B	P1232732R
M4 - NTE09A35A3B	P1232733R
M5 - NTE12A25A3B	P1232735R
M6 - NTE12A35A3B	P1232736R
M7 - NTE12A50A3B	P1232738R
M8 - NTE15A25A3B	P1232739R
M9 - NTE15A35A3B	P1232740R
M10 - NTE15A50A3B	P1232742R
M11 - NTE07A25A4B	P1232743R
M12 - NTE07A35A4B	P1232744R
M13 - NTE09A25A4B	P1232746R
M14 - NTE09A35A4B	P1232747R
M15 - NTE12A25A4B	P1232749R
M16 - NTE12A35A4B	P1232750R
M17 - NTE12A50A4B	P1232752R
M18 - NTE15A25A4B	P1232753R
M19 - NTE15A35A4B	P1232754R
M20 - NTE15A50A4B	P1232756R
M21 - NTE15A25A3B	P1232757R
M22 - NTE15A35A3B	P1232758R
M23 - NTE15A35C3B	P1232759R
M24 - NTE15A50A3B	P1232760R
M25 - NTE12A35A4A	P1232722R
M26 - NTE15A50A4A	P1232728R
M27 - NTE12A00A3B	P1232761R
M28 - NTE12A00C3B	P1232762R
M29 - NTE15A00A3B	P1232763R
M30 - NTE15A00C3B	P1232764R

Filter-Drier



Filter-Drier

Ref. Part

No: No:

Description:

Ref. Part

No: No:

Description:

Image 1:

751	20284901	DRYER-FILTER (M1, M2, M11, M12)
751	20284902	DRYER-FILTER (M3, M4, M13, M14)
751	20284904	DRYER-FILTER (M5, M6, M7, M15, M16, M17, M27, M28)
751	20284906	DRYER-FILTER (M8, M9, M10, M18, M19, M20, M21, M22, M23, M24, M25, M26, M29, M30)

Expanded Model and Color Nomenclature

M1 - NTE07A25A3B	P1232729R
M2 - NTE07A35A3B	P1232730R
M3 - NTE09A25A3B	P1232732R
M4 - NTE09A35A3B	P1232733R
M5 - NTE12A25A3B	P1232735R
M6 - NTE12A35A3B	P1232736R
M7 - NTE12A50A3B	P1232738R
M8 - NTE15A25A3B	P1232739R
M9 - NTE15A35A3B	P1232740R
M10 - NTE15A50A3B	P1232742R
M11 - NTE07A25A4B	P1232743R
M12 - NTE07A35A4B	P1232744R
M13 - NTE09A25A4B	P1232746R
M14 - NTE09A35A4B	P1232747R
M15 - NTE12A25A4B	P1232749R
M16 - NTE12A35A4B	P1232750R
M17 - NTE12A50A4B	P1232752R
M18 - NTE15A25A4B	P1232753R
M19 - NTE15A35A4B	P1232754R
M20 - NTE15A50A4B	P1232756R
M21 - NTE15A25A3B	P1232757R
M22 - NTE15A35A3B	P1232758R
M23 - NTE15A35C3B	P1232759R
M24 - NTE15A50A3B	P1232760R
M25 - NTE12A35A4A	P1232722R
M26 - NTE15A50A4A	P1232728R
M27 - NTE12A00A3B	P1232761R
M28 - NTE12A00C3B	P1232762R
M29 - NTE15A00A3B	P1232763R
M30 - NTE15A00C3B	P1232764R