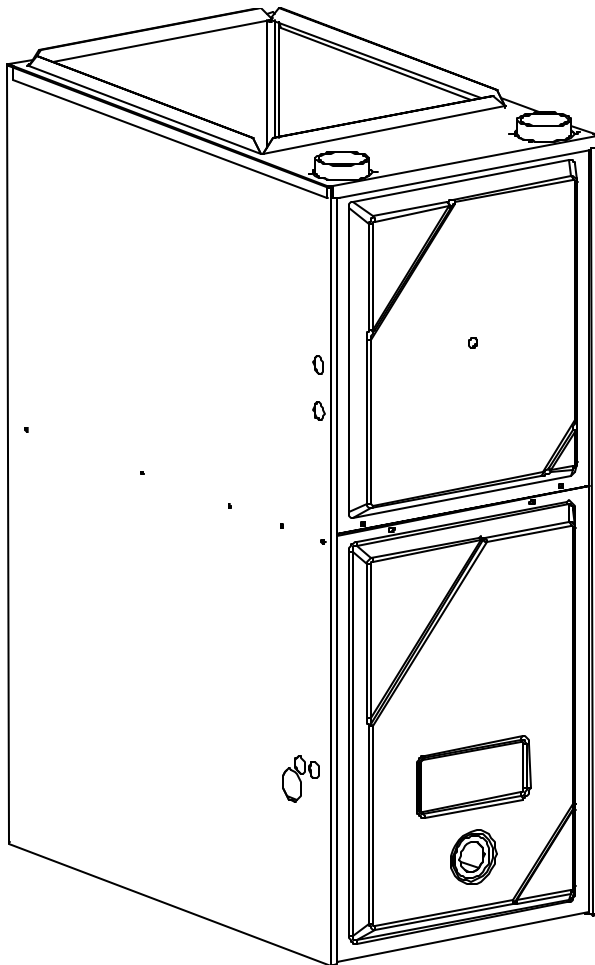


Models and manufacturing  
numbers in this manual

GCCA045AX30	P1232401F
GCCA070AX30	P1232402F
GCCA070AX40	P1232403F
GCCA090AX40	P1232404F
GCCA090AX50	P1232405F
GCCA115AX50	P1232406F

# Parts

## GCCA Gas Furnace



This manual is to be used by qualified appliance technicians only. Amana does not assume any responsibility for property damage or personal injury for improper service procedures done by an unqualified person.

**Amana**

RP6610021  
Revision 0  
May 2000

## Important Information

---

Amana is not responsible for personal injury or property damage resulting from improper service. Review all service information before beginning repairs.

Warranty service must be performed by an authorized technician, using authorized factory parts. If service is required after the warranty expires, Amana also recommends contacting an authorized technician and using authorized factory parts. Locate an authorized technician by calling 800-NATLSVC (800-628-5782).

For assistance within the U.S.A. contact:

Consumer Affairs Department  
Amana  
2800 220th Trail  
Amana IA 52204-0001  
319-622-5511--Telephone  
319-622-2977--Facsimile

For assistance outside the U.S.A. contact:

International Division  
Amana  
2800 220th Trail  
Amana IA 52204-0001  
USA  
319-622-5511--Telephone  
319-622-8595--Facsimile

# Index

Functional Parts List .....	4
Illustration and Parts .....	6 - 15

*Views shown are for parts illustrations only, not servicing procedures.*

## Text Codes:

AR - As Required

NA - Not Available

NS - Not Shown

00000000 - See Note

QTY - Quantity Example (QTY 3) (If Quantity not shown, Quantity = 1)

M - Model Example (M1) (If M Code not shown, then part is used on all Models)

## Expanded Model and Color Nomenclature:

Example	
M1 - Model#1	P _____
M2 - Model#2	P _____
M3 - Model#3	P _____

# Functional Parts

Part

No:

Description:

---

# Functional Parts

## Part

## No: Description:

---

10735102	BECKETT BURNER (QTY AR)
20190601	BLOWER-I.D.
D6879748	CAPACITOR (M1, M5)
D6879746	CAPACITOR (M2, M3, M4)
D6879740	CAPACITOR (M6)
10207709	CONTROL-INTEG
10735201	FLAME-SENSOR
20200908	HARNES-WIRING (CIRCULATOR BLOWER)
20200910	HARNES-WIRNG (MAIN)
20165702	IGNITOR
20162907	LIMIT PRIMARY (M6)
20162904	LIMIT PRIMARY (M4)
20162906	LIMIT PRIMARY (M1, M2, M3, M5)
10123519	LIMIT-RESET MAN AUXILIARY (M1, M2, M4, M6) (QTY 2)
10123518	LIMIT-RESET MAN AUXILIARY (M3, M5) (QTY 2)
10123517	LIMIT-RESET MAN ROLLOUT (M1, M2, M3, M6) (QTY AR)
10123534	LIMIT-RESET MAN ROLLOUT (M4, M5) (QTY 2)
10759309	MOTOR BLOWER 1/2 HP (M3, M4)
10759311	MOTOR-BLOW 1/2 HP (M6)
10759415	MOTOR-BLOW 3/4 HP (M5)
10759211	MOTOR-BLOWER (M1)
10759310	MOTOR-BLOWER 1/2 HP (M2)
10716003	ORIFICE (QTY AR)
10690401	SWITCH-INTERLOCK
20197306	SWITCH-PRESSURE (QTY 2)
C6349703	TRANSFORMER
C6476907	VALVE-GAS

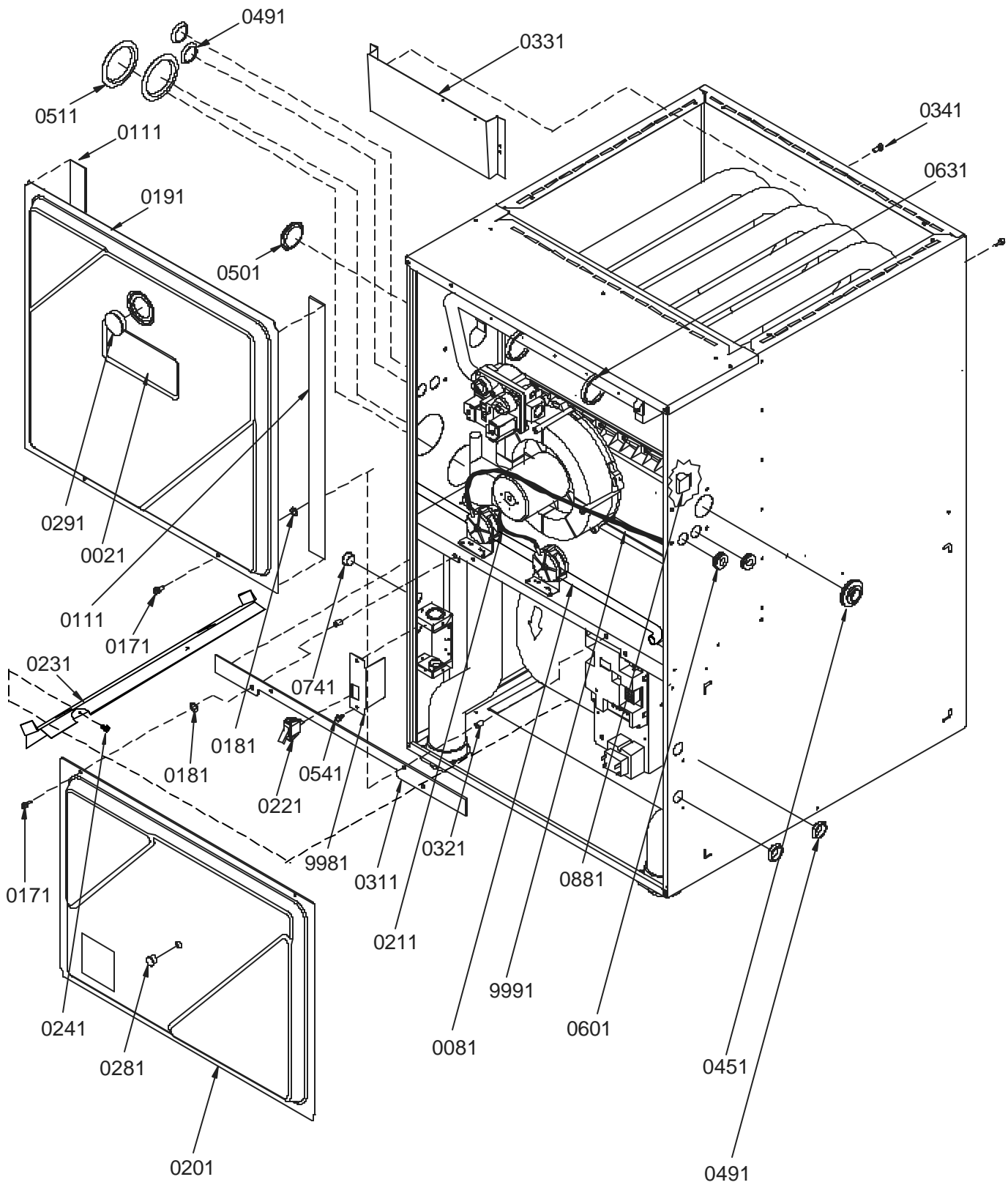
### SPECIAL PARTS

20201902	HOSE-DRAIN
11067349	INSTR-HI ALT FR
11067385	INSTR-INSTALL FR
11067348	INSTR-LP FR
10318729	INSTRUCT-INSTALL
RP6610021	MANUAL-PARTS
10318819	MANUAL-USERS
11067386	MANUAL-USERS FR
10261301	SCREEN-VENT
10261302	SCREEN-VENT
11134633	SHEET-SPEC
11067384	SPEC SHEET FR
10195512	STNDPIPE BAG ASSY

### Expanded Model and Color Nomenclature

M1 - GCCA045AX30	P1232401F
M2 - GCCA070AX30	P1232402F
M3 - GCCA070AX40	P1232403F
M4 - GCCA090AX40	P1232404F
M5 - GCCA090AX50	P1232405F
M6 - GCCA115AX50	P1232406F

# Cabinet Assembly and Blower Mounting



# Cabinet Assembly and Blower Mounting

Ref Part No:	Description:	Ref. Part No:	Description:
--------------	--------------	---------------	--------------

*Image 1:*

0021	20213211	NAMEPLATE-AMANA
0081	20201902	HOSE-DRAIN
0111	20179308	GASKET (QTY 2)
0171	M0209717	SCREW-DECORATIVE (QTY AR)
0181	M0273904	RETAINER-SCREW (QTY AR)
0191	20273101	DOOR-ACCESS (M1, M2)
0191	20273102	DOOR-ACCESS (M3, M4)
0191	20273103	DOOR-ACCESS (M5, M6)
0201	B1410316	HOSE PRESSURE SW (M5, M6)
0201	B1410301	HOSE-PRESSURE SW (M1, M2)
0201	B1410304	HOSE-PRESSURE SW (M3, M4)
0211	B1410311	HOSE-PRESSURE SW
0221	10690401	SWITCH-INTERLOCK
0231	10368501	RAIL-FILTER
0241	M0216716	SCREW-SM (QTY AR)
0281	11104001	SNAP-BUSHING CLR
0291	11104002	SNAP-BUSHING CLR
0311	20214101	GASKET-DECK (M1, M2)
0311	20214102	GASKET-DECK (M3, M4)
0311	20214103	GASKET-DECK (M5, M6)
0321	M0294801	INSERT-KNURLED (QTY AR)
0331	11165107	SHIELD ID BLOWER
0341	M0219918	SCREW-SM (QTY AR)
0451	M0501301	GROMMET-PIPE
0491	M0570804	PLUG-BUTTON (QTY AR)
0501	M0570802	PLUG-BUTTON
0511	M0570803	PLUG-BUTTON (QTY AR)
0541	M0216716	SCREW-SM (QTY AR)
0601	A4691701	GROMMET (QTY AR)
0631	M0321202	TIE-ELEC LG (QTY AR)
0741	M0571002	BUSHING-SNAP (QTY AR)
0881	M0104102	CLIP-CORD
9981	10736202	COVER-HV BOX
9991	20273001	DOOR-BLOWER (M1, M2)
9991	20273002	DOOR-BLOWER (M3, M4)
9991	20273003	DOOR-BLOWER (M5, M6)

Expanded Model and Color Nomenclature

M1 - GCCA045AX30	P1232401F
M2 - GCCA070AX30	P1232402F
M3 - GCCA070AX40	P1232403F
M4 - GCCA090AX40	P1232404F
M5 - GCCA090AX50	P1232405F
M6 - GCCA115AX50	P1232406F

# Blower Assembly

Image 1

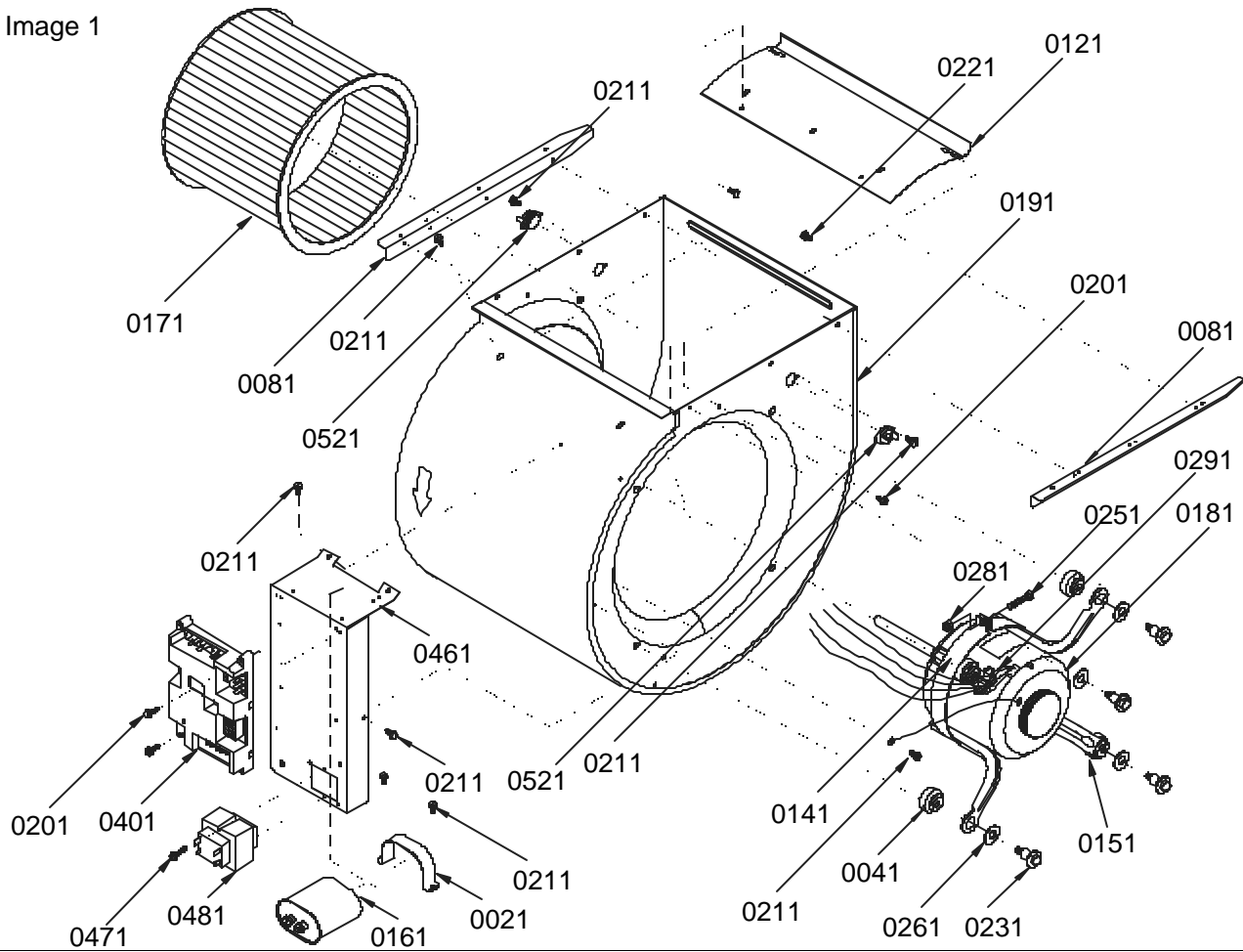
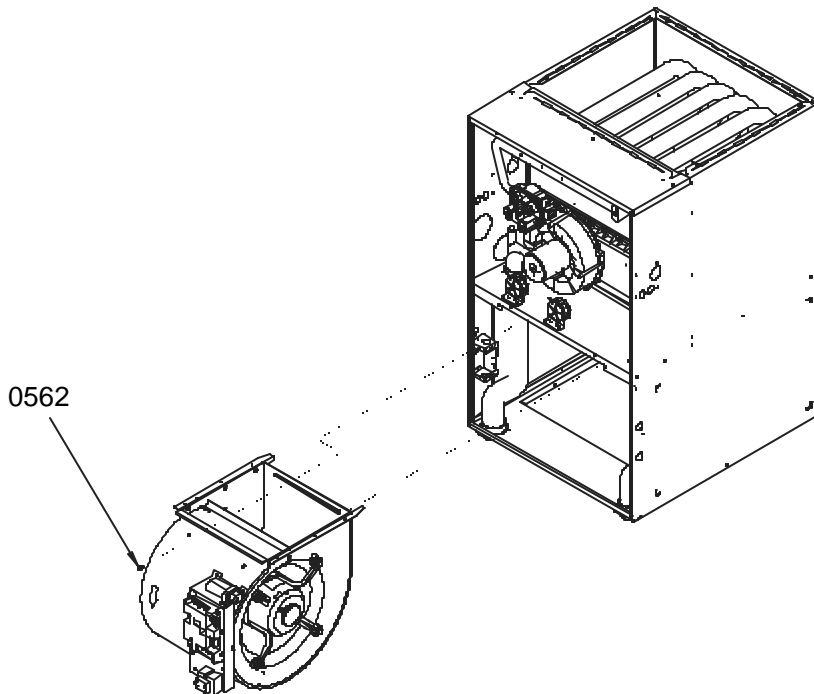


Image 2



# Blower Assembly

Ref Part No:	Description:	Ref. Part No:	Description:
--------------	--------------	---------------	--------------

*Image 1:*

0021 A3410501	STRAP-CAPACITOR (M2, M3, M4, M6)
0021 A4055402	STRAP-CAPACITOR (M1, M5)
0041 A4002701	GROMMET (QTY AR)
0081 20175101	RAIL-BLWR SIDE (QTY 2)
0121 C6121803	CUTOFF (M1, M2)
0121 C6121806	CUTOFF (M3, M4)
0121 C6121811	CUTOFF (M5, M6)
0141 10441601	BAND-MTR MOUNT
0151 10441501	ARM-MTR MOUNT (QTY 4)
0161 D6879740	CAPACITOR (M6)
0161 D6879746	CAPACITOR (M2, M3, M4)
0161 D6879748	CAPACITOR (M1, M5)
0171 D6723311	WHEEL-BLOWER (M6)
0171 D6723319	WHEEL-BLOWER (M2)
0171 D6723320	WHEEL-BLOWER (M3, M4, M5)
0171 D6723321	WHEEL-BLOWER (M1)
0181 10759309	MOTOR BLOWER 1/2 HP (M3, M4)
0181 10759311	MOTOR-BLOW 1/2 HP (M6)
0181 10759415	MOTOR-BLOW 3/4 HP (M5)
0181 10759211	MOTOR-BLOWER (M1)
0181 10759310	MOTOR-BLOWER 1/2 HP (M2)
0191 11185811	HOUSING WELD 11X10 (M5, M6)
0191 11185809	HOUSING WELD 11X7 (M1, M2)
0191 11185810	HOUSING WELD 11X9 (M3, M4)
0201 M0211020	SCREW-SM #8-7/8 (QTY AR)
0211 M0219916	SCREW-SM (QTY AR)
0221 M0253516	SCREW-TR (QTY AR)
0231 M0221461	SCREW-TC (QTY AR)
0251 M0267144	SCREW-MACH
0261 M0274008	WASHER-FLAT (QTY AR)
0281 M0282015	NUT-KEPS
0291 M0321202	TIE-ELEC LG
0401 10207709	CONTROL-INTEG
0461 10746205	BRKT-CONTROL
0471 M0216536	SCREW-SM (QTY AR)
0481 C6349703	TRANSFORMER
0521 10123518	LIMIT-RESET MAN AUXILIARY (M3, M5) (QTY 2)
0521 10123519	LIMIT-RESET MAN AUXILIARY (M1, M2, M4, M6) (QTY 2)

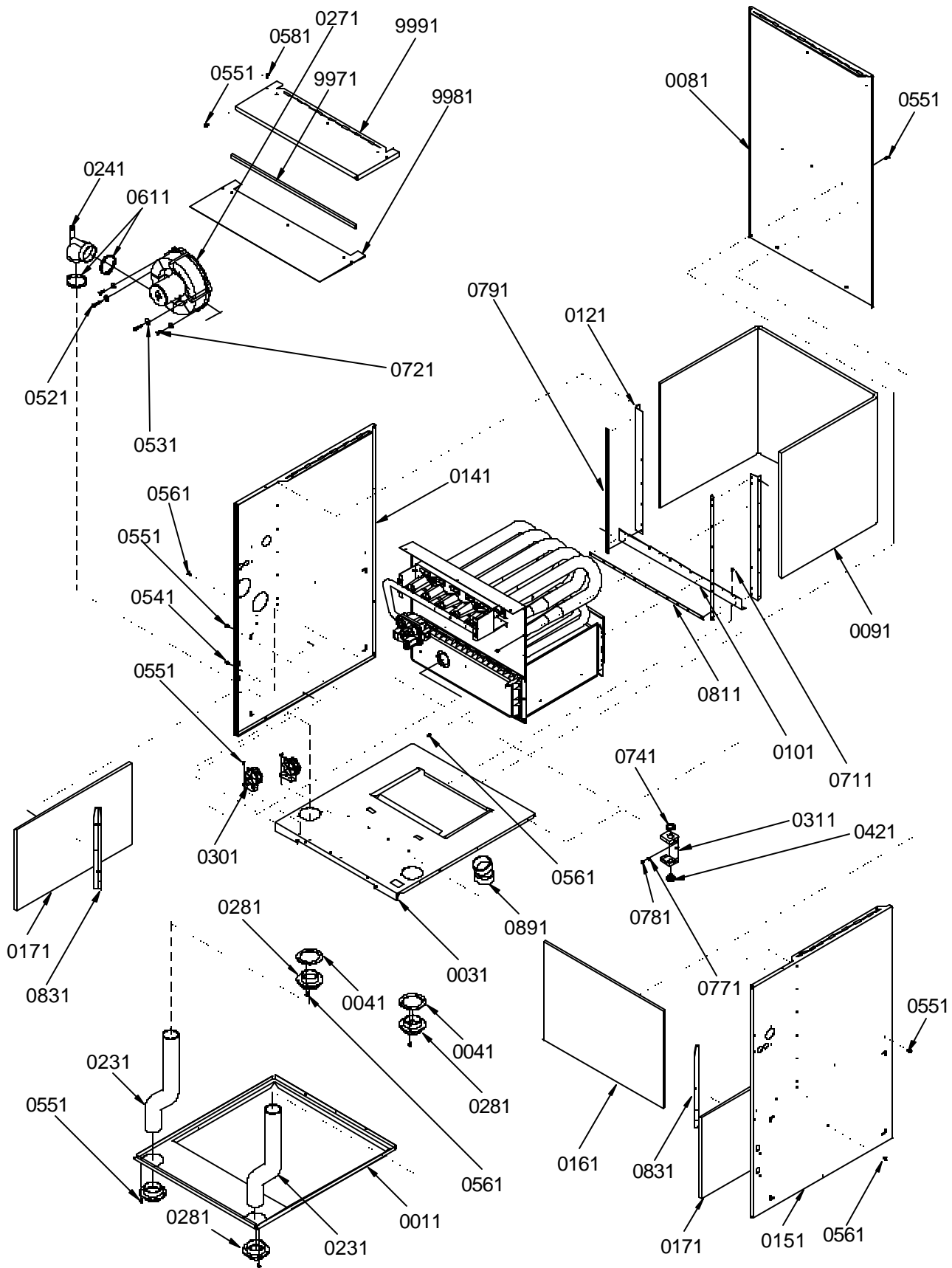
*Image 2:*

0562 M0219918	SCREW-SM (QTY AR)
---------------	-------------------

Expanded Model and Color Nomenclature

M1 - GCCA045AX30	P1232401F
M2 - GCCA070AX30	P1232402F
M3 - GCCA070AX40	P1232403F
M4 - GCCA090AX40	P1232404F
M5 - GCCA090AX50	P1232405F
M6 - GCCA115AX50	P1232406F

# Cabinet Assembly



# Cabinet Assembly

Ref Part No:	Description:	Ref. Part No:	Description:
<i>Image 1:</i>		9991 20273304	COVER (M1, M2)
0011 20273501	BASEPAN-C'FLOW (M1, M2)	9991 20273305	COVER (M3, M4)
0011 20273502	BASEPAN-C'FLOW (M3, M4)	9991 20273306	COVER (M5, M6)
0011 20273503	BASEPAN-C'FLOW (M5, M6)	Expanded Model and Color Nomenclature	
0031 20190210	DECK-BLOWER CF (M1, M2)		
0031 20190211	DECK-BLOWER CF (M3, M4)	M1 - GCCA045AX30	P1232401F
0031 20190212	DECK-BLOWER CF (M5, M6)	M2 - GCCA070AX30	P1232402F
0041 20215701	GASKET-COIL (M1, M2)	M3 - GCCA070AX40	P1232403F
0041 20215702	GASKET-COIL (M3, M4)	M4 - GCCA090AX40	P1232404F
0041 20215703	GASKET-COIL (M5, M6)	M5 - GCCA090AX50	P1232405F
0081 20273204	PANEL-BACK (M1, M2)	M6 - GCCA115AX50	P1232406F
0081 20273205	PANEL-BACK (M3, M4)		
0081 20273206	PANEL-BACK (M5, M6)		
0091 C6415907	INSUL-HT EX (M1, M2)		
0091 C6415908	INSUL-HT EX (M3, M4)		
0091 C6415909	INSUL-HT EX (M5, M6)		
0101 20191301	RAIL-DECK (M1, M2)		
0101 20191302	RAIL-DECK (M3, M4)		
0101 20191303	RAIL-DECK (M5, M6)		
0121 20191601	RAIL-SIDE (QTY 2)		
0141 20274201	PANEL-SIDE LH CF		
0151 20274301	PANEL-SIDE RH CF		
0161 20006601	INSULATION (M1, M2)		
0161 20006602	INSULATION (M3, M4)		
0161 20006603	INSULATION (M5, M6)		
0171 20006604	INSULATION-SIDE (QTY 2)		
0231 20190504	PIPE-FLUE FA (QTY 2)		
0241 20171801	ELBOW		
0271 20190601	BLOWER-I.D.		
0281 20049701	COUPLING-FA (QTY AR)		
0301 20197306	SWITCH-PRESSURE (QTY 2)		
0311 10736102	BOX-HIGH VOLTAGE		
0421 A4554801	BUSHING-SNAP		
0521 M0218154	SCREW-SM (QTY AR)		
0531 M0270544	WASHER-FLAT (QTY AR)		
0541 M0216716	SCREW-SM (QTY AR)		
0551 M0219916	SCREW-SM (QTY AR)		
0561 M0219918	SCREW-SM (QTY AR)		
0581 M0211530	SCREW-SM (QTY AR)		
0611 A3326008	CLAMP-HOSE (QTY AR)		
0711 M0216714	SCREW-SM (QTY AR)		
0721 M0218153	SCREW-SM (QTY AR)		
0741 M0571002	BUSHING-SNAP (QTY AR)		
0771 M0270001	WASHER-CUP		
0781 M0227803	SCREW-TC		
0791 20194604	GASKET (QTY 2)		
0811 20194601	GASKET (M1, M2)		
0811 20194602	GASKET (M3, M4)		
0811 20194603	GASKET (M5, M6)		
0831 20175101	RAIL-BLWR SIDE (QTY 2)		
0891 C6455901	ELBOW-22 1/2 ELL		
9971 20179305	GASKET (M1, M2)		
9971 20179306	GASKET (M3, M4)		
9971 20179307	GASKET (M5, M6)		
9981 20192701	INSULATION (M1, M2)		
9981 20192702	INSULATION (M3, M4)		
9981 20192703	INSULATION (M5, M6)		

# Heat Exchanger/Manifold Assembly

Image 1

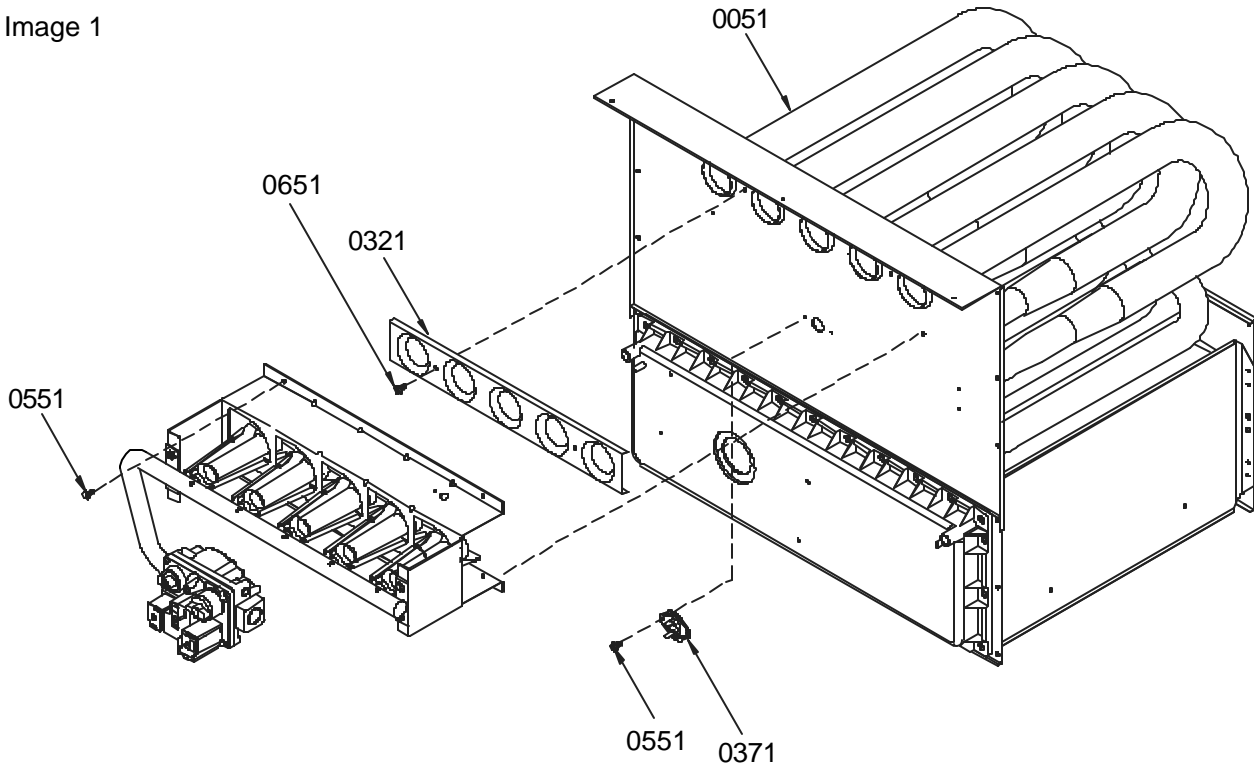
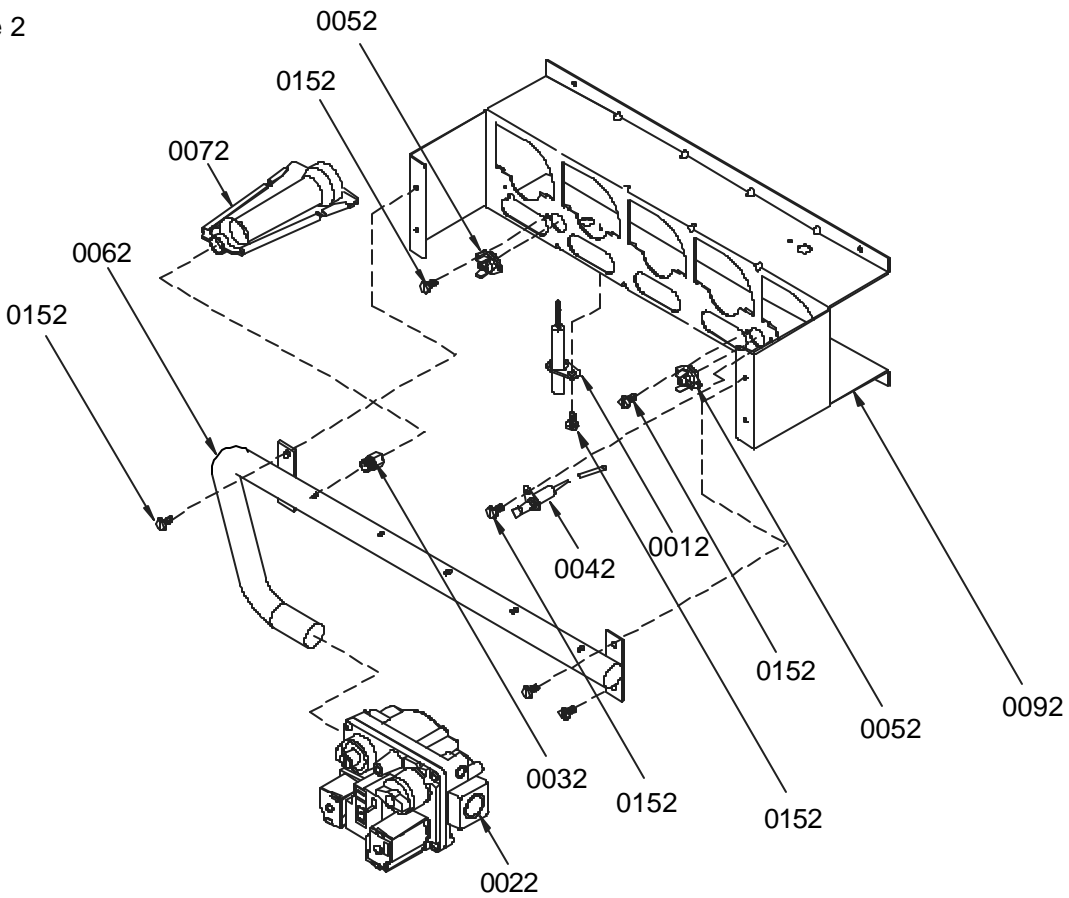


Image 2



# Heat Exchanger/Manifold Assembly

Ref Part No:	Description:	Ref. Part No:	Description:
--------------	--------------	---------------	--------------

*Image 1:*

0051 20194401	HT EX ASSY 2B (M1)
0051 20194402	HT EX ASSY 3B (M2)
0051 20194403	HT EX ASSY 3B (M3)
0051 20194404	HT EX ASSY 4B (M4)
0051 20194405	HT EX ASSY 4B (M5)
0051 20194406	HT EX ASSY 5B (M6)
0321 11072201	SHIELD-ORIFICE (M1)
0321 11072202	SHIELD-ORIFICE (M2, M3)
0321 11072203	SHIELD-ORIFICE (M4, M5)
0321 11072204	SHIELD-ORIFICE (M6)
0371 20162904	LIMIT PRIMARY (M4)
0371 20162906	LIMIT PRIMARY (M1, M2, M3, M5)
0371 20162907	LIMIT PRIMARY (M6)
0551 M0219916	SCREW-SM (QTY AR)
0651 M0211020	SCREW-SM #8-7/8 (QTY AR)

*Image 2:*

0012 20165702	IGNITOR
0022 C6476907	VALVE-GAS
0032 10716003	ORIFICE (QTY AR)
0042 10735201	FLAME-SENSOR
0052 10123517	LIMIT-RESET MAN ROLLOUT (M1, M2, M3, M6) (QTY AR)
0052 10123534	LIMIT-RESET MAN ROLLOUT (M4, M5) (QTY 2)
0062 20196401	MANIFOLD (M1)
0062 20196402	MANIFOLD (M2, M3)
0062 20196403	MANIFOLD (M4, M5)
0062 20196404	MANIFOLD (M6)
0072 10735102	BECKETT BURNER (QTY AR)
0092 20190401	BRKT-BURNER (M1)
0092 20190402	BRKT-BURNER (M2, M3)
0092 20190403	BRKT-BURNER (M4, M5)
0092 20190404	BRKT-BURNER (M6)
0152 M0219916	SCREW-SM (QTY AR)

Expanded Model and Color Nomenclature

M1 - GCCA045AX30	P1232401F
M2 - GCCA070AX30	P1232402F
M3 - GCCA070AX40	P1232403F
M4 - GCCA090AX40	P1232404F
M5 - GCCA090AX50	P1232405F
M6 - GCCA115AX50	P1232406F

# Recupe Coil Assembly/Standpipe Bag Assy

Image 1

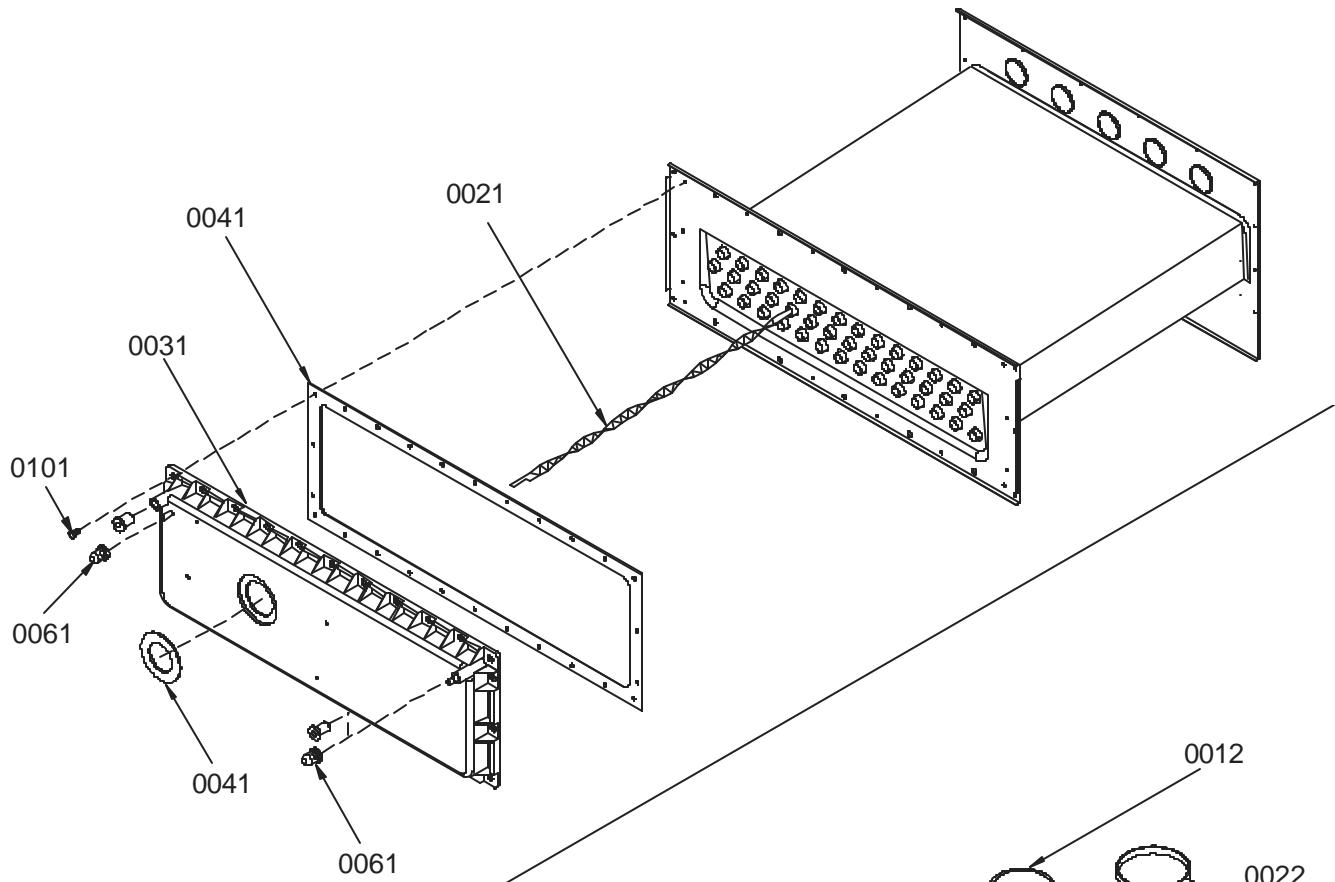
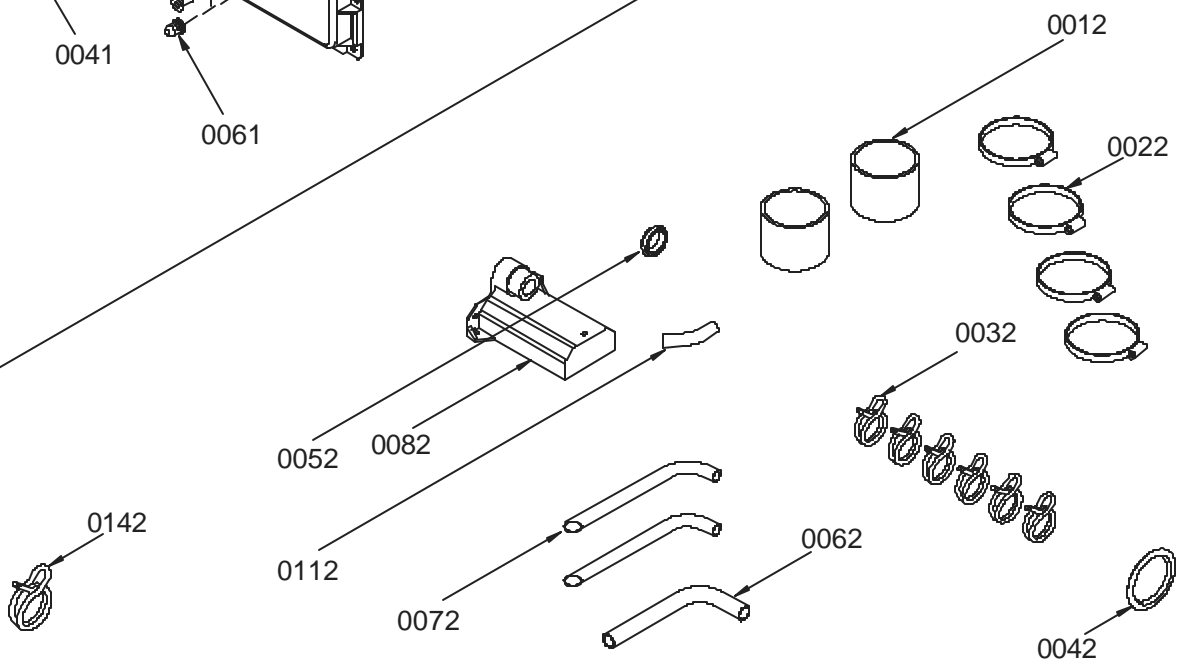


Image 2



# Recupe Coil Assembly/Standpipe Bag Assy

Ref Part No:	Description:	Ref. Part No:	Description:
--------------	--------------	---------------	--------------

*Image 1:*

0021 11086005	TURBULATOR (QTY AR)
0031 20170801	COVER-FRONT (M1)
0031 20170802	COVER-FRONT (M2)
0031 20170901	COVER-FRONT (M3)
0031 20170902	COVER-FRONT (M4)
0031 20171001	COVER-FRONT (M5)
0031 20171002	COVER-FRONT (M6)
0041 20215701	GASKET-COIL (M1, M2)
0041 20215702	GASKET-COIL (M3, M4)
0041 20215703	GASKET-COIL (M5, M6)
0061 M0326804	PLUG-TUBE (QTY AR)
0101 M0211031	SCREW-SM #10-5/8 (QTY AR)

*Image 2:*

0012 10254303	COUPLING-RUBBER (QTY AR)
0022 A3326008	CLAMP-HOSE (QTY AR)
0032 M0119207	CLAMP-HOSE (QTY AR)
0042 M0570803	PLUG-BUTTON (QTY AR)
0052 M0570804	PLUG-BUTTON
0062 20201901	HOSE-DRAIN
0072 20201801	TUBE-DRAIN (QTY AR)
0082 20171701	DRAIN TRAP
0112 20214201	DRAIN-ANGLE
0142 M0119205	CLAMP-HOSE (QTY AR)

Expanded Model and Color Nomenclature

M1 - GCCA045AX30	P1232401F
M2 - GCCA070AX30	P1232402F
M3 - GCCA070AX40	P1232403F
M4 - GCCA090AX40	P1232404F
M5 - GCCA090AX50	P1232405F
M6 - GCCA115AX50	P1232406F