

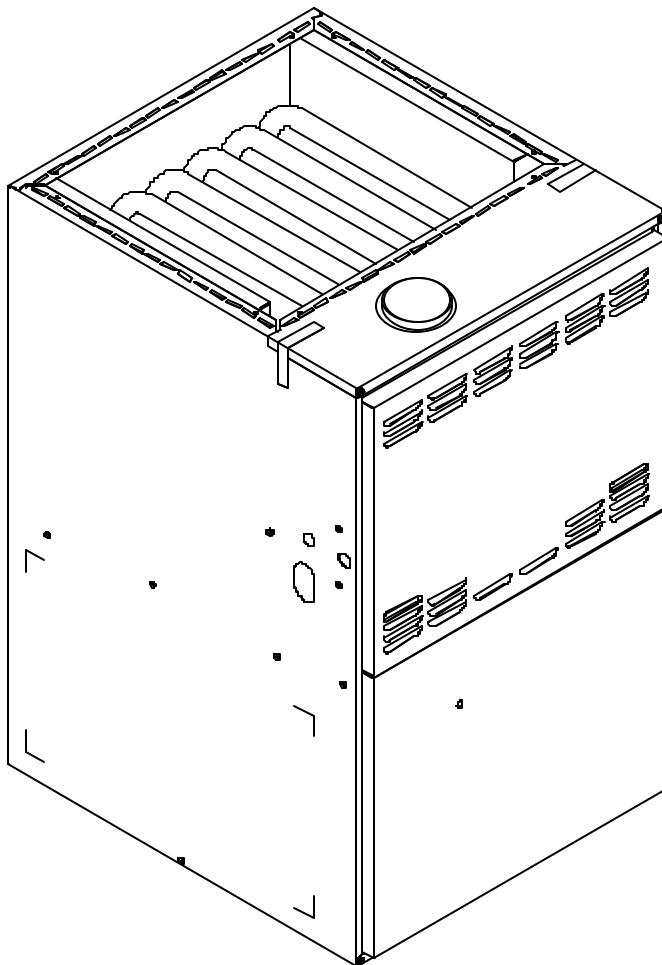
Models and manufacturing  
numbers in this manual

GCIS070CX35	P1230603F
GCIS070FX35	P1247003F
GCIS090CX50	P1230605F
GCIS090FX50	P1247005F

# Service Parts

## GCIS\* 80% Gas Furnace Units

This manual replaces RP6620032 Rev 0.



This manual is to be used by  
qualified appliance technicians only.

Heating & Air Conditioning  
**Amana**  
Comfort. Quality. Trust.

Amana is a trademark of Maytag Worldwide N.V. and used under license to Goodman Company, L.P. All rights reserved.

RP6620032  
Revision 1  
January 2002

## **Important Information**

---

Amana is not responsible for personal injury or property damage resulting from improper service. Review all service information before beginning repairs.

Warranty service must be performed by an authorized technician, using authorized factory parts. If service is required after the warranty expires, Amana also recommends contacting an authorized technician and using authorized factory parts.

For assistance within the U.S.A. contact:

Consumer Affairs Department  
Goodman Company, L.P.  
7401 Security Way  
Houston, Texas 77040  
877-254-4729-Telephone  
713-863-2382-Facsimile

For assistance outside the U.S.A. contact:

International Division  
Goodman Company, L.P.  
7401 Security Way  
Houston, Texas 77040  
713-861-2500-Telephone  
713-863-2382-Facsimile

# Index

Functional Parts List .....	5
Illustration and Parts .....	6 - 15

*Views shown are for parts illustrations only, not servicing procedures.*

Rev 1; Adds GCIS\*FX models

### Text Codes:

AR - As Required

NA - Not Available

NS - Not Shown

00000000 - See Note

QTY - Quantity Example (QTY 3) (If Quantity not shown, Quantity = 1)

M - Model Example (M1) (If M Code not shown, then part is used on all Models)

### Expanded Model and Color Nomenclature:

Example

M1 - Model#1 P \_\_\_\_\_

M2 - Model#2 P \_\_\_\_\_

M3 - Model#3 P \_\_\_\_\_



# Functional Parts

## Part

## No: Description:

---

10735102	BECKETT BURNER (QTY AR)
11177202	BLOWER-ID
D6879740	CAPACITOR (M2, M4)
D6879747	CAPACITOR (M1, M3)
20300001	CONTROL-INTEG (M3, M4)
10207708	CONTROL-INTEG (M1, M2)
10735201	FLAME-SENSOR
11176909	HARNESS-WIRING (ID BLOWER/IGNITOR-5 PIN CONNECTOR) (M3, M4)
11176904	HARNESS-WIRING (ID BLOWER/IGNITOR-5 PIN CONNECTOR) (M1, M2)
11176905	HARNESS-WIRING (MAIN-12 PIN CONNECTOR)
10735003	IGNITOR (M1, M2)
11111701	IGNITOR-SINI (M3, M4)
10728306	LIMIT (PRIMARY) (M1, M3)
10728319	LIMIT (PRIMARY) (M2, M4)
10123525	LIMIT-RESET MAN (AUXILIARY)
10123531	LIMIT-RESET MAN (ROLLOUT) (M2, M4)
10123528	LIMIT-RESET MAN (ROLLOUT) (M1, M3)
20046606	MOTOR-BLOW 1/2 HP (M1, M3)
10759409	MOTOR-BLOW 3/4 HP (M2, M4)
10716003	ORIFICE (QTY AR)
10690402	SWITCH-INTERLOCK (M3, M4)
10690401	SWITCH-INTERLOCK (M1, M2)
11177101	SWITCH-PRESSURE
C6349703	TRANSFORMER
C6476909	VALVE-GAS
D6723316	WHEEL-BLOWER (M1, M3)
D6723302	WHEEL-BLOWER (M2, M4)

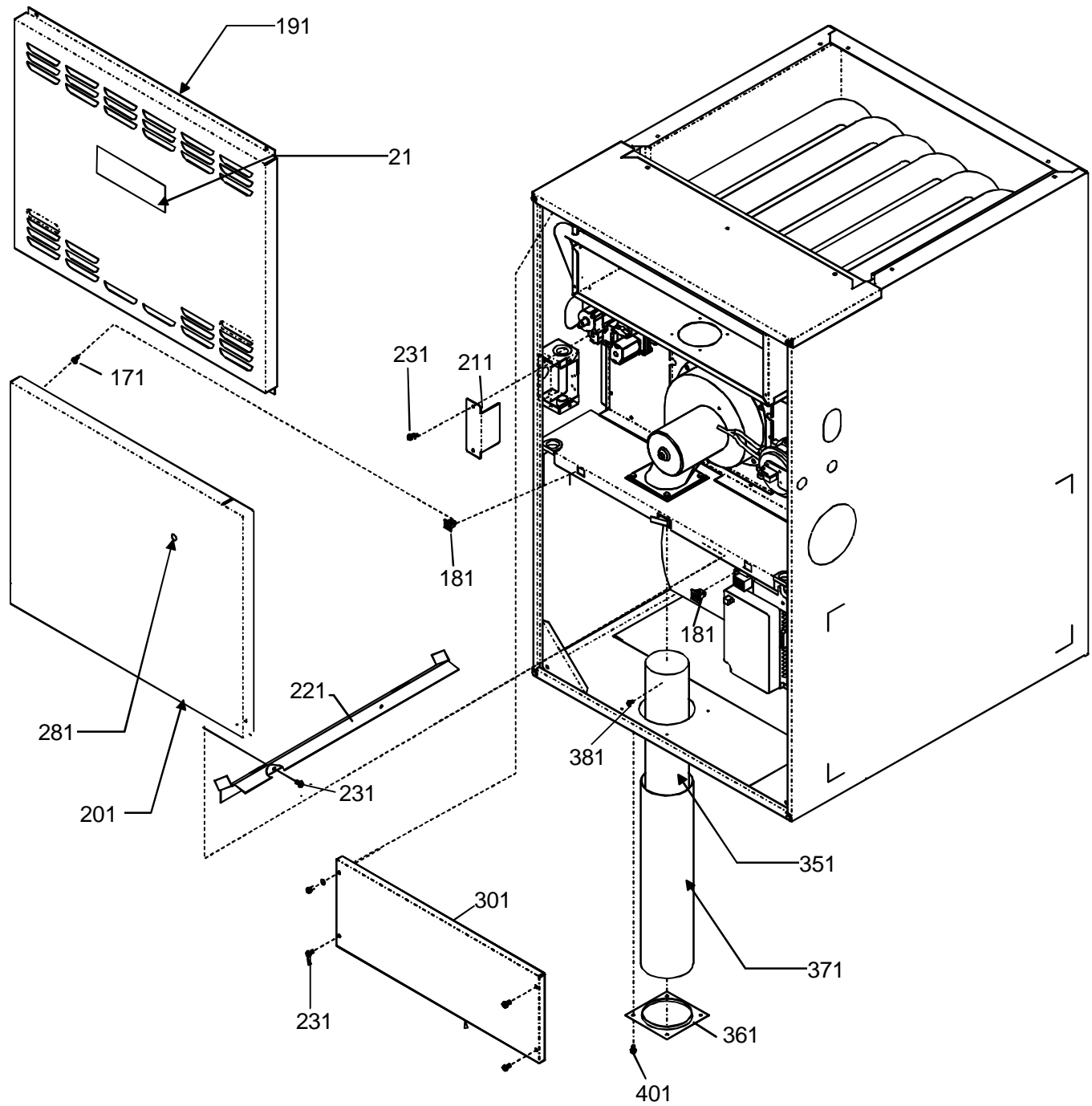
### SPECIAL PARTS

10758009	CERT-WARRANTY
10759825	INSTRUCT-INSTALL (M1, M2)
10759832	INSTRUCT-INSTALL (M3, M4)
RS6600001	MANUAL-SERVICE
RT6621005	MANUAL-TECHNICAL (M1, M2)
RT6621010	MANUAL-TECHNICAL (M3, M4)
10759617	MANUAL-USERS (M1, M2)
10759625	MANUAL-USERS (M3, M4)
20024603	MANUAL-VENTING (M1, M2)
20024604	MANUAL-VENTING (M3, M4)
RP6620032	PARTS MANUAL
11110618	SPEC-SHEET

### Expanded Model and Color Nomenclature

M1 - GCIS070CX35	P1230603F
M2 - GCIS090CX50	P1230605F
M3 - GCIS070FX35	P1247003F
M4 - GCIS090FX50	P1247005F

# Cabinet Assembly



# Cabinet Assembly

**Ref. Part**

**No: No:**

**Description:**

**Ref. Part**

**No: No:**

**Description:**

*Image 1:*

---

21	20213210	NAMEPLATE-AMANA
171	10690101	STRIKE-DOOR (QTY 2)
181	10690002	DOOR CATCH ASSY (QTY 2)
191	20272901	DOOR-ACCESS (M1, M3)
191	20272902	DOOR-ACCESS (M2, M4)
201	20272801	DOOR-BLOWER (M1, M3)
201	20272802	DOOR-BLOWER (M2, M4)
211	10736201	COVER-HV BOX
221	10368501	RAIL-FILTER
231	M0216529	SCREW-SM (QTY 8)
281	11104001	SNAP-BUSHING CLR
301	10734607	BOX-FRONT BNR (M1, M3)
301	10734608	BOX-FRONT BNR (M2, M4)
351	B9268909	PIPE-FLUE
361	20274501	BRKT-VENT TUBE
371	11022002	TUBE-VENT
381	M0233716	SCREW-SD
401	M0216716	SCREW-SM (QTY 4)

## Expanded Model and Color Nomenclature

M1 - GCIS070CX35	P1230603F
M2 - GCIS090CX50	P1230605F
M3 - GCIS070FX35	P1247003F
M4 - GCIS090FX50	P1247005F



# Manifold & Partition Tube Assemblies

Ref. Part No:	Ref. Part No:	Description:	Description:
---------------	---------------	--------------	--------------

*Image 1:*

51	11094107	HEAT EXCHANGER (M1)
51	11094112	HEAT EXCHANGER (M2, M4)
51	11094124	HEAT EXCHANGER (M3)
61	10728601	BRKT-LINER MTG
71	10728602	BRKT-LINER MTG
91	10728708	LINER-CABINET (M1, M3)
91	10728709	LINER-CABINET (M2, M4)
161	10728503	RAIL-PART PANEL
161	M0216516	SCREW-SM (M3, M4)
171	10728504	RAIL-PART PANEL
301	10624003	INSERT-MESH TUBE (M1, M3, M4)
321	11072202	SHIELD-ORIFICE (M1, M3)
321	11072203	SHIELD-ORIFICE (M2, M4)
371	10728306	LIMIT (PRIMARY) (M1, M3)
371	10728319	LIMIT (PRIMARY) (M2, M4)
551	M0219916	SCREW-SM (QTY AR)
561	M0224303	SCREW-SM (QTY AR)
581	11008801	BAFFLE-DECK (M1, M3)
651	M0211020	SCREW-SM (QTY 2)
831	11008306	BAFFLE-LINER

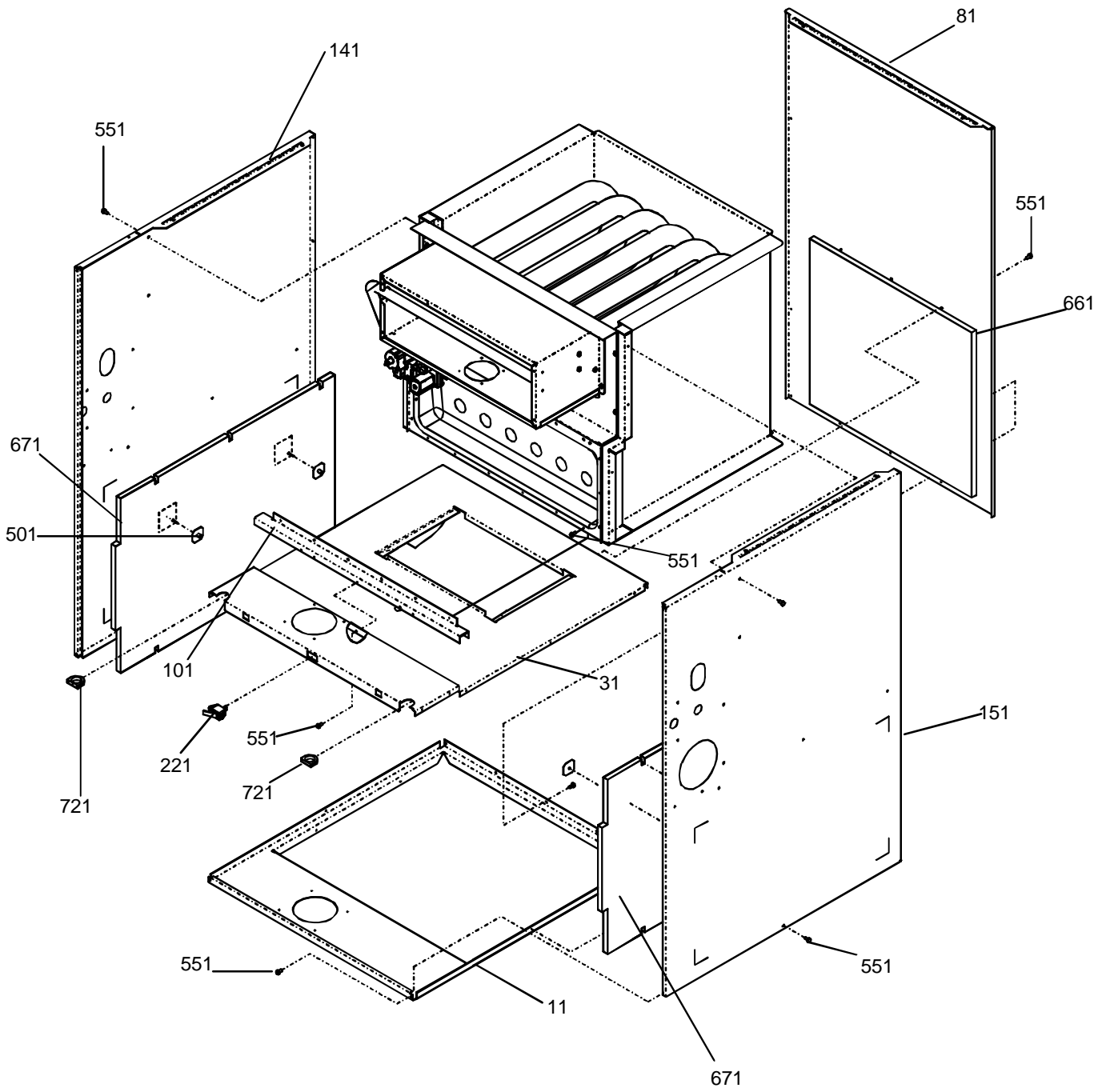
*Image 2:*

12	10735003	IGNITOR (M1, M2)
12	11111701	IGNITOR-SINI (M3, M4)
22	C6476909	VALVE-GAS
32	10716003	ORIFICE (QTY AR)
42	10735201	FLAME-SENSOR
52	10123528	LIMIT-RESET MAN (ROLLOUT) (M1, M3)
52	10123531	LIMIT-RESET MAN (ROLLOUT) (M2, M4)
62	10568802	MANIFOLD (M1, M3)
62	10568803	MANIFOLD (M2, M4)
72	10735102	BECKETT BURNER (QTY AR)
82	10734411	BOX-BURNER (M1, M3)
82	10734412	BOX-BURNER (M2, M4)
92	11008102	BRKT-BURNER (M1, M3)
92	11008103	BRKT-BURNER (M2, M4)
102	10734702	BRKT-LOCK BURNER (M1, M3)
102	10734703	BRKT-LOCK BURNER (M2, M4)
112	10734503	TOP-BOX BURNER (M2, M4)
112	20177102	TOP-BRNR BOX (M1, M3)
122	M0253516	SCREW-TR (QTY 2)
142	11008703	BRKT-SENSOR
162	M0216519	SCREW-SM (M1, M2)
202	M0216529	SCREW-SM (QTY AR)

Expanded Model and Color Nomenclature

M1 - GCIS070CX35	P1230603F
M2 - GCIS090CX50	P1230605F
M3 - GCIS070FX35	P1247003F
M4 - GCIS090FX50	P1247005F

# Cabinet Assembly



# Cabinet Assembly

**Ref. Part**

**No: No:**

**Description:**

**Ref. Part**

**No: No:**

**Description:**

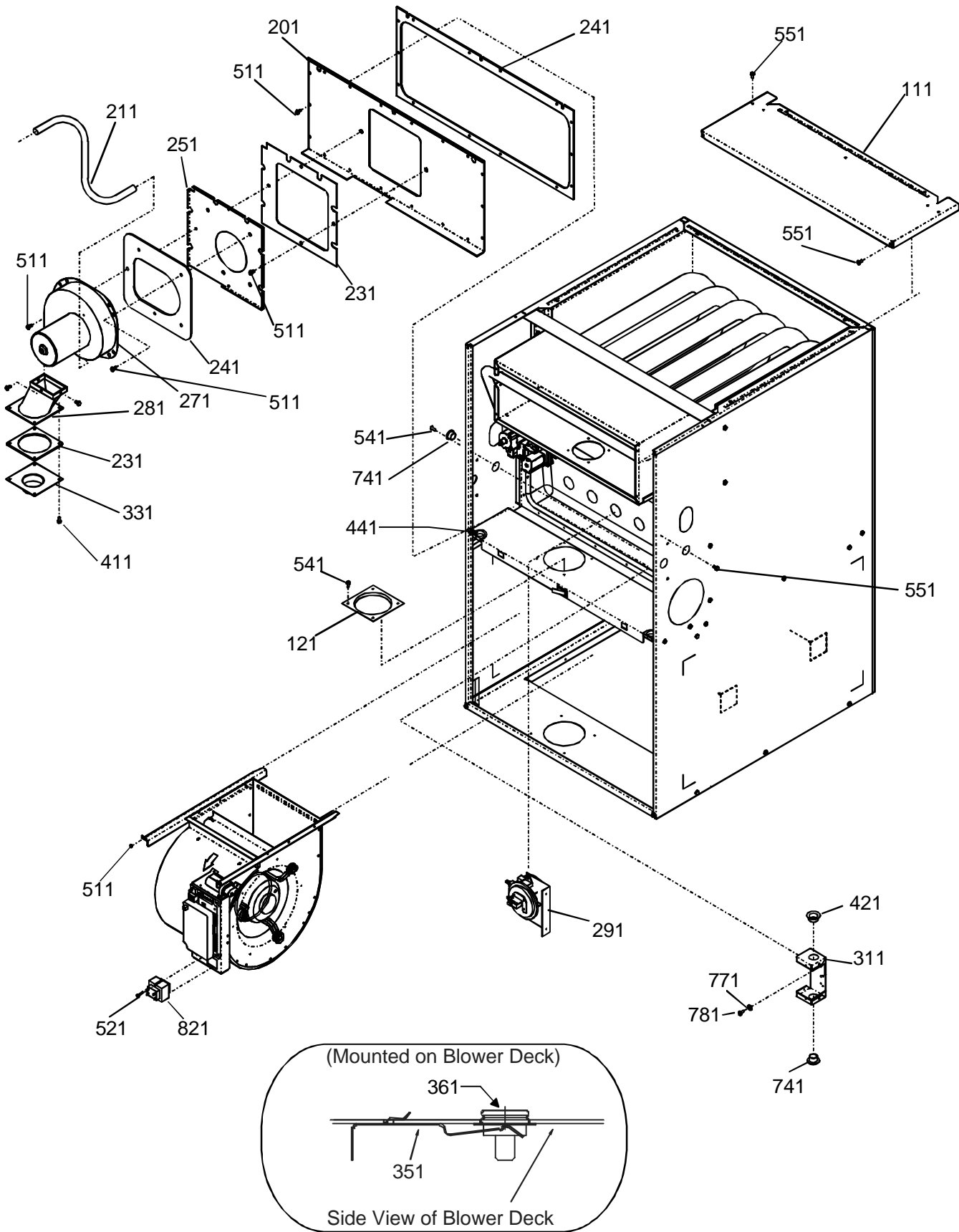
*Image 1:*

11	20273504	BASEPAN-C'FLOW (M1, M3)
11	20273505	BASEPAN-C'FLOW (M2, M4)
31	11024501	DECK-PIERCED BLWR (M1, M3)
31	11024502	DECK-PIERCED BLWR (M2, M4)
81	20273204	PANEL-BACK (M1, M3)
81	20273205	PANEL-BACK (M2, M4)
101	10728404	SUPPORT-PART PAN (M1, M3)
101	10728405	SUPPORT-PART PAN (M2, M4)
141	20273801	PANEL-SIDE LH CF
151	20273901	PANEL-SIDE RH CF
221	10690401	SWITCH-INTERLOCK (M1, M2)
221	10690402	SWITCH-INTERLOCK (M3, M4)
501	M0107601	HANGER-INSUL (QTY 4)
551	M0219916	SCREW-SM (QTY AR)
661	20006601	INSULATION (M1, M3)
661	20006602	INSULATION (M2, M4)
671	20243502	INSULATION-SIDE (QTY 2)
721	A4568804	GROMMET-D (QTY 2)

## Expanded Model and Color Nomenclature

M1 - GCIS070CX35	P1230603F
M2 - GCIS090CX50	P1230605F
M3 - GCIS070FX35	P1247003F
M4 - GCIS090FX50	P1247005F

# Vent System & Controls



# Vent System & Controls

Ref. Part No:	No:	Description:	Ref. Part No:	No:	Description:
---------------	-----	--------------	---------------	-----	--------------

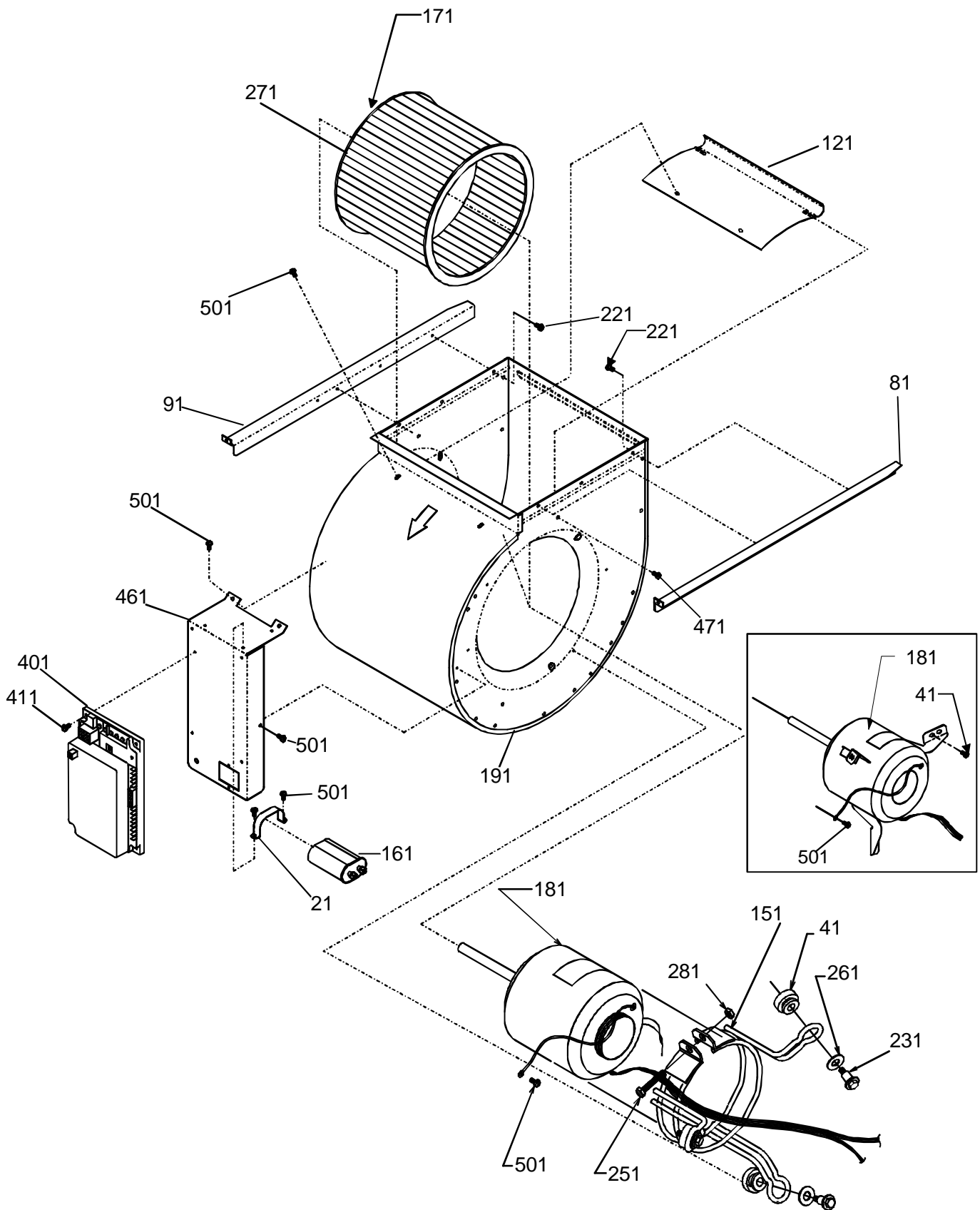
Image 1:

111	20273304	COVER (M1, M3)
111	20273305	COVER (M2, M4)
201	10764404	PLATE-PARTITION (M1, M3)
201	10764405	PLATE-PARTITION (M2, M4)
211	B1410310	HOSE-PRESSURE SW
231	10764601	GASKET-ROTATE PLT
241	11142201	GASKET-COLL/ID (M1, M3)
241	11142202	GASKET-COLL/ID (M2, M4)
251	10764314	PLATE-ROTATING
271	11177202	BLOWER-ID
281	11072302	TRAN-ID BLOW
291	11177101	SWITCH-PRESSURE
311	10736102	BOX-HIGH VOLTAGE
331	11009703	TOP-TRAN PLATE
351	10861101	BRKT-AUX LIMIT
361	20274501	BRKT-VENT TUBE
361	10123525	LIMIT-RESET MAN (AUXILIARY)
411	M0253516	SCREW-TR (QTY 4)
421	A4554801	BUSHING-SNAP
441	11001301	GASKET-COMPT (QTY 2)
511	M0219918	SCREW-SM (QTY AR)
521	M0216536	SCREW-SM (M1, M2, M4)
541	M0216716	SCREW-SM (QTY 6)
551	M0219916	SCREW-SM (QTY AR)
741	M0571002	BUSHING-SNAP (QTY 2)
771	M0270001	WASHER-CUP
781	M0227803	SCREW-TC
821	C6349703	TRANSFORMER

## Expanded Model and Color Nomenclature

M1 - GCIS070CX35	P1230603F
M2 - GCIS090CX50	P1230605F
M3 - GCIS070FX35	P1247003F
M4 - GCIS090FX50	P1247005F

# Blower Assembly & Integrated Control



# Blower Assembly & Integrated Control

Ref. Part No:	No:	Description:	Ref. Part No:	No:	Description:
<i>Image 1:</i>					
21	A3410501	STRAP-CAPACITOR (M2, M4)			
21	A4055402	STRAP-CAPACITOR (M1, M3)			
41	A4002702	GROMMET (M2, M4)			
41	M0250558	SCREW-TC (M1, M3)			
81	10744901	RAIL-SIDE BLOWER (M2, M3, M4)			
91	10744902	RAIL-SIDE BLOWER (M2, M3, M4)			
121	C6121802	CUTOFF (M1, M3)			
121	C6121810	CUTOFF (M2, M4)			
151	C9443702	BRKT-MOTOR MT (M2, M4)			
161	D6879740	CAPACITOR (M2, M4)			
161	D6879747	CAPACITOR (M1, M3)			
171	D6723302	WHEEL-BLOWER (M2, M4)			
171	D6723316	WHEEL-BLOWER (M1, M3)			
181	20046606	MOTOR-BLOW 1/2 HP (M1, M3)			
181	10759409	MOTOR-BLOW 3/4 HP (M2, M4)			
191	11185802	BLOWER HSG WELD (M1, M3)			
191	11185803	BLOWER HSG WELD (M2, M4)			
221	M0253516	SCREW-TR (QTY 6)			
231	M0221461	SCREW-TC (M2, M4)			
251	M0267144	SCREW-MACH (M2, M4)			
261	M0274008	WASHER-FLAT (M2, M4)			
271	M0275602	SEALER-THD			
281	M0282015	NUT-KEPS (M2, M4)			
401	10207708	CONTROL-INTEG (M1, M2)			
401	20300001	CONTROL-INTEG (M3, M4)			
411	M0216531	SCREW-SM (M1, M2, M3)			
461	10746205	BRKT-CONTROL (M1, M2)			
471	M0211020	SCREW-SM (QTY 2)			
501	M0219916	SCREW-SM (QTY 8)			
NS	M0321202	TIE-ELEC LG			

## Expanded Model and Color Nomenclature

M1 - GCIS070CX35	P1230603F
M2 - GCIS090CX50	P1230605F
M3 - GCIS070FX35	P1247003F
M4 - GCIS090FX50	P1247005F