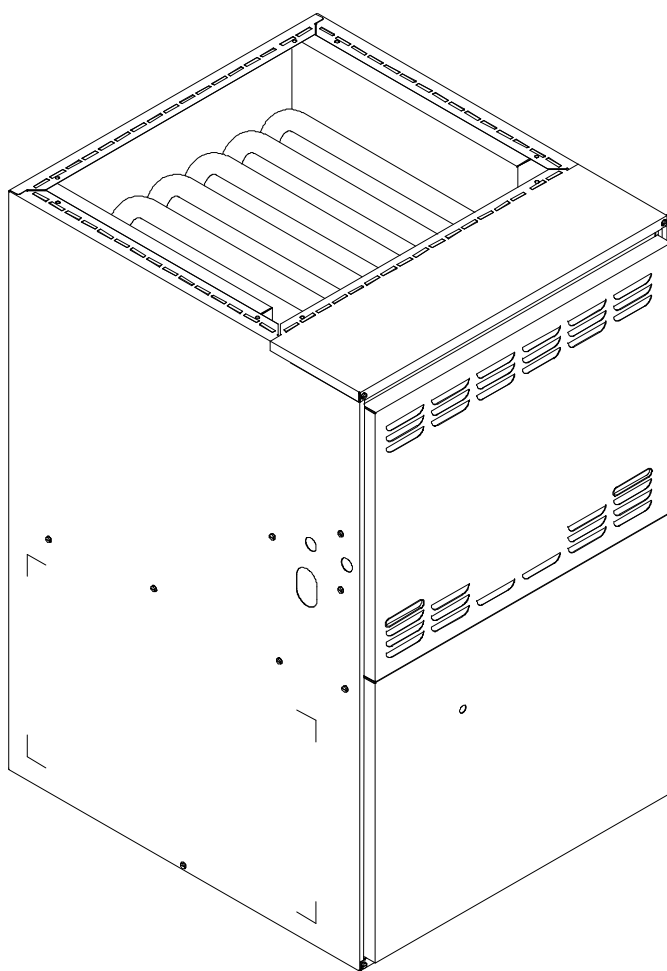


Parts

GCIC Gas Furnace

Models and manufacturing numbers in this manual

GCIC045CX30	P1230401F
GCIC070CX30	P1230402F
GCIC070CX40	P1230403F
GCIC090CX30	P1230404F
GCIC090CX50	P1230405F
GCIC115CX40	P1230406F
GCIC115CX50	P1230407F
GCIC140CX50	P1230408F



This manual is to be used by qualified appliance technicians only. Amana does not assume any responsibility for property damage or personal injury for improper service procedures done by an unqualified person.

Amana

RP6620029
Revision 0
March 2000

Important Information

Amana is not responsible for personal injury or property damage resulting from improper service. Review all service information before beginning repairs.

Warranty service must be performed by an authorized technician, using authorized factory parts. If service is required after the warranty expires, Amana also recommends contacting an authorized technician and using authorized factory parts. Locate an authorized technician by calling 800-NATLSVC (800-628-5782).

For assistance within the U.S.A. contact:

Consumer Affairs Department
Amana
2800 220th Trail
Amana IA 52204-0001
319-622-5511--Telephone
319-622-2977--Facsimile

For assistance outside the U.S.A. contact:

International Division
Amana
2800 220th Trail
Amana IA 52204-0001
USA
319-622-5511--Telephone
319-622-8595--Facsimile

Index

Functional Parts List	4 - 5
Illustration and Parts	6 - 13

Views shown are for parts illustrations only, not servicing procedures.

Text Codes:

AR - As Required

NA - Not Available

NS - Not Shown

00000000 - See Note

QTY - Quantity Example (QTY 3) (If Quantity not shown, Quantity = 1)

M - Model Example (M1) (If M Code not shown, then part is used on all Models)

Expanded Model and Color Nomenclature:

Example	
M1 - Model#1	P _____
M2 - Model#2	P _____
M3 - Model#3	P _____

Functional Parts

Part

No: Description:

20044401	BLOWER-ID
D6879753	CAPACITOR (M2)
D6879747	CAPACITOR (M1, M3, M6)
D6879739	CAPACITOR (M4)
D6879740	CAPACITOR (M5, M7, M8)
10207709	CONTROL-INTEG
10735201	FLAME-SENSOR
11135203	HARNESS-WIRING
10735002	IGNITOR
10728328	LIMIT PRIMARY (M2)
10728329	LIMIT PRIMARY (M6, M8)
10728318	LIMIT PRIMARY (M1)
10728312	LIMIT PRIMARY (M4)
10728306	LIMIT PRIMARY (M3)
10728319	LIMIT PRIMARY (M5)
10728302	LIMIT PRIMARY (M7)
10123525	LIMIT-RESET MAN (AUXILIARY)
10123531	LIMIT-RESET MAN (ROLLOUT) (M3, M4, M5)
10123528	LIMIT-RESET MAN (ROLLOUT) (M2, M6, M7, M8)
10123530	LIMIT-RESET MAN (ROLLOUT) (M1)
20046604	MOTOR BLOW 1/3 HP (M1)
20046609	MOTOR-BLOW 1/2 HP (M4)
20046611	MOTOR-BLOW 1/2 HP (M6)
20046606	MOTOR-BLOW 1/2 HP (M3)
20046605	MOTOR-BLOW 1/3 HP (M2)
10759409	MOTOR-BLOW 3/4 HP (M5)
10759410	MOTOR-BLOW 3/4 HP (M7, M8)
10716003	ORIFICE (QTY AR)
10690401	SWITCH-INTERLOCK
10727920	SWITCH-PRESSURE
C6349703	TRANSFORMER
C6476907	VALVE-GAS

Functional Parts

Part

No: **Description:**

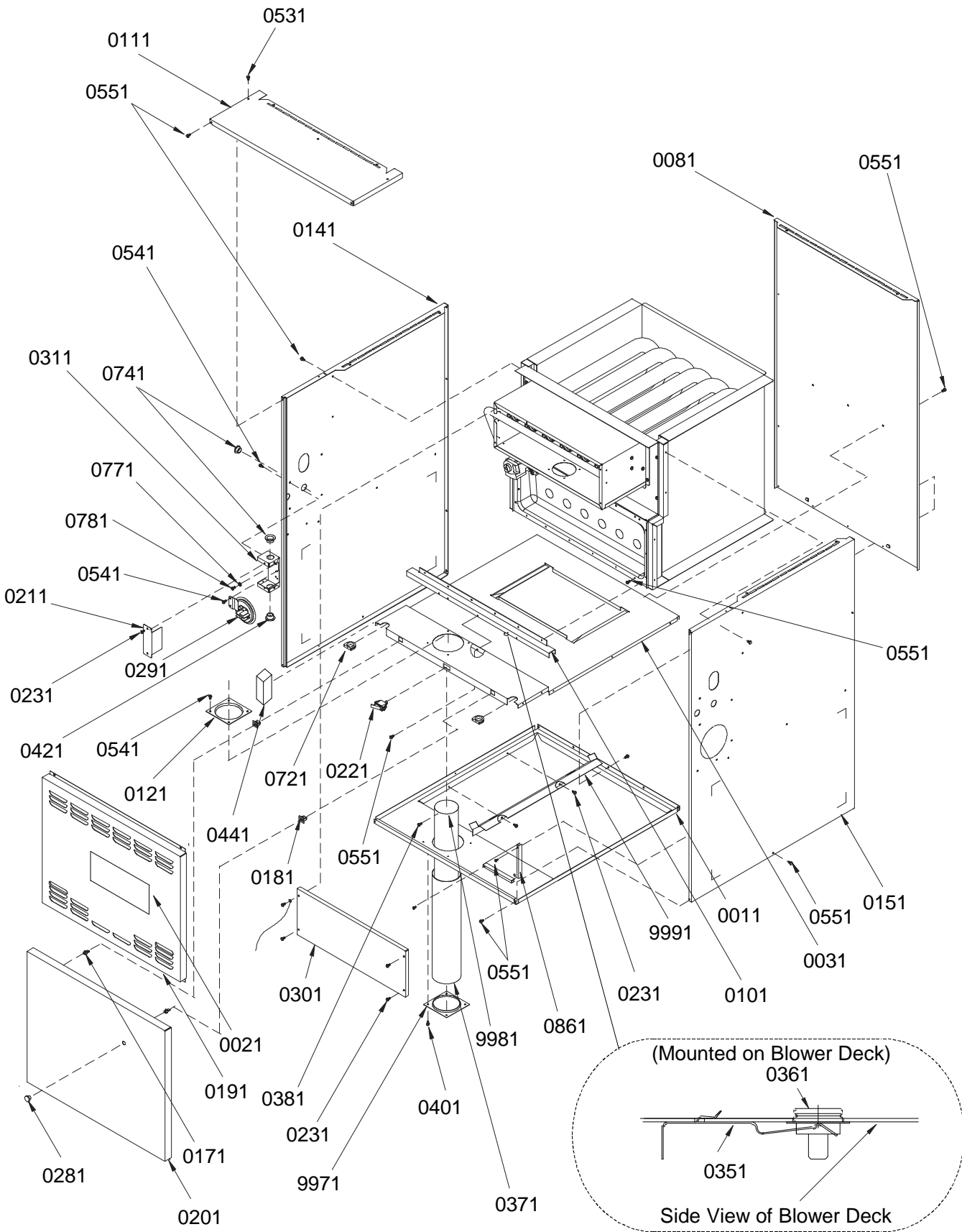
SPECIAL PARTS

11067325 INSTR-HI ALT FR
11067376 INSTR-INSTALL FR
11067324 INSTR-LP FR
10759826 INSTRUCT-INSTALL
RP6620029 MANUAL-PARTS
10759619 MANUAL-USERS
11067378 MANUAL-USERS FR
11110621 SPEC SHEET
11067377 SPEC SHEET FR

Expanded Model and Color Nomenclature

M1 - GCIC045CX30	P1230401F
M2 - GCIC070CX30	P1230402F
M3 - GCIC070CX40	P1230403F
M4 - GCIC090CX30	P1230404F
M5 - GCIC090CX50	P1230405F
M6 - GCIC115CX40	P1230406F
M7 - GCIC115CX50	P1230407F
M8 - GCIC140CX50	P1230408F

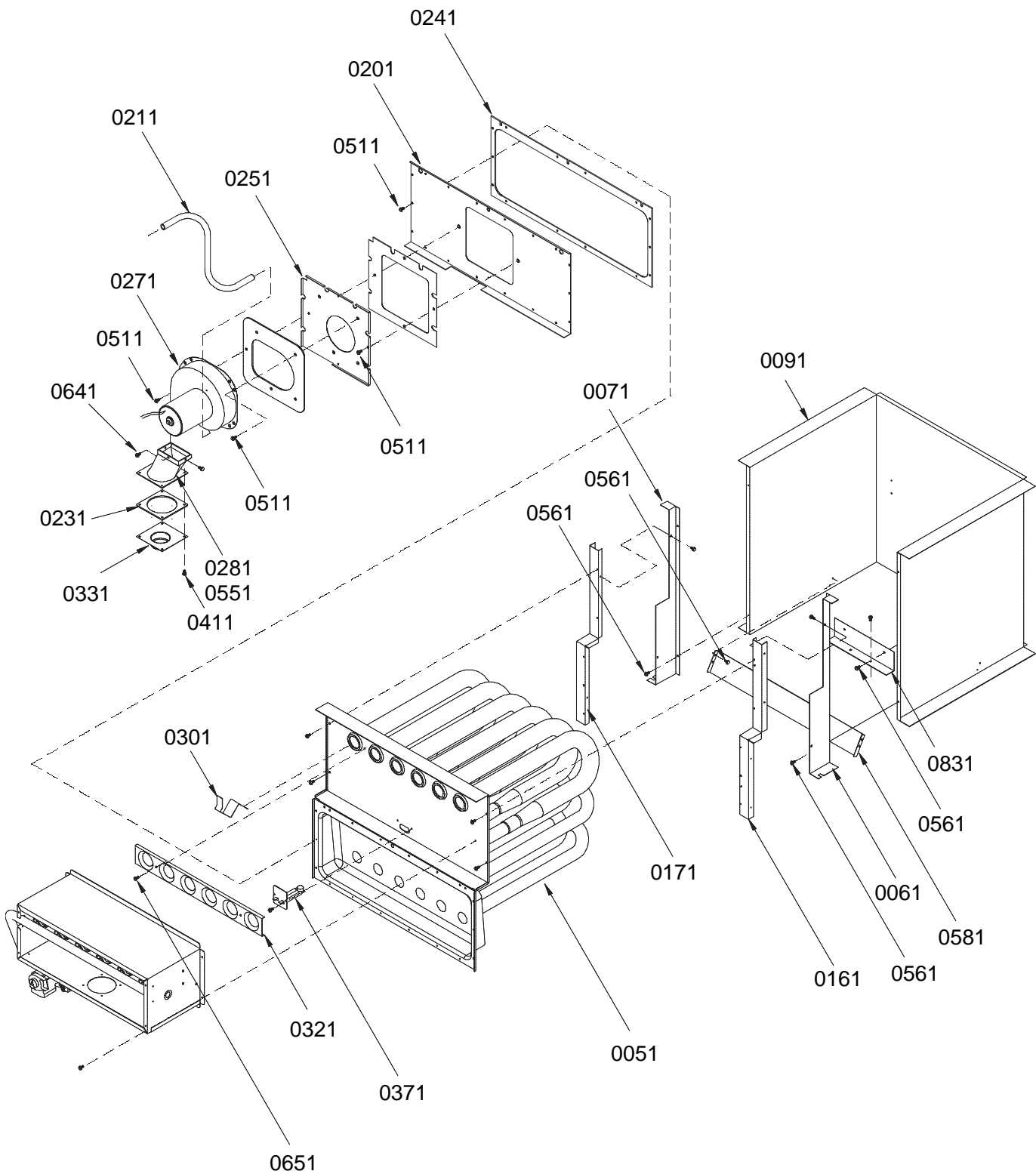
Cabinet Assembly



Cabinet Assembly

Ref. Part No:	Part No:	Description:	Ref. Part No:	Part No:	Description:
<i>Image 1:</i>			0861	11094903	BRKT-CORNER (QTY 2)
0011	20273504	BASEPAN-C'FLOW (M1, M2, M3)	9971	20274501	BRKT-VENT TUBE
0011	20273505	BASEPAN-C'FLOW (M4, M5)	9981	B9268909	PIPE-FLUE
0011	20273506	BASEPAN-C'FLOW (M6, M7, M8)	9991	10368501	RAIL-FILTER
0021	20213209	NAMEPLATE-AMANA	Expanded Model and Color Nomenclature		
0031	11024502	DECK-PIERCED BLWR (M4, M5)	M1 - GCIC045CX30		P1230401F
0031	11024503	DECK-PIERCED BLWR (M6)	M2 - GCIC070CX30		P1230402F
0031	11024504	DECK-PIERCED BLWR (M1, M2, M3)	M3 - GCIC070CX40		P1230403F
0031	11024505	DECK-PIERCED BLWR (M7, M8)	M4 - GCIC090CX30		P1230404F
0081	20273204	PANEL-BACK (M1, M2, M3)	M5 - GCIC090CX50		P1230405F
0081	20273205	PANEL-BACK (M4, M5)	M6 - GCIC115CX40		P1230406F
0081	20273206	PANEL-BACK (M6, M7, M8)	M7 - GCIC115CX50		P1230407F
0101	10728404	SUPPORT-PART PAN (M1, M2, M3)	M8 - GCIC140CX50		P1230408F
0101	10728405	SUPPORT-PART PAN (M4, M5)			
0101	10728406	SUPPORT-PART PAN (M6, M7, M8)			
0111	20273304	COVER (M1, M2, M3)			
0111	20273305	COVER (M4, M5)			
0111	20273306	COVER (M6, M7, M8)			
0121	20274501	BRKT-VENT TUBE			
0141	20273801	PANEL-SIDE LH CF			
0151	20273901	PANEL-SIDE RH CF			
0171	10690101	STRIKE-DOOR (QTY 2)			
0181	10690002	DOOR CATCH ASSY (QTY 2)			
0191	20272901	DOOR-ACCESS (M1, M2, M3)			
0191	20272902	DOOR-ACCESS (M4, M5)			
0191	20272903	DOOR-ACCESS (M6, M7, M8)			
0201	20272801	DOOR-BLOWER (M1, M2, M3)			
0201	20272802	DOOR-BLOWER (M4, M5)			
0201	20272803	DOOR-BLOWER (M6, M7, M8)			
0211	10736201	COVER-HV BOX			
0221	10690401	SWITCH-INTERLOCK			
0231	M0216529	SCREW-SM (QTY AR)			
0281	11104001	SNAP-BUSHING CLR			
0291	10727920	SWITCH-PRESSURE			
0301	10734606	BOX-FRONT BNR (M1)			
0301	10734607	BOX-FRONT BNR (M2, M3)			
0301	10734608	BOX-FRONT BNR (M4, M5)			
0301	10734609	BOX-FRONT BNR (M6, M7)			
0301	10734610	BOX-FRONT BNR (M8)			
0311	10736102	BOX-HIGH VOLTAGE			
0351	10861101	BRKT-AUX LIMIT			
0361	10123525	LIMIT-RESET MAN (AUXILIARY)			
0371	11022002	TUBE-VENT			
0381	M0233716	SCREW-SD			
0401	M0216716	SCREW-SM (QTY AR)			
0421	A4554801	BUSHING-SNAP			
0441	11001301	GASKET-COMPT (QTY 2)			
0531	M0211530	SCREW-SM (QTY AR)			
0541	M0216716	SCREW-SM (QTY AR)			
0551	M0219916	SCREW-SM (QTY AR)			
0721	A4568804	GROMMET-D (QTY 2)			
0741	M0571002	BUSHING-SNAP (QTY 2)			
0771	M0270001	WASHER-CUP			
0781	M0227803	SCREW-TC			

Partition Tube Assembly & Collector Box



Partition Tube Assembly & Collector Box

Ref. Part No: No:	Description:	Ref. Part No: No:	Description:
-------------------	--------------	-------------------	--------------

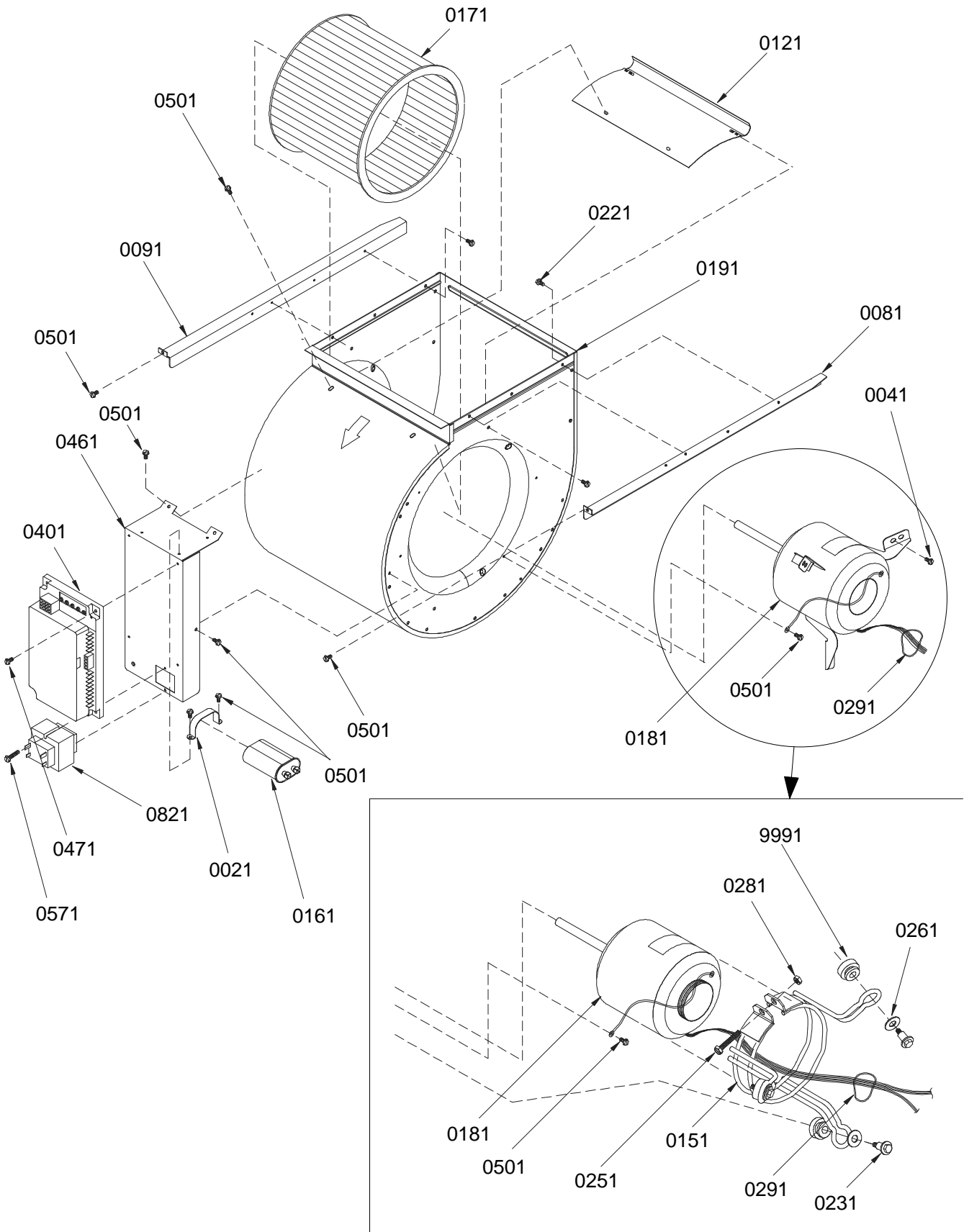
Image 1:

0051	11094106	PART/TUBE ASSY (M1)
0051	11094107	PART/TUBE ASSY (M2, M3)
0051	11094108	PART/TUBE ASSY (M4, M5)
0051	11094109	PART/TUBE ASSY (M6, M7)
0051	11094111	PART/TUBE ASSY (M8)
0061	10728601	BRKT-LINER MTG
0071	10728602	BRKT-LINER MTG
0091	10728707	LINER-CABINET (M1)
0091	10728708	LINER-CABINET (M2, M3)
0091	10728709	LINER-CABINET (M4, M5)
0091	10728710	LINER-CABINET (M6, M7)
0091	10728711	LINER-CABINET (M8)
0161	10728503	RAIL-PART PANEL
0171	10728504	RAIL-PART PANEL
0201	10764404	PLATE-PARTITION (M1, M2, M3)
0201	10764405	PLATE-PARTITION (M4, M5)
0201	10764406	PLATE-PARTITION (M6, M7, M8)
0211	B1410303	HOSE-PRESSURE SW (M4, M5)
0211	B1410304	HOSE-PRESSURE SW (M6, M7, M8)
0211	B1410311	HOSE-PRESSURE SW (M1, M2, M3)
0231	10764601	GASKET-ROTATE PLT
0241	11142201	GASKET-COLL/ID (M1, M2, M3)
0241	11142202	GASKET-COLL/ID (M4, M5)
0241	11142203	GASKET-COLL/ID (M6, M7, M8)
0251	10764309	PLATE-ROTATING (M2, M3)
0251	10764313	PLATE-ROTATING (M4, M5, M6, M7, M8)
0251	10764315	PLATE-ROTATING (M1)
0271	20044401	BLOWER-ID
0281	11072301	TRAN-ID BLOW
0301	10624002	INSERT-MESH TUBE (QTY AR)
0321	11072201	SHIELD-ORIFICE (M1)
0321	11072202	SHIELD-ORIFICE (M2, M3)
0321	11072203	SHIELD-ORIFICE (M4, M5)
0321	11072204	SHIELD-ORIFICE (M6, M7)
0321	11072205	SHIELD-ORIFICE (M8)
0331	11009703	TOP-TRAN PLATE
0371	10728302	LIMIT PRIMARY (M7)
0371	10728306	LIMIT PRIMARY (M3)
0371	10728312	LIMIT PRIMARY (M4)
0371	10728318	LIMIT PRIMARY (M1)
0371	10728319	LIMIT PRIMARY (M5)
0371	10728328	LIMIT PRIMARY (M2)
0371	10728329	LIMIT PRIMARY (M6, M8)
0411	M0253516	SCREW-TR (QTY AR)
0511	M0219918	SCREW-SM (QTY AR)
0551	M0219916	SCREW-SM (QTY AR)
0561	M0224303	SCREW-SM (QTY AR)
0581	11008801	BAFFLE-DECK (M2)
0581	11008802	BAFFLE-DECK (M4)
0581	11008803	BAFFLE-DECK (M6, M7)
0641	M0211021	SCREW-SM (QTY AR)
0651	M0211020	SCREW-SM (QTY AR)
0831	11008306	BAFFLE-LINER

Expanded Model and Color Nomenclature

M1 - GCIC045CX30	P1230401F
M2 - GCIC070CX30	P1230402F
M3 - GCIC070CX40	P1230403F
M4 - GCIC090CX30	P1230404F
M5 - GCIC090CX50	P1230405F
M6 - GCIC115CX40	P1230406F
M7 - GCIC115CX50	P1230407F
M8 - GCIC140CX50	P1230408F

Blower Assembly & Integrated Control



Blower Assembly & Integrated Control

Ref. Part No: No:	Description:	Ref. Part No: No:	Description:
-------------------	--------------	-------------------	--------------

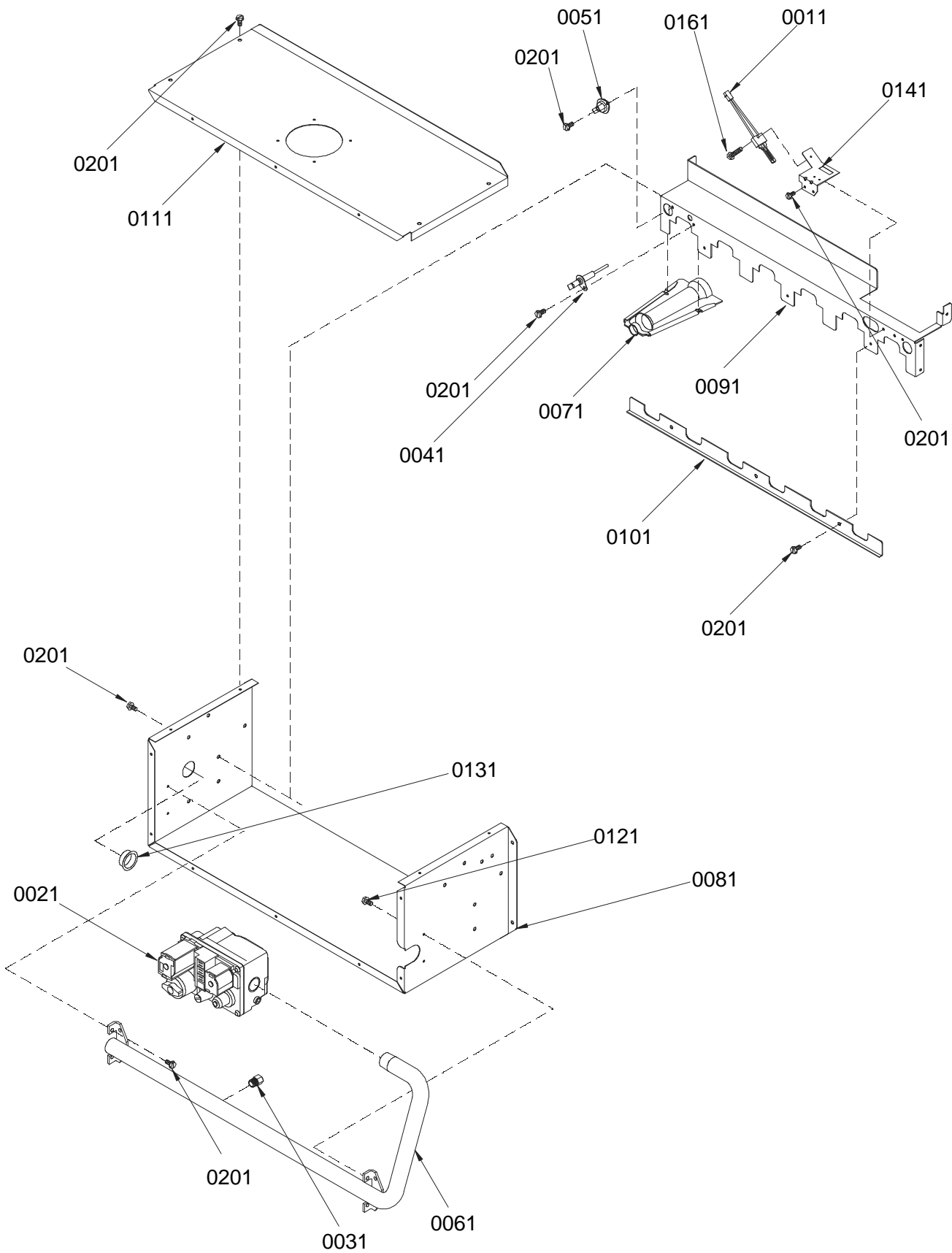
Image 1:

0021 A3410501	STRAP-CAPACITOR (M4, M5, M7, M8)
0021 A4055402	STRAP-CAPACITOR (M1, M2, M3, M6)
0041 M0250558	SCREW-TC (M1, M2, M3, M4, M6) (QTY 3)
0081 10744901	RAIL-SIDE BLOWER
0091 10744902	RAIL-SIDE BLOWER
0121 C6121803	CUTOFF (M6)
0121 C6121806	CUTOFF (M7, M8)
0121 C6121810	CUTOFF (M1, M2, M3, M4, M5)
0151 C9443701	BRKT-MOTOR MT (M7, M8)
0151 C9443702	BRKT-MOTOR MT (M5)
0161 D6879739	CAPACITOR (M4)
0161 D6879740	CAPACITOR (M5, M7, M8)
0161 D6879747	CAPACITOR (M1, M3, M6)
0161 D6879753	CAPACITOR (M2)
0171 D6723301	WHEEL-BLOWER (M1, M2)
0171 D6723302	WHEEL-BLOWER (M3, M4, M5)
0171 D6723303	WHEEL-BLOWER (M7, M8)
0171 D6723310	WHEEL-BLOWER (M6)
0181 20046604	MOTOR BLOW 1/3 HP (M1)
0181 20046606	MOTOR-BLOW 1/2 HP (M3)
0181 20046609	MOTOR-BLOW 1/2 HP (M4)
0181 20046611	MOTOR-BLOW 1/2 HP (M6)
0181 20046605	MOTOR-BLOW 1/3 HP (M2)
0181 10759409	MOTOR-BLOW 3/4 HP (M5)
0181 10759410	MOTOR-BLOW 3/4 HP (M7, M8)
0191 11185801	BLOWER HSG WELD (M1, M2)
0191 11185803	BLOWER HSG WELD (M3, M4, M5)
0191 11185804	BLOWER HSG WELD (M7, M8)
0191 11185808	BLOWER HSG WELD (M6)
0221 M0253516	SCREW-TR (QTY AR)
0231 M0221461	SCREW-TC (M5, M7, M8) (QTY 3)
0251 M0267144	SCREW-MACH (M5, M7, M8) (QTY AR)
0261 M0274008	WASHER-FLAT (M5, M7, M8) (QTY 3)
0281 M0282015	NUT-KEPS (M5, M7, M8) (QTY AR)
0291 M0321202	TIE-ELEC LG
0401 10207709	CONTROL-INTEG
0461 10746205	BRKT-CONTROL (M1, M2, M6, M7, M8)
0471 M0211020	SCREW-SM (QTY AR)
0501 M0219916	SCREW-SM (QTY AR)
0571 M0216536	SCREW-SM (QTY AR)
0821 C6349703	TRANSFORMER
9991 A4002702	GROMMET (M5, M7, M8) (QTY 3)

Expanded Model and Color Nomenclature

M1 - GCIC045CX30	P1230401F
M2 - GCIC070CX30	P1230402F
M3 - GCIC070CX40	P1230403F
M4 - GCIC090CX30	P1230404F
M5 - GCIC090CX50	P1230405F
M6 - GCIC115CX40	P1230406F
M7 - GCIC115CX50	P1230407F
M8 - GCIC140CX50	P1230408F

Manifold Assembly



Manifold Assembly

Ref. Part No:	Description:	Ref. Part No:	Description:
---------------	--------------	---------------	--------------

Image 1:

0011	10735002	IGNITOR
0021	C6476907	VALVE-GAS
0031	10716003	ORIFICE (QTY AR)
0041	10735201	FLAME-SENSOR
0051	10123528	LIMIT-RESET MAN (ROLLOUT) (M2, M6, M7, M8)
0051	10123530	LIMIT-RESET MAN (ROLLOUT) (M1)
0051	10123531	LIMIT-RESET MAN (ROLLOUT) (M3, M4, M5)
0061	10568801	MANIFOLD (M1)
0061	10568802	MANIFOLD (M2, M3)
0061	10568803	MANIFOLD (M4, M5)
0061	10568804	MANIFOLD (M6, M7)
0061	10568805	MANIFOLD (M8)
0071	10735102	BECKETT BURNER (QTY AR)
0081	10734410	BOX-BURNER (M1)
0081	10734411	BOX-BURNER (M2, M3)
0081	10734412	BOX-BURNER (M4, M5)
0081	10734413	BOX-BURNER (M6, M7)
0081	10734414	BOX-BURNER (M8)
0091	11008101	BRKT-BURNER (M1)
0091	11008102	BRKT-BURNER (M2, M3)
0091	11008103	BRKT-BURNER (M4, M5)
0091	11008104	BRKT-BURNER (M6, M7)
0091	11008105	BRKT-BURNER (M8)
0101	10734701	BRKT-LOCK BURNER (M1)
0101	10734702	BRKT-LOCK BURNER (M2, M3)
0101	10734703	BRKT-LOCK BURNER (M4, M5)
0101	10734704	BRKT-LOCK BURNER (M6, M7)
0101	10734705	BRKT-LOCK BURNER (M8)
0111	10734501	TOP-BOX BURNER (M1)
0111	10734503	TOP-BOX BURNER (M4, M5)
0111	10734504	TOP-BOX BURNER (M6, M7)
0111	10734505	TOP-BOX BURNER (M8)
0111	20177102	TOP-BRNR BOX (M2, M3)
0121	M0253516	SCREW-TR (QTY AR)
0131	A4554801	BUSHING-SNAP
0141	11008703	BRKT-SENSOR
0161	M0216519	SCREW-SM (QTY AR)
0201	M0216529	SCREW-SM (QTY AR)

Expanded Model and Color Nomenclature

M1 - GCIC045CX30	P1230401F
M2 - GCIC070CX30	P1230402F
M3 - GCIC070CX40	P1230403F
M4 - GCIC090CX30	P1230404F
M5 - GCIC090CX50	P1230405F
M6 - GCIC115CX40	P1230406F
M7 - GCIC115CX50	P1230407F
M8 - GCIC140CX50	P1230408F