

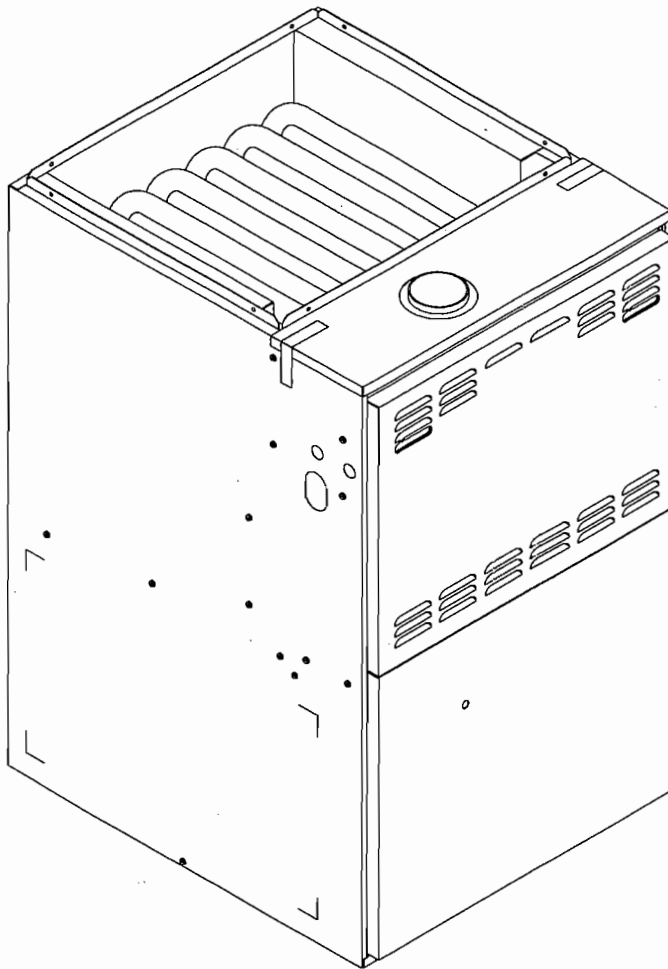
Parts

GUI Gas Furnace

This manual replaces RP6620026 Rev. 0

Models and manufacturing numbers in this manual

GUI070CA35	P1229903F
GUI070CX35	P1230103F
GUI070DA35	P1227103F
GUI090CA30	P1229904F
GUI090CA50	P1229905F
GUI090CX30	P1230104F
GUI090CX50	P1230105F
GUI115CA50	P1229907F
GUI115CX50	P1230107F
GUI140CA50	P1229908F



This manual is to be used by qualified appliance technicians only. Amana does not assume any responsibility for property damage or personal injury for improper service procedures done by an unqualified person.

Amana

RP6620026
Revision 1
July 2000

Important Information

Amana is not responsible for personal injury or property damage resulting from improper service. Review all service information before beginning repairs.

Warranty service must be performed by an authorized technician, using authorized factory parts. If service is required after the warranty expires, Amana also recommends contacting an authorized technician and using authorized factory parts. Locate an authorized technician by calling 800-NATLSVC (800-628-5782).

For assistance within the U.S.A. contact:

Consumer Affairs Department
Amana
2800 220th Trail
Amana IA 52204-0001
319-622-5511--Telephone
319-622-2977--Facsimile

For assistance outside the U.S.A. contact:

International Division
Amana
2800 220th Trail
Amana IA 52204-0001
USA
319-622-5511--Telephone
319-622-8595--Facsimile

Index

Functional Parts List	4 - 5
Illustration and Parts	6 - 15

Views shown are for parts illustrations only, not servicing procedures.

Revision 1: Added models P1229903F GUI5070CA35, P1230103F GUI5070CX35

Text Codes:

AR - As Required

NA - Not Available

NS - Not Shown

00000000 - See Note

QTY - Quantity Example (QTY 3) (If Quantity not shown, Quantity = 1)

M - Model Example (M1) (If M Code not shown, then part is used on all Models)

Expanded Model and Color Nomenclature:

Example	
M1 - Model#1	P _____
M2 - Model#2	P _____
M3 - Model#3	P _____

Functional Parts

Part

No: Description:

10735102	BECKETT BURNER (QTY AR)
11177202	BLOWER-ID
D6879740	CAPACITOR (M4, M5, M6, M9, M10)
D6879739	CAPACITOR (M3, M8)
10207708	CONTROL-INTEG
10735201	FLAME-SENSOR
11176904	HARNESS-WIRING
11176905	HARNESS-WIRING
10735002	IGNITOR
10728332	LIMIT (PRIMARY) (M6)
10728331	LIMIT (PRIMARY) (M3, M4, M5, M8, M9, M10)
10728334	LIMIT (PRIMARY) (M1, M2, M7)
10123525	LIMIT-RESET MAN (AUXILIARY) (M5, M6, M10)
10123535	LIMIT-RESET MAN (AUXILIARY) (M1, M2, M3, M4, M7, M8, M9)
10123529	LIMIT-RESET MAN (ROLLOUT) (M3, M4, M8, M9)
10123527	LIMIT-RESET MAN (ROLLOUT) (M1, M2, M7)
10123531	LIMIT-RESET MAN (ROLLOUT) (M5, M6, M10)
20046603	MOTOR BLOW 1/2 HP (M1, M2, M7)
20046612	MOTOR BLOW 3/4 HP (M4, M6, M9)
20046613	MOTOR BLOW 3/4 HP (M5, M10)
20046609	MOTOR-BLOW 1/2 HP (M3, M8)
10716003	ORIFICE (QTY AR)
10690401	SWITCH-INTERLOCK
11177103	SWITCH-PRESSURE (M1, M2, M7)
11177104	SWITCH-PRESSURE (M6)
11177105	SWITCH-PRESSURE (M5, M10)
11177102	SWITCH-PRESSURE (M3, M4, M8, M9)
C6349703	TRANSFORMER
C6476909	VALVE-GAS

Functional Parts

Part

No: **Description:**

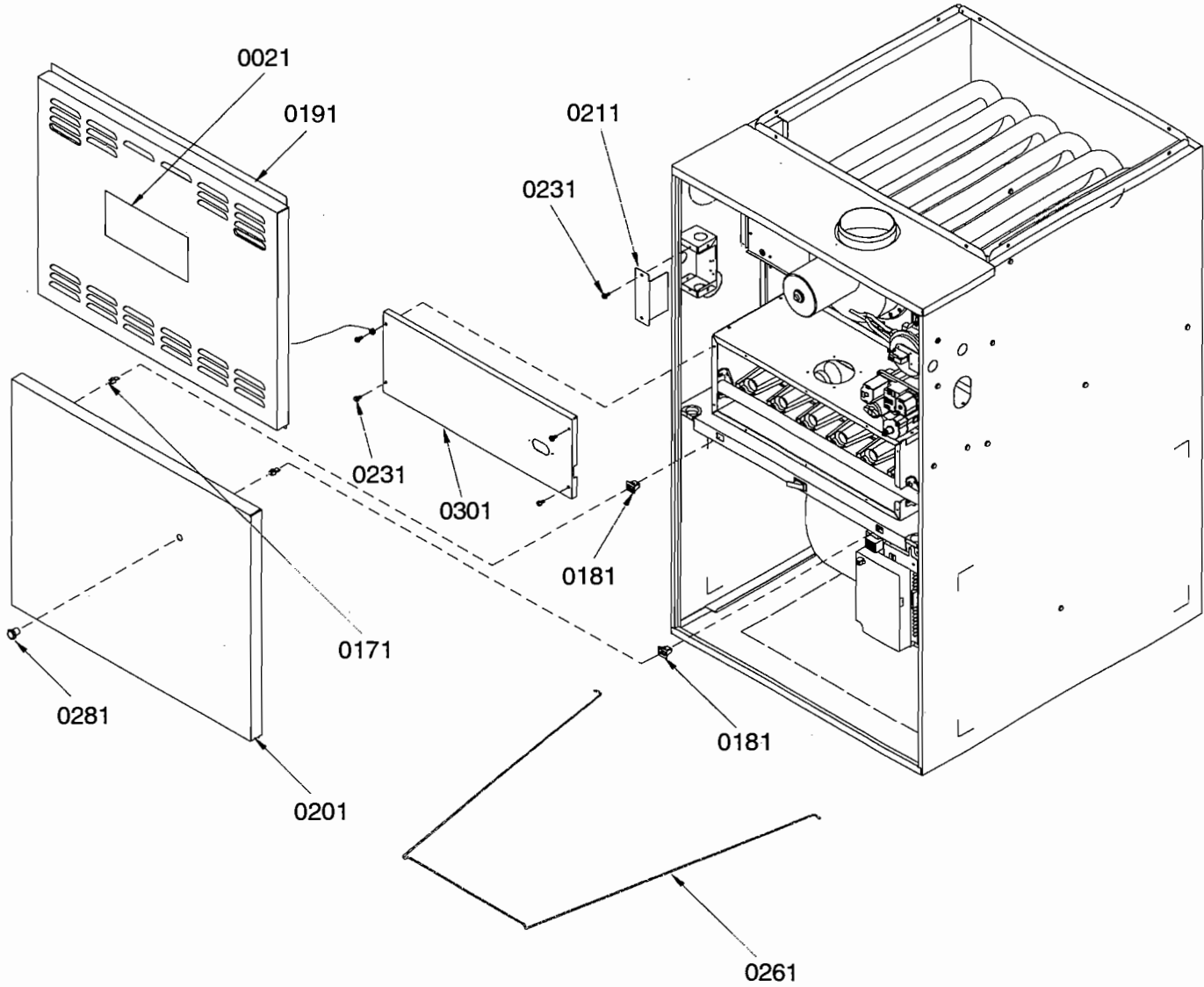
SPECIAL PARTS

11067325 INSTR-HI ALT FR
11067393 INSTR-INSTAL FR (M2, M3, M4, M5, M6, M7, M8, M9, M10)
11067324 INSTR-LP FR
10772905 INSTRUCT-INSTAL
11067355 INSTRUCT-INSTALL FR (M1)
RP6620026 MANUAL-PARTS
11067379 MANUAL-USERS FR
11067380 SPEC SHEET FR
11110618 SPEC-SHEET (M2, M3, M4, M5, M6, M7, M8, M9, M10)
11110616 SPEC-SHEET (M1)

Expanded Model and Color Nomenclature

M1 - GUI070DA35	P1227103F
M2 - GUI070CA35	P1229903F
M3 - GUI090CA30	P1229904F
M4 - GUI090CA50	P1229905F
M5 - GUI115CA50	P1229907F
M6 - GUI140CA50	P1229908F
M7 - GUI070CX35	P1230103F
M8 - GUI090CX30	P1230104F
M9 - GUI090CX50	P1230105F
M10 - GUI115CX50	P1230107F

Front Panels



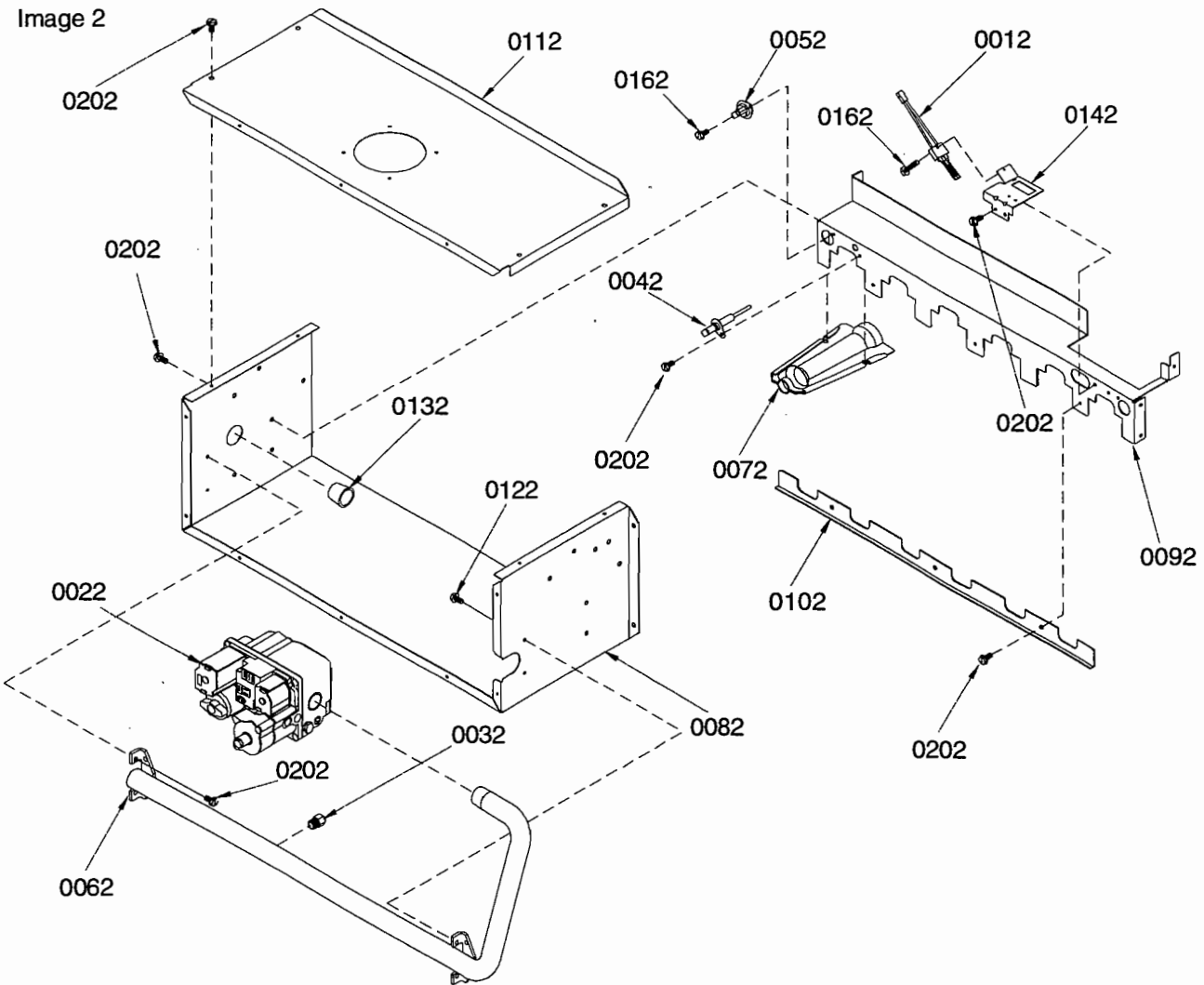
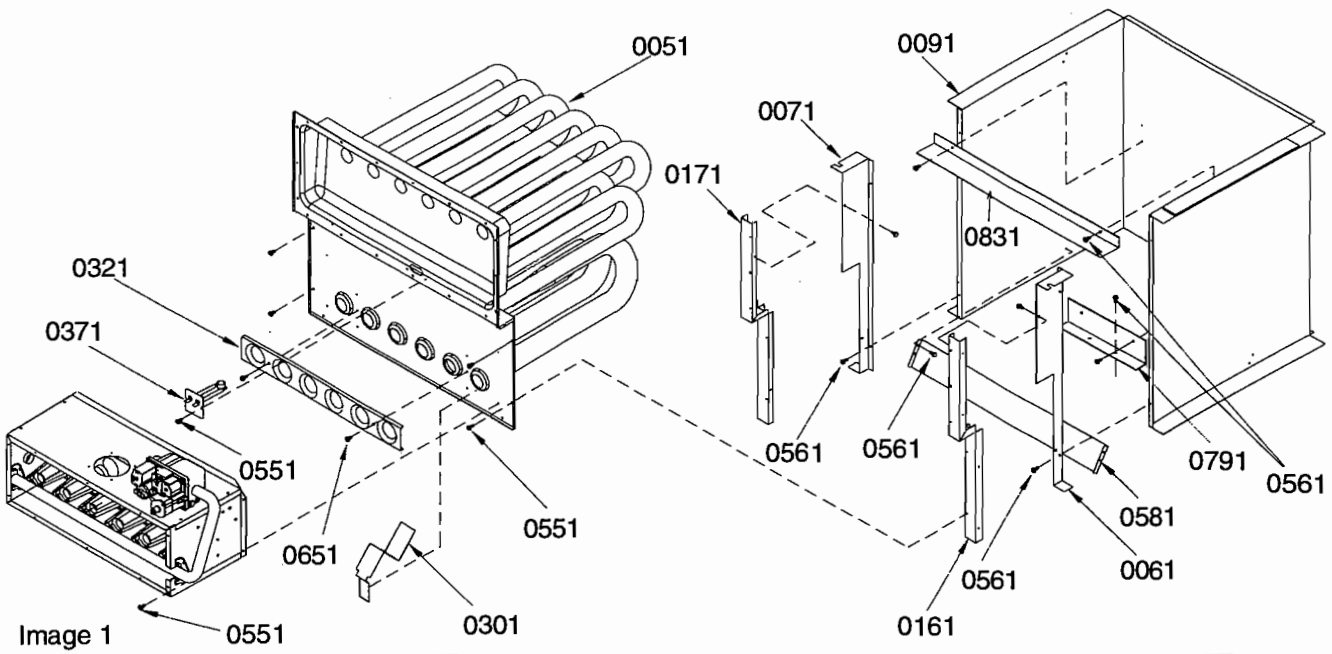
Front Panels

Ref. Part No: No:	Description:	Ref. Part No: No:	Description:
<i>Image 1:</i>			
0021 20213210	NAMEPLATE-AMANA		
0171 10690101	STRIKE-DOOR (QTY 2)		
0181 10690002	DOOR CATCH ASSY (QTY 2)		
0191 20239702	DOOR-ACCESS PNT (M1, M2, M7)		
0191 20239704	DOOR-ACCESS PNT (M3, M4, M8, M9)		
0191 20239706	DOOR-ACCESS PNT (M5, M6, M10)		
0201 20239604	BLOWER DOOR PNT (M3, M4, M8, M9)		
0201 20239602	BLOWER DOOR-PNT (M1, M2, M7)		
0201 20239606	BLOWER DOOR-PNT (M5, M6, M10)		
0211 10736201	COVER-HV BOX		
0231 M0216529	SCREW-SM (QTY AR)		
0261 20178501	RETAINER-FILTER		
0281 11104001	SNAP-BUSHING CLR		
0301 10734607	BOX-FRONT BNR (M1, M2, M7)		
0301 10734608	BOX-FRONT BNR (M3, M4, M8, M9)		
0301 10734609	BOX-FRONT BNR (M5, M10)		
0301 10734610	BOX-FRONT BNR (M6)		
0551 M0219916	SCREW-SM (QTY AR)		

Expanded Model and Color Nomenclature

M1 - GUI070DA35	P1227103F
M2 - GUI070CA35	P1229903F
M3 - GUI090CA30	P1229904F
M4 - GUI090CA50	P1229905F
M5 - GUI115CA50	P1229907F
M6 - GUI140CA50	P1229908F
M7 - GUI070CX35	P1230103F
M8 - GUI090CX30	P1230104F
M9 - GUI090CX50	P1230105F
M10 - GUI115CX50	P1230107F

Partition Tube/Collector Box/Manifold



Partition Tube/Collector Box/Manifold

Ref. Part No: No:	Description:
<i>Image 1:</i>	
0051 11094102	PART/TUBE ASSY (M1, M2, M7)
0051 11094103	PART/TUBE ASSY (M3, M4, M8, M9)
0051 11094104	PART/TUBE ASSY (M5, M10)
0051 11094110	PART/TUBE ASSY (M6)
0061 10728601	BRKT-LINER MTG
0071 10728602	BRKT-LINER MTG
0091 10728708	LINER-CABINET (M1, M2, M7)
0091 10728709	LINER-CABINET (M3, M4, M8, M9)
0091 10728710	LINER-CABINET (M5, M10)
0091 10728711	LINER-CABINET (M6)
0161 10728503	RAIL-PART PANEL
0171 10728504	RAIL-PART PANEL
0321 11072202	SHIELD-ORIFICE (M1, M2, M7)
0321 11072203	SHIELD-ORIFICE (M3, M4, M8, M9)
0321 11072204	SHIELD-ORIFICE (M5, M10)
0321 11072205	SHIELD-ORIFICE (M6)
0371 10728331	LIMIT (PRIMARY) (M3, M4, M5, M8, M9, M10)
0371 10728332	LIMIT (PRIMARY) (M6)
0371 10728334	LIMIT (PRIMARY) (M1, M2, M7)
0561 M0224303	SCREW-SM (QTY AR)
0581 11008801	BAFFLE-DECK (M1, M2, M7)
0581 11008802	BAFFLE-DECK (M3, M8)
0651 M0211020	SCREW-SM #8-7/8 (QTY AR)
0791 11008306	BAFFLE-LINER
0831 11008302	BAFFLE-LINER (M1, M2, M7)
0831 11008303	BAFFLE-LINER (M3, M4, M8, M9)
0831 11008304	BAFFLE-LINER (M5, M10)
0831 11008305	BAFFLE-LINER (M6)

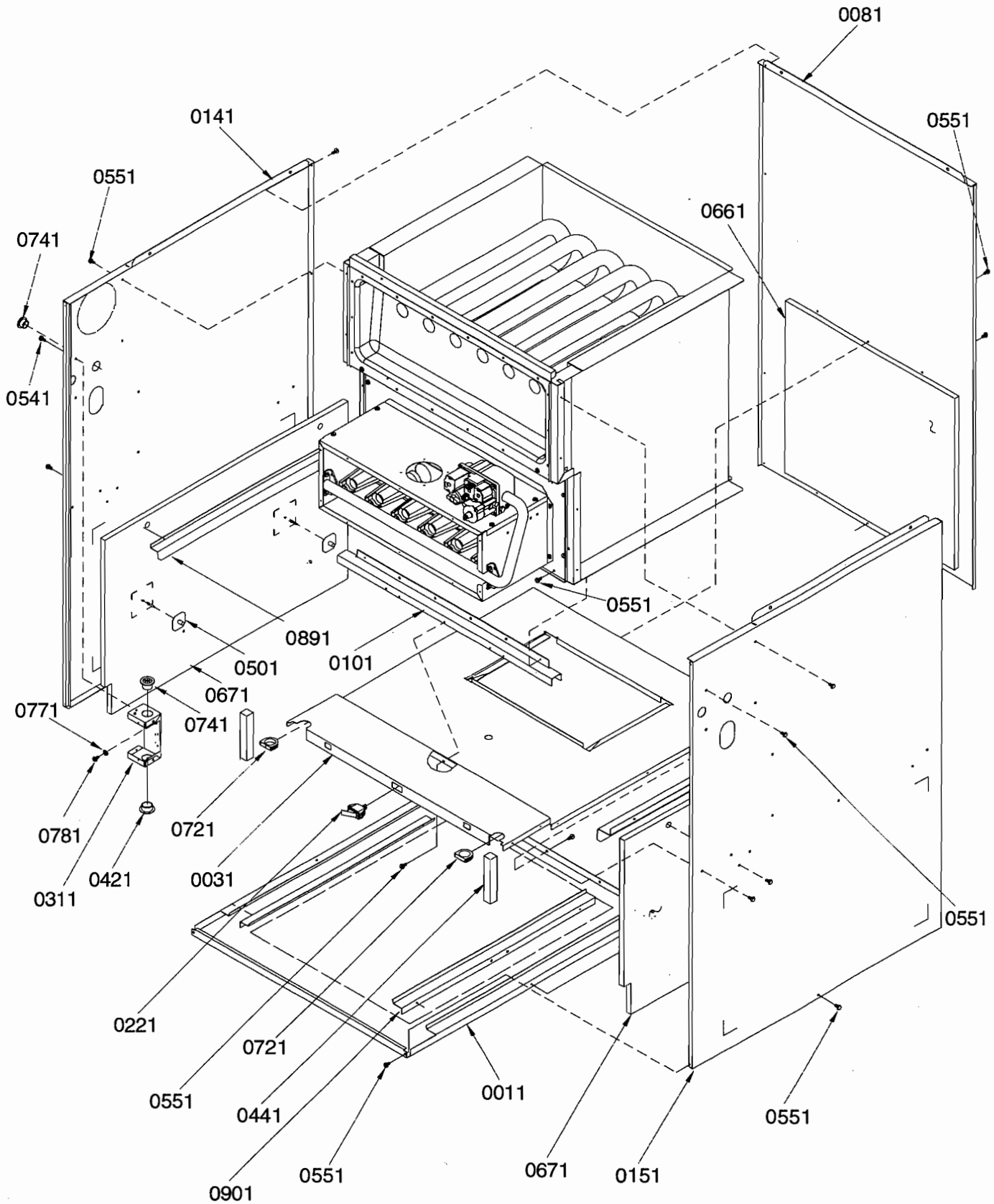
Ref. Part No: No:	Description:
<i>Image 2:</i>	
0012 10735002	IGNITOR
0022 C6476909	VALVE-GAS
0032 10716003	ORIFICE (QTY AR)
0042 10735201	FLAME-SENSOR
0052 10123527	LIMIT-RESET MAN (ROLLOUT) (M1, M2, M7)
0052 10123529	LIMIT-RESET MAN (ROLLOUT) (M3, M4, M8, M9)
0052 10123531	LIMIT-RESET MAN (ROLLOUT) (M5, M6, M10)
0062 10568802	MANIFOLD (M1, M2, M7)
0062 10568803	MANIFOLD (M3, M4, M8, M9)
0062 10568804	MANIFOLD (M5, M10)
0062 10568805	MANIFOLD (M6)
0072 10735102	BECKETT BURNER (QTY AR)
0082 10734411	BOX-BURNER (M1, M2, M7)
0082 10734412	BOX-BURNER (M3, M4, M8, M9)
0082 10734413	BOX-BURNER (M5, M10)
0082 10734414	BOX-BURNER (M6)
0092 11008102	BRKT-BURNER (M1, M2, M7)
0092 11008103	BRKT-BURNER (M3, M4, M8, M9)
0092 11008104	BRKT-BURNER (M5, M10)
0092 11008105	BRKT-BURNER (M6)
0102 10734702	BRKT-LOCK BURNER (M1, M2, M7)
0102 10734703	BRKT-LOCK BURNER (M3, M4, M8, M9)
0102 10734704	BRKT-LOCK BURNER (M5, M10)

Ref. Part No: No:	Description:
0102 10734705	BRKT-LOCK BURNER (M6)
0112 10734503	TOP-BOX BURNER (M3, M4, M8, M9)
0112 10734504	TOP-BOX BURNER (M5, M10)
0112 10734505	TOP-BOX BURNER (M6)
0112 20177102	TOP-BRNR BOX (M1, M2, M7)
0122 M0253516	SCREW-TR (QTY AR)
0142 11008703	BRKT-SENSOR
0162 M0216519	SCREW-SM
0202 M0216529	SCREW-SM (QTY AR)

Expanded Model and Color Nomenclature

M1 - GUI5070DA35	P1227103F
M2 - GUI5070CA35	P1229903F
M3 - GUI5090CA30	P1229904F
M4 - GUI5090CA50	P1229905F
M5 - GUI5115CA50	P1229907F
M6 - GUI5140CA50	P1229908F
M7 - GUI5070CX35	P1230103F
M8 - GUI5090CX30	P1230104F
M9 - GUI5090CX50	P1230105F
M10 - GUI5115CX50	P1230107F

Outer Cabinet



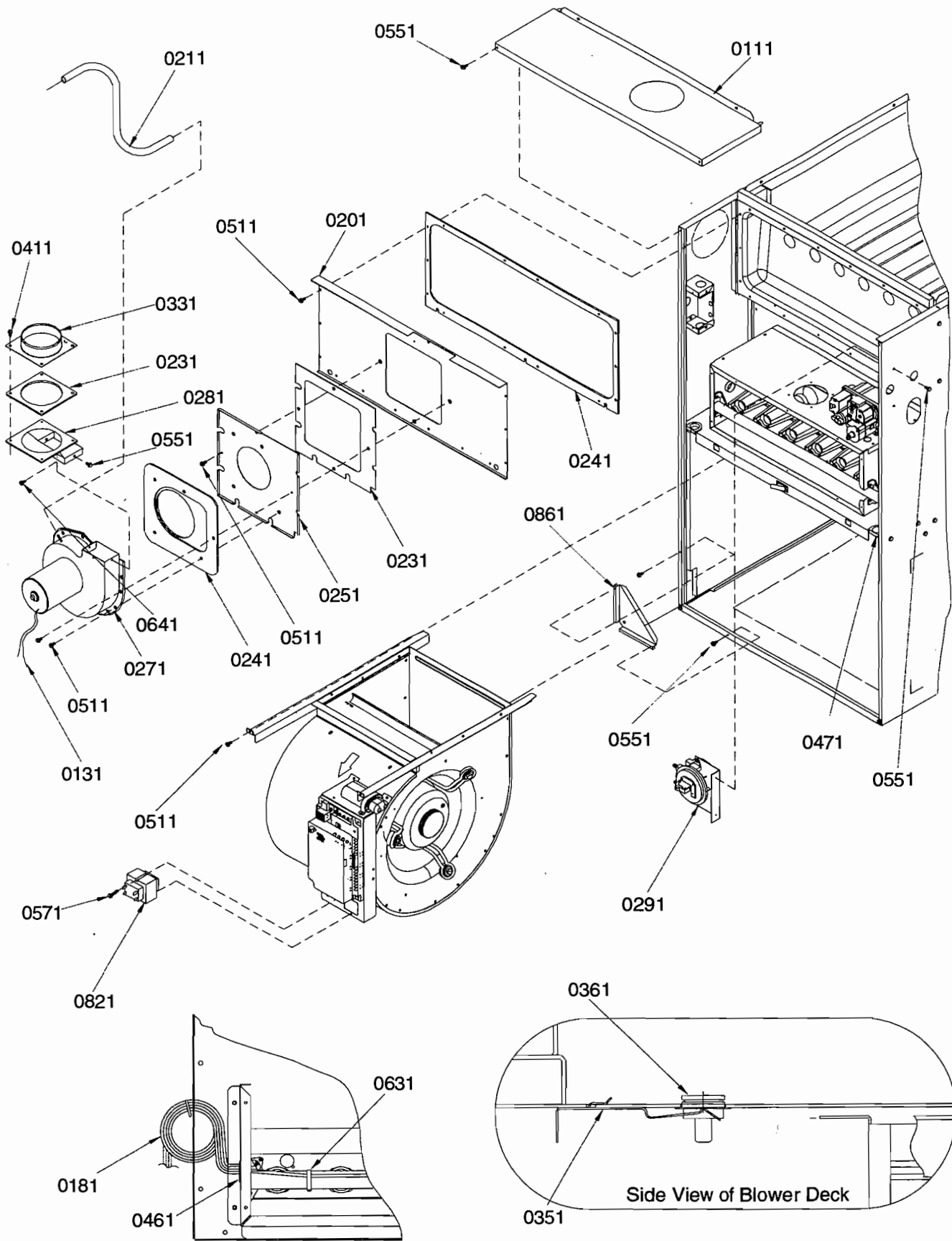
Outer Cabinet

Ref. Part No: No:	Description:	Ref. Part No: No:	Description:
<i>Image 1:</i>			
0011 20249808	BASEPAN-UF PNT (M1, M2, M7)		
0011 20249810	BASEPAN-UF PNT (M3, M4, M8, M9)		
0011 20249812	BASEPAN-UF PNT (M5, M6, M10)		
0031 11034807	DECK-BLOWER (M1, M2, M7)		
0031 11034808	DECK-BLOWER (M3, M4, M8, M9)		
0031 11034809	DECK-BLOWER (M5, M6, M10)		
0081 20239202	BACK PANEL-PNT (M1, M2, M7)		
0081 20239204	BACK PANEL-PNT (M3, M4, M8, M9)		
0081 20239206	BACK PANEL-PNT (M5, M6, M10)		
0101 10728401	SUPPORT-PART PAN (M1, M2, M7)		
0101 10728402	SUPPORT-PART PAN (M3, M4, M8, M9)		
0101 10728403	SUPPORT-PART PAN (M5, M6, M10)		
0141 20239502	L SIDE PANEL-PNT (M1)		
0141 20249402	L SIDE PANEL-PNT (M2, M3, M4, M5, M6, M7, M8, M9, M10)		
0151 20239402	R SIDE PANEL-PNT (M1)		
0151 20249302	R SIDE PANEL-PNT (M2, M3, M4, M5, M6, M7, M8, M9, M10)		
0211 M0219916	SCREW-SM (QTY AR)		
0221 10690401	SWITCH-INTERLOCK		
0311 10736102	BOX-HIGH VOLTAGE		
0421 A4554801	BUSHING-SNAP		
0441 11001301	GASKET-COMPT (QTY 2)		
0501 M0107601	HANGER-INSUL (M1) (QTY 4)		
0541 M0216716	SCREW-SM (QTY AR)		
0551 M0219916	SCREW-SM (QTY AR)		
0661 20006601	INSULATION (M1, M2, M7)		
0661 20006602	INSULATION (M3, M4, M8, M9)		
0661 20006603	INSULATION (M5, M6, M10)		
0671 20007303	INSUL-SIDE (M1) (QTY 2)		
0671 20243502	INSULATION-SIDE (M2, M3, M4, M5, M6, M7, M8, M9, M10) (QTY 2)		
0721 A4568804	GROMMET-D (QTY 2)		
0741 M0571002	BUSHING-SNAP (QTY AR)		
0771 M0270001	WASHER-CUP		
0781 M0227803	SCREW-TC		
0891 10690301	ANGLE-FILTER (M2, M3, M4, M5, M6, M7, M8, M9, M10) (QTY 2)		
0901 20242801	RAIL-FILTER (M2, M3, M4, M5, M6, M7, M8, M9, M10) (QTY 2)		

Expanded Model and Color Nomenclature

M1 - GUI070DA35	P1227103F
M2 - GUI070CA35	P1229903F
M3 - GUI090CA30	P1229904F
M4 - GUI090CA50	P1229905F
M5 - GUI115CA50	P1229907F
M6 - GUI140CA50	P1229908F
M7 - GUI070CX35	P1230103F
M8 - GUI090CX30	P1230104F
M9 - GUI090CX50	P1230105F
M10 - GUI115CX50	P1230107F

Vent System/Controls



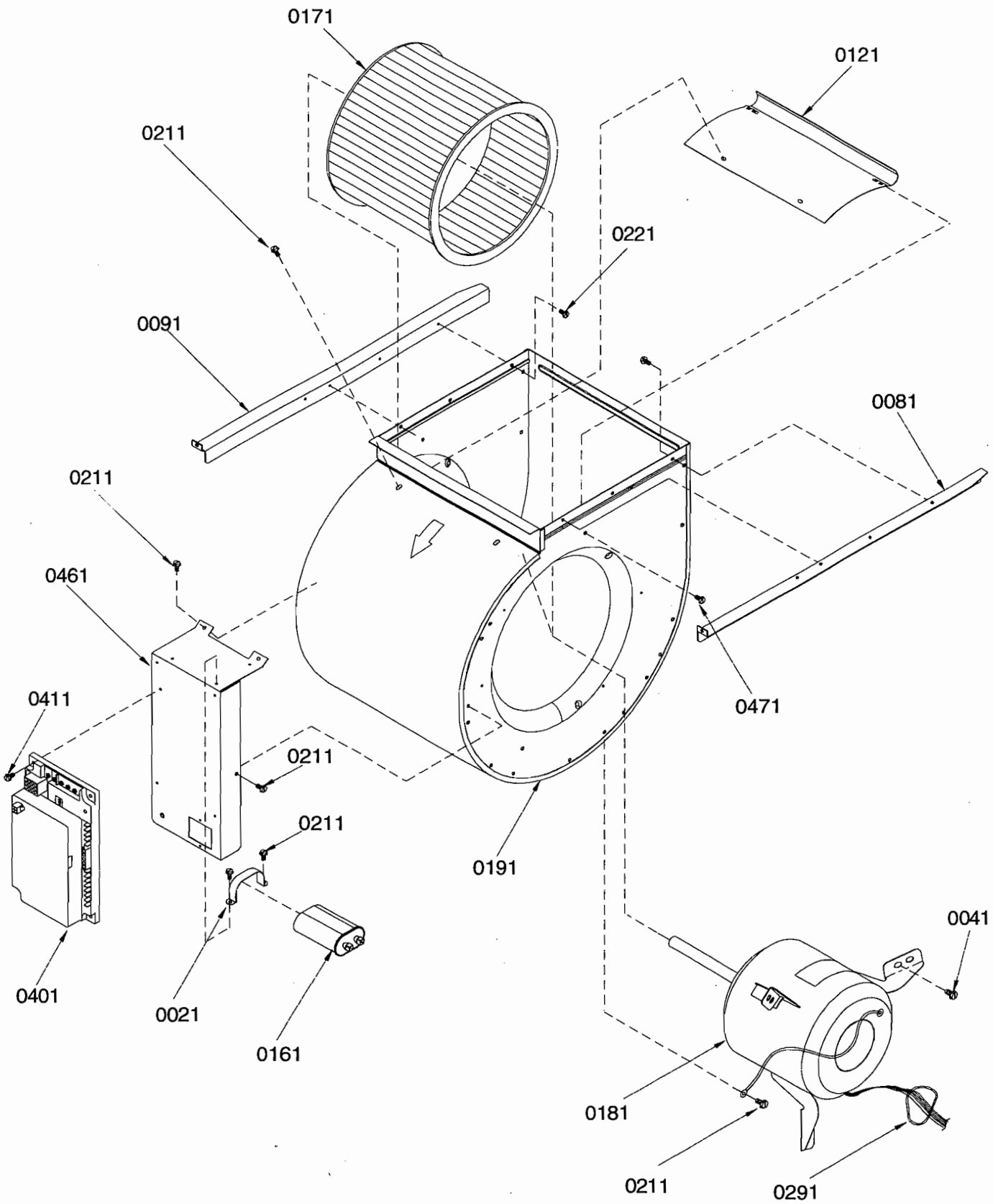
Vent System/Controls

Ref. Part No: No:	Description:	Ref. Part No: No:	Description:
<i>Image 1:</i>			
0111 20239314	COVER UF-PNT (M1, M2, M7)		
0111 20239316	COVER UF-PNT (M3, M4, M8, M9)		
0111 20239318	COVER UF-PNT (M5, M6, M10)		
0131 11176904	HARNESS-WIRING		
0181 11176905	HARNESS-WIRING		
0201 10764404	PLATE-PARTITION (M1, M2, M7)		
0201 10764405	PLATE-PARTITION (M3, M4, M8, M9)		
0201 10764406	PLATE-PARTITION (M5, M6, M10)		
0211 B1410310	HOSE-PRESSURE SW		
0231 10764601	GASKET-ROTATE PLT		
0241 11142201	GASKET-COLL/ID (M1, M2, M7)		
0241 11142202	GASKET-COLL/ID (M3, M4, M8, M9)		
0241 11142203	GASKET-COLL/ID (M5, M6, M10)		
0251 10764308	PLATE-ROTATING (M1, M2, M7)		
0251 10764309	PLATE-ROTATING (M6)		
0251 10764320	PLATE-ROTATING (M3, M4, M5, M8, M9, M10)		
0271 11177202	BLOWER-ID		
0281 11072301	TRAN-ID BLOW		
0291 11177102	SWITCH-PRESSURE (M3, M4, M8, M9)		
0291 11177103	SWITCH-PRESSURE (M1, M2, M7)		
0291 11177104	SWITCH-PRESSURE (M6)		
0291 11177105	SWITCH-PRESSURE (M5, M10)		
0331 11009701	TOP-TRAN PLATE		
0351 10861101	BRKT-AUX LIMIT		
0361 10123525	LIMIT-RESET MAN (AUXILIARY) (M5, M6, M10)		
0361 10123535	LIMIT-RESET MAN (AUXILIARY) (M1, M2, M3, M4, M7, M8, M9)		
0411 M0253516	SCREW-TR (QTY AR)		
0461 A4554801	BUSHING-SNAP		
0471 10833601	CLIP-WIRE (QTY 2)		
0511 M0219918	SCREW-SM (QTY AR)		
0551 M0219916	SCREW-SM (QTY AR)		
0571 M0216536	SCREW-SM (QTY AR)		
0631 M0321202	TIE-ELEC LG (QTY AR)		
0821 C6349703	TRANSFORMER		
0861 11094903	BRKT-CORNER (QTY 2)		

Expanded Model and Color Nomenclature

M1 - GUI070DA35	P1227103F
M2 - GUI070CA35	P1229903F
M3 - GUI090CA30	P1229904F
M4 - GUI090CA50	P1229905F
M5 - GUI115CA50	P1229907F
M6 - GUI140CA50	P1229908F
M7 - GUI070CX35	P1230103F
M8 - GUI090CX30	P1230104F
M9 - GUI090CX50	P1230105F
M10 - GUI115CX50	P1230107F

Blower



Blower

Ref. Part No: No:	Description:	Ref. Part No: No:	Description:
<i>Image 1:</i>			
0021 A3410501	STRAP-CAPACITOR (M3, M4, M5, M6, M8, M9, M10)		
0021 A4055402	STRAP-CAPACITOR (M1, M2, M7)		
0041 M0250558	SCREW-TC (QTY AR)		
0081 10744901	RAIL-SIDE BLOWER		
0091 10744902	RAIL-SIDE BLOWER		
0121 C6121802	CUTOFF (M1, M2, M7)		
0121 C6121806	CUTOFF (M5, M6, M10)		
0121 C6121810	CUTOFF (M3, M4, M8, M9)		
0161 D6879739	CAPACITOR (M3, M8)		
0161 D6879740	CAPACITOR (M4, M5, M6, M9, M10)		
0171 D6723302	WHEEL-BLOWER (M3, M4, M8, M9)		
0171 D6723303	WHEEL-BLOWER (M5, M6, M10)		
0171 D6723316	WHEEL-BLOWER (M1, M2, M7)		
0181 20046603	MOTOR BLOW 1/2 HP (M1, M2, M7)		
0181 20046612	MOTOR BLOW 3/4 HP (M4, M6, M9)		
0181 20046613	MOTOR BLOW 3/4 HP (M5, M10)		
0181 20046609	MOTOR-BLOW 1/2 HP (M3, M8)		
0191 11185802	BLOWER HSG WELD (M1, M2, M7)		
0191 11185803	BLOWER HSG WELD (M3, M4, M8, M9)		
0191 11185804	BLOWER HSG WELD (M5, M6, M10)		
0221 M0253516	SCREW-TR (QTY AR)		
0291 M0321202	TIE-ELEC LG		
0401 10207708	CONTROL-INTEG		
0411 M0216531	SCREW-SM (QTY AR)		
0461 10746205	BRKT-CONTROL		
0471 M0211020	SCREW-SM #8-7/8 (QTY AR)		

Expanded Model and Color Nomenclature

M1 - GUI070DA35	P1227103F
M2 - GUI070CA35	P1229903F
M3 - GUI090CA30	P1229904F
M4 - GUI090CA50	P1229905F
M5 - GUI115CA50	P1229907F
M6 - GUI140CA50	P1229908F
M7 - GUI070CX35	P1230103F
M8 - GUI090CX30	P1230104F
M9 - GUI090CX50	P1230105F
M10 - GUI115CX50	P1230107F

