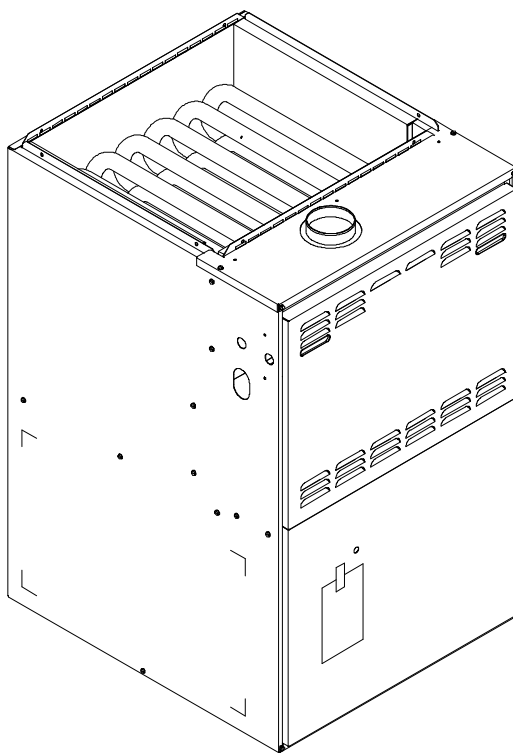


Parts

GUIC Gas Furnace

Models and manufacturing numbers in this manual

GUIC045CA30	P1229101F
GUIC045CX30	P1229301F
GUIC070CA30	P1229102F
GUIC070CA40	P1229103F
GUIC070CX30	P1229302F
GUIC070CX40	P1229303F
GUIC090CA30	P1229104F
GUIC090CA50	P1229105F
GUIC090CX30	P1229304F
GUIC090CX50	P1229305F
GUIC115CA40	P1229106F
GUIC115CA50	P1229107F
GUIC115CX40	P1229306F
GUIC115CX50	P1229307F
GUIC140CA50	P1229108F
GUIC140CX50	P1229308F



This manual is to be used by qualified appliance technicians only. Amana does not assume any responsibility for property damage or personal injury for improper service procedures done by an unqualified person.

Amana

RP6620037
Revision 0
September 1999

Important Information

Amana is not responsible for personal injury or property damage resulting from improper service. Review all service information before beginning repairs.

Warranty service must be performed by an authorized technician, using authorized factory parts. If service is required after the warranty expires, Amana also recommends contacting an authorized technician and using authorized factory parts. Locate an authorized technician by calling 800-NATLSVC (800-628-5782).

For assistance within the U.S.A. contact:

Consumer Affairs Department
Amana
2800 220th Trail
Amana IA 52204-0001
319-622-5511--Telephone
319-622-2977--Facsimile

For assistance outside the U.S.A. contact:

International Division
Amana
2800 220th Trail
Amana IA 52204-0001
USA
319-622-5511--Telephone
319-622-8595--Facsimile

Index

Functional Parts List	4 - 5
Illustration and Parts	6 - 13

Views shown are for parts illustrations only, not servicing procedures.

Text Codes:

AR - As Required

NA - Not Available

NS - Not Shown

00000000 - See Note

QTY - Quantity Example (QTY 3) (If Quantity not shown, Quantity = 1)

M - Model Example (M1) (If M Code not shown, then part is used on all Models)

Expanded Model and Color Nomenclature:

Example	
M1 - Model#1	P _____
M2 - Model#2	P _____
M3 - Model#3	P _____

Functional Parts

Part

No:

Description:

10099901	CAPACITOR (M2, M10)
D6859325	CAPACITOR (M1, M3, M6, M9, M11, M14)
D6879739	CAPACITOR (M4, M12)
D6879740	CAPACITOR (M5, M7, M8, M13, M15, M16)
10207709	CONTROL-INTEG
10735201	FLAME-SENSOR
11135203	HARNESS-WIRING
10735002	IGNITOR
10728332	LIMIT (M4, M6, M12, M14)
10728331	LIMIT (M5, M13)
10728326	LIMIT (M2, M10)
10728322	LIMIT (M1, M9)
10728324	LIMIT (M8, M16)
10728338	LIMIT PRIMARY (M3, M11)
10123528	LIMIT-RESET MAN (M1, M9)
10123529	LIMIT-RESET MAN (M2, M3, M4, M5, M10, M11, M12, M13)
10123531	LIMIT-RESET MAN (M8, M16)
10123532	LIMIT-RESET MAN (M6, M7, M14, M15)
20046602	MOTOR BLOW 1/3 HP (M2, M10)
20046604	MOTOR BLOW 1/3 HP (M1, M9)
20046612	MOTOR BLOW 3/4 HP (M5, M8, M13, M16)
20046606	MOTOR-BLOW 1/2 HP (M3, M11)
20046610	MOTOR-BLOW 1/2 HP (M6, M14)
20046609	MOTOR-BLOW 1/2 HP (M4, M12)
10716003	ORIFICE (QTY 2)
10690401	SWITCH-INTERLOCK
10727920	SWITCH-PRESSURE
C6349703	TRANSFORMER
C6476907	VALVE-GAS

Functional Parts

Part

No: **Description:**

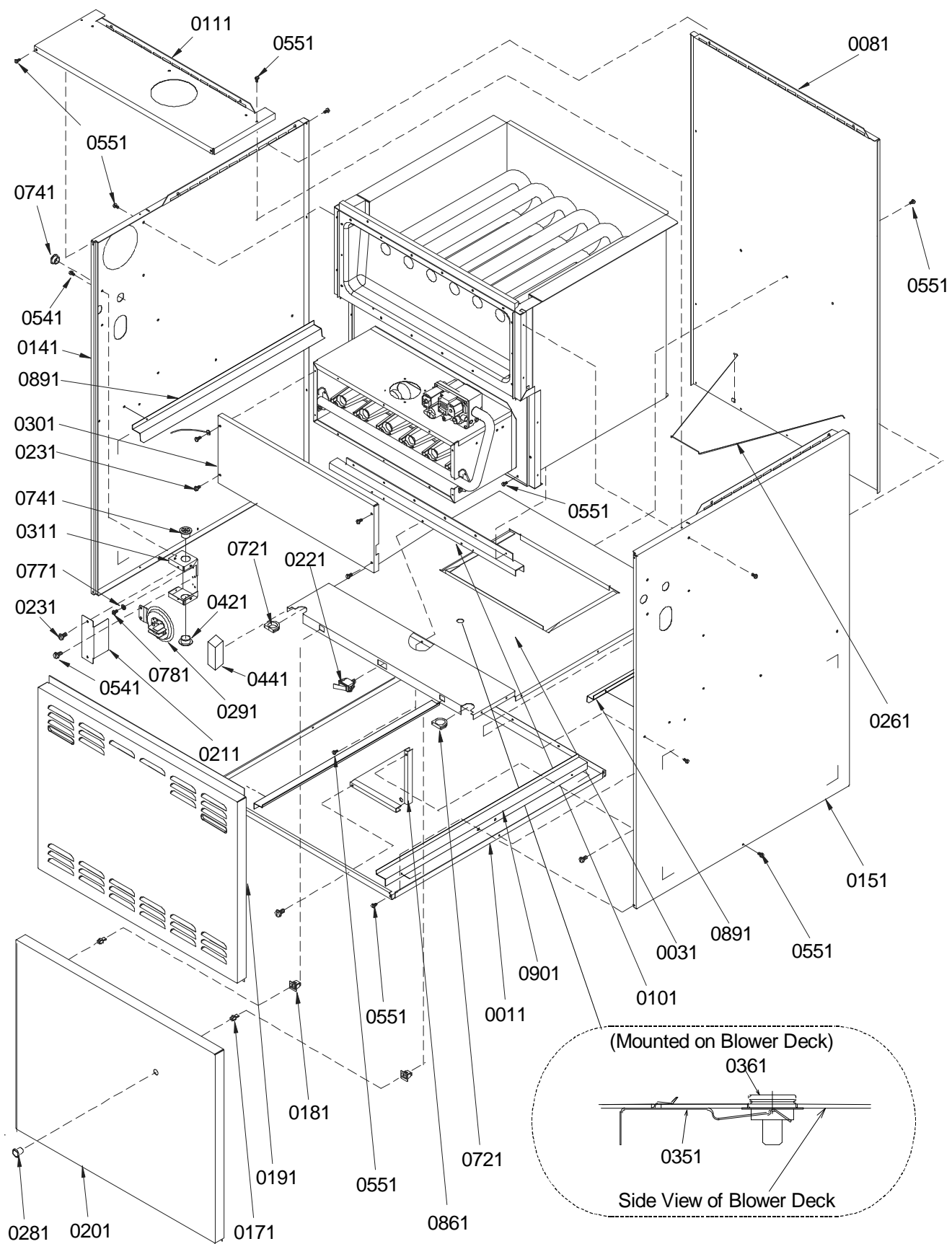
SPECIAL PARTS

11067325 INSTR-HI ALT FR
11067324 INSTR-LP FR
10759826 INSTRUCT-INSTALL
RP6620037 MANUAL-PARTS
10759619 MANUAL-USERS

Expanded Model and Color Nomenclature

M1 - GUIC045CA30	P1229101F
M2 - GUIC070CA30	P1229102F
M3 - GUIC070CA40	P1229103F
M4 - GUIC090CA30	P1229104F
M5 - GUIC090CA50	P1229105F
M6 - GUIC115CA40	P1229106F
M7 - GUIC115CA50	P1229107F
M8 - GUIC140CA50	P1229108F
M9 - GUIC045CX30	P1229301F
M10 - GUIC070CX30	P1229302F
M11 - GUIC070CX40	P1229303F
M12 - GUIC090CX30	P1229304F
M13 - GUIC090CX50	P1229305F
M14 - GUIC115CX40	P1229306F
M15 - GUIC115CX50	P1229307F
M16 - GUIC140CX50	P1229308F

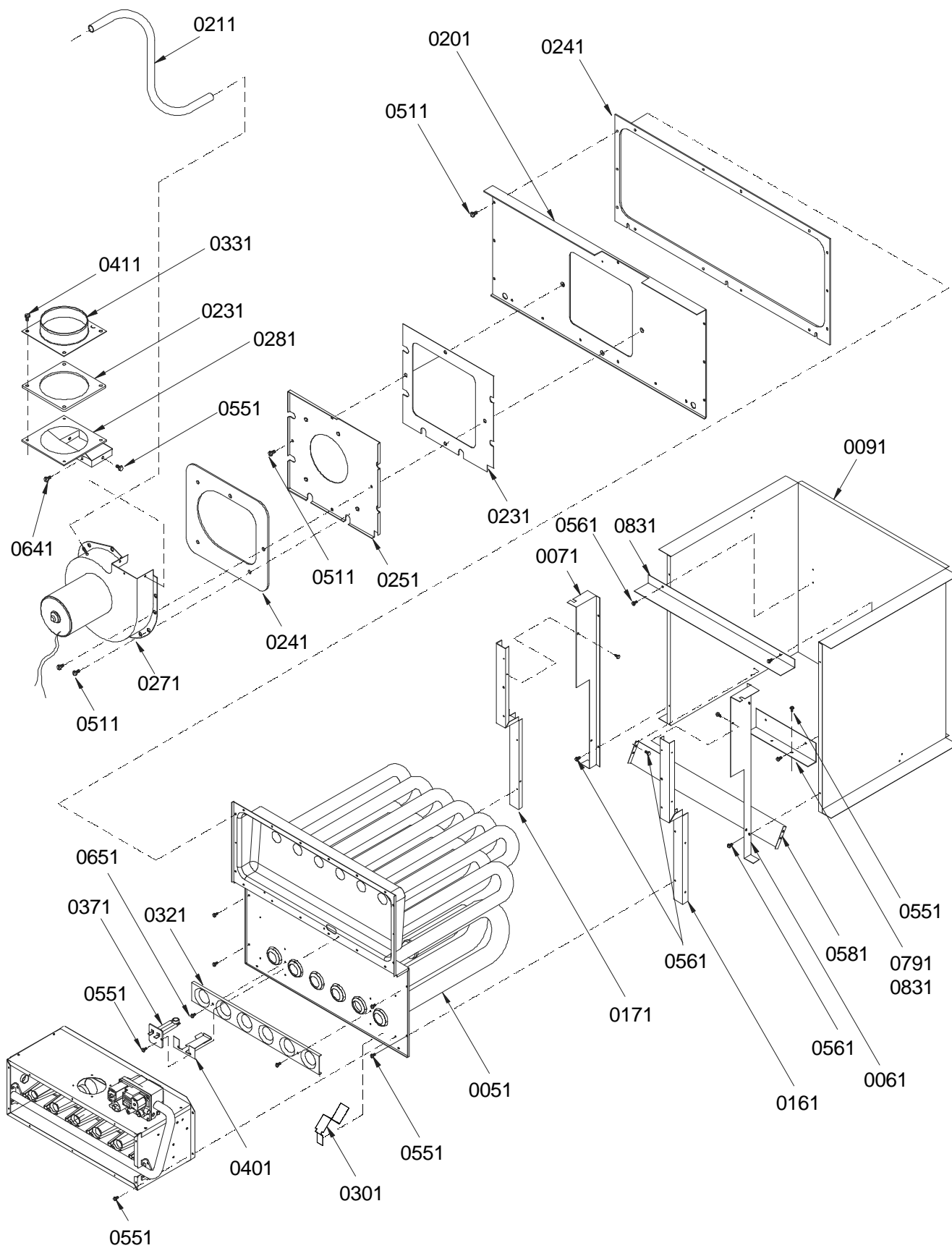
Cabinet Assembly



Cabinet Assembly

Ref. Part No: No:	Description:	Ref. Part No: No:	Description:
<i>Image 1:</i>		0860 11094903	BRKT-CORNER (QTY 2)
0010 20249808	BASEPAN (M1, M2, M3, M9, M10, M11)	0890 10690301	ANGLE-FILTER (QTY 2)
0010 20249810	BASEPAN (M4, M5, M12, M13)	0900 20242801	RAIL-FILTER (QTY 2)
0010 20249812	BASEPAN (M6, M7, M8, M14, M15, M16)	Expanded Model and Color Nomenclature	
0030 11034806	DECK-BLOWER (M1, M2, M3, M9, M10, M11)	M1 - GUIC045CA30	P1229101F
0030 11034808	DECK-BLOWER (M4, M5, M12, M13)	M2 - GUIC070CA30	P1229102F
0030 11034809	DECK-BLOWER (M7, M8, M15, M16)	M3 - GUIC070CA40	P1229103F
0030 11034810	DECK-BLOWER (M6, M14)	M4 - GUIC090CA30	P1229104F
0080 20239202	BACK PANEL-PNT (M1, M2, M3, M9, M10, M11)	M5 - GUIC090CA50	P1229105F
0080 20239204	BACK PANEL-PNT (M4, M5, M12, M13)	M6 - GUIC115CA40	P1229106F
0080 20239206	BACK PANEL-PNT (M6, M7, M8, M14, M15, M16)	M7 - GUIC115CA50	P1229107F
0100 10728401	SUPPORT-PART PAN (M1, M2, M3, M9, M10, M11)	M8 - GUIC140CA50	P1229108F
0100 10728402	SUPPORT-PART PAN (M4, M5, M12, M13)	M9 - GUIC045CX30	P1229301F
0100 10728403	SUPPORT-PART PAN (M6, M7, M8, M14, M15, M16)	M10 - GUIC070CX30	P1229302F
0110 20239314	COVER UF-PNT (M1, M2, M3, M9, M10, M11)	M11 - GUIC070CX40	P1229303F
0110 20239316	COVER UF-PNT (M4, M5, M12, M13)	M12 - GUIC090CX30	P1229304F
0110 20239318	COVER UF-PNT (M6, M7, M8, M14, M15, M16)	M13 - GUIC090CX50	P1229305F
0140 20249402	L SIDE PANEL-PNT	M14 - GUIC115CX40	P1229306F
0150 20249302	R SIDE PANEL-PNT	M15 - GUIC115CX50	P1229307F
0170 10690101	STRIKE-DOOR (QTY 2)	M16 - GUIC140CX50	P1229308F
0180 10690002	DOOR CATCH ASSY (QTY 2)		
0190 20239702	DOOR-ACCESS PNT (M1, M2, M3, M9, M10, M11)		
0190 20239704	DOOR-ACCESS PNT (M4, M5, M12, M13)		
0190 20239706	DOOR-ACCESS PNT (M6, M7, M8, M14, M15, M16)		
0200 20239604	BLOWER DOOR PNT (M4, M5, M12, M13)		
0200 20239602	BLOWER DOOR-PNT (M1, M2, M3, M9, M10, M11)		
0200 20239606	BLOWER DOOR-PNT (M6, M7, M8, M14, M15, M16)		
0210 10736201	COVER-HV BOX		
0220 10690401	SWITCH-INTERLOCK		
0230 M0216529	SCREW-SM (QTY AR)		
0260 20178501	RETAINER-FILTER		
0280 11104001	SNAP-BUSHING CLR		
0290 10727920	SWITCH-PRESSURE		
0300 10734606	BOX-FRONT BNR (M1, M9)		
0300 10734607	BOX-FRONT BNR (M2, M3, M10, M11)		
0300 10734608	BOX-FRONT BNR (M4, M5, M12, M13)		
0300 10734609	BOX-FRONT BNR (M6, M7, M14, M15)		
0300 10734610	BOX-FRONT BNR (M8, M16)		
0310 10736102	BOX-HIGH VOLTAGE		
0350 10861101	BRKT-AUX LIMIT		
0360 10123525	LIMIT-RESET MAN		
0420 A4554801	BUSHING-SNAP		
0440 11001301	GASKET-COMPT (QTY 2)		
0540 M0216716	SCREW-SM (QTY AR)		
0550 M0219916	SCREW-SM (QTY AR)		
0720 A4568804	GROMMET-D (QTY 2)		
0740 M0571002	BUSHING-SNAP (QTY 2)		
0770 M0270001	WASHER-CUP		
0780 M0227803	SCREW-TC (QTY AR)		

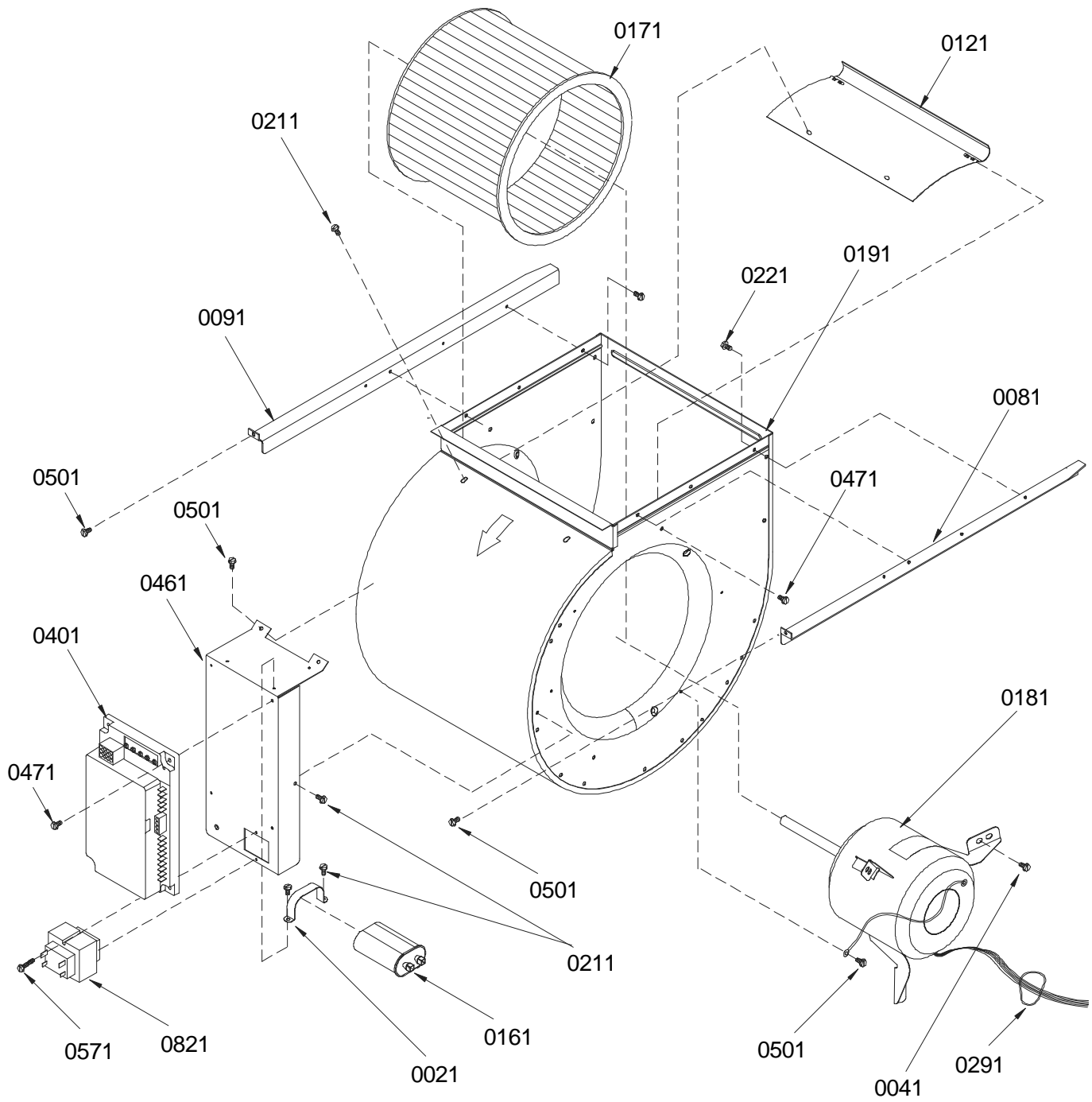
Partition Tube Assembly & Collector Box



Partition Tube Assembly & Collector Box

Ref. Part No: No:	Description:	Ref. Part No: No:	Description:																																
<i>Image 1:</i>		0790 11008306	BAFFLE-LINER (M2, M3, M4, M5, M6, M7, M8, M10, M11, M12, M13, M14, M15, M16)																																
0050 11094106	PART/TUBE ASSY (M1, M9)	0830 11008302	BAFFLE-LINER (M2, M3, M10, M11)																																
0050 11094107	PART/TUBE ASSY (M2, M3, M10, M11)	0830 11008303	BAFFLE-LINER (M4, M5, M12, M13)																																
0050 11094108	PART/TUBE ASSY (M4, M5, M12, M13)	0830 11008304	BAFFLE-LINER (M6, M7, M14, M15)																																
0050 11094109	PART/TUBE ASSY (M6, M7, M14, M15)	0830 11008305	BAFFLE-LINER (M8, M16)																																
0050 11094110	PART/TUBE ASSY (M8, M16)	0830 11008306	BAFFLE-LINER (M1, M9)																																
0060 10728601	BRKT-LINER MTG	Expanded Model and Color Nomenclature <table border="1"> <tr><td>M1 - GUIC045CA30</td><td>P1229101F</td></tr> <tr><td>M2 - GUIC070CA30</td><td>P1229102F</td></tr> <tr><td>M3 - GUIC070CA40</td><td>P1229103F</td></tr> <tr><td>M4 - GUIC090CA30</td><td>P1229104F</td></tr> <tr><td>M5 - GUIC090CA50</td><td>P1229105F</td></tr> <tr><td>M6 - GUIC115CA40</td><td>P1229106F</td></tr> <tr><td>M7 - GUIC115CA50</td><td>P1229107F</td></tr> <tr><td>M8 - GUIC140CA50</td><td>P1229108F</td></tr> <tr><td>M9 - GUIC045CX30</td><td>P1229301F</td></tr> <tr><td>M10 - GUIC070CX30</td><td>P1229302F</td></tr> <tr><td>M11 - GUIC070CX40</td><td>P1229303F</td></tr> <tr><td>M12 - GUIC090CX30</td><td>P1229304F</td></tr> <tr><td>M13 - GUIC090CX50</td><td>P1229305F</td></tr> <tr><td>M14 - GUIC115CX40</td><td>P1229306F</td></tr> <tr><td>M15 - GUIC115CX50</td><td>P1229307F</td></tr> <tr><td>M16 - GUIC140CX50</td><td>P1229308F</td></tr> </table>		M1 - GUIC045CA30	P1229101F	M2 - GUIC070CA30	P1229102F	M3 - GUIC070CA40	P1229103F	M4 - GUIC090CA30	P1229104F	M5 - GUIC090CA50	P1229105F	M6 - GUIC115CA40	P1229106F	M7 - GUIC115CA50	P1229107F	M8 - GUIC140CA50	P1229108F	M9 - GUIC045CX30	P1229301F	M10 - GUIC070CX30	P1229302F	M11 - GUIC070CX40	P1229303F	M12 - GUIC090CX30	P1229304F	M13 - GUIC090CX50	P1229305F	M14 - GUIC115CX40	P1229306F	M15 - GUIC115CX50	P1229307F	M16 - GUIC140CX50	P1229308F
M1 - GUIC045CA30	P1229101F																																		
M2 - GUIC070CA30	P1229102F																																		
M3 - GUIC070CA40	P1229103F																																		
M4 - GUIC090CA30	P1229104F																																		
M5 - GUIC090CA50	P1229105F																																		
M6 - GUIC115CA40	P1229106F																																		
M7 - GUIC115CA50	P1229107F																																		
M8 - GUIC140CA50	P1229108F																																		
M9 - GUIC045CX30	P1229301F																																		
M10 - GUIC070CX30	P1229302F																																		
M11 - GUIC070CX40	P1229303F																																		
M12 - GUIC090CX30	P1229304F																																		
M13 - GUIC090CX50	P1229305F																																		
M14 - GUIC115CX40	P1229306F																																		
M15 - GUIC115CX50	P1229307F																																		
M16 - GUIC140CX50	P1229308F																																		
0070 10728602	BRKT-LINER MTG																																		
0090 10728707	LINER-CABINET (M1, M9)																																		
0090 10728708	LINER-CABINET (M2, M3, M10, M11)																																		
0090 10728709	LINER-CABINET (M4, M5, M12, M13)																																		
0090 10728710	LINER-CABINET (M6, M7, M14, M15)																																		
0090 10728711	LINER-CABINET (M8, M16)																																		
0160 10728503	RAIL-PART PANEL																																		
0170 10728504	RAIL-PART PANEL																																		
0200 10764404	PLATE-PARTITION (M1, M2, M3, M9, M10, M11)																																		
0200 10764405	PLATE-PARTITION (M4, M5, M12, M13)																																		
0200 10764406	PLATE-PARTITION (M6, M7, M8, M14, M15, M16)																																		
0210 B1410303	HOSE-PRESSURE SW (M1, M2, M3, M9, M10, M11)																																		
0210 B1410304	HOSE-PRESSURE SW (M4, M5, M6, M7, M8, M12, M13, M14, M15, M16)																																		
0230 10764601	GASKET-ROTATE PLT																																		
0240 11142201	GASKET-COLL/ID (M1, M2, M3, M9, M10, M11)																																		
0240 11142202	GASKET-COLL/ID (M4, M5, M12, M13)																																		
0240 11142203	GASKET-COLL/ID (M6, M7, M8, M14, M15, M16)																																		
0250 10764301	PLATE-ROTATING (M1, M9)																																		
0250 10764302	PLATE-ROTATING (M2, M3, M10, M11)																																		
0250 10764304	PLATE-ROTATING (M4, M5, M12, M13)																																		
0250 10764313	PLATE-ROTATING (M6, M7, M8, M14, M15, M16)																																		
0270 20044401	BLOWER-ID																																		
0280 11072301	TRAN-ID BLOW																																		
0300 10624002	INSERT-MESH TUBE (M9, M10, M11, M12, M13, M14, M15, M16)																																		
0320 11072201	SHIELD-ORIFICE (M1, M9)																																		
0320 11072202	SHIELD-ORIFICE (M2, M3, M10, M11)																																		
0320 11072203	SHIELD-ORIFICE (M4, M5, M12, M13)																																		
0320 11072204	SHIELD-ORIFICE (M6, M7, M14, M15)																																		
0320 11072205	SHIELD-ORIFICE (M8, M16)																																		
0330 11009701	TOP-TRAN PLATE																																		
0370 10728322	LIMIT (M1, M9)																																		
0370 10728324	LIMIT (M8, M16)																																		
0370 10728326	LIMIT (M2, M10)																																		
0370 10728331	LIMIT (M5, M13)																																		
0370 10728332	LIMIT (M4, M6, M12, M14)																																		
0370 10728334	LIMIT (M7, M15)																																		
0370 10728338	LIMIT PRIMARY (M3, M11)																																		
0410 M0253516	SCREW-TR (QTY AR)																																		
0510 M0219918	SCREW-SM (QTY AR)																																		
0550 M0219916	SCREW-SM (QTY AR)																																		
0560 M0224303	SCREW-SM (QTY AR)																																		
0580 11008802	BAFFLE-DECK (M4, M12)																																		
0640 M0211021	SCREW-SM (QTY AR)																																		
0650 M0211020	SCREW-SM (QTY AR)																																		

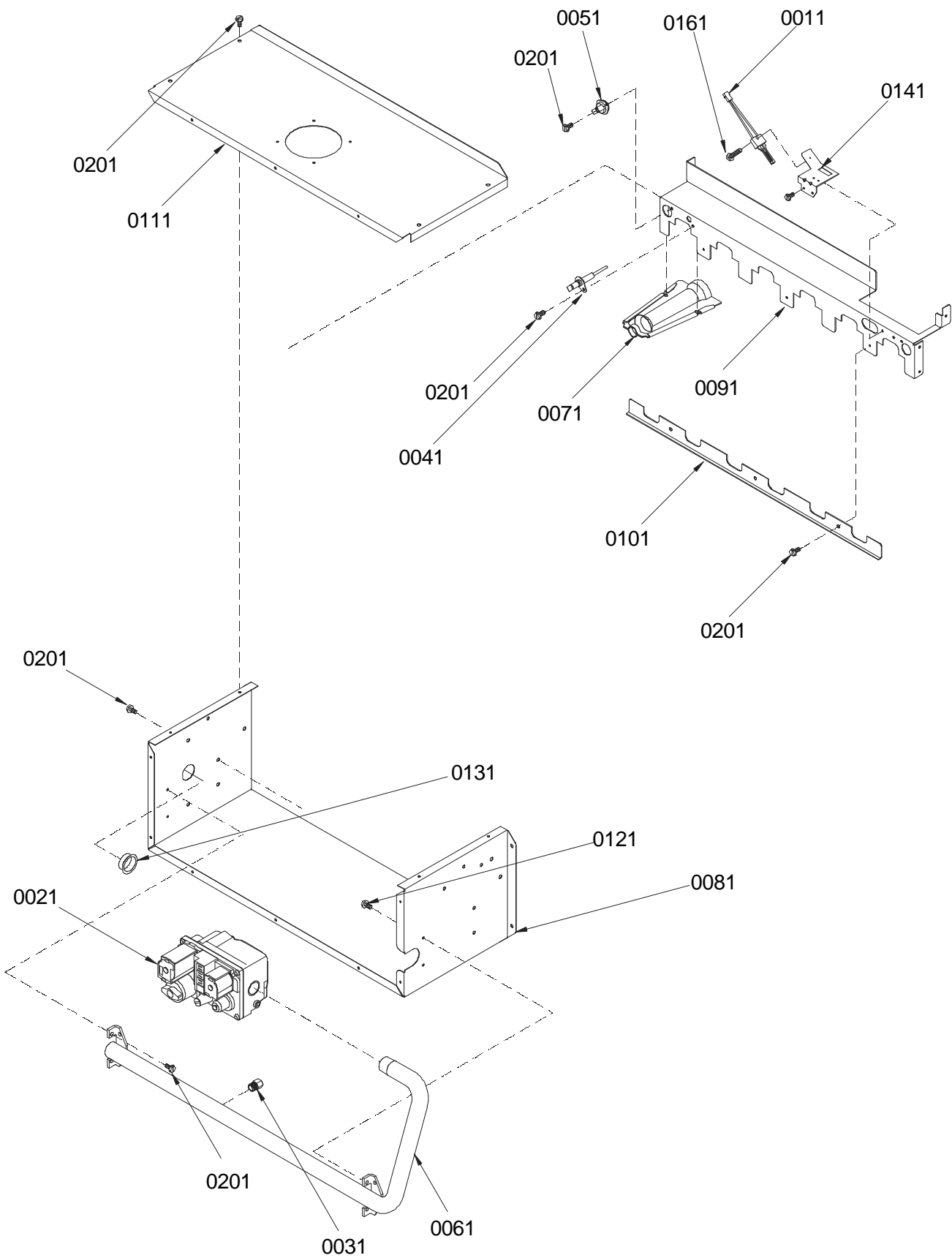
Blower Assembly & Integrated Control



Blower Assembly & Integrated Control

Ref. Part No: No:	Description:	Ref. Part No: No:	Description:
<i>Image 1:</i>		Expanded Model and Color Nomenclature	
0020 A3410501	STRAP-CAPACITOR (M4, M5, M7, M8, M12, M13, M15, M16)	M1 - GUIC045CA30	P1229101F
0020 A4055402	STRAP-CAPACITOR (M1, M2, M3, M6, M9, M10, M11, M14)	M2 - GUIC070CA30	P1229102F
0040 M0250558	SCREW-TC (QTY AR)	M3 - GUIC070CA40	P1229103F
0080 10744901	RAIL-SIDE BLOWER	M4 - GUIC090CA30	P1229104F
0090 10744902	RAIL-SIDE BLOWER	M5 - GUIC090CA50	P1229105F
0120 C6121803	CUTOFF (M6, M14)	M6 - GUIC115CA40	P1229106F
0120 C6121806	CUTOFF (M7, M8, M15, M16)	M7 - GUIC115CA50	P1229107F
0120 C6121810	CUTOFF (M1, M2, M3, M4, M5, M9, M10, M11, M12, M13)	M8 - GUIC140CA50	P1229108F
0160 10099901	CAPACITOR (M2, M10)	M9 - GUIC045CX30	P1229301F
0160 D6859325	CAPACITOR (M1, M3, M6, M9, M11, M14)	M10 - GUIC070CX30	P1229302F
0160 D6879739	CAPACITOR (M4, M12)	M11 - GUIC070CX40	P1229303F
0160 D6879740	CAPACITOR (M5, M7, M8, M13, M15, M16)	M12 - GUIC090CX30	P1229304F
0170 D6723301	WHEEL-BLOWER (M1, M2, M9, M10)	M13 - GUIC090CX50	P1229305F
0170 D6723302	WHEEL-BLOWER (M3, M4, M5, M11, M12, M13)	M14 - GUIC115CX40	P1229306F
0170 D6723303	WHEEL-BLOWER (M7, M8, M15, M16)	M15 - GUIC115CX50	P1229307F
0170 D6723310	WHEEL-BLOWER (M6, M14)	M16 - GUIC140CX50	P1229308F
0180 20046602	MOTOR BLOW 1/3 HP (M2, M10)		
0180 20046604	MOTOR BLOW 1/3 HP (M1, M9)		
0180 20046612	MOTOR BLOW 3/4 HP (M5, M8, M13, M16)		
0180 20046613	MOTOR BLOW 3/4 HP (M7, M15)		
0180 20046606	MOTOR-BLOW 1/2 HP (M3, M11)		
0180 20046609	MOTOR-BLOW 1/2 HP (M4, M12)		
0180 20046610	MOTOR-BLOW 1/2 HP (M6, M14)		
0190 11185801	BLOWER HSG WELD (M1, M2, M9, M10)		
0190 11185803	BLOWER HSG WELD (M3, M4, M5, M11, M12, M13)		
0190 11185804	BLOWER HSG WELD (M7, M8, M15, M16)		
0190 11185808	BLOWER HSG WELD (M6, M14)		
0210 M0219916	SCREW-SM (QTY AR)		
0220 M0253516	SCREW-TR (QTY AR)		
0291 M0321202	TIE-ELEC LG (QTY AR)		
0400 10207709	CONTROL-INTEG		
0460 10746204	BRKT-CONTROL		
0470 M0211020	SCREW-SM (QTY AR)		
0500 M0219916	SCREW-SM (QTY AR)		
0570 M0216536	SCREW-SM (QTY AR)		
0820 C6349703	TRANSFORMER		

Manifold Assembly



Manifold Assembly

Ref. Part No:	No:	Description:
<i>Image 1:</i>		
0010	10735002	IGNITOR
0020	C6476907	VALVE-GAS
0030	10716003	ORIFICE (QTY 2)
0040	10735201	FLAME-SENSOR
0050	10123528	LIMIT-RESET MAN (M1, M9)
0050	10123529	LIMIT-RESET MAN (M2, M3, M4, M5, M10, M11, M12, M13)
0050	10123531	LIMIT-RESET MAN (M8, M16)
0050	10123532	LIMIT-RESET MAN (M6, M7, M14, M15)
0060	10568801	MANIFOLD (M1, M9)
0060	10568802	MANIFOLD (M2, M3, M10, M11)
0060	10568803	MANIFOLD (M4, M5, M12, M13)
0060	10568804	MANIFOLD (M6, M7, M14, M15)
0060	10568805	MANIFOLD (M8, M16)
0070	10735102	BECKETT BURNER (QTY 2)
0080	10734410	BOX-BURNER (M1, M9)
0080	10734411	BOX-BURNER (M2, M3, M10, M11)
0080	10734412	BOX-BURNER (M4, M5, M12, M13)
0080	10734413	BOX-BURNER (M6, M7, M14, M15)
0080	10734414	BOX-BURNER (M8, M16)
0090	11008101	BRKT-BURNER (M1, M9)
0090	11008102	BRKT-BURNER (M2, M3, M10, M11)
0090	11008103	BRKT-BURNER (M4, M5, M12, M13)
0090	11008104	BRKT-BURNER (M6, M7, M14, M15)
0090	11008105	BRKT-BURNER (M8, M16)
0100	10734701	BRKT-LOCK BURNER (M1, M9)
0100	10734702	BRKT-LOCK BURNER (M2, M3, M10, M11)
0100	10734703	BRKT-LOCK BURNER (M4, M5, M12, M13)
0100	10734704	BRKT-LOCK BURNER (M6, M7, M14, M15)
0100	10734705	BRKT-LOCK BURNER (M8, M16)
0110	10734501	TOP-BOX BURNER (M1, M9)
0110	10734503	TOP-BOX BURNER (M4, M5, M12, M13)
0110	10734504	TOP-BOX BURNER (M6, M7, M14, M15)
0110	10734505	TOP-BOX BURNER (M8, M16)
0110	20177102	TOP-BRNR BOX (M2, M3, M10, M11)
0120	M0253516	SCREW-TR (QTY AR)
0130	A4554801	BUSHING-SNAP
0140	11008703	BRKT-SENSOR
0160	M0216519	SCREW-SM (QTY AR)
0200	M0216529	SCREW-SM (QTY AR)

Ref. Part No:	No:	Description:
---------------	-----	--------------

Expanded Model and Color Nomenclature

M1 - GUIC045CA30	P1229101F
M2 - GUIC070CA30	P1229102F
M3 - GUIC070CA40	P1229103F
M4 - GUIC090CA30	P1229104F
M5 - GUIC090CA50	P1229105F
M6 - GUIC115CA40	P1229106F
M7 - GUIC115CA50	P1229107F
M8 - GUIC140CA50	P1229108F
M9 - GUIC045CX30	P1229301F
M10 - GUIC070CX30	P1229302F
M11 - GUIC070CX40	P1229303F
M12 - GUIC090CX30	P1229304F
M13 - GUIC090CX50	P1229305F
M14 - GUIC115CX40	P1229306F
M15 - GUIC115CX50	P1229307F
M16 - GUIC140CX50	P1229308F