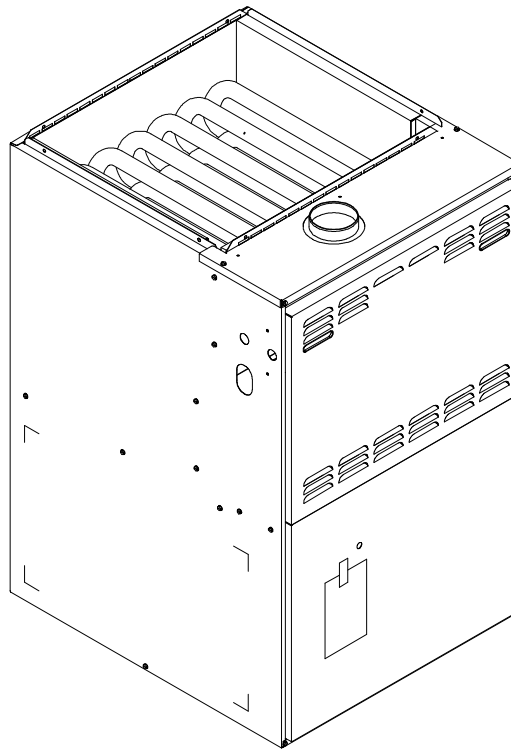


# Parts

## GUIC Gas Furnace



Models and manufacturing  
numbers in this manual

GUIC045CA30	P1229001F
GUIC045CX30	P1229201F
GUIC070CA30	P1229002F
GUIC070CA40	P1229003F
GUIC070CX30	P1229202F
GUIC070CX40	P1229203F
GUIC090CA30	P1229004F
GUIC090CA50	P1229005F
GUIC090CX30	P1229204F
GUIC090CX50	P1229205F
GUIC115CA40	P1229006F
GUIC115CA50	P1229007F
GUIC115CX40	P1229206F
GUIC115CX50	P1229207F
GUIC140CA50	P1229008F
GUIC140CX50	P1229208F

This manual is to be used by qualified appliance technicians only. Amana does not assume any responsibility for property damage or personal injury for improper service procedures done by an unqualified person.

**Amana**

RP6620028  
Revision 0  
March 2000

## Important Information

---

Amana is not responsible for personal injury or property damage resulting from improper service. Review all service information before beginning repairs.

Warranty service must be performed by an authorized technician, using authorized factory parts. If service is required after the warranty expires, Amana also recommends contacting an authorized technician and using authorized factory parts. Locate an authorized technician by calling 800-NATLSVC (800-628-5782).

For assistance within the U.S.A. contact:

Consumer Affairs Department  
Amana  
2800 220th Trail  
Amana IA 52204-0001  
319-622-5511--Telephone  
319-622-2977--Facsimile

For assistance outside the U.S.A. contact:

International Division  
Amana  
2800 220th Trail  
Amana IA 52204-0001  
USA  
319-622-5511--Telephone  
319-622-8595--Facsimile

# Index

Functional Parts List .....	4 - 5
Illustration and Parts .....	6 - 13

*Views shown are for parts illustrations only, not servicing procedures.*

### Text Codes:

AR - As Required

NA - Not Available

NS - Not Shown

00000000 - See Note

QTY - Quantity Example (QTY 3) (If Quantity not shown, Quantity = 1)

M - Model Example (M1) (If M Code not shown, then part is used on all Models)

### Expanded Model and Color Nomenclature:

Example	
M1 - Model#1	P _____
M2 - Model#2	P _____
M3 - Model#3	P _____

# Functional Parts

## Part

## No: Description:

---

10735102	BECKETT BURNER (QTY AR)
20044401	BLOWER-ID
D6879752	CAPACITOR (M2, M10)
D6879740	CAPACITOR (M5, M7, M8, M13, M15, M16)
D6879739	CAPACITOR (M4, M12)
D6879747	CAPACITOR (M1, M3, M6, M9, M11, M14)
10207709	CONTROL-INTEG
10735201	FLAME-SENSOR
11135203	HARNESS-WIRING
10735002	IGNITOR
10728326	LIMIT PRIMARY (M2, M10)
10728324	LIMIT PRIMARY (M8, M16)
10728338	LIMIT PRIMARY (M3, M11)
10728331	LIMIT PRIMARY (M5, M13)
10728334	LIMIT PRIMARY (M7, M15)
10728322	LIMIT PRIMARY (M1, M9)
10728332	LIMIT PRIMARY (M4, M6, M12, M14)
10123525	LIMIT-RESET MAN (AUXILIARY)
10123529	LIMIT-RESET MAN (ROLLOUT) (M2, M3, M4, M5, M10, M11, M12, M13)
10123531	LIMIT-RESET MAN (ROLLOUT) (M8, M16)
10123532	LIMIT-RESET MAN (ROLLOUT) (M6, M7, M14, M15)
10123528	LIMIT-RESET MAN (ROLLOUT) (M1, M9)
20046604	MOTOR BLOW 1/3 HP (M1, M9)
20046602	MOTOR BLOW 1/3 HP (M2, M10)
20046613	MOTOR BLOW 3/4 HP (M7, M15)
20046612	MOTOR BLOW 3/4 HP (M5, M8, M13, M16)
20046606	MOTOR-BLOW 1/2 HP (M3, M11)
20046609	MOTOR-BLOW 1/2 HP (M4, M12)
20046610	MOTOR-BLOW 1/2 HP (M6, M14)
10716003	ORIFICE (QTY AR)
10690401	SWITCH-INTERLOCK
10727920	SWITCH-PRESSURE
C6349703	TRANSFORMER
C6476907	VALVE-GAS

# Functional Parts

## Part

**No:**            **Description:**

---

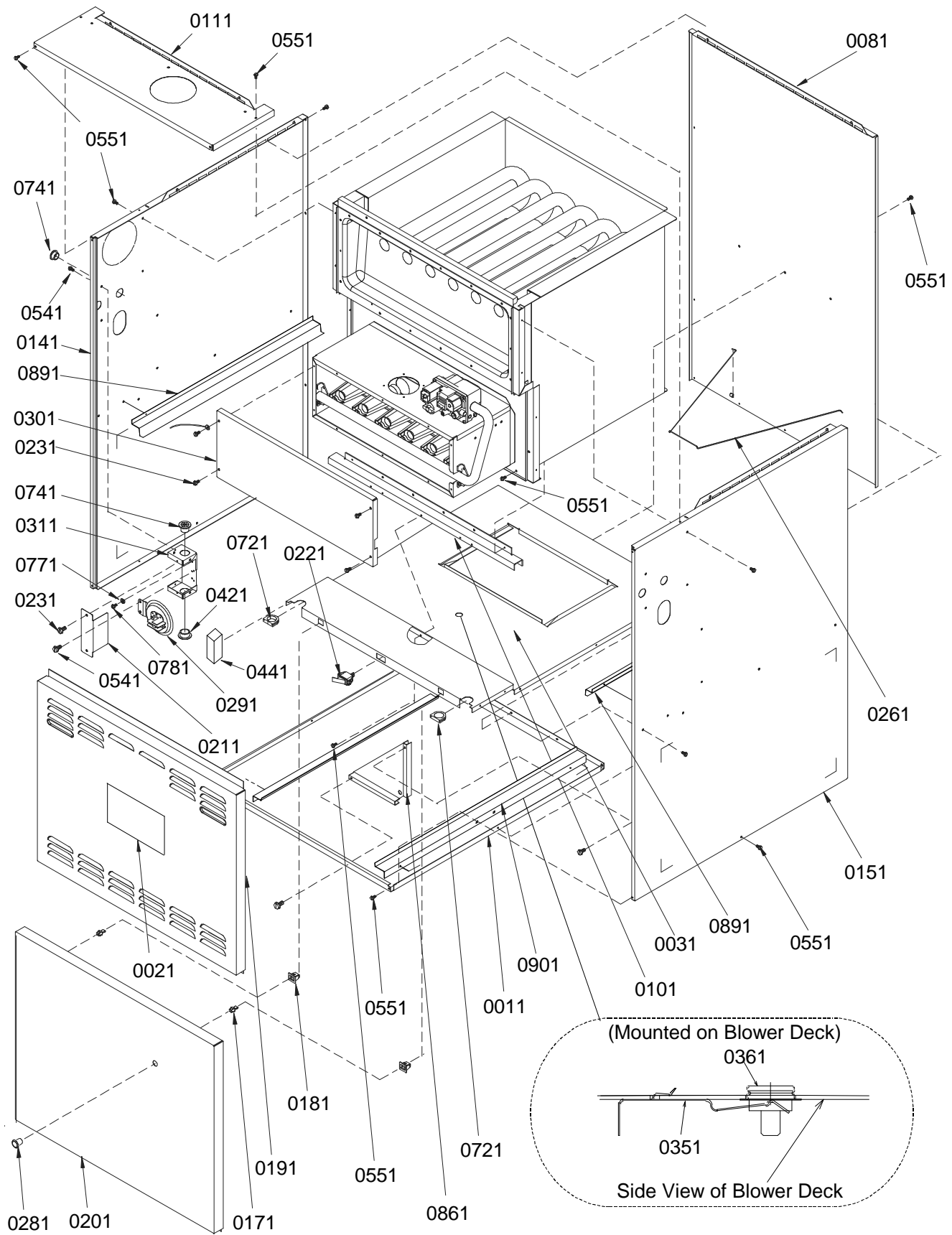
### SPECIAL PARTS

11067325    INSTR-HI ALT FR  
11067376    INSTR-INSTALL FR  
11067324    INSTR-LP FR  
10759826    INSTRUCT-INSTALL  
RP6620028   MANUAL-PARTS  
10759619    MANUAL-USERS  
11067378    MANUAL-USERS FR  
11110619    SPEC SHEET  
11067375    SPEC SHEET FR

### Expanded Model and Color Nomenclature

M1 - GUIC045CA30	P1229001F
M2 - GUIC070CA30	P1229002F
M3 - GUIC070CA40	P1229003F
M4 - GUIC090CA30	P1229004F
M5 - GUIC090CA50	P1229005F
M6 - GUIC115CA40	P1229006F
M7 - GUIC115CA50	P1229007F
M8 - GUIC140CA50	P1229008F
M9 - GUIC045CX30	P1229201F
M10 - GUIC070CX30	P1229202F
M11 - GUIC070CX40	P1229203F
M12 - GUIC090CX30	P1229204F
M13 - GUIC090CX50	P1229205F
M14 - GUIC115CX40	P1229206F
M15 - GUIC115CX50	P1229207F
M16 - GUIC140CX50	P1229208F

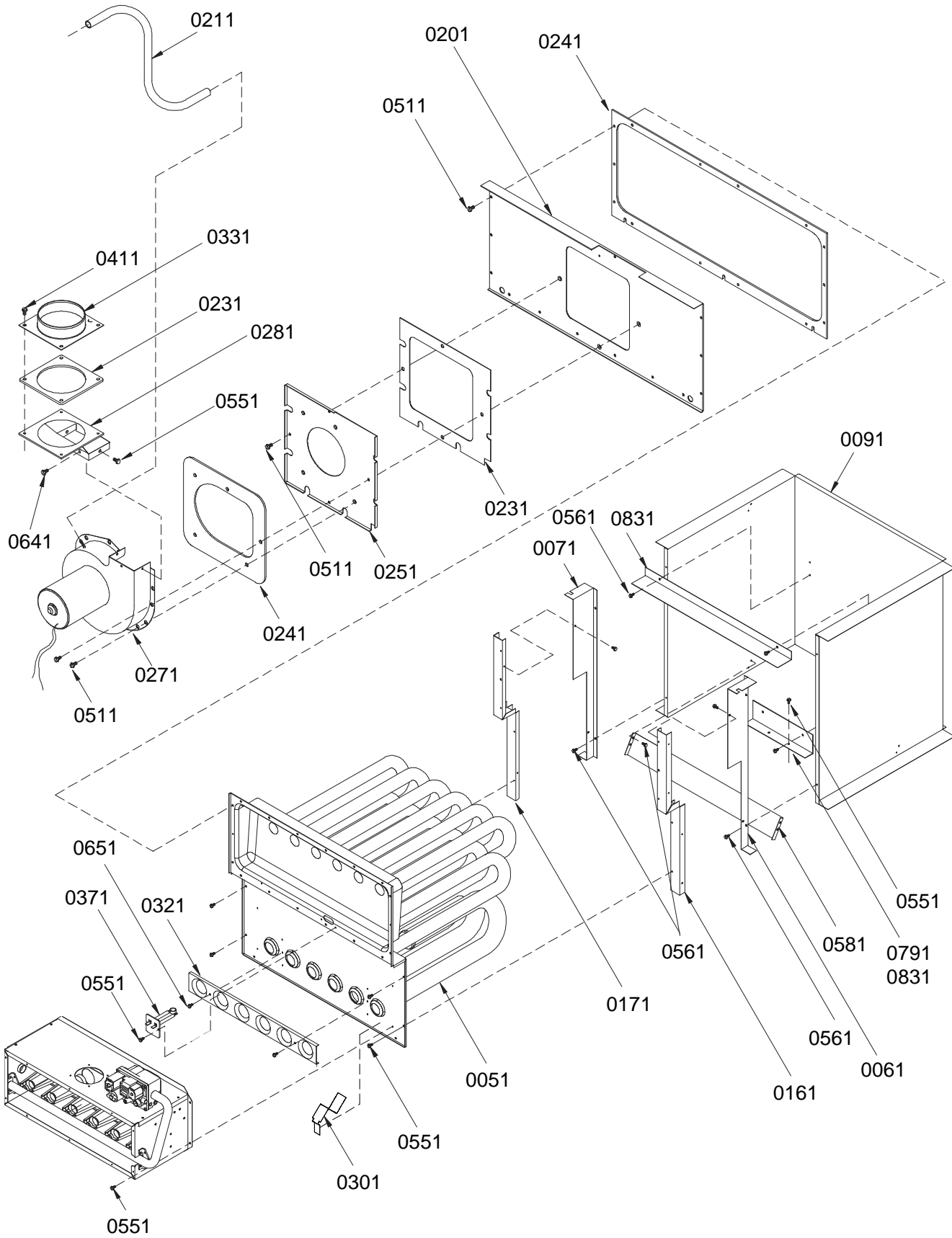
# Cabinet Assembly



# Cabinet Assembly

Ref. Part No:	Description:	Ref. Part No:	Description:
<i>Image 1:</i>		0861 11094903	BRKT-CORNER (QTY 2)
0011 20273401	BASEPAN-UPFLOW (M1, M2, M3, M9, M10, M11)	0891 10690301	ANGLE-FILTER (QTY 2)
0011 20273402	BASEPAN-UPFLOW (M4, M5, M12, M13)	0901 20242801	RAIL-FILTER (QTY 2)
0011 20273403	BASEPAN-UPFLOW (M6, M7, M8, M14, M15, M16)	<b>Expanded Model and Color Nomenclature</b>	
0021 20213209	NAMEPLATE-AMANA	M1 - GUIC045CA30	P1229001F
0031 11034806	DECK-BLOWER (M1, M2, M3, M9, M10, M11)	M2 - GUIC070CA30	P1229002F
0031 11034808	DECK-BLOWER (M4, M5, M12, M13)	M3 - GUIC070CA40	P1229003F
0031 11034809	DECK-BLOWER (M7, M8, M15, M16)	M4 - GUIC090CA30	P1229004F
0031 11034810	DECK-BLOWER (M6, M14)	M5 - GUIC090CA50	P1229005F
0081 20273201	PANEL-BACK (M1, M2, M3, M9, M10, M11)	M6 - GUIC115CA40	P1229006F
0081 20273202	PANEL-BACK (M4, M5, M12, M13)	M7 - GUIC115CA50	P1229007F
0081 20273203	PANEL-BACK (M6, M7, M8, M14, M15, M16)	M8 - GUIC140CA50	P1229008F
0101 10728401	SUPPORT-PART PAN (M1, M2, M3, M9, M10, M11)	M9 - GUIC045CX30	P1229201F
0101 10728402	SUPPORT-PART PAN (M4, M5, M12, M13)	M10 - GUIC070CX30	P1229202F
0101 10728403	SUPPORT-PART PAN (M6, M7, M8, M14, M15, M16)	M11 - GUIC070CX40	P1229203F
0111 20273307	COVER-FLUE (M1, M2, M3, M9, M10, M11)	M12 - GUIC090CX30	P1229204F
0111 20273308	COVER-FLUE (M4, M5, M12, M13)	M13 - GUIC090CX50	P1229205F
0111 20273309	COVER-FLUE (M6, M7, M8, M14, M15, M16)	M14 - GUIC115CX40	P1229206F
0141 20273601	PANEL-SIDE LH UF	M15 - GUIC115CX50	P1229207F
0151 20273701	PANEL-SIDE RH UF	M16 - GUIC140CX50	P1229208F
0171 10690101	STRIKE-DOOR (QTY 2)		
0181 10690002	DOOR CATCH ASSY (QTY 2)		
0191 20272901	DOOR-ACCESS (M1, M2, M3, M9, M10, M11)		
0191 20272902	DOOR-ACCESS (M4, M5, M12, M13)		
0191 20272903	DOOR-ACCESS (M6, M7, M8, M14, M15, M16)		
0201 20272801	DOOR-BLOWER (M1, M2, M3, M9, M10, M11)		
0201 20272802	DOOR-BLOWER (M4, M5, M12, M13)		
0201 20272803	DOOR-BLOWER (M6, M7, M8, M14, M15, M16)		
0211 10736201	COVER-HV BOX		
0221 10690401	SWITCH-INTERLOCK		
0231 M0216529	SCREW-SM (QTY AR)		
0261 20178501	RETAINER-FILTER		
0281 11104001	SNAP-BUSHING CLR		
0291 10727920	SWITCH-PRESSURE		
0301 10734606	BOX-FRONT BNR (M1, M9)		
0301 10734607	BOX-FRONT BNR (M2, M3, M10, M11)		
0301 10734608	BOX-FRONT BNR (M4, M5, M12, M13)		
0301 10734609	BOX-FRONT BNR (M6, M7, M14, M15)		
0301 10734610	BOX-FRONT BNR (M8, M16)		
0311 10736102	BOX-HIGH VOLTAGE		
0351 10861101	BRKT-AUX LIMIT		
0361 10123525	LIMIT-RESET MAN (AUXILIARY)		
0421 A4554801	BUSHING-SNAP		
0441 11001301	GASKET-COMPT (QTY 2)		
0541 M0216716	SCREW-SM (QTY AR)		
0551 M0219916	SCREW-SM (QTY AR)		
0721 A4568804	GROMMET-D (QTY 2)		
0741 M0571002	BUSHING-SNAP (QTY 2)		
0771 M0270001	WASHER-CUP		
0781 M0227803	SCREW-TC		

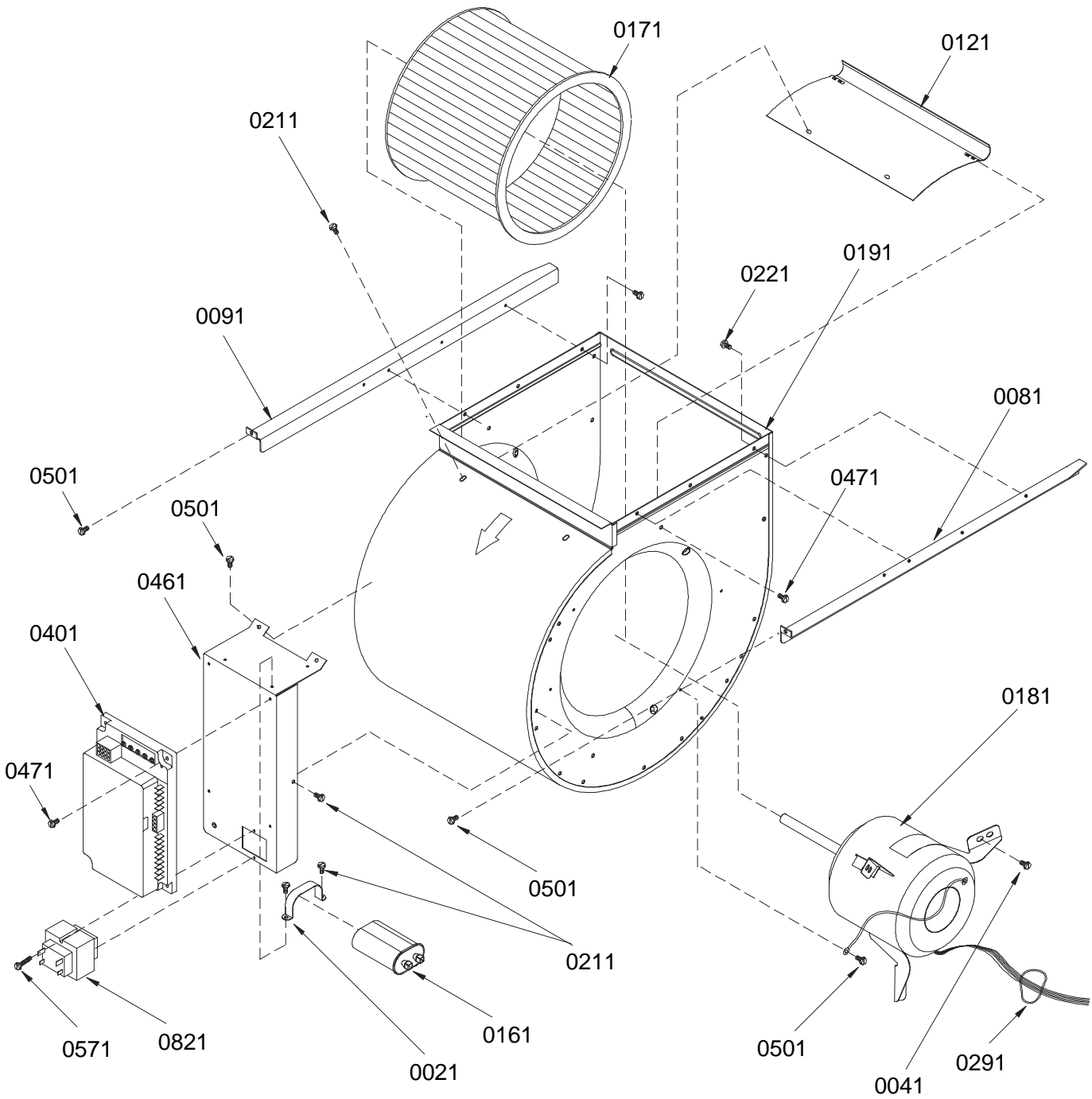
# Partition Tube Assembly & Collector Box



# Partition Tube Assembly & Collector Box

Ref. Part No:	Description:	Ref. Part No:	Description:
<i>Image 1:</i>		0641 M0211021	SCREW-SM
0051 11094106	PART/TUBE ASSY (M1, M9)	0651 M0211020	SCREW-SM (QTY AR)
0051 11094107	PART/TUBE ASSY (M2, M3, M10, M11)	0791 11008306	BAFFLE-LINER (M2, M3, M4, M5, M6, M7, M8, M10, M11, M12, M13, M14, M15, M16)
0051 11094108	PART/TUBE ASSY (M4, M5, M12, M13)	0831 11008302	BAFFLE-LINER (M2, M3, M10, M11)
0051 11094109	PART/TUBE ASSY (M6, M7, M14, M15)	0831 11008303	BAFFLE-LINER (M4, M5, M12, M13)
0051 11094110	PART/TUBE ASSY (M8, M16)	0831 11008304	BAFFLE-LINER (M6, M7, M14, M15)
0061 10728601	BRKT-LINER MTG	0831 11008305	BAFFLE-LINER (M8, M16)
0071 10728602	BRKT-LINER MTG	0831 11008306	BAFFLE-LINER (M1, M9) (QTY 2)
0091 10728707	LINER-CABINET (M1, M9)	<b>Expanded Model and Color Nomenclature</b>	
0091 10728708	LINER-CABINET (M2, M3, M10, M11)	M1 - GUIC045CA30	P1229001F
0091 10728709	LINER-CABINET (M4, M5, M12, M13)	M2 - GUIC070CA30	P1229002F
0091 10728710	LINER-CABINET (M6, M7, M14, M15)	M3 - GUIC070CA40	P1229003F
0091 10728711	LINER-CABINET (M8, M16)	M4 - GUIC090CA30	P1229004F
0161 10728503	RAIL-PART PANEL	M5 - GUIC090CA50	P1229005F
0171 10728504	RAIL-PART PANEL	M6 - GUIC115CA40	P1229006F
0201 10764404	PLATE-PARTITION (M1, M2, M3, M9, M10, M11)	M7 - GUIC115CA50	P1229007F
0201 10764405	PLATE-PARTITION (M4, M5, M12, M13)	M8 - GUIC140CA50	P1229008F
0201 10764406	PLATE-PARTITION (M6, M7, M8, M14, M15, M16)	M9 - GUIC045CX30	P1229201F
0211 B1410303	HOSE-PRESSURE SW (M1, M2, M3, M9, M10, M11)	M10 - GUIC070CX30	P1229202F
0211 B1410304	HOSE-PRESSURE SW (M4, M5, M8, M12, M13, M16)	M11 - GUIC070CX40	P1229203F
0211 B1410305	HOSE-PRESSURE SW (M6, M7, M14, M15)	M12 - GUIC090CX30	P1229204F
0231 10764601	GASKET-ROTATE PLT	M13 - GUIC090CX50	P1229205F
0241 11142201	GASKET-COLL/ID (M1, M2, M3, M9, M10, M11)	M14 - GUIC115CX40	P1229206F
0241 11142202	GASKET-COLL/ID (M4, M5, M12, M13)	M15 - GUIC115CX50	P1229207F
0241 11142203	GASKET-COLL/ID (M6, M7, M8, M14, M15, M16)	M16 - GUIC140CX50	P1229208F
0251 10764301	PLATE-ROTATING (M1, M9)		
0251 10764303	PLATE-ROTATING (M2, M3, M10, M11)		
0251 10764304	PLATE-ROTATING (M4, M5, M12, M13)		
0251 10764313	PLATE-ROTATING (M6, M7, M8, M14, M15, M16)		
0271 20044401	BLOWER-ID		
0281 11072301	TRAN-ID BLOW		
0301 10624002	INSERT-MESH TUBE (M9, M10, M11, M12, M13, M14, M15, M16) (QTY AR)		
0321 11072201	SHIELD-ORIFICE (M1, M9)		
0321 11072202	SHIELD-ORIFICE (M2, M3, M10, M11)		
0321 11072203	SHIELD-ORIFICE (M4, M5, M12, M13)		
0321 11072204	SHIELD-ORIFICE (M6, M7, M14, M15)		
0321 11072205	SHIELD-ORIFICE (M8, M16)		
0331 11009701	TOP-TRAN PLATE		
0371 10728322	LIMIT PRIMARY (M1, M9)		
0371 10728324	LIMIT PRIMARY (M8, M16)		
0371 10728326	LIMIT PRIMARY (M2, M10)		
0371 10728331	LIMIT PRIMARY (M5, M13)		
0371 10728332	LIMIT PRIMARY (M4, M6, M12, M14)		
0371 10728334	LIMIT PRIMARY (M7, M15)		
0371 10728338	LIMIT PRIMARY (M3, M11)		
0411 M0253516	SCREW-TR (QTY AR)		
0511 M0219918	SCREW-SM (QTY AR)		
0551 M0219916	SCREW-SM (QTY AR)		
0561 M0224303	SCREW-SM (QTY AR)		
0581 11008802	BAFFLE-DECK (M4, M12)		

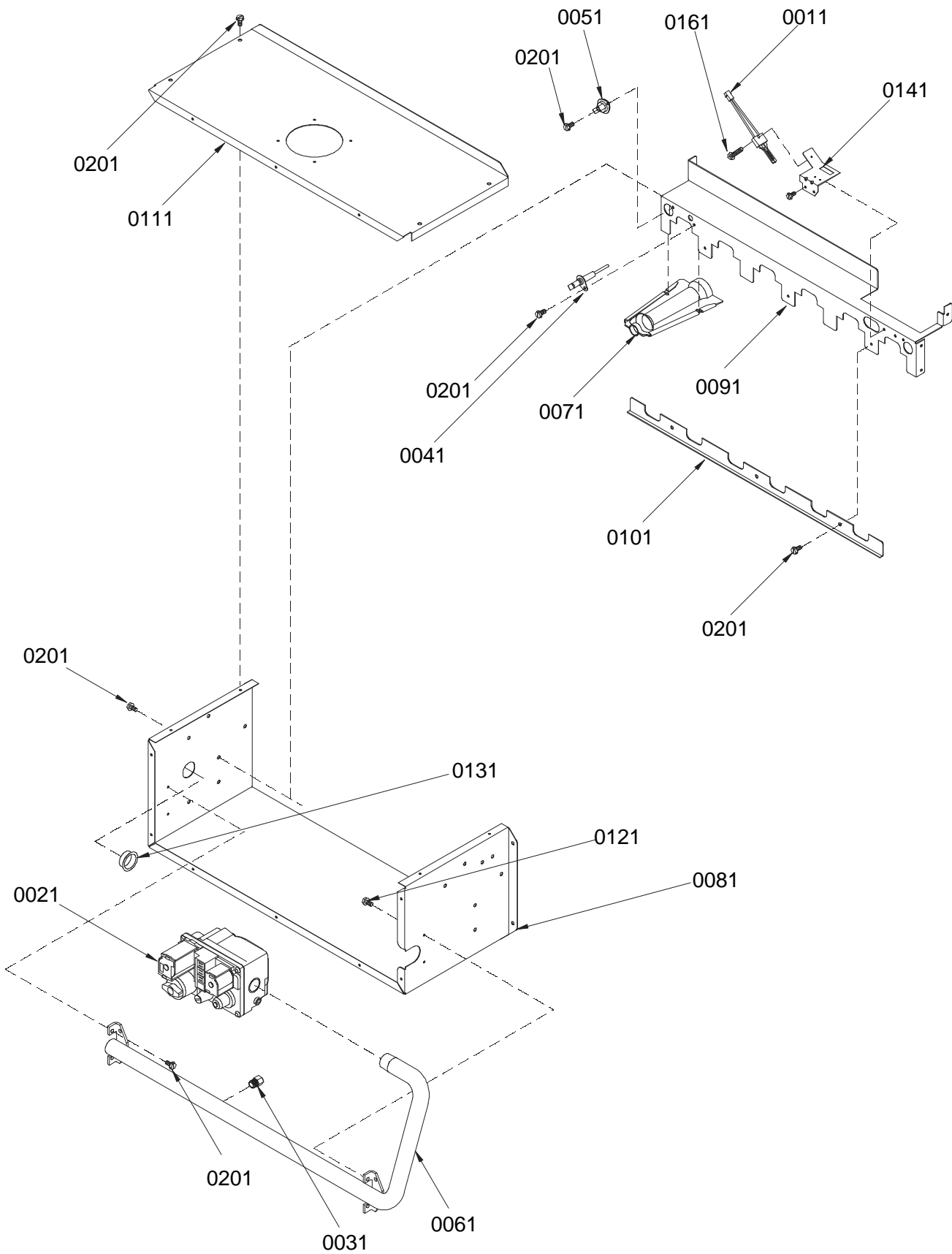
# Blower Assembly & Integrated Control



# Blower Assembly & Integrated Control

Ref. Part No: No:	Description:	Ref. Part No: No:	Description:
<i>Image 1:</i>		<b>Expanded Model and Color Nomenclature</b>	
0021 A3410501	STRAP-CAPACITOR (M4, M5, M7, M8, M12, M13, M15, M16)	M1 - GUIC045CA30	P1229001F
0021 A4055402	STRAP-CAPACITOR (M1, M2, M3, M6, M9, M10, M11, M14)	M2 - GUIC070CA30	P1229002F
0041 M0250558	SCREW-TC (QTY AR)	M3 - GUIC070CA40	P1229003F
0081 10744901	RAIL-SIDE BLOWER	M4 - GUIC090CA30	P1229004F
0091 10744902	RAIL-SIDE BLOWER	M5 - GUIC090CA50	P1229005F
0121 C6121803	CUTOFF (M6, M14)	M6 - GUIC115CA40	P1229006F
0121 C6121806	CUTOFF (M7, M8, M15, M16)	M7 - GUIC115CA50	P1229007F
0121 C6121810	CUTOFF (M1, M2, M3, M4, M5, M9, M10, M11, M12, M13)	M8 - GUIC140CA50	P1229008F
0161 D6879739	CAPACITOR (M4, M12)	M9 - GUIC045CX30	P1229201F
0161 D6879740	CAPACITOR (M5, M7, M8, M13, M15, M16)	M10 - GUIC070CX30	P1229202F
0161 D6879747	CAPACITOR (M1, M3, M6, M9, M11, M14)	M11 - GUIC070CX40	P1229203F
0161 D6879752	CAPACITOR (M2, M10)	M12 - GUIC090CX30	P1229204F
0171 D6723301	WHEEL-BLOWER (M1, M2, M9, M10)	M13 - GUIC090CX50	P1229205F
0171 D6723302	WHEEL-BLOWER (M3, M4, M5, M11, M12, M13)	M14 - GUIC115CX40	P1229206F
0171 D6723303	WHEEL-BLOWER (M7, M8, M15, M16)	M15 - GUIC115CX50	P1229207F
0171 D6723310	WHEEL-BLOWER (M6, M14)	M16 - GUIC140CX50	P1229208F
0181 20046602	MOTOR BLOW 1/3 HP (M2, M10)		
0181 20046604	MOTOR BLOW 1/3 HP (M1, M9)		
0181 20046612	MOTOR BLOW 3/4 HP (M5, M8, M13, M16)		
0181 20046613	MOTOR BLOW 3/4 HP (M7, M15)		
0181 20046606	MOTOR-BLOW 1/2 HP (M3, M11)		
0181 20046609	MOTOR-BLOW 1/2 HP (M4, M12)		
0181 20046610	MOTOR-BLOW 1/2 HP (M6, M14)		
0191 11185801	BLOWER HSG WELD (M1, M2, M9, M10)		
0191 11185803	BLOWER HSG WELD (M3, M4, M5, M11, M12, M13)		
0191 11185804	BLOWER HSG WELD (M7, M8, M15, M16)		
0191 11185808	BLOWER HSG WELD (M6, M14)		
0211 M0219916	SCREW-SM (QTY AR)		
0221 M0253516	SCREW-TR (QTY AR)		
0291 M0321202	TIE-ELEC LG		
0401 10207709	CONTROL-INTEG		
0461 10746205	BRKT-CONTROL		
0471 M0211020	SCREW-SM (QTY AR)		
0501 M0219916	SCREW-SM (QTY AR)		
0571 M0216536	SCREW-SM (QTY AR)		
0821 C6349703	TRANSFORMER		

# Manifold Assembly



# Manifold Assembly

**Ref. Part  
No: No:**

**Description:**

**Ref. Part  
No: No:**

**Description:**

*Image 1:*

0011	10735002	IGNITOR
0021	C6476907	VALVE-GAS
0031	10716003	ORIFICE (QTY AR)
0041	10735201	FLAME-SENSOR
0051	10123528	LIMIT-RESET MAN (ROLLOUT) (M1, M9)
0051	10123529	LIMIT-RESET MAN (ROLLOUT) (M2, M3, M4, M5, M10, M11, M12, M13)
0051	10123531	LIMIT-RESET MAN (ROLLOUT) (M8, M16)
0051	10123532	LIMIT-RESET MAN (ROLLOUT) (M6, M7, M14, M15)
0061	10568801	MANIFOLD (M1, M9)
0061	10568802	MANIFOLD (M2, M3, M10, M11)
0061	10568803	MANIFOLD (M4, M5, M12, M13)
0061	10568804	MANIFOLD (M6, M7, M14, M15)
0061	10568805	MANIFOLD (M8, M16)
0071	10735102	BECKETT BURNER (QTY AR)
0081	10734410	BOX-BURNER (M1, M9)
0081	10734411	BOX-BURNER (M2, M3, M10, M11)
0081	10734412	BOX-BURNER (M4, M5, M12, M13)
0081	10734413	BOX-BURNER (M6, M7, M14, M15)
0081	10734414	BOX-BURNER (M8, M16)
0091	11008101	BRKT-BURNER (M1, M9)
0091	11008102	BRKT-BURNER (M2, M3, M10, M11)
0091	11008103	BRKT-BURNER (M4, M5, M12, M13)
0091	11008104	BRKT-BURNER (M6, M7, M14, M15)
0091	11008105	BRKT-BURNER (M8, M16)
0101	10734701	BRKT-LOCK BURNER (M1, M9)
0101	10734702	BRKT-LOCK BURNER (M2, M3, M10, M11)
0101	10734703	BRKT-LOCK BURNER (M4, M5, M12, M13)
0101	10734704	BRKT-LOCK BURNER (M6, M7, M14, M15)
0101	10734705	BRKT-LOCK BURNER (M8, M16)
0111	10734501	TOP-BOX BURNER (M1, M9)
0111	10734503	TOP-BOX BURNER (M4, M5, M12, M13)
0111	10734504	TOP-BOX BURNER (M6, M7, M14, M15)
0111	10734505	TOP-BOX BURNER (M8, M16)
0111	20177102	TOP-BRNR BOX (M2, M3, M10, M11)
0121	M0253516	SCREW-TR (QTY AR)
0131	A4554801	BUSHING-SNAP
0141	11008703	BRKT-SENSOR
0161	M0216519	SCREW-SM
0201	M0216529	SCREW-SM (QTY AR)

## Expanded Model and Color Nomenclature

M1 - GUIC045CA30	P1229001F
M2 - GUIC070CA30	P1229002F
M3 - GUIC070CA40	P1229003F
M4 - GUIC090CA30	P1229004F
M5 - GUIC090CA50	P1229005F
M6 - GUIC115CA40	P1229006F
M7 - GUIC115CA50	P1229007F
M8 - GUIC140CA50	P1229008F
M9 - GUIC045CX30	P1229201F
M10 - GUIC070CX30	P1229202F
M11 - GUIC070CX40	P1229203F
M12 - GUIC090CX30	P1229204F
M13 - GUIC090CX50	P1229205F
M14 - GUIC115CX40	P1229206F
M15 - GUIC115CX50	P1229207F
M16 - GUIC140CX50	P1229208F