

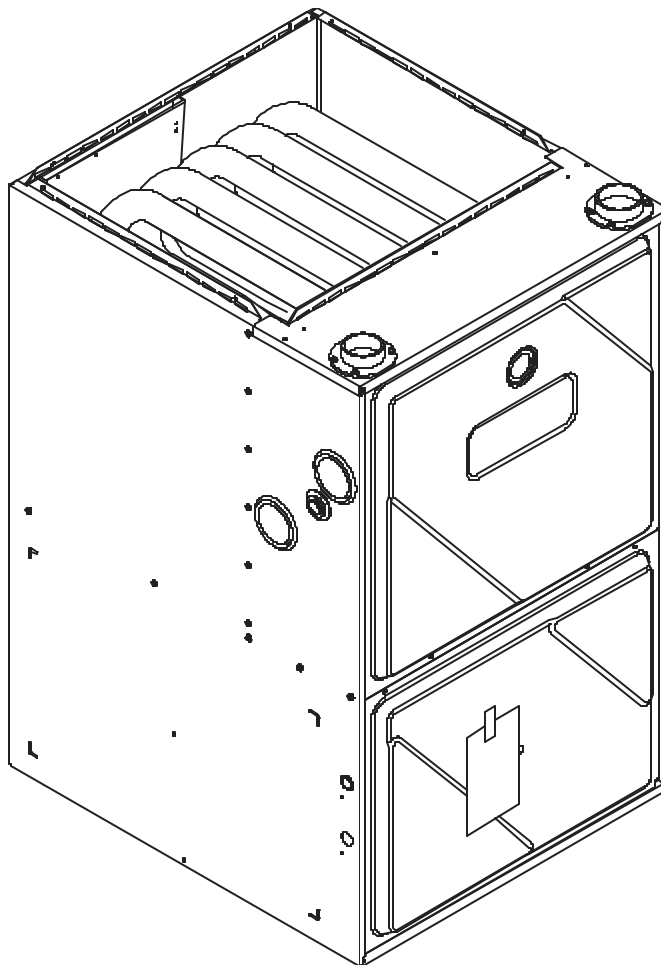
Parts

GUCA Gas Furnace

This manual replaces RP6610016 Rev. 0.

Models and manufacturing numbers in this manual

GUCA045AX30	P1227501F
GUCA045AX30	P1228901F
GUCA070AX30	P1227502F
GUCA070AX30	P1228902F
GUCA070AX40	P1227503F
GUCA070AX40	P1228903F
GUCA090AX40	P1227504F
GUCA090AX40	P1228904F
GUCA090AX50	P1227505F
GUCA090AX50	P1228905F
GUCA115AX50	P1227506F
GUCA115AX50	P1228906F



This manual is to be used by qualified appliance technicians only. Amana does not assume any responsibility for property damage or personal injury for improper service procedures done by an unqualified person.

Amana

RP6610016
Revision 1
September 1999

Important Information

Amana is not responsible for personal injury or property damage resulting from improper service. Review all service information before beginning repairs.

Warranty service must be performed by an authorized technician, using authorized factory parts. If service is required after the warranty expires, Amana also recommends contacting an authorized technician and using authorized factory parts. Locate an authorized technician by calling 800-NATLSVC (800-628-5782).

For assistance within the U.S.A. contact:

Consumer Affairs Department
Amana
2800 220th Trail
Amana IA 52204-0001
319-622-5511--Telephone
319-622-2977--Facsimile

For assistance outside the U.S.A. contact:

International Division
Amana
2800 220th Trail
Amana IA 52204-0001
USA
319-622-5511--Telephone
319-622-8595--Facsimile

Index

Functional Parts List	4 - 5
Illustration and Parts	6 - 15

Views shown are for parts illustrations only, not servicing procedures.

Added models P1227501F GUCA045AX30, P1227502F GUCA070AX30, P1227503F GUCA070AX40, P1227504F GUCA090AX40, P1227506F GUCA115AX50, P1227505F GUCA090AX50

Text Codes:

AR - As Required

NA - Not Available

NS - Not Shown

00000000 - See Note

QTY - Quantity Example (QTY 3) (If Quantity not shown, Quantity = 1)

M - Model Example (M1) (If M Code not shown, then part is used on all Models)

Expanded Model and Color Nomenclature:

Example	
M1 - Model#1	P _____
M2 - Model#2	P _____
M3 - Model#3	P _____

Functional Parts

Part

No: Description:

10735102	BECKETT BURNER (QTY AR)
20190601	BLOWER-I.D.
D6879746	CAPACITOR (M2, M3, M4, M8, M9, M10)
D6859332	CAPACITOR (M1, M5, M7, M11)
D6879740	CAPACITOR (M6, M12)
10207709	CONTROL-INTEG
10735201	FLAME-SENSOR
20200909	HARNESS-WIRING (CIRCULATOR BLOWER)
20200905	HARNESS-WIRING (MAIN)
20165702	IGNITOR
20162904	LIMIT (M1, M2, M4, M5, M6, M7, M8, M10, M11, M12)
20162903	LIMIT (M3, M9)
10123525	LIMIT-RESET MAN (M6, M12)
10123535	LIMIT-RESET MAN (M1, M2, M3, M4, M5, M7, M8, M9, M10, M11)
10123534	LIMIT-RESET MAN (M5, M6, M11, M12) (QTY 2)
10123517	LIMIT-RESET MAN (M3, M9) (QTY 2)
10123533	LIMIT-RESET MAN (M1, M2, M4, M7, M8, M10) (QTY AR)
10759309	MOTOR BLOWER 1/2 HP (M3, M4, M9, M10)
10759310	MOTOR-BLOWER 1/2 HP (M2, M8)
10759211	MOTOR-BLOWER 1/3 HP (M1, M7)
10759412	MOTOR-BLOWER 3/4 HP (M6, M12)
10759411	MOTOR-BLOWER 3/4 HP (M5, M11)
10716003	ORIFICE (QTY AR)
10690401	SWITCH-INTERLOCK
20197305	SWITCH-PRESSURE (QTY 2)
C6349703	TRANSFORMER
C6476907	VALVE-GAS

Functional Parts

Part

No: Description:

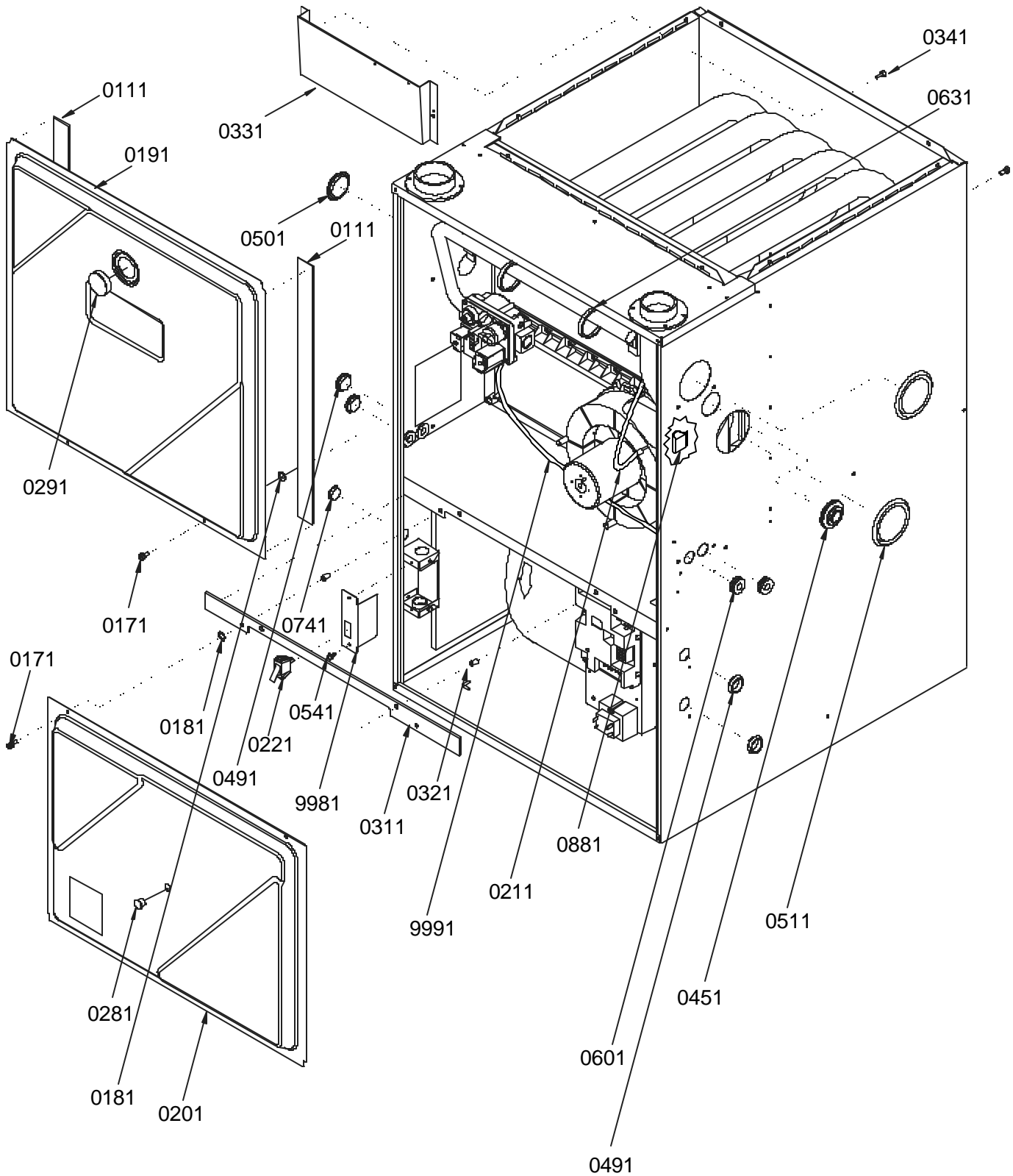
SPECIAL PARTS

11067349	INSTR-HI ALT FR
11067385	INSTR-INSTALL FR
11067348	INSTR-LP FR
10318729	INSTRUCT-INSTALL (M7, M8, M9, M10, M11, M12)
10318721	INSTRUCT-INSTALL (M1, M2, M3, M4, M5, M6)
RP6610016	MANUAL-PARTS
10318816	MANUAL-USERS (M1, M2, M3, M4, M5, M6)
10318819	MANUAL-USERS (M7, M8, M9, M10, M11, M12)
11067386	MANUAL-USERS FR
10195509	STNDPIPE BAG ASSY

Expanded Model and Color Nomenclature

M1 - GUCA045AX30	P1227501F
M2 - GUCA070AX30	P1227502F
M3 - GUCA070AX40	P1227503F
M4 - GUCA090AX40	P1227504F
M5 - GUCA090AX50	P1227505F
M6 - GUCA115AX50	P1227506F
M7 - GUCA045AX30	P1228901F
M8 - GUCA070AX30	P1228902F
M9 - GUCA070AX40	P1228903F
M10 - GUCA090AX40	P1228904F
M11 - GUCA090AX50	P1228905F
M12 - GUCA115AX50	P1228906F

Cabinet Assembly and Blower Mounting



Cabinet Assembly and Blower Mounting

Ref Part No:	Description:	Ref. Part No:	Description:
--------------	--------------	---------------	--------------

Image 1:

0111	20179308	GASKET (QTY 2)
0171	M0209717	SCREW-DECORATIVE (QTY AR)
0181	M0273904	RETAINER-SCREW (QTY AR)
0191	20240102	ACCESS DOOR-PNT (M1, M2, M7, M8)
0191	20240104	ACCESS DOOR-PNT (M3, M4, M9, M10)
0191	20240106	ACCESS DOOR-PNT (M5, M6, M11, M12)
0201	20240202	BLOWER DOOR-PNT (M1, M2, M7, M8)
0201	20240204	BLOWER DOOR-PNT (M3, M4, M9, M10)
0201	20240206	BLOWER DOOR-PNT (M5, M6, M11, M12)
0211	B1410312	HOSE-PRESSURE SW
0221	10690401	SWITCH-INTERLOCK
0281	11104001	SNAP-BUSHING CLR
0291	11104002	SNAP-BUSHING CLR
0311	20214101	GASKET-DECK (M1, M2, M7, M8)
0311	20214102	GASKET-DECK (M3, M4, M9, M10)
0311	20214103	GASKET-DECK (M5, M6, M11, M12)
0321	M0294801	INSERT-KNURLED (QTY AR)
0331	11165107	SHIELD ID BLOWER
0341	M0219918	SCREW-SM (QTY AR)
0451	M0501301	GROMMET-PIPE
0491	M0570804	PLUG-BUTTON (QTY AR)
0501	M0570802	PLUG-BUTTON
0511	M0570803	PLUG-BUTTON (QTY AR)
0541	M0216716	SCREW-SM (QTY AR)
0601	A4691701	GROMMET (QTY AR)
0631	M0321202	TIE-ELEC LG (QTY AR)
0741	M0571002	BUSHING-SNAP (QTY AR)
0881	M0104102	CLIP-CORD
9981	10736202	COVER-HV BOX
9991	B1410316	HOSE PRESSURE SW (M3, M4, M9, M10)
9991	B1410304	HOSE-PRESSURE SW (M1, M2, M7, M8)
9991	B1410317	HOSE-PRESSURE SW (M5, M6, M11, M12)
NS	10261301	SCREEN-VENT
NS	10261302	SCREEN-VENT

Expanded Model and Color Nomenclature

M1 - GUCA045AX30	P1227501F
M2 - GUCA070AX30	P1227502F
M3 - GUCA070AX40	P1227503F
M4 - GUCA090AX40	P1227504F
M5 - GUCA090AX50	P1227505F
M6 - GUCA115AX50	P1227506F
M7 - GUCA045AX30	P1228901F
M8 - GUCA070AX30	P1228902F
M9 - GUCA070AX40	P1228903F
M10 - GUCA090AX40	P1228904F
M11 - GUCA090AX50	P1228905F
M12 - GUCA115AX50	P1228906F

Blower Assembly

Image 1

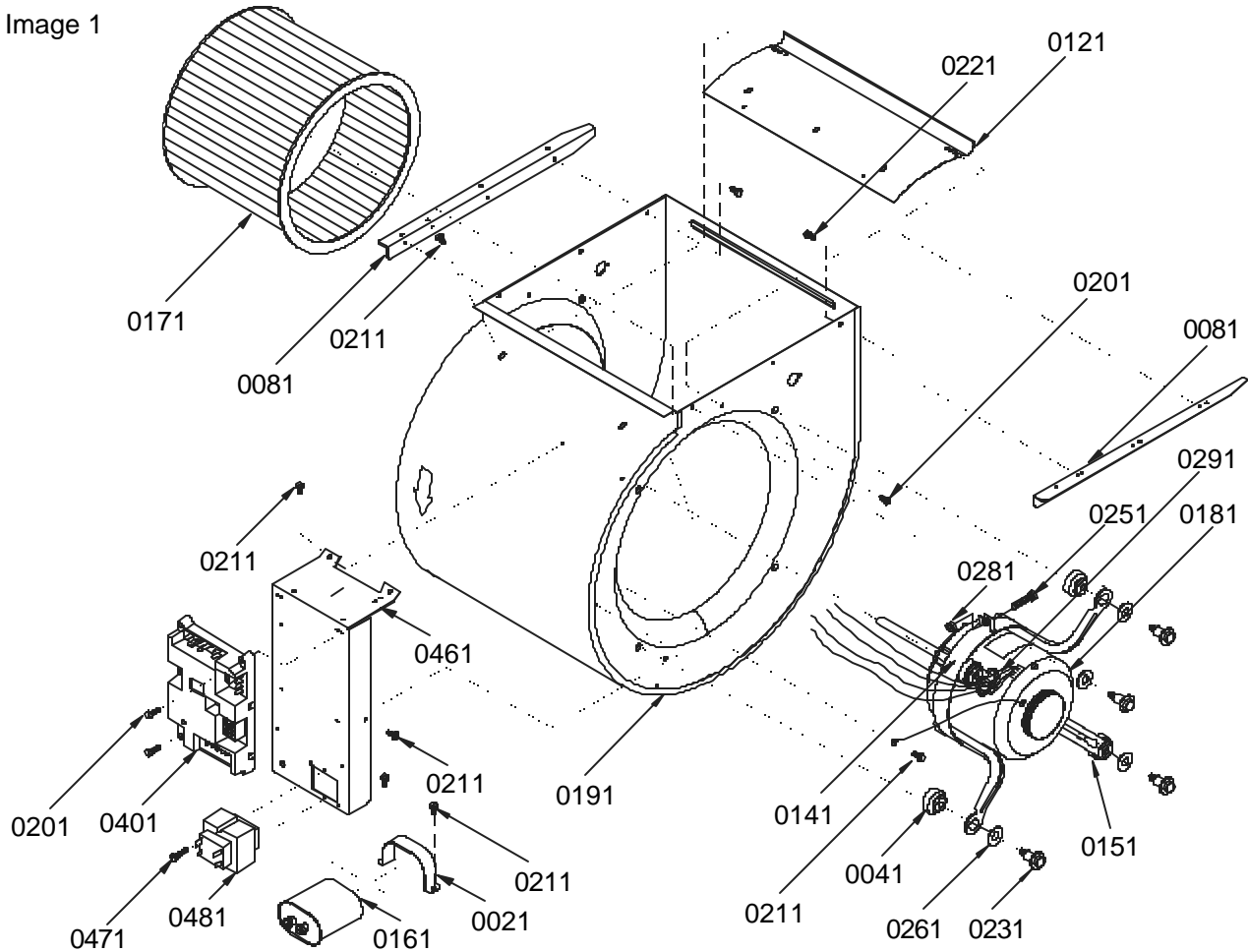
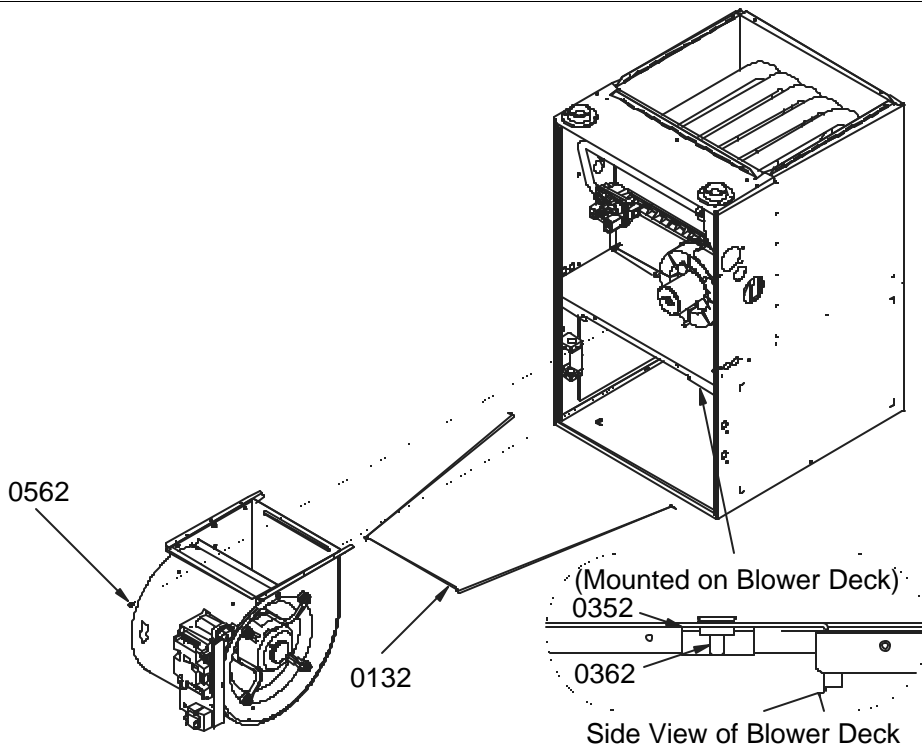


Image 2



Blower Assembly

Ref Part

No: Description:

Image 1:

0021	A3410501	STRAP-CAPACITOR (M2, M3, M4, M6, M8, M9, M10, M12)
0021	A4055402	STRAP-CAPACITOR (M1, M5, M7, M11)
0041	A4002701	GROMMET (QTY AR)
0081	20175101	RAIL-BLWR SIDE (QTY 2)
0121	C6121803	CUTOFF (M1, M2, M7, M8)
0121	C6121806	CUTOFF (M3, M4, M9, M10)
0121	C6121811	CUTOFF (M5, M6, M11, M12)
0141	10441601	BAND-MTR MOUNT
0151	10441501	ARM-MTR MOUNT (QTY 4)
0161	D6859332	CAPACITOR (M1, M5, M7, M11)
0161	D6879740	CAPACITOR (M6, M12)
0161	D6879746	CAPACITOR (M2, M3, M4, M8, M9, M10)
0171	D6723311	WHEEL-BLOWER (M6, M12)
0171	D6723319	WHEEL-BLOWER (M2, M8)
0171	D6723320	WHEEL-BLOWER (M3, M4, M5, M9, M10, M11)
0171	D6723321	WHEEL-BLOWER (M1, M7)
0181	10759309	MOTOR BLOWER 1/2 HP (M3, M4, M9, M10)
0181	10759310	MOTOR-BLOWER 1/2 HP (M2, M8)
0181	10759211	MOTOR-BLOWER 1/3 HP (M1, M7)
0181	10759411	MOTOR-BLOWER 3/4 HP (M5, M11)
0181	10759412	MOTOR-BLOWER 3/4 HP (M6, M12)
0191	11185807	HOUSING WELD 11X10 (M5, M6, M11, M12)
0191	11185805	HOUSING WELD 11X7 (M1, M2, M7, M8)
0191	11185806	HOUSING WELD 11X9 (M3, M4, M9, M10)
0201	M0211020	SCREW-SM (QTY AR)
0211	M0219916	SCREW-SM (QTY AR)
0221	M0253516	SCREW-TR (QTY AR)
0231	M0221461	SCREW-TC (QTY AR)
0251	M0267144	SCREW-MACH
0261	M0274008	WASHER-FLAT (QTY AR)
0281	M0282015	NUT-KEPS
0291	M0321202	TIE-ELEC LG
0401	10207709	CONTROL-INTEG
0461	10746204	BRKT-CONTROL
0471	M0216536	SCREW-SM (QTY AR)
0481	C6349703	TRANSFORMER
NS	M0233716	SCREW-SD (QTY AR)

Image 2:

0132	20178501	RETAINER-FILTER
0352	10861101	BRKT-AUX LIMIT
0362	10123525	LIMIT-RESET MAN (M6, M12)
0362	10123535	LIMIT-RESET MAN (M1, M2, M3, M4, M5, M7, M8, M9, M10, M11)
0562	M0219918	SCREW-SM (QTY AR)

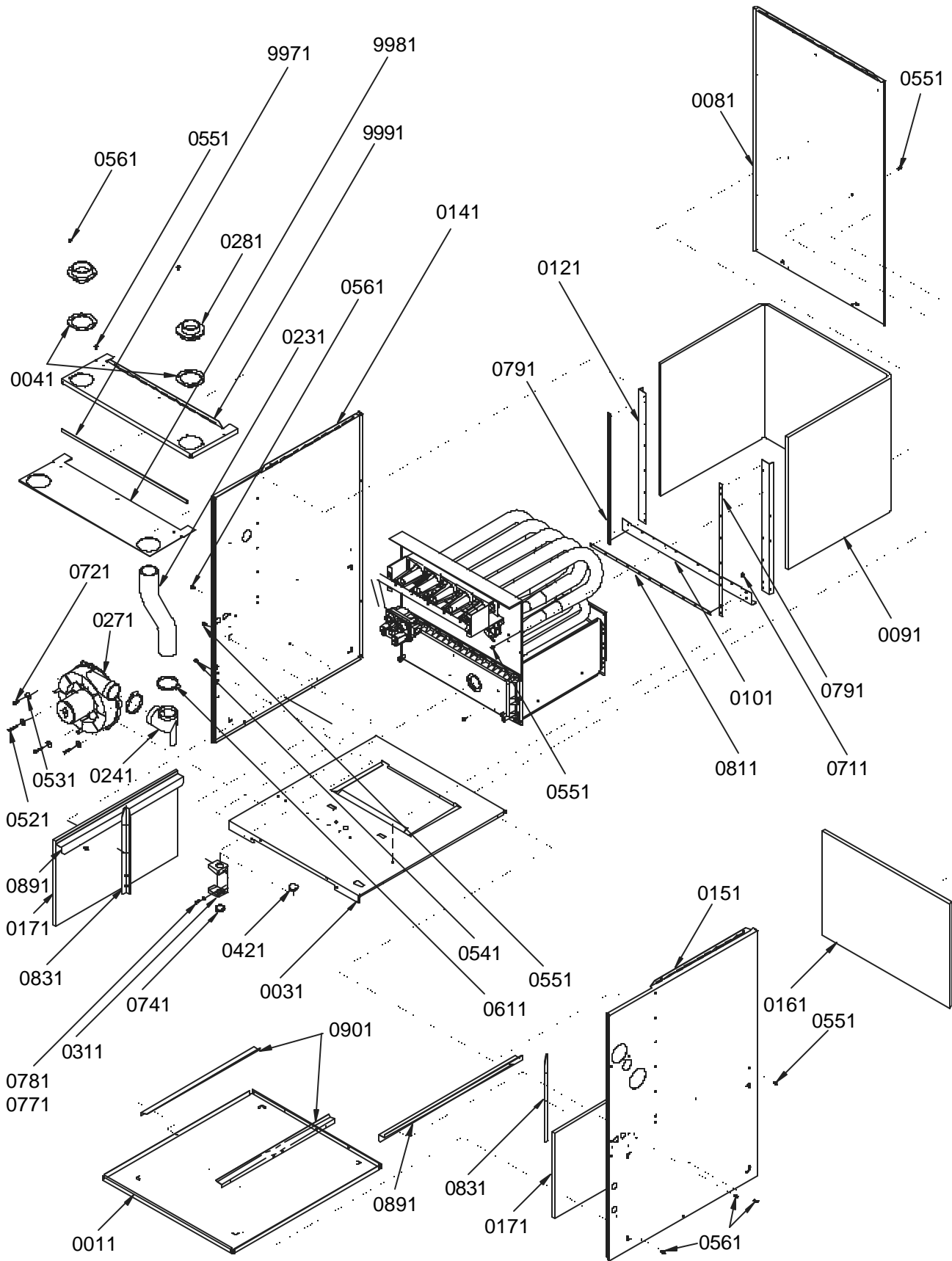
Ref. Part

No: No: Description:

Expanded Model and Color Nomenclature

M1 - GUCA045AX30	P1227501F
M2 - GUCA070AX30	P1227502F
M3 - GUCA070AX40	P1227503F
M4 - GUCA090AX40	P1227504F
M5 - GUCA090AX50	P1227505F
M6 - GUCA115AX50	P1227506F
M7 - GUCA045AX30	P1228901F
M8 - GUCA070AX30	P1228902F
M9 - GUCA070AX40	P1228903F
M10 - GUCA090AX40	P1228904F
M11 - GUCA090AX50	P1228905F
M12 - GUCA115AX50	P1228906F

Cabinet Assembly



Cabinet Assembly

Ref Part No:	Description:	Ref. Part No:	Description:																								
<i>Image 1:</i>		0901 20242801	RAIL-FILTER (M7, M8, M9, M10, M11, M12) (QTY 2)																								
0011 20249808	BASEPAN-UF PNT (M1, M2, M7, M8)	9971 20179305	GASKET (M1, M2, M7, M8)																								
0011 20249810	BASEPAN-UF PNT (M3, M4, M9, M10)	9971 20179306	GASKET (M3, M4, M9, M10)																								
0011 20249812	BASEPAN-UF PNT (M5, M6, M11, M12)	9971 20179307	GASKET (M5, M6, M11, M12)																								
0031 20190310	DECK-BLOWER UF (M1, M2, M7, M8)	9981 20192701	INSULATION (M1, M2, M7, M8)																								
0031 20190311	DECK-BLOWER UF (M3, M4, M9, M10)	9981 20192702	INSULATION (M3, M4, M9, M10)																								
0031 20190312	DECK-BLOWER UF (M5, M6, M11, M12)	9981 20192703	INSULATION (M5, M6, M11, M12)																								
0041 20215701	GASKET-COIL (M1, M2, M7, M8)	9991 20239302	COVER UF-PNT (M1, M2, M7, M8)																								
0041 20215702	GASKET-COIL (M3, M4, M9, M10)	9991 20239304	COVER UF-PNT (M3, M4, M9, M10)																								
0041 20215703	GASKET-COIL (M5, M6, M11, M12)	9991 20239306	COVER UF-PNT (M5, M6, M11, M12)																								
0081 20239202	BACK PANEL-PNT (M1, M2, M7, M8)	Expanded Model and Color Nomenclature <table border="1"> <tbody> <tr><td>M1 - GUCA045AX30</td><td>P1227501F</td></tr> <tr><td>M2 - GUCA070AX30</td><td>P1227502F</td></tr> <tr><td>M3 - GUCA070AX40</td><td>P1227503F</td></tr> <tr><td>M4 - GUCA090AX40</td><td>P1227504F</td></tr> <tr><td>M5 - GUCA090AX50</td><td>P1227505F</td></tr> <tr><td>M6 - GUCA115AX50</td><td>P1227506F</td></tr> <tr><td>M7 - GUCA045AX30</td><td>P1228901F</td></tr> <tr><td>M8 - GUCA070AX30</td><td>P1228902F</td></tr> <tr><td>M9 - GUCA070AX40</td><td>P1228903F</td></tr> <tr><td>M10 - GUCA090AX40</td><td>P1228904F</td></tr> <tr><td>M11 - GUCA090AX50</td><td>P1228905F</td></tr> <tr><td>M12 - GUCA115AX50</td><td>P1228906F</td></tr> </tbody> </table>		M1 - GUCA045AX30	P1227501F	M2 - GUCA070AX30	P1227502F	M3 - GUCA070AX40	P1227503F	M4 - GUCA090AX40	P1227504F	M5 - GUCA090AX50	P1227505F	M6 - GUCA115AX50	P1227506F	M7 - GUCA045AX30	P1228901F	M8 - GUCA070AX30	P1228902F	M9 - GUCA070AX40	P1228903F	M10 - GUCA090AX40	P1228904F	M11 - GUCA090AX50	P1228905F	M12 - GUCA115AX50	P1228906F
M1 - GUCA045AX30	P1227501F																										
M2 - GUCA070AX30	P1227502F																										
M3 - GUCA070AX40	P1227503F																										
M4 - GUCA090AX40	P1227504F																										
M5 - GUCA090AX50	P1227505F																										
M6 - GUCA115AX50	P1227506F																										
M7 - GUCA045AX30	P1228901F																										
M8 - GUCA070AX30	P1228902F																										
M9 - GUCA070AX40	P1228903F																										
M10 - GUCA090AX40	P1228904F																										
M11 - GUCA090AX50	P1228905F																										
M12 - GUCA115AX50	P1228906F																										
0081 20239204	BACK PANEL-PNT (M3, M4, M9, M10)																										
0081 20239206	BACK PANEL-PNT (M5, M6, M11, M12)																										
0091 C6415907	INSUL-HT EX (M1, M2, M7, M8)																										
0091 C6415908	INSUL-HT EX (M3, M4, M9, M10)																										
0091 C6415909	INSUL-HT EX (M5, M6, M11, M12)																										
0101 20191301	RAIL-DECK (M1, M2, M7, M8)																										
0101 20191302	RAIL-DECK (M3, M4, M9, M10)																										
0101 20191303	RAIL-DECK (M5, M6, M11, M12)																										
0121 20191601	RAIL-SIDE (QTY 2)																										
0141 20240402	L SIDE PANEL-PNT (M1, M2, M3, M4, M5, M6)																										
0141 20249002	L SIDE PANEL-PNT (M7, M8, M9, M10, M11, M12)																										
0151 20240302	R SIDE PANEL-PNT (M1, M2, M3, M4, M5, M6)																										
0151 20248902	R SIDE PANEL-PNT (M7, M8, M9, M10, M11, M12)																										
0161 20006601	INSULATION (M1, M2, M7, M8)																										
0161 20006602	INSULATION (M3, M4, M9, M10)																										
0161 20006603	INSULATION (M5, M6, M11, M12)																										
0171 20006604	INSULATION-SIDE (M1, M2, M3, M4, M5, M6) (QTY 2)																										
0171 20243501	INSULATION-SIDE (M7, M8, M9, M10, M11, M12) (QTY 2)																										
0231 20190503	PIPE-FLUE UF																										
0241 20171801	ELBOW																										
0271 20190601	BLOWER-I.D.																										
0281 20049701	COUPLING-FA (QTY 2)																										
0311 10736102	BOX-HIGH VOLTAGE																										
0421 A4554801	BUSHING-SNAP																										
0521 M0218154	SCREW-SM (QTY AR)																										
0531 M0270544	WASHER-FLAT (QTY AR)																										
0541 M0216716	SCREW-SM (QTY AR)																										
0551 M0219916	SCREW-SM (QTY AR)																										
0561 M0219918	SCREW-SM (QTY AR)																										
0611 A3326008	CLAMP-HOSE (QTY AR)																										
0711 M0216714	SCREW-SM (QTY AR)																										
0721 M0218153	SCREW-SM (QTY AR)																										
0741 M0571002	BUSHING-SNAP (QTY AR)																										
0771 M0270001	WASHER-CUP																										
0781 M0227803	SCREW-TC																										
0791 20194604	GASKET (QTY 2)																										
0811 20194601	GASKET (M1, M2, M7, M8)																										
0811 20194602	GASKET (M3, M4, M9, M10)																										
0811 20194603	GASKET (M5, M6, M11, M12)																										
0831 20175101	RAIL-BLWR SIDE (M1, M2, M3, M4, M5, M6) (QTY 2)																										
0891 10690301	ANGLE-FILTER (M7, M8, M9, M10, M11, M12) (QTY 2)																										

Heat Exchanger/Manifold Assembly

Image 1

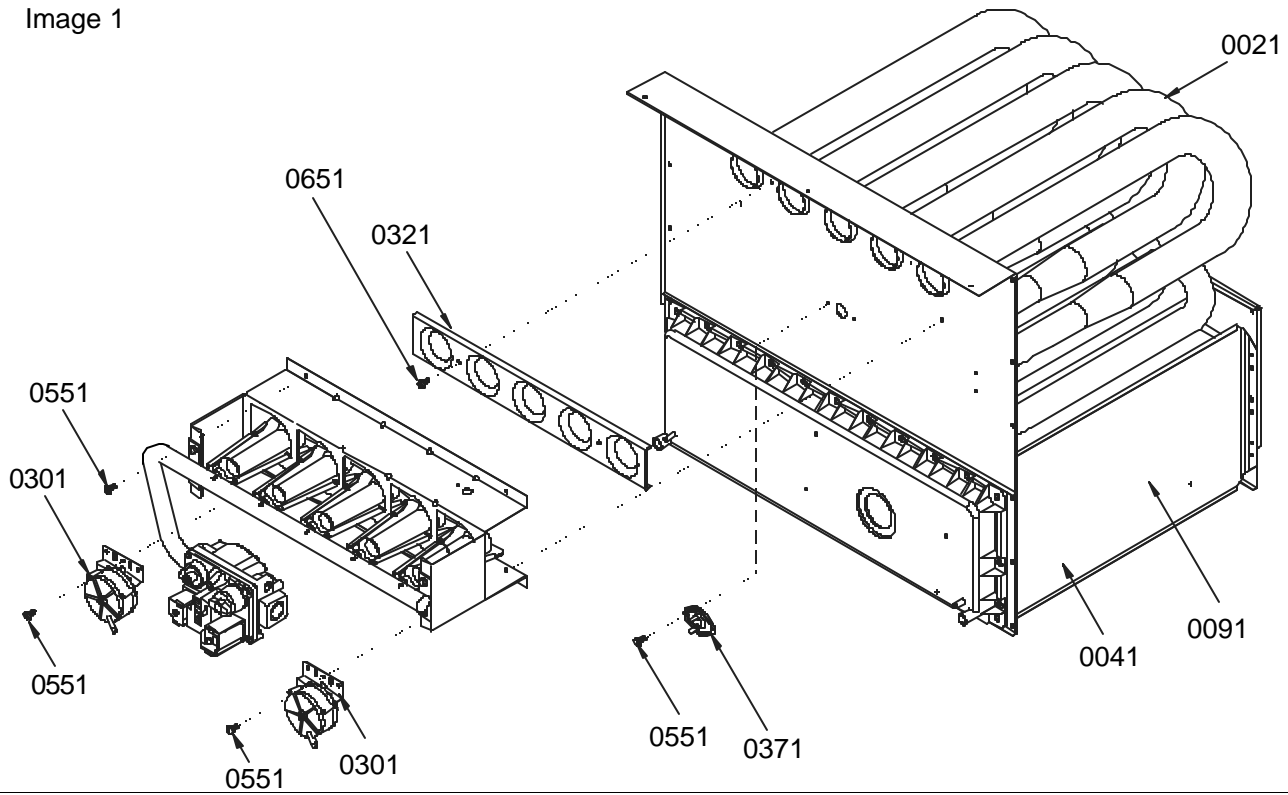
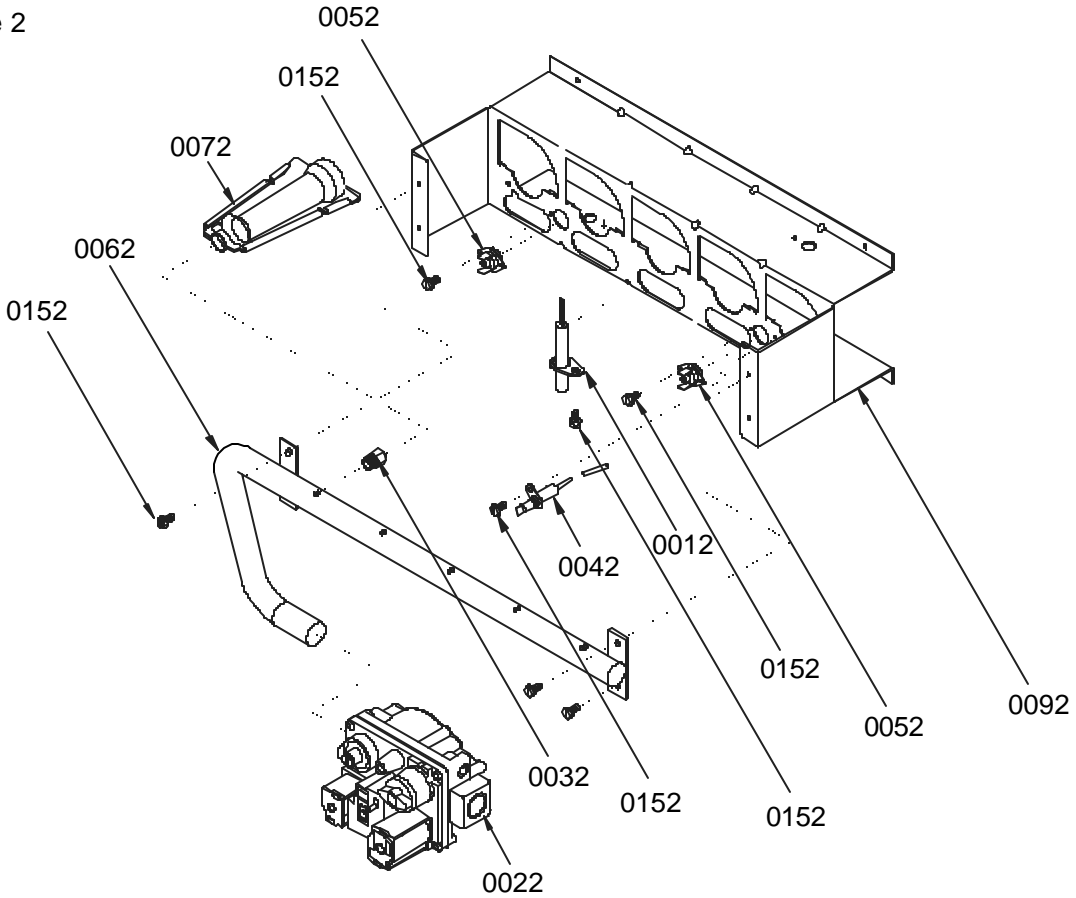


Image 2



Heat Exchanger/Manifold Assembly

Ref. Part No:	Description:	Ref. Part No:	Description:
---------------	--------------	---------------	--------------

Image 1:

0021 20190101	TUBE ASSY-FURNACE (QTY AR)
0041 M0219916	SCREW-SM (QTY AR)
0091 20190701	SHIELD-COIL (QTY 2)
0301 20197305	SWITCH-PRESSURE (QTY 2)
0321 11072201	SHIELD-ORIFICE (M1, M7)
0321 11072202	SHIELD-ORIFICE (M2, M3, M8, M9)
0321 11072203	SHIELD-ORIFICE (M4, M5, M10, M11)
0321 11072204	SHIELD-ORIFICE (M6, M12)
0371 20162903	LIMIT (M3, M9)
0371 20162904	LIMIT (M1, M2, M4, M5, M6, M7, M8, M10, M11, M12)
0551 M0219916	SCREW-SM (QTY AR)
0651 M0211020	SCREW-SM (QTY AR)
NS 20193001	BAFFLE-AIR (M1, M3, M5, M7, M9, M11)
NS 20167201	COVER-REAR (M1, M2, M7, M8)
NS 20167202	COVER-REAR (M3, M4, M9, M10)
NS 20167203	COVER-REAR (M5, M6, M11, M12)
NS M0211345	SCREW-SM (QTY AR)

Image 2:

0012 20165702	IGNITOR
0022 C6476907	VALVE-GAS
0032 10716003	ORIFICE (QTY AR)
0042 10735201	FLAME-SENSOR
0052 10123517	LIMIT-RESET MAN (M3, M9) (QTY 2)
0052 10123533	LIMIT-RESET MAN (M1, M2, M4, M7, M8, M10) (QTY AR)
0052 10123534	LIMIT-RESET MAN (M5, M6, M11, M12) (QTY 2)
0062 20196401	MANIFOLD (M1, M7)
0062 20196402	MANIFOLD (M2, M3, M8, M9)
0062 20196403	MANIFOLD (M4, M5, M10, M11)
0062 20196404	MANIFOLD (M6, M12)
0072 10735102	BECKETT BURNER (QTY AR)
0092 20190401	BRKT-BURNER (M1, M7)
0092 20190402	BRKT-BURNER (M2, M3, M8, M9)
0092 20190403	BRKT-BURNER (M4, M5, M10, M11)
0092 20190404	BRKT-BURNER (M6, M12)
0152 M0219916	SCREW-SM (QTY AR)

Expanded Model and Color Nomenclature

M1 - GUCA045AX30	P1227501F
M2 - GUCA070AX30	P1227502F
M3 - GUCA070AX40	P1227503F
M4 - GUCA090AX40	P1227504F
M5 - GUCA090AX50	P1227505F
M6 - GUCA115AX50	P1227506F
M7 - GUCA045AX30	P1228901F
M8 - GUCA070AX30	P1228902F
M9 - GUCA070AX40	P1228903F
M10 - GUCA090AX40	P1228904F
M11 - GUCA090AX50	P1228905F
M12 - GUCA115AX50	P1228906F

Recupe Coil Assembly

Image 1

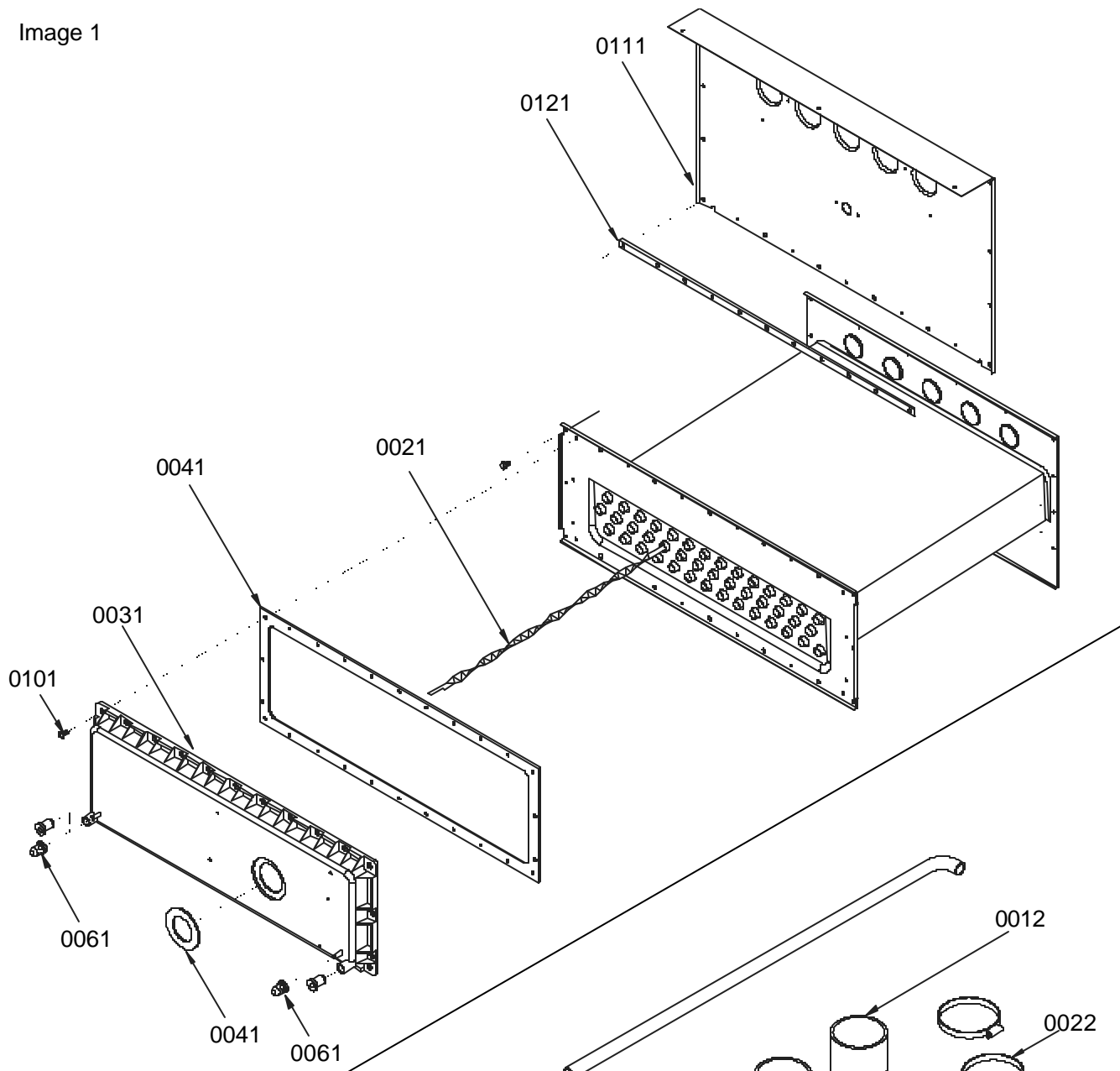
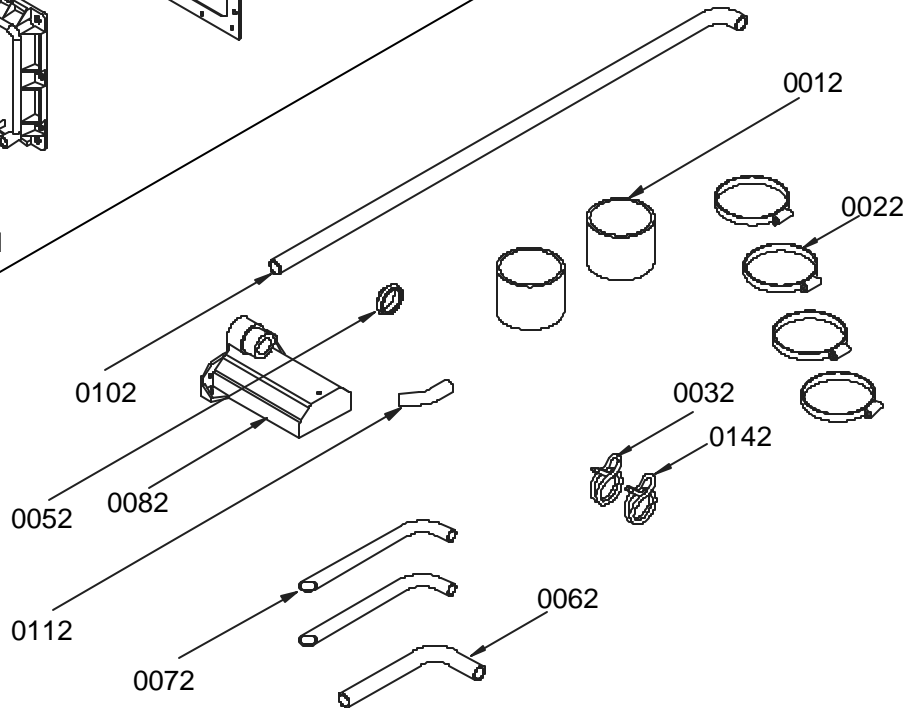


Image 2



Recupe Coil Assembly

Ref Part No:	Description:	Ref. Part No:	Description:
--------------	--------------	---------------	--------------

Image 1:

0021 11086005	TURBULATOR (QTY AR)
0031 20170801	COVER-FRONT (M1, M7)
0031 20170802	COVER-FRONT (M2, M8)
0031 20170901	COVER-FRONT (M3, M9)
0031 20170902	COVER-FRONT (M4, M10)
0031 20171001	COVER-FRONT (M5, M11)
0031 20171002	COVER-FRONT (M6, M12)
0041 20215701	GASKET-COIL (M1, M2, M7, M8)
0041 20215702	GASKET-COIL (M3, M4, M9, M10)
0041 20215703	GASKET-COIL (M5, M6, M11, M12)
0061 M0326804	PLUG-TUBE (QTY AR)
0101 M0211031	SCREW-SM (QTY AR)
0111 20191401	PANEL-PART 2B (M1, M7)
0111 20191402	PANEL-PART 3B (M2, M8)
0111 20191403	PANEL-PART 3B (M3, M9)
0111 20191404	PANEL-PART 4B (M4, M10)
0111 20191405	PANEL-PART 4B (M5, M11)
0111 20191406	PANEL-PART 5B (M6, M12)
0121 20194601	GASKET (M1, M2, M7, M8)
0121 20194602	GASKET (M3, M4, M9, M10)
0121 20194603	GASKET (M5, M6, M11, M12)

Image 2:

0012 10254303	COUPLING-RUBBER
0022 A3326008	CLAMP-HOSE (QTY AR)
0032 M0119207	CLAMP-HOSE (QTY AR)
0052 M0570804	PLUG-BUTTON
0062 20201901	HOSE-DRAIN
0072 20201801	TUBE-DRAIN (QTY AR)
0082 20171701	DRAIN TRAP
0102 20201902	HOSE-DRAIN
0112 20214201	DRAIN-ANGLE
0142 M0119205	CLAMP-HOSE (QTY AR)

Expanded Model and Color Nomenclature

M1 - GUCA045AX30	P1227501F
M2 - GUCA070AX30	P1227502F
M3 - GUCA070AX40	P1227503F
M4 - GUCA090AX40	P1227504F
M5 - GUCA090AX50	P1227505F
M6 - GUCA115AX50	P1227506F
M7 - GUCA045AX30	P1228901F
M8 - GUCA070AX30	P1228902F
M9 - GUCA070AX40	P1228903F
M10 - GUCA090AX40	P1228904F
M11 - GUCA090AX50	P1228905F
M12 - GUCA115AX50	P1228906F