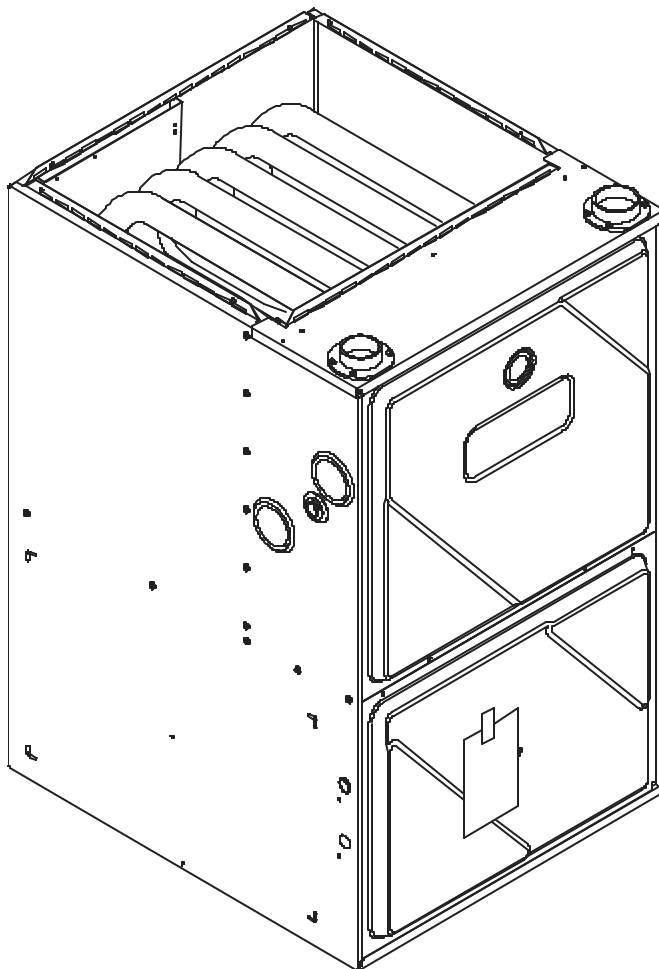


Models and manufacturing
numbers in this manual

GUCA045AX30	P1228801F
GUCA070AX30	P1228802F
GUCA070AX40	P1228803F
GUCA090AX40	P1228804F
GUCA090AX50	P1228805F
GUCA115AX50	P1228806F

Parts

GUCA Gas Furnace



This manual is to be used by qualified appliance technicians only. Amana does not assume any responsibility for property damage or personal injury for improper service procedures done by an unqualified person.

Amana

RP6610020
Revision 0
April 2000

Important Information

Amana is not responsible for personal injury or property damage resulting from improper service. Review all service information before beginning repairs.

Warranty service must be performed by an authorized technician, using authorized factory parts. If service is required after the warranty expires, Amana also recommends contacting an authorized technician and using authorized factory parts. Locate an authorized technician by calling 800-NATLSVC (800-628-5782).

For assistance within the U.S.A. contact:

Consumer Affairs Department
Amana
2800 220th Trail
Amana IA 52204-0001
319-622-5511--Telephone
319-622-2977--Facsimile

For assistance outside the U.S.A. contact:

International Division
Amana
2800 220th Trail
Amana IA 52204-0001
USA
319-622-5511--Telephone
319-622-8595--Facsimile

Index

Functional Parts List	4 - 5
Illustration and Parts	6 - 15

Views shown are for parts illustrations only, not servicing procedures.

Text Codes:

AR - As Required

NA - Not Available

NS - Not Shown

00000000 - See Note

QTY - Quantity Example (QTY 3) (If Quantity not shown, Quantity = 1)

M - Model Example (M1) (If M Code not shown, then part is used on all Models)

Expanded Model and Color Nomenclature:

Example	
M1 - Model#1	P _____
M2 - Model#2	P _____
M3 - Model#3	P _____

Functional Parts

Part

No: **Description:**

10735102	BECKETT BURNER (QTY AR)
20190601	BLOWER-I.D.
D6879748	CAPACITOR (M1, M5)
D6879746	CAPACITOR (M2, M3, M4)
D6879740	CAPACITOR (M6)
10207709	CONTROL-INTEG
10735201	FLAME-SENSOR
20200909	HARNESS-WIRING (CIRCULATOR BLOWER)
20200905	HARNESS-WIRING (MAIN)
20165702	IGNITOR
20162903	LIMIT (PRIMARY) (M3)
20162904	LIMIT (PRIMARY) (M1, M2, M4, M5, M6)
10123525	LIMIT-RESET MAN (AUXILLIARY) (M6)
10123535	LIMIT-RESET MAN (AUXILLIARY) (M1, M2, M3, M4, M5)
10123534	LIMIT-RESET MAN (ROLLOUT) (M5, M6)
10123517	LIMIT-RESET MAN (ROLLOUT) (M3) (QTY AR)
10123533	LIMIT-RESET MAN (ROLLOUT) (M1, M2, M4) (QTY AR)
10759309	MOTOR BLOWER 1/2 HP (M3, M4)
10759311	MOTOR-BLOW 1/2 HP (M6)
10759415	MOTOR-BLOW 3/4 HP (M5)
10759310	MOTOR-BLOWER 1/2 HP (M2)
10759211	MOTOR-BLOWER 1/3 hp (M1)
10716003	ORIFICE (QTY AR)
10690401	SWITCH-INTERLOCK
20197305	SWITCH-PRESSURE (QTY 2)
C6349703	TRANSFORMER
C6476907	VALVE-GAS

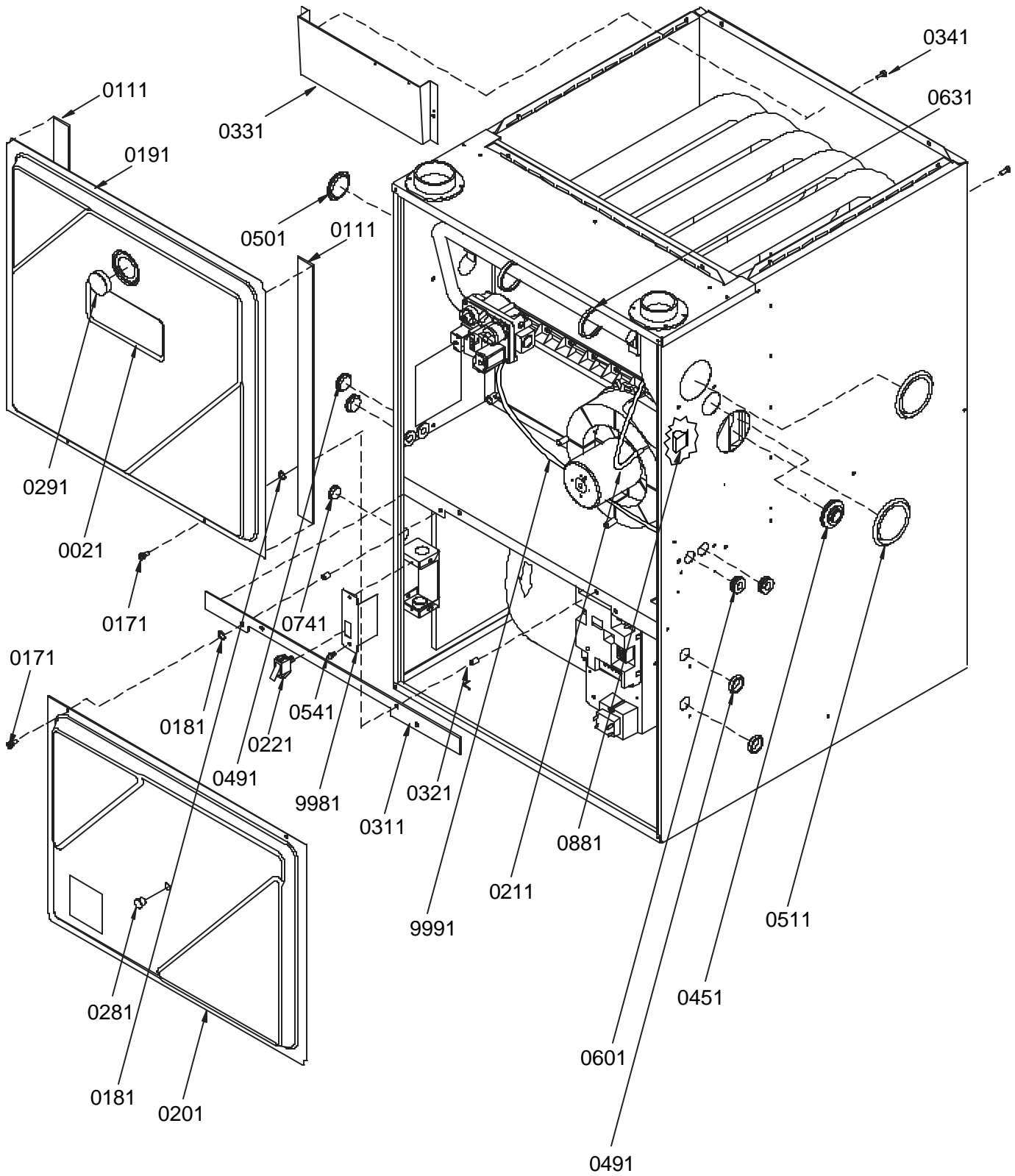
SPECIAL PARTS

20201902	HOSE-DRAIN
11067349	INSTR-HI ALT FR
11067385	INSTR-INSTALL FR
11067348	INSTR-LP
10318729	INSTRUCT-INSTALL
RP6610020	MANUAL-PARTS
10318819	MANUAL-USERS
11067386	MANUAL-USERS FR
10261302	SCREEN-VENT
10261301	SCREEN-VENT
11067383	SPEC SHEET FR
11134632	SPEC-SHEET
10195511	STNDPIPE BAG ASSY

Expanded Model and Color Nomenclature

M1 - GUCA045AX30	P1228801F
M2 - GUCA070AX30	P1228802F
M3 - GUCA070AX40	P1228803F
M4 - GUCA090AX40	P1228804F
M5 - GUCA090AX50	P1228805F
M6 - GUCA115AX50	P1228806F

Cabinet Assembly and Blower Mounting



Cabinet Assembly and Blower Mounting

Ref Part No:	Description:	Ref. Part No:	Description:
--------------	--------------	---------------	--------------

Image 1:

0021	20213211	NAMEPLATE-AMANA
0111	20179308	GASKET (QTY 2)
0171	M0209717	SCREW-DECORATIVE (QTY AR)
0181	M0273904	RETAINER-SCREW (QTY AR)
0191	20273101	DOOR-ACCESS (M1, M2)
0191	20273102	DOOR-ACCESS (M3, M4)
0191	20273103	DOOR-ACCESS (M5, M6)
0201	20273001	DOOR-BLOWER (M1, M2)
0201	20273002	DOOR-BLOWER (M3, M4)
0201	20273003	DOOR-BLOWER (M5, M6)
0211	B1410312	HOSE-PRESSURE SW
0221	10690401	SWITCH-INTERLOCK
0281	11104001	SNAP-BUSHING CLR
0291	11104002	SNAP-BUSHING CLR
0311	20214101	GASKET-DECK (M1, M2)
0311	20214102	GASKET-DECK (M3, M4)
0311	20214103	GASKET-DECK (M5, M6)
0321	M0294801	INSERT-KNURLED (QTY AR)
0331	11165107	SHIELD ID BLOWER
0341	M0219918	SCREW-SM (QTY AR)
0451	M0501301	GROMMET-PIPE
0491	M0570804	PLUG-BUTTON (QTY AR)
0501	M0570802	PLUG-BUTTON
0511	M0570803	PLUG-BUTTON (QTY AR)
0541	M0216716	SCREW-SM (QTY AR)
0601	A4691701	GROMMET (QTY AR)
0631	M0321202	TIE-ELEC LG (QTY AR)
0741	M0571002	BUSHING-SNAP (QTY AR)
0881	M0104102	CLIP-CORD
9981	10736202	COVER-HV BOX
9991	B1410316	HOSE PRESSURE SW (M3, M4)
9991	B1410304	HOSE-PRESSURE SW (M1, M2)
9991	B1410305	HOSE-PRESSURE SW (M5, M6)

Expanded Model and Color Nomenclature

M1 - GUCA045AX30	P1228801F
M2 - GUCA070AX30	P1228802F
M3 - GUCA070AX40	P1228803F
M4 - GUCA090AX40	P1228804F
M5 - GUCA090AX50	P1228805F
M6 - GUCA115AX50	P1228806F

Blower Assembly

Image 1

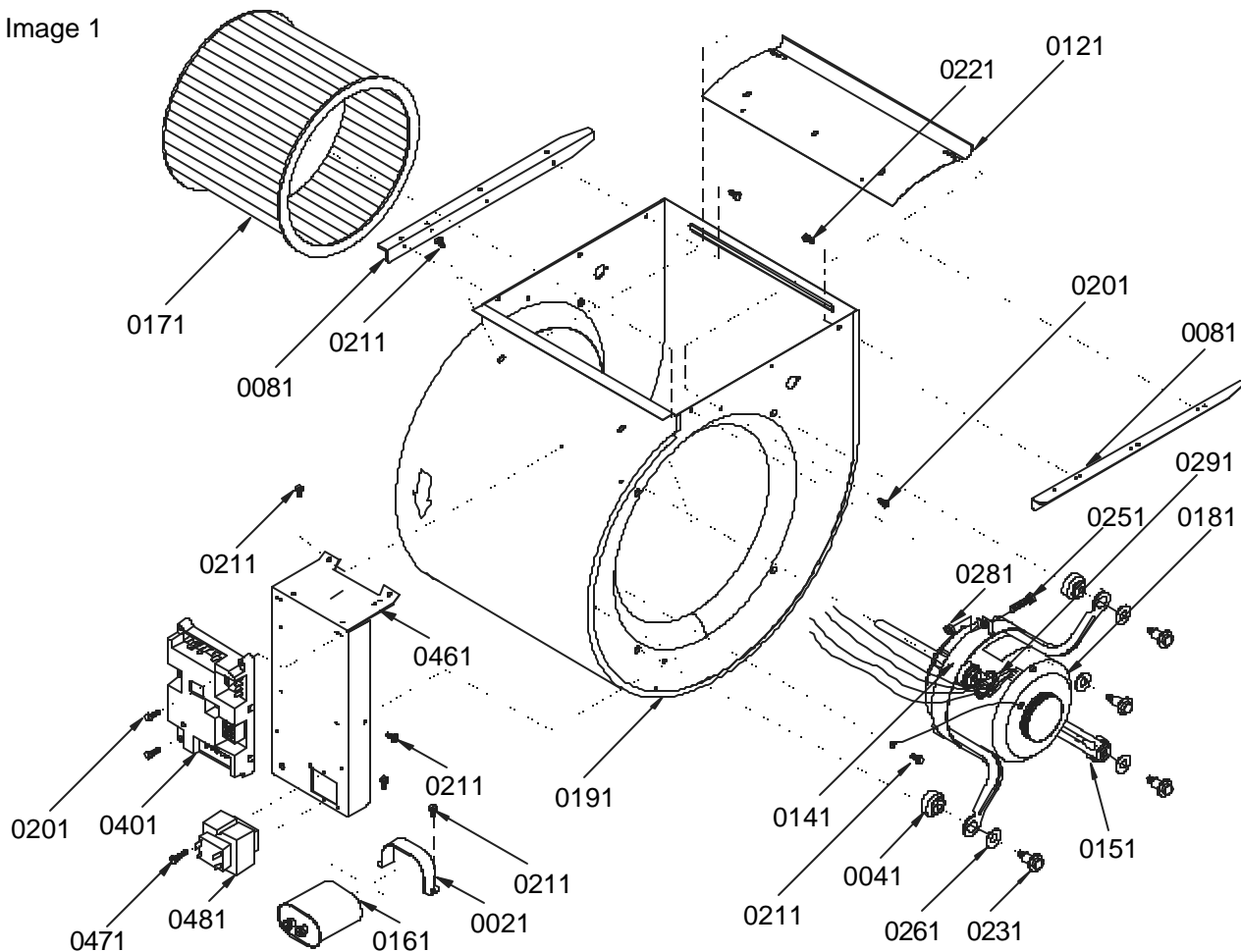
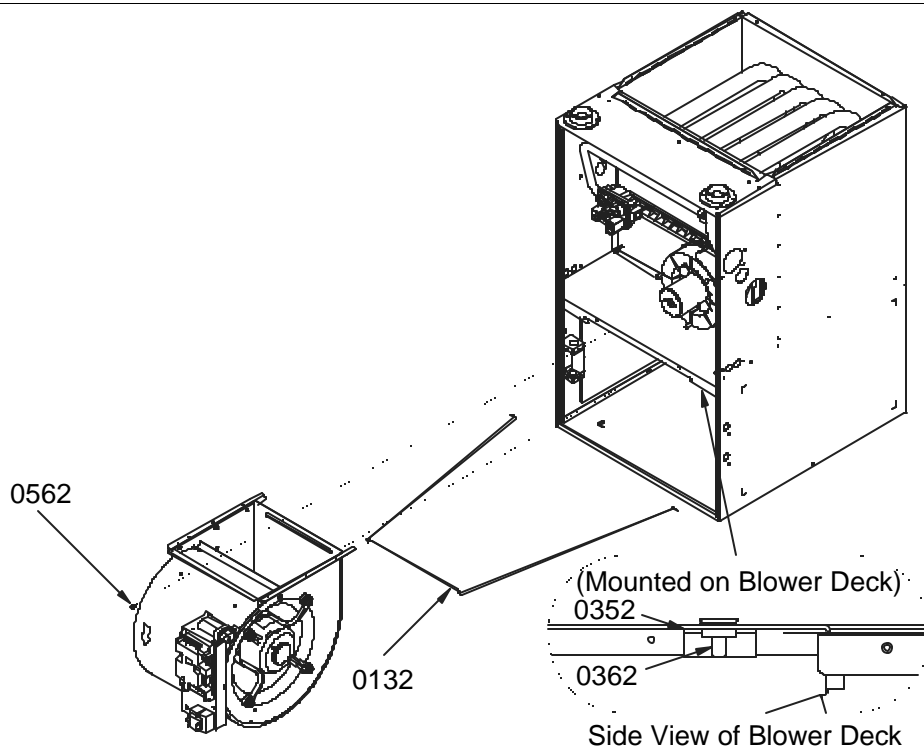


Image 2



Blower Assembly

Ref Part No:	Description:	Ref. Part No:	Description:
--------------	--------------	---------------	--------------

Image 1:

0021 A3410501	STRAP-CAPACITOR (M2, M3, M4, M6)
0021 A4055402	STRAP-CAPACITOR (M1, M5)
0041 A4002701	GROMMET (QTY AR)
0081 20175101	RAIL-BLWR SIDE (QTY 2)
0121 C6121803	CUTOFF (M1, M2)
0121 C6121806	CUTOFF (M3, M4)
0121 C6121811	CUTOFF (M5, M6)
0141 10441601	BAND-MTR MOUNT
0151 10441501	ARM-MTR MOUNT (QTY 4)
0161 D6879740	CAPACITOR (M6)
0161 D6879746	CAPACITOR (M2, M3, M4)
0161 D6879748	CAPACITOR (M1, M5)
0171 D6723311	WHEEL-BLOWER (M6)
0171 D6723319	WHEEL-BLOWER (M2)
0171 D6723320	WHEEL-BLOWER (M3, M4, M5)
0171 D6723321	WHEEL-BLOWER (M1)
0181 10759309	MOTOR BLOWER 1/2 HP (M3, M4)
0181 10759311	MOTOR-BLOW 1/2 HP (M6)
0181 10759415	MOTOR-BLOW 3/4 HP (M5)
0181 10759310	MOTOR-BLOWER 1/2 HP (M2)
0181 10759211	MOTOR-BLOWER 1/3 hp (M1)
0191 11185807	HOUSING WELD 11X10 (M5, M6)
0191 11185805	HOUSING WELD 11X7 (M1, M2)
0191 11185806	HOUSING WELD 11X9 (M3, M4)
0201 M0211020	SCREW-SM #8-7/8 (QTY AR)
0211 M0219916	SCREW-SM (QTY AR)
0221 M0253516	SCREW-TR (QTY AR)
0231 M0221461	SCREW-TC (QTY AR)
0251 M0267144	SCREW-MACH
0261 M0274008	WASHER-FLAT (QTY AR)
0281 M0282015	NUT-KEPS
0291 M0321202	TIE-ELEC LG
0401 10207709	CONTROL-INTEG
0461 10746205	BRKT-CONTROL
0471 M0216536	SCREW-SM (QTY AR)
0481 C6349703	TRANSFORMER

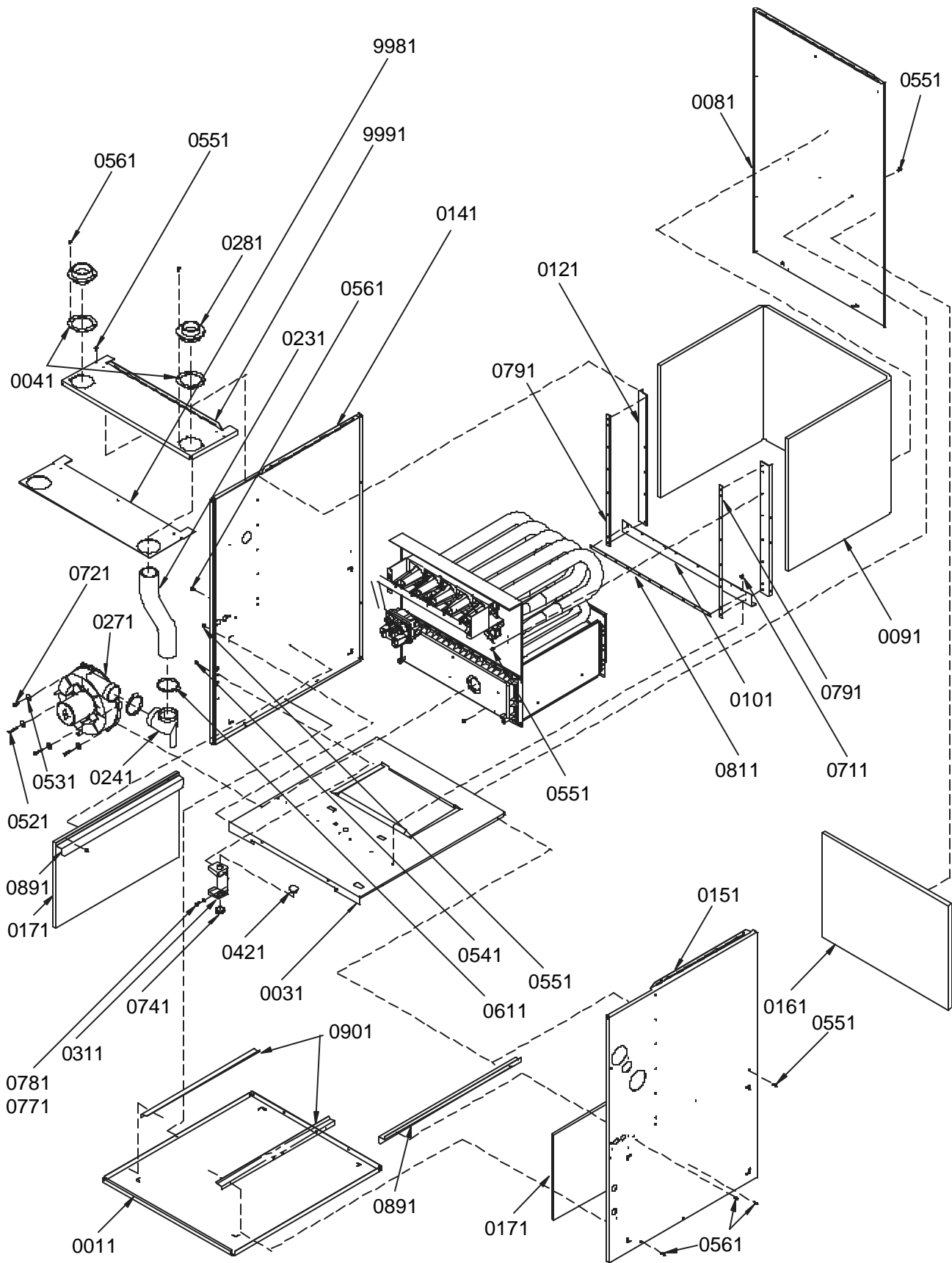
Image 2:

0132 20178501	RETAINER-FILTER
0352 10861101	BRKT-AUX LIMIT
0362 10123525	LIMIT-RESET MAN (AUXILLIARY) (M6)
0362 10123535	LIMIT-RESET MAN (AUXILLIARY) (M1, M2, M3, M4, M5)
0562 M0219918	SCREW-SM (QTY AR)

Expanded Model and Color Nomenclature

M1 - GUCA045AX30	P1228801F
M2 - GUCA070AX30	P1228802F
M3 - GUCA070AX40	P1228803F
M4 - GUCA090AX40	P1228804F
M5 - GUCA090AX50	P1228805F
M6 - GUCA115AX50	P1228806F

Cabinet Assembly



Cabinet Assembly

Ref Part No:	Description:	Ref. Part No:	Description:
--------------	--------------	---------------	--------------

Image 1:

0011	20273401	BASEPAN-UPFLOW (M1, M2)
0011	20273402	BASEPAN-UPFLOW (M3, M4)
0011	20273403	BASEPAN-UPFLOW (M5, M6)
0031	20190310	DECK-BLOWER UF (M1, M2)
0031	20190311	DECK-BLOWER UF (M3, M4)
0031	20190312	DECK-BLOWER UF (M5, M6)
0041	20179305	GASKET (M1, M2)
0041	20179306	GASKET (M3, M4)
0041	20179307	GASKET (M5, M6)
0081	20273201	PANEL-BACK (M1, M2)
0081	20273202	PANEL-BACK (M3, M4)
0081	20273203	PANEL-BACK (M5, M6)
0091	C6415907	INSUL-HT EX (M1, M2)
0091	C6415908	INSUL-HT EX (M3, M4)
0091	C6415909	INSUL-HT EX (M5, M6)
0101	20191301	RAIL-DECK (M1, M2)
0101	20191302	RAIL-DECK (M3, M4)
0101	20191303	RAIL-DECK (M5, M6)
0121	20191601	RAIL-SIDE (QTY 2)
0141	20274001	PANEL-SIDE LH UF
0151	20274101	PANEL-SIDE RH UF
0161	20006601	INSULATION (M1, M2)
0161	20006602	INSULATION (M3, M4)
0161	20006603	INSULATION (M5, M6)
0171	20243501	INSULATION-SIDE (QTY 2)
0231	20190503	PIPE-FLUE UF
0241	20171801	ELBOW
0271	20190601	BLOWER-I.D.
0281	20049701	COUPLING-FA (QTY 2)
0311	10736102	BOX-HIGH VOLTAGE
0421	A4554801	BUSHING-SNAP
0521	M0218154	SCREW-SM (QTY AR)
0531	M0270544	WASHER-FLAT (QTY AR)
0541	M0216716	SCREW-SM (QTY AR)
0551	M0219916	SCREW-SM (QTY AR)
0561	M0219918	SCREW-SM (QTY AR)
0611	A3326008	CLAMP-HOSE (QTY AR)
0711	M0216714	SCREW-SM (QTY AR)
0721	M0218153	SCREW-SM (QTY AR)
0741	M0571002	BUSHING-SNAP (QTY AR)
0771	M0270001	WASHER-CUP
0781	M0227803	SCREW-TC
0791	20194604	GASKET (QTY 2)
0811	20194601	GASKET (M1, M2)
0811	20194602	GASKET (M3, M4)
0811	20194603	GASKET (M5, M6)
0891	10690301	ANGLE-FILTER (QTY 2)
0901	20242801	RAIL-FILTER (QTY 2)
9981	20192701	INSULATION (M1, M2)
9981	20192702	INSULATION (M3, M4)
9981	20192703	INSULATION (M5, M6)
9991	20273301	COVER-FLUE/FA (M1, M2)
9991	20273302	COVER-FLUE/FA (M3, M4)
9991	20273303	COVER-FLUE/FA (M5, M6)

Expanded Model and Color Nomenclature

M1 - GUCA045AX30	P1228801F
M2 - GUCA070AX30	P1228802F
M3 - GUCA070AX40	P1228803F
M4 - GUCA090AX40	P1228804F
M5 - GUCA090AX50	P1228805F
M6 - GUCA115AX50	P1228806F

Heat Exchanger/Manifold Assembly

Image 1

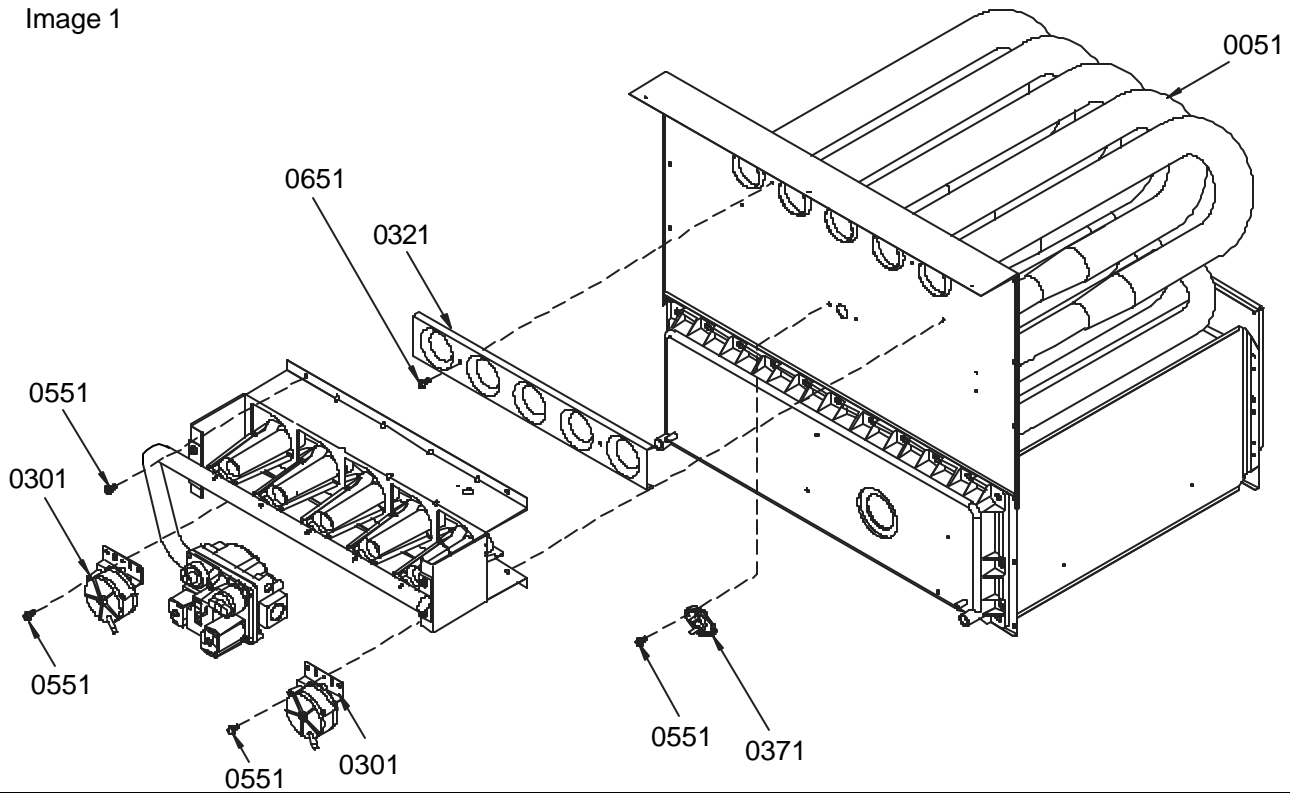
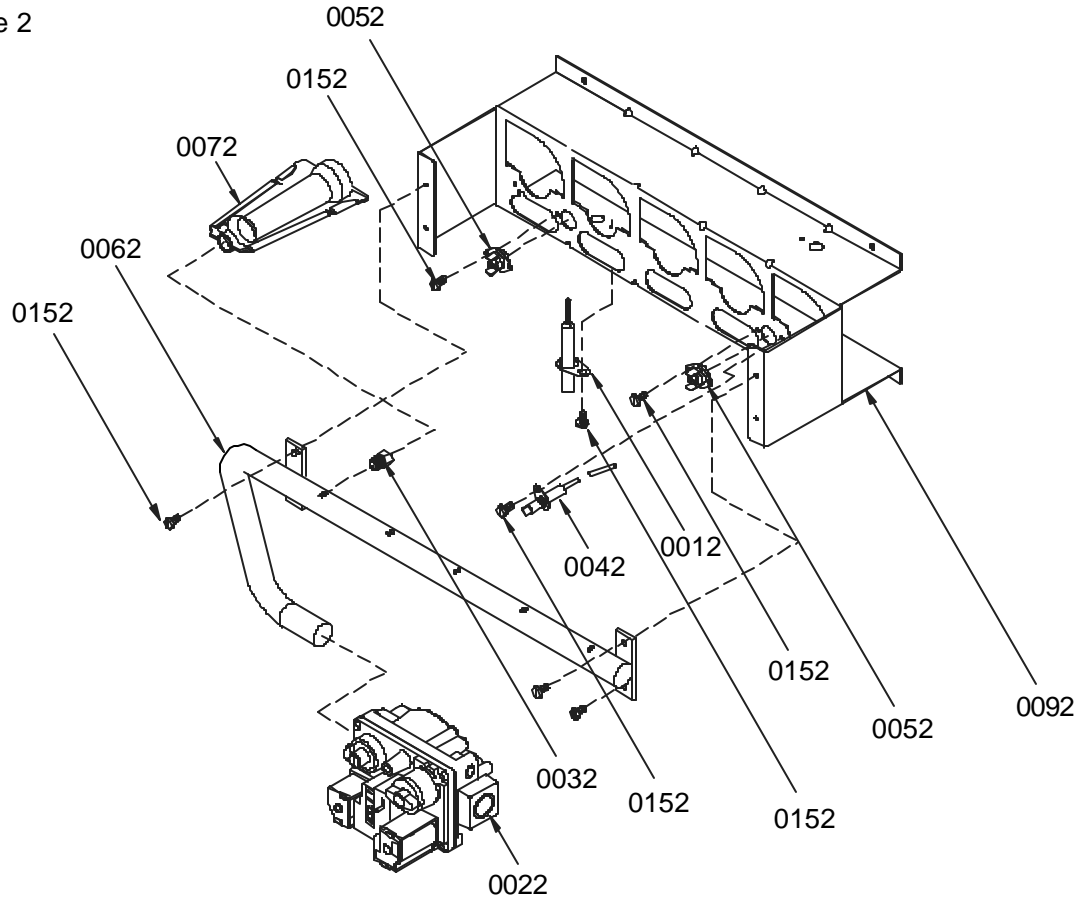


Image 2



Heat Exchanger/Manifold Assembly

Ref Part No:	Description:	Ref. Part No:	Description:
--------------	--------------	---------------	--------------

Image 1:

0051 20194201	HT EX ASSY 2B (M1)
0051 20194202	HT EX ASSY 3B (M2)
0051 20194203	HT EX ASSY 3B (M3)
0051 20194204	HT EX ASSY 4B (M4)
0051 20194205	HT EX ASSY 4B (M5)
0051 20194206	HT EX ASSY 5B (M6)
0301 20197305	SWITCH-PRESSURE (QTY 2)
0321 11072201	SHIELD-ORIFICE (M1)
0321 11072202	SHIELD-ORIFICE (M2, M3)
0321 11072203	SHIELD-ORIFICE (M4, M5)
0321 11072204	SHIELD-ORIFICE (M6)
0371 20162903	LIMIT (PRIMARY) (M3)
0371 20162904	LIMIT (PRIMARY) (M1, M2, M4, M5, M6)
0551 M0219916	SCREW-SM (QTY AR)
0651 M0211020	SCREW-SM #8-7/8 (QTY AR)
NS 20193001	BAFFLE-AIR (M1, M3, M5)
NS M0211345	SCREW-SM (QTY AR)

Image 2:

0012 20165702	IGNITOR
0022 C6476907	VALVE-GAS
0032 10716003	ORIFICE (QTY AR)
0042 10735201	FLAME-SENSOR
0052 10123517	LIMIT-RESET MAN (ROLLOUT) (M3) (QTY AR)
0052 10123533	LIMIT-RESET MAN (ROLLOUT) (M1, M2, M4) (QTY AR)
0052 10123534	LIMIT-RESET MAN (ROLLOUT) (M5, M6)
0062 20196401	MANIFOLD (M1)
0062 20196402	MANIFOLD (M2, M3)
0062 20196403	MANIFOLD (M4, M5)
0062 20196404	MANIFOLD (M6)
0072 10735102	BECKETT BURNER (QTY AR)
0092 20190401	BRKT-BURNER (M1)
0092 20190402	BRKT-BURNER (M2, M3)
0092 20190403	BRKT-BURNER (M4, M5)
0092 20190404	BRKT-BURNER (M6)
0152 M0219916	SCREW-SM (QTY AR)

Expanded Model and Color Nomenclature

M1 - GUCA045AX30	P1228801F
M2 - GUCA070AX30	P1228802F
M3 - GUCA070AX40	P1228803F
M4 - GUCA090AX40	P1228804F
M5 - GUCA090AX50	P1228805F
M6 - GUCA115AX50	P1228806F

Recupe Coil Assy/Standpipe Bag Assy

Image 1

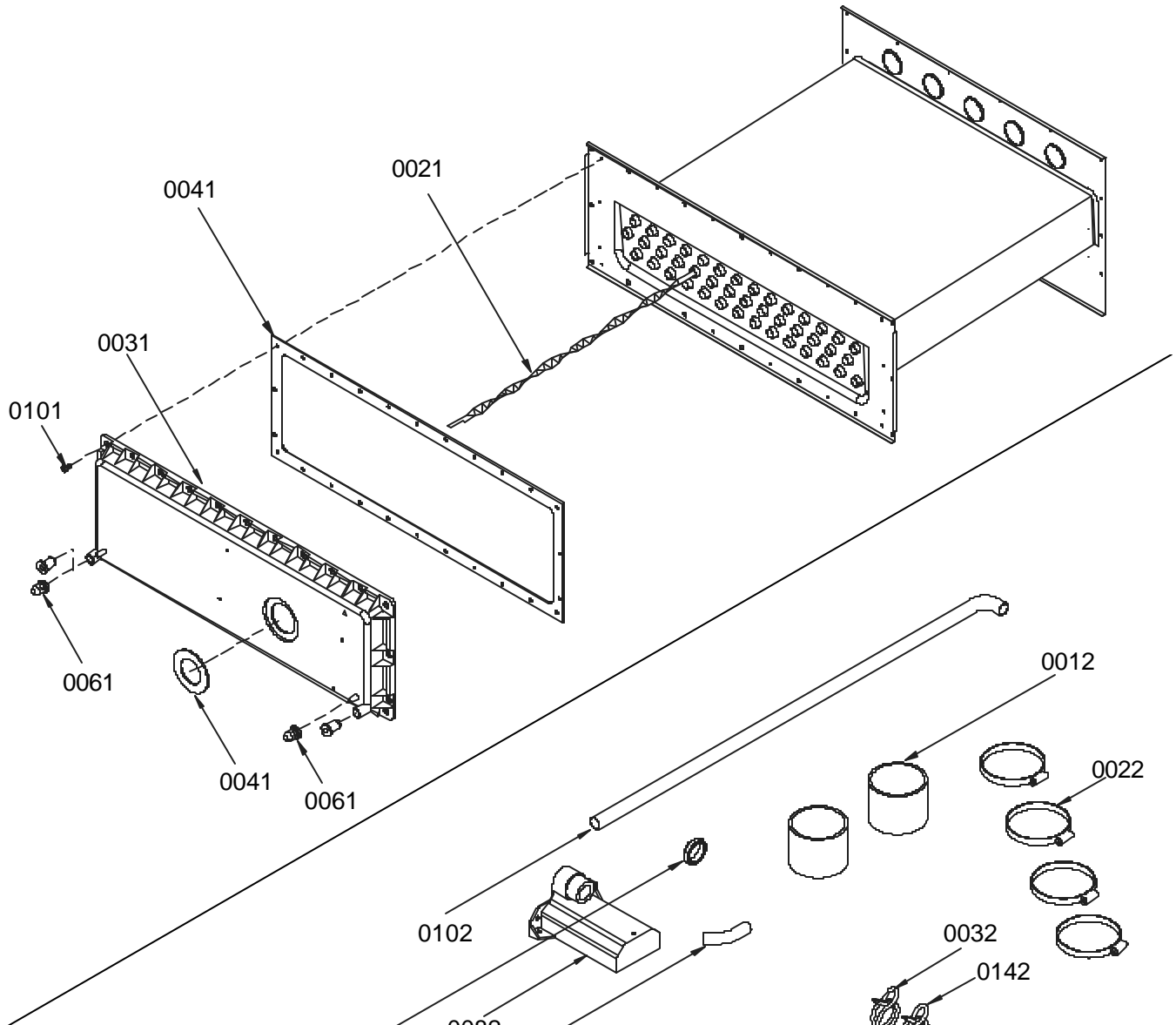
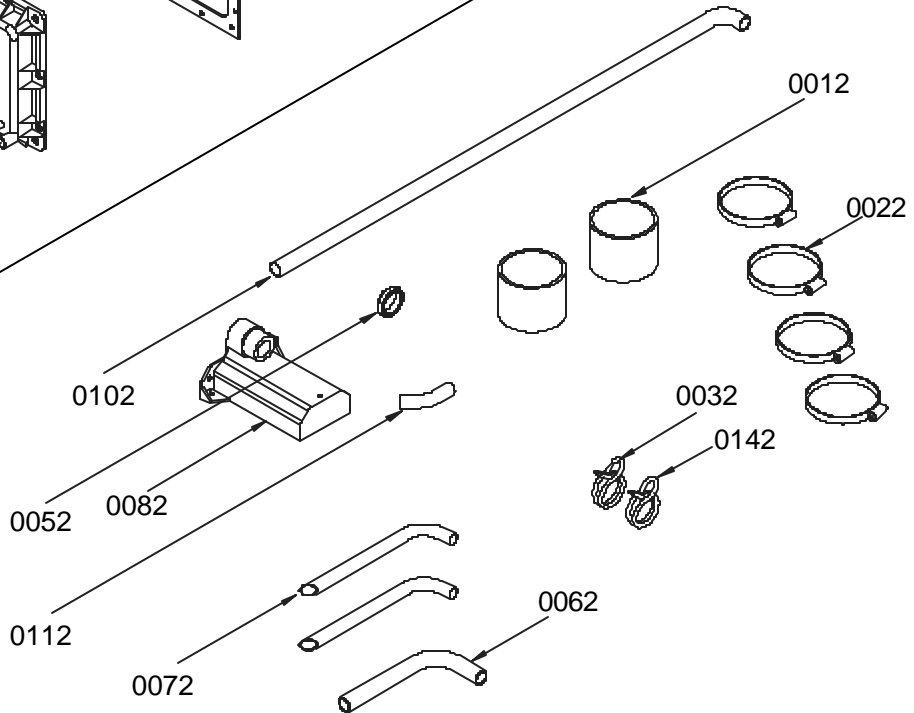


Image 2



Recupe Coil Assy/Standpipe Bag Assy

Ref Part No:	Description:	Ref. Part No: No:	Description:
-----------------	--------------	----------------------	--------------

Image 1:

0021 11086005	TURBULATOR (QTY AR)
0031 20170801	COVER-FRONT (M1)
0031 20170802	COVER-FRONT (M2)
0031 20170901	COVER-FRONT (M3)
0031 20170902	COVER-FRONT (M4)
0031 20171001	COVER-FRONT (M5)
0031 20171002	COVER-FRONT (M6)
0041 20215701	GASKET-COIL (M1, M2)
0041 20215702	GASKET-COIL (M3, M4)
0041 20215703	GASKET-COIL (M5, M6)
0061 M0326804	PLUG-TUBE (QTY AR)
0101 M0211031	SCREW-SM #10-5/8 (QTY AR)

Image 2:

0012 10254303	COUPLING-RUBBER
0022 A3326008	CLAMP-HOSE (QTY AR)
0032 M0119207	CLAMP-HOSE (QTY AR)
0052 M0570804	PLUG-BUTTON
0062 20201901	HOSE-DRAIN
0072 20201801	TUBE-DRAIN (QTY AR)
0082 20171701	DRAIN TRAP
0112 20214201	DRAIN-ANGLE
0142 M0119205	CLAMP-HOSE (QTY AR)

Expanded Model and Color Nomenclature

M1 - GUCA045AX30	P1228801F
M2 - GUCA070AX30	P1228802F
M3 - GUCA070AX40	P1228803F
M4 - GUCA090AX40	P1228804F
M5 - GUCA090AX50	P1228805F
M6 - GUCA115AX50	P1228806F