

Parts

Furnace Accessories Catalog

Models and manufacturing
numbers in this manual

ASB01	P1200202F
CFB16	P1228001F
CFB20	P1228002F
CFB24	P1228003F
DEHUM1	P1227801F
FTK03A	P1171305F
HAC1PS15	P1204227F
HALP09	P1129110F
HALP09	P1129111F
HALP10	P1129112F
HALP11	P1129113F
HALP12	P1129114F
HALP13	P1129115F
HANG07	P1129010F
HANG11	P1210305F
HANG12	P1210306F
HANG14	P1210308F
HANG15	P1210309F
HANG16	P1210310F
HAPS27	P1210518F
HAPS28	P1210519F
HAPS29	P1210520F
HAPS30	P1210521F
HAPS31	P1210522F
HATS01	P1220401F
HATS01	P1220406F
HATS02	P1220402F
HATS02	P1220407F
HATS03	P1220403F
HATS03	P1220408F
HATS04	P1220404F
HATS04	P1220409F
HATS05	P1220405F
HATS05	P1220410F
HATS06	P1220411F
HATS07	P1220412F
HATS08	P1220413F
HATS09	P1220414F
LPLP01	P1237701F
LPTK09	P1200106F
LPTK09	P1200107F
LPTK09	P1200108F
TSRK01	P1232601F

This manual is to be used by qualified appliance technicians only. Amana does not assume any responsibility for property damage or personal injury for improper service procedures performed by an unqualified person.



RP6690004
Revision 0
January 2002

Important Information

Amana is not responsible for personal injury or property damage resulting from improper service. Review all service information before beginning repairs.

Warranty service must be performed by an authorized technician, using authorized factory parts. If service is required after the warranty expires, Amana also recommends contacting an authorized technician and using authorized factory parts.

For assistance within the U.S.A. contact:

Consumer Affairs Department
Amana Heating and Air Conditioning
1810 Wilson Parkway
Fayetteville, TN 37334
877-254-4729-Telephone
931-438-2922-Facsimile

For assistance outside the U.S.A. contact:

International Division
Amana Heating and Air Conditioning
1810 Wilson Parkway
Fayetteville, TN 37334
931-438-3632-Telephone
931-438-2922-Facsimile

Index

Functional Parts List	4 - 5
Illustration and Parts	6 - 29

Views shown are for parts illustrations only, not servicing procedures.

Text Codes:

AR - As Required

NA - Not Available

NS - Not Shown

00000000 - See Note

QTY - Quantity Example (QTY 3) (If Quantity not shown, Quantity = 1)

M - Model Example (M1) (If M Code not shown, then part is used on all Models)

Expanded Model and Color Nomenclature:

Example	
M1 - Model#1	P _____
M2 - Model#2	P _____
M3 - Model#3	P _____

Functional Parts

Part

No: **Description:**

SPECIAL PARTS

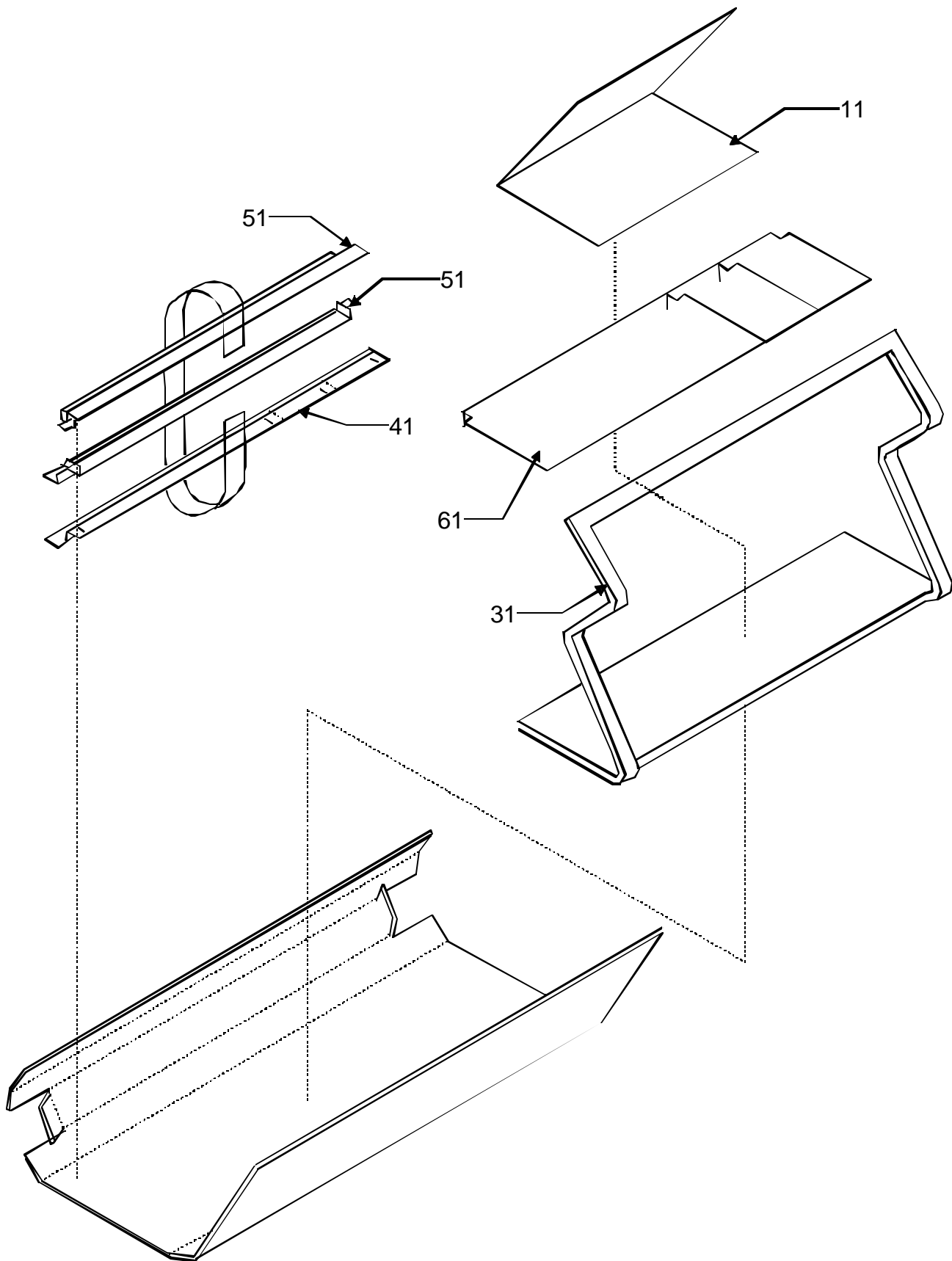
RP6690004 PARTS MANUAL

RS6600001 SERVICE MANUAL

Expanded Model and Color Nomenclature

M1 - HANG07	P1129010F
M2 - HALP09	P1129110F
M3 - HALP09	P1129111F
M4 - HALP10	P1129112F
M5 - HALP11	P1129113F
M6 - FTK03A	P1171305F
M7 - LPTK09	P1200106F
M8 - LPTK09	P1200107F
M9 - LPTK09	P1200108F
M10 - ASB01	P1200202F
M11 - HANG11	P1210305F
M12 - HANG12	P1210306F
M13 - HANG14	P1210308F
M14 - HAPS27	P1210518F
M15 - HAPS28	P1210519F
M16 - HAPS29	P1210520F
M17 - HATS01	P1220401F
M18 - HATS02	P1220402F
M19 - HATS03	P1220403F
M20 - HATS04	P1220404F
M21 - HATS05	P1220405F
M22 - HATS01	P1220406F
M23 - HATS02	P1220407F
M24 - HATS03	P1220408F
M25 - HATS04	P1220409F
M26 - HATS05	P1220410F
M27 - HATS06	P1220411F
M28 - HATS07	P1220412F
M29 - HATS08	P1220413F
M30 - HATS09	P1220414F
M31 - DEHUM1	P1227801F
M32 - CFB16	P1228001F
M33 - CFB20	P1228002F
M34 - CFB24	P1228003F
M35 - TSRK01	P1232601F
M36 - HALP12	P1129114F
M37 - HALP13	P1129115F
M38 - HAC1PS15	P1204227F
M39 - HANG15	P1210309F
M40 - HANG16	P1210310F
M41 - HAPS30	P1210521F
M42 - HAPS31	P1210522F
M43 - LPLP01	P1237701F

Adjustable Subbase Kit (ASB01)



Adjustable Subbase Kit (ASB01)

Ref. Part

No: No: Description:

Image 1:

11	11047604	INSTR-INSTALL (M10)
31	11035002	INSUL-SUBBASE (M10)
41	11035101V	SUBBASE-BACK (M10)
51	11035201V	SUBBASE-SIDE (M10)
61	11035301V	SUBBASE-FRONT (M10)

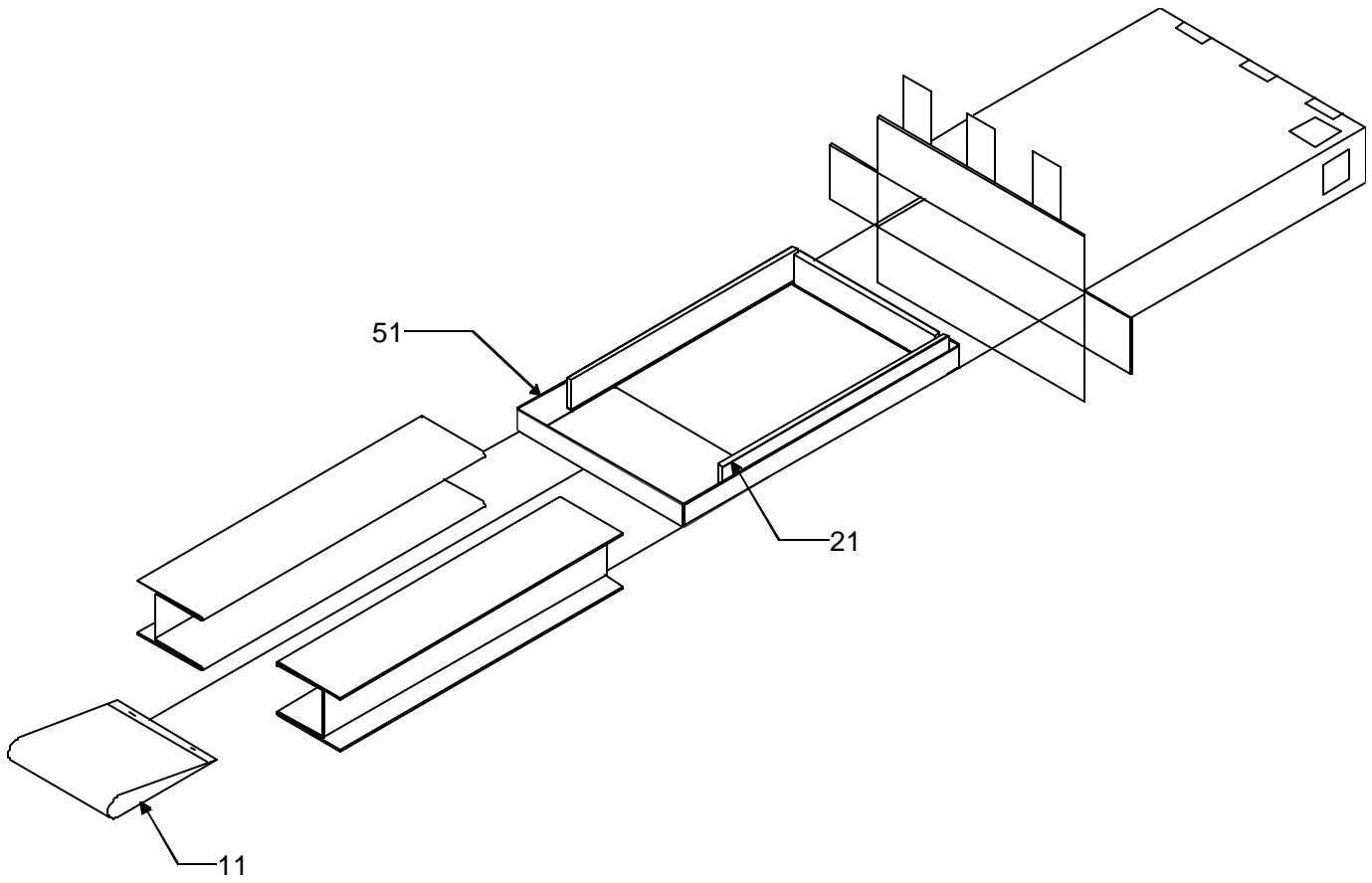
Ref. Part

No: No: Description:

Expanded Model and Color Nomenclature

M1 - HANG07	P1129010F
M2 - HALP09	P1129110F
M3 - HALP09	P1129111F
M4 - HALP10	P1129112F
M5 - HALP11	P1129113F
M6 - FTK03A	P1171305F
M7 - LPTK09	P1200106F
M8 - LPTK09	P1200107F
M9 - LPTK09	P1200108F
M10 - ASB01	P1200202F
M11 - HANG11	P1210305F
M12 - HANG12	P1210306F
M13 - HANG14	P1210308F
M14 - HAPS27	P1210518F
M15 - HAPS28	P1210519F
M16 - HAPS29	P1210520F
M17 - HATS01	P1220401F
M18 - HATS02	P1220402F
M19 - HATS03	P1220403F
M20 - HATS04	P1220404F
M21 - HATS05	P1220405F
M22 - HATS01	P1220406F
M23 - HATS02	P1220407F
M24 - HATS03	P1220408F
M25 - HATS04	P1220409F
M26 - HATS05	P1220410F
M27 - HATS06	P1220411F
M28 - HATS07	P1220412F
M29 - HATS08	P1220413F
M30 - HATS09	P1220414F
M31 - DEHUM1	P1227801F
M32 - CFB16	P1228001F
M33 - CFB20	P1228002F
M34 - CFB24	P1228003F
M35 - TSRK01	P1232601F
M36 - HALP12	P1129114F
M37 - HALP13	P1129115F
M38 - HAC1PS15	P1204227F
M39 - HANG15	P1210309F
M40 - HANG16	P1210310F
M41 - HAPS30	P1210521F
M42 - HAPS31	P1210522F
M43 - LPLP01	P1237701F

Counterflow Floor Base (CFB16-24)



Counterflow Floor Base (CFB16-24)

Ref. Part

No: No: Description:

Ref. Part

No: No: Description:

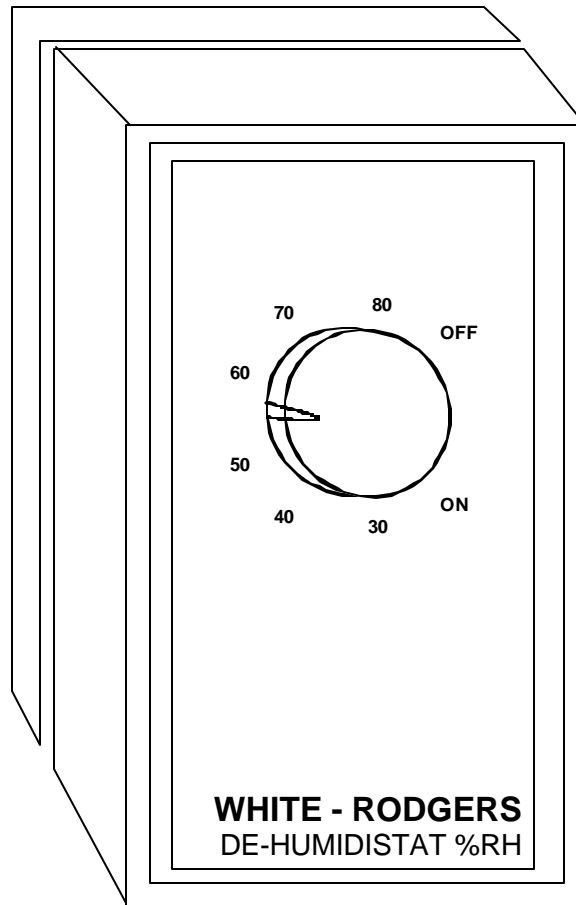
Image 1:

11	A9030801	GASKET-ROPE (M32, M33, M34)
11	20192401	INSTRUC-INSTALL (M32, M33, M34)
11	B1417701	INSUL (M32, M33, M34)
11	B1417704	INSUL (M32, M33, M34)
11	B1417705	INSUL (M32)
11	B1417706	INSUL (M33)
11	B1417707	INSUL (M34)
21	A9030803	GASKET-ROPE (M32)
21	A9030804	GASKET-ROPE (M33)
21	A9030805	GASKET-ROPE (M32)
21	A9030806	GASKET-ROPE (M33)
21	A9030807	GASKET-ROPE (M34)
21	A9030808	GASKET-ROPE (M34)
51	20221201	SUBBASE ASSY (M32)
51	20221202	SUBBASE ASSY (M33)
51	20221203	SUBBASE ASSY (M34)

Expanded Model and Color Nomenclature

M1 - HANG07	P1129010F
M2 - HALP09	P1129110F
M3 - HALP09	P1129111F
M4 - HALP10	P1129112F
M5 - HALP11	P1129113F
M6 - FTK03A	P1171305F
M7 - LPTK09	P1200106F
M8 - LPTK09	P1200107F
M9 - LPTK09	P1200108F
M10 - ASB01	P1200202F
M11 - HANG11	P1210305F
M12 - HANG12	P1210306F
M13 - HANG14	P1210308F
M14 - HAPS27	P1210518F
M15 - HAPS28	P1210519F
M16 - HAPS29	P1210520F
M17 - HATS01	P1220401F
M18 - HATS02	P1220402F
M19 - HATS03	P1220403F
M20 - HATS04	P1220404F
M21 - HATS05	P1220405F
M22 - HATS01	P1220406F
M23 - HATS02	P1220407F
M24 - HATS03	P1220408F
M25 - HATS04	P1220409F
M26 - HATS05	P1220410F
M27 - HATS06	P1220411F
M28 - HATS07	P1220412F
M29 - HATS08	P1220413F
M30 - HATS09	P1220414F
M31 - DEHUM1	P1227801F
M32 - CFB16	P1228001F
M33 - CFB20	P1228002F
M34 - CFB24	P1228003F
M35 - TSRK01	P1232601F
M36 - HALP12	P1129114F
M37 - HALP13	P1129115F
M38 - HAC1PS15	P1204227F
M39 - HANG15	P1210309F
M40 - HANG16	P1210310F
M41 - HAPS30	P1210521F
M42 - HAPS31	P1210522F
M43 - LPLP01	P1237701F

Dehumidifier (DEHUM1)



Dehumidifier (DEHUM1)

Ref. Part

No: No:

Description:

Ref. Part

No: No:

Description:

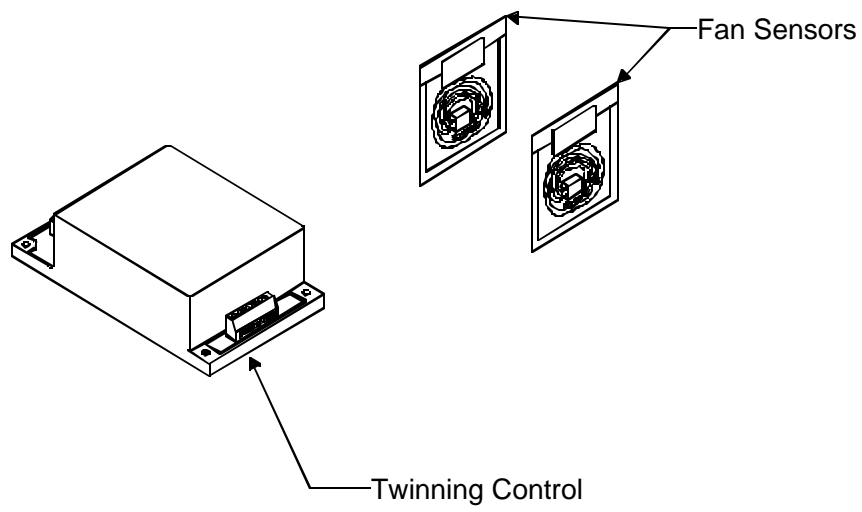
Image 1:

1 1227801 DEHUM1-P/A (M31)

Expanded Model and Color Nomenclature

M1 - HANG07	P1129010F
M2 - HALP09	P1129110F
M3 - HALP09	P1129111F
M4 - HALP10	P1129112F
M5 - HALP11	P1129113F
M6 - FTK03A	P1171305F
M7 - LPTK09	P1200106F
M8 - LPTK09	P1200107F
M9 - LPTK09	P1200108F
M10 - ASB01	P1200202F
M11 - HANG11	P1210305F
M12 - HANG12	P1210306F
M13 - HANG14	P1210308F
M14 - HAPS27	P1210518F
M15 - HAPS28	P1210519F
M16 - HAPS29	P1210520F
M17 - HATS01	P1220401F
M18 - HATS02	P1220402F
M19 - HATS03	P1220403F
M20 - HATS04	P1220404F
M21 - HATS05	P1220405F
M22 - HATS01	P1220406F
M23 - HATS02	P1220407F
M24 - HATS03	P1220408F
M25 - HATS04	P1220409F
M26 - HATS05	P1220410F
M27 - HATS06	P1220411F
M28 - HATS07	P1220412F
M29 - HATS08	P1220413F
M30 - HATS09	P1220414F
M31 - DEHUM1	P1227801F
M32 - CFB16	P1228001F
M33 - CFB20	P1228002F
M34 - CFB24	P1228003F
M35 - TSRK01	P1232601F
M36 - HALP12	P1129114F
M37 - HALP13	P1129115F
M38 - HAC1PS15	P1204227F
M39 - HANG15	P1210309F
M40 - HANG16	P1210310F
M41 - HAPS30	P1210521F
M42 - HAPS31	P1210522F
M43 - LPLP01	P1237701F

Furnace Twinning Kit (FTK03A)



Furnace Twinning Kit (FTK03A)

Ref. Part

Ref. Part

No: No:

Description:

No: No:

Description:

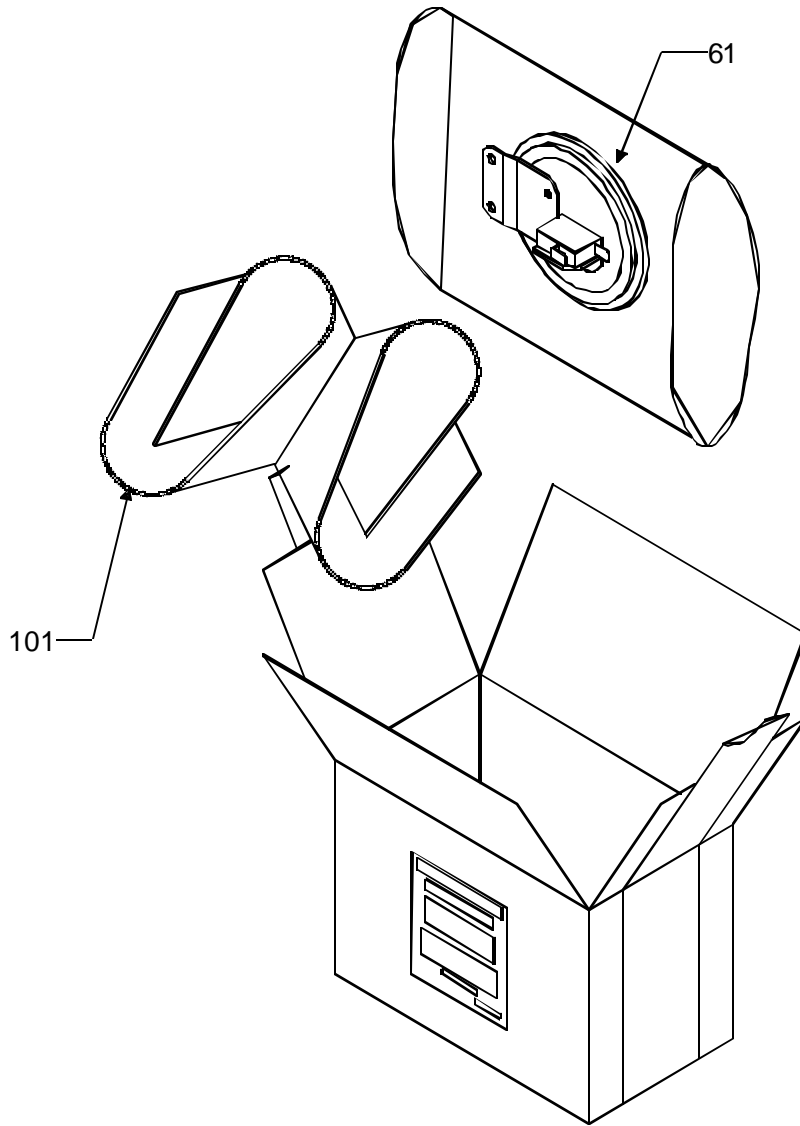
Image 1:

11	1171305	FTK03A-P/A (M6)
NS	10539905	INSTR-INSTAL (M6)

Expanded Model and Color Nomenclature

M1 - HANG07	P1129010F
M2 - HALP09	P1129110F
M3 - HALP09	P1129111F
M4 - HALP10	P1129112F
M5 - HALP11	P1129113F
M6 - FTK03A	P1171305F
M7 - LPTK09	P1200106F
M8 - LPTK09	P1200107F
M9 - LPTK09	P1200108F
M10 - ASB01	P1200202F
M11 - HANG11	P1210305F
M12 - HANG12	P1210306F
M13 - HANG14	P1210308F
M14 - HAPS27	P1210518F
M15 - HAPS28	P1210519F
M16 - HAPS29	P1210520F
M17 - HATS01	P1220401F
M18 - HATS02	P1220402F
M19 - HATS03	P1220403F
M20 - HATS04	P1220404F
M21 - HATS05	P1220405F
M22 - HATS01	P1220406F
M23 - HATS02	P1220407F
M24 - HATS03	P1220408F
M25 - HATS04	P1220409F
M26 - HATS05	P1220410F
M27 - HATS06	P1220411F
M28 - HATS07	P1220412F
M29 - HATS08	P1220413F
M30 - HATS09	P1220414F
M31 - DEHUM1	P1227801F
M32 - CFB16	P1228001F
M33 - CFB20	P1228002F
M34 - CFB24	P1228003F
M35 - TSRK01	P1232601F
M36 - HALP12	P1129114F
M37 - HALP13	P1129115F
M38 - HAC1PS15	P1204227F
M39 - HANG15	P1210309F
M40 - HANG16	P1210310F
M41 - HAPS30	P1210521F
M42 - HAPS31	P1210522F
M43 - LPLP01	P1237701F

High Alt. Catg. 1 Press Sw. (HAC1PCS15)



High Alt. Catg. 1 Press Sw. (HAC1PCS15)

Ref. Part

Ref. Part

No: No:

Description:

No: No:

Description:

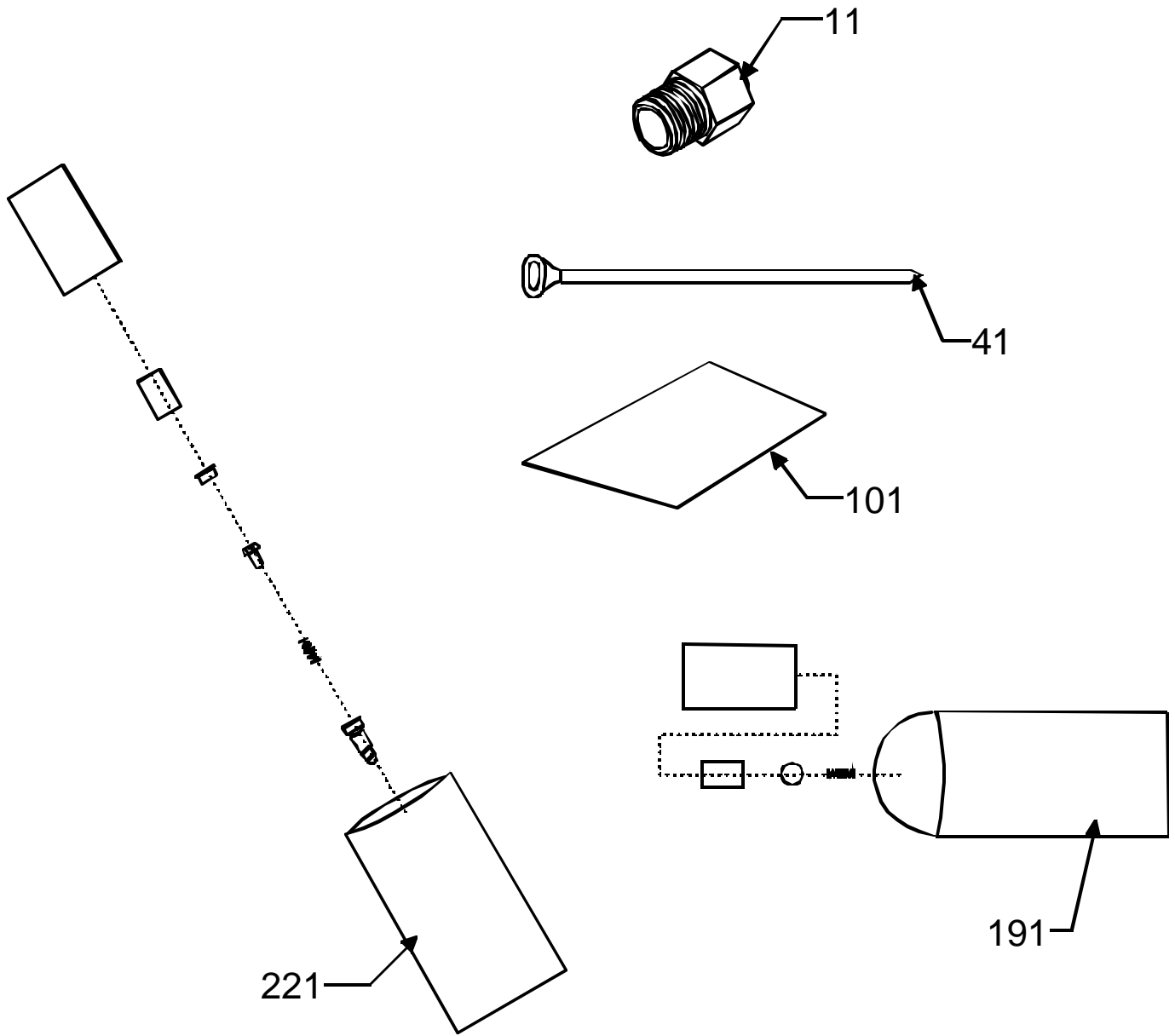
Image 1:

61	10727920	SWITCH-PRESSURE (M38)
101	10314620	INSTR-INSTALL (M38)

Expanded Model and Color Nomenclature

M1 - HANG07	P1129010F
M2 - HALP09	P1129110F
M3 - HALP09	P1129111F
M4 - HALP10	P1129112F
M5 - HALP11	P1129113F
M6 - FTK03A	P1171305F
M7 - LPTK09	P1200106F
M8 - LPTK09	P1200107F
M9 - LPTK09	P1200108F
M10 - ASB01	P1200202F
M11 - HANG11	P1210305F
M12 - HANG12	P1210306F
M13 - HANG14	P1210308F
M14 - HAPS27	P1210518F
M15 - HAPS28	P1210519F
M16 - HAPS29	P1210520F
M17 - HATS01	P1220401F
M18 - HATS02	P1220402F
M19 - HATS03	P1220403F
M20 - HATS04	P1220404F
M21 - HATS05	P1220405F
M22 - HATS01	P1220406F
M23 - HATS02	P1220407F
M24 - HATS03	P1220408F
M25 - HATS04	P1220409F
M26 - HATS05	P1220410F
M27 - HATS06	P1220411F
M28 - HATS07	P1220412F
M29 - HATS08	P1220413F
M30 - HATS09	P1220414F
M31 - DEHUM1	P1227801F
M32 - CFB16	P1228001F
M33 - CFB20	P1228002F
M34 - CFB24	P1228003F
M35 - TSRK01	P1232601F
M36 - HALP12	P1129114F
M37 - HALP13	P1129115F
M38 - HAC1PS15	P1204227F
M39 - HANG15	P1210309F
M40 - HANG16	P1210310F
M41 - HAPS30	P1210521F
M42 - HAPS31	P1210522F
M43 - LPLP01	P1237701F

High Alt. Propane Convn. Kit (HALP09-13)



High Alt. Propane Convn. Kit (HALP09-13)

Ref. Part

No: No: Description:

Image 1:

11	10716010	ORIFICE (M2, M3, M4, M5, M36, M37)
41	M0321202	TIE-ELEC LG (M2, M3, M4, M5, M7, M8, M9, M36, M37)
101	10314615	INSTR-HIGH ALT (M4)
101	10759905	INSTR-HIGH ALT (M2)
101	10314618	INSTR-INSTALL (M5)
101	10314620	INSTR-INSTALL (M36)
101	10314621	INSTR-INSTALL (M37)
101	10759906	INSTR-INSTALL (M3)
191	10674501	VALVE CONV KIT (M4)
191	10674502	VALVE-CONV KIT (M2, M3)
191	B1417603	VALVE-CONV KIT (M2, M3)
191	B1444401	VALVE-CONV KIT (M2, M3)
191	B1444401	VALVE-CONV KIT (M4)
221	10674501	VALVE CONV KIT (M36, M37)
221	B1444401	VALVE-CONV KIT (M36, M37)

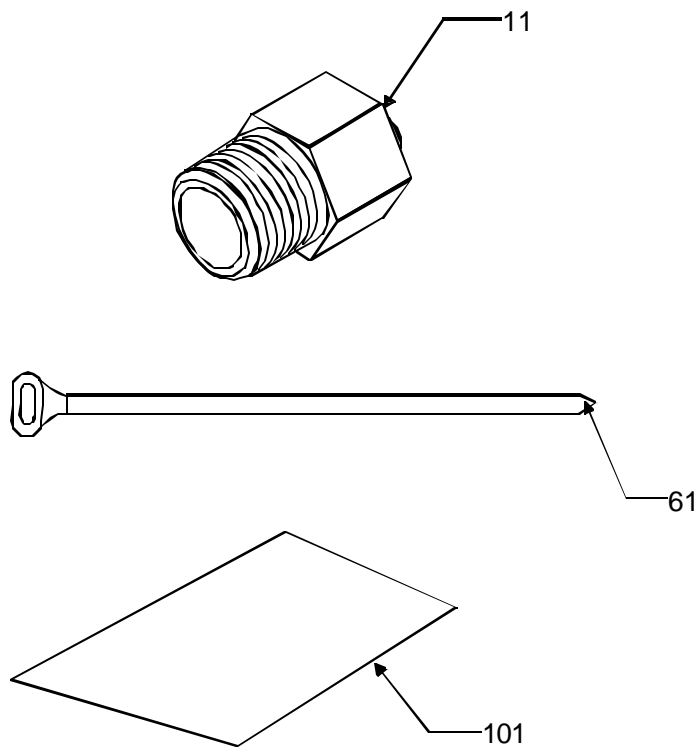
Ref. Part

No: No: Description:

Expanded Model and Color Nomenclature

M1 - HANG07	P1129010F
M2 - HALP09	P1129110F
M3 - HALP09	P1129111F
M4 - HALP10	P1129112F
M5 - HALP11	P1129113F
M6 - FTK03A	P1171305F
M7 - LPTK09	P1200106F
M8 - LPTK09	P1200107F
M9 - LPTK09	P1200108F
M10 - ASB01	P1200202F
M11 - HANG11	P1210305F
M12 - HANG12	P1210306F
M13 - HANG14	P1210308F
M14 - HAPS27	P1210518F
M15 - HAPS28	P1210519F
M16 - HAPS29	P1210520F
M17 - HATS01	P1220401F
M18 - HATS02	P1220402F
M19 - HATS03	P1220403F
M20 - HATS04	P1220404F
M21 - HATS05	P1220405F
M22 - HATS01	P1220406F
M23 - HATS02	P1220407F
M24 - HATS03	P1220408F
M25 - HATS04	P1220409F
M26 - HATS05	P1220410F
M27 - HATS06	P1220411F
M28 - HATS07	P1220412F
M29 - HATS08	P1220413F
M30 - HATS09	P1220414F
M31 - DEHUM1	P1227801F
M32 - CFB16	P1228001F
M33 - CFB20	P1228002F
M34 - CFB24	P1228003F
M35 - TSRK01	P1232601F
M36 - HALP12	P1129114F
M37 - HALP13	P1129115F
M38 - HAC1PS15	P1204227F
M39 - HANG15	P1210309F
M40 - HANG16	P1210310F
M41 - HAPS30	P1210521F
M42 - HAPS31	P1210522F
M43 - LPLP01	P1237701F

High Alt. Natural Gas Kit (HANG07-16)



High Alt. Natural Gas Kit (HANG07-16)

Ref. Part

No: No: Description:

Image 1:

11	10716004	ORIFICE (M11, M39, M40)
11	10716005	ORIFICE (M1, M12, M13)
61	M0321202	TIE-ELEC LG (M39, M40)
61	M0321202	TIE-ELEC LG (M1, M11, M12, M13)
101	10314615	INSTR-HIGH ALT (M11, M12)
101	10314618	INSTR-INSTALL (M13)
101	10314620	INSTR-INSTALL (M39)
101	10314621	INSTR-INSTALL (M40)
101	10759906	INSTR-INSTALL (M1)

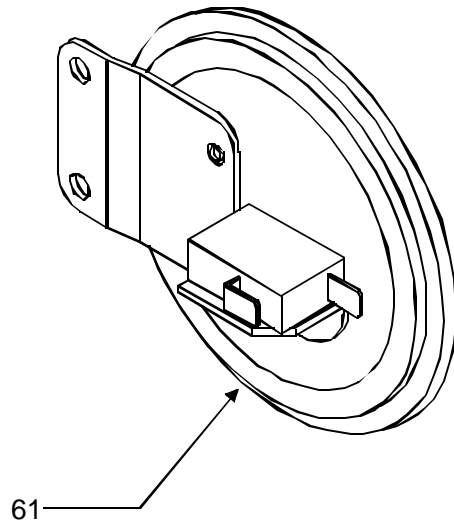
Ref. Part

No: No: Description:

Expanded Model and Color Nomenclature

M1 - HANG07	P1129010F
M2 - HALP09	P1129110F
M3 - HALP09	P1129111F
M4 - HALP10	P1129112F
M5 - HALP11	P1129113F
M6 - FTK03A	P1171305F
M7 - LPTK09	P1200106F
M8 - LPTK09	P1200107F
M9 - LPTK09	P1200108F
M10 - ASB01	P1200202F
M11 - HANG11	P1210305F
M12 - HANG12	P1210306F
M13 - HANG14	P1210308F
M14 - HAPS27	P1210518F
M15 - HAPS28	P1210519F
M16 - HAPS29	P1210520F
M17 - HATS01	P1220401F
M18 - HATS02	P1220402F
M19 - HATS03	P1220403F
M20 - HATS04	P1220404F
M21 - HATS05	P1220405F
M22 - HATS01	P1220406F
M23 - HATS02	P1220407F
M24 - HATS03	P1220408F
M25 - HATS04	P1220409F
M26 - HATS05	P1220410F
M27 - HATS06	P1220411F
M28 - HATS07	P1220412F
M29 - HATS08	P1220413F
M30 - HATS09	P1220414F
M31 - DEHUM1	P1227801F
M32 - CFB16	P1228001F
M33 - CFB20	P1228002F
M34 - CFB24	P1228003F
M35 - TSRK01	P1232601F
M36 - HALP12	P1129114F
M37 - HALP13	P1129115F
M38 - HAC1PS15	P1204227F
M39 - HANG15	P1210309F
M40 - HANG16	P1210310F
M41 - HAPS30	P1210521F
M42 - HAPS31	P1210522F
M43 - LPLP01	P1237701F

High Altitude Press Switch (HAPS27-31)



High Altitude Press Switch (HAPS27-31)

Ref. Part

No: No: Description:

Image 1:

61	11177115	SWITCH-PRESSURE (M15)
61	11177116	SWITCH-PRESSURE (M16)
61	11177119	SWITCH-PRESSURE (M41)
61	11177120	SWITCH-PRESSURE (M42)
61	20197307	SWITCH-PRESSURE (M14)
NS	10314615	INSTR-HIGH ALT (M14)
NS	10314618	INSTR-INSTALL (M15, M16)
NS	10314621	INSTR-INSTALL (M41, M42)

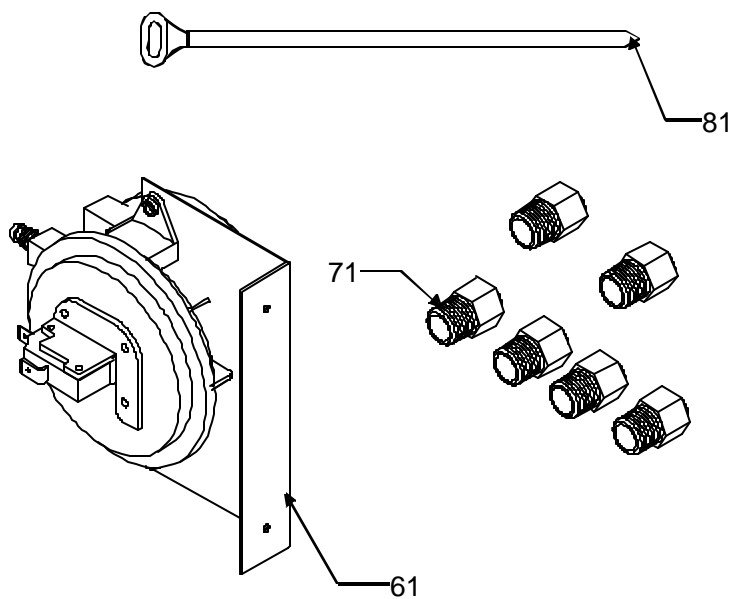
Ref. Part

No: No: Description:

Expanded Model and Color Nomenclature

M1 - HANG07	P1129010F
M2 - HALP09	P1129110F
M3 - HALP09	P1129111F
M4 - HALP10	P1129112F
M5 - HALP11	P1129113F
M6 - FTK03A	P1171305F
M7 - LPTK09	P1200106F
M8 - LPTK09	P1200107F
M9 - LPTK09	P1200108F
M10 - ASB01	P1200202F
M11 - HANG11	P1210305F
M12 - HANG12	P1210306F
M13 - HANG14	P1210308F
M14 - HAPS27	P1210518F
M15 - HAPS28	P1210519F
M16 - HAPS29	P1210520F
M17 - HATS01	P1220401F
M18 - HATS02	P1220402F
M19 - HATS03	P1220403F
M20 - HATS04	P1220404F
M21 - HATS05	P1220405F
M22 - HATS01	P1220406F
M23 - HATS02	P1220407F
M24 - HATS03	P1220408F
M25 - HATS04	P1220409F
M26 - HATS05	P1220410F
M27 - HATS06	P1220411F
M28 - HATS07	P1220412F
M29 - HATS08	P1220413F
M30 - HATS09	P1220414F
M31 - DEHUM1	P1227801F
M32 - CFB16	P1228001F
M33 - CFB20	P1228002F
M34 - CFB24	P1228003F
M35 - TSRK01	P1232601F
M36 - HALP12	P1129114F
M37 - HALP13	P1129115F
M38 - HAC1PS15	P1204227F
M39 - HANG15	P1210309F
M40 - HANG16	P1210310F
M41 - HAPS30	P1210521F
M42 - HAPS31	P1210522F
M43 - LPLP01	P1237701F

High Alt. 2 Stage Convn. Kit (HATS_)



High Alt. 2 Stage Convn. Kit (HATS_)

Ref. Part

No: No: Description:

Image 1:

61	11177111	SWITCH PRESSURE (M30)
61	11177105	SWITCH-PRESSURE (M17, M22)
61	11177106	SWITCH-PRESSURE (M18, M23)
61	11177107	SWITCH-PRESSURE (M19, M24)
61	11177108	SWITCH-PRESSURE (M20, M25, M27)
61	11177109	SWITCH-PRESSURE (M21, M26, M29)
61	11177110	SWITCH-PRESSURE (M28)
71	10716004	ORIFICE (M17, M18, M19, M20, M21, M22, M23, M24, M25, M26)
71	10716005	ORIFICE (M27, M28, M29, M30)
81	M0321202	TIE-ELEC LG (M17, M18, M19, M20, M21, M22, M23, M24, M25, M26, M27, M28, M29, M30)
NS	20150401	INSTR-HIGH ALT (M17, M18, M19, M20, M21)
NS	20150402	INSTR-HIGH ALT (M22, M23, M24, M25, M26, M27, M28, M29, M30)

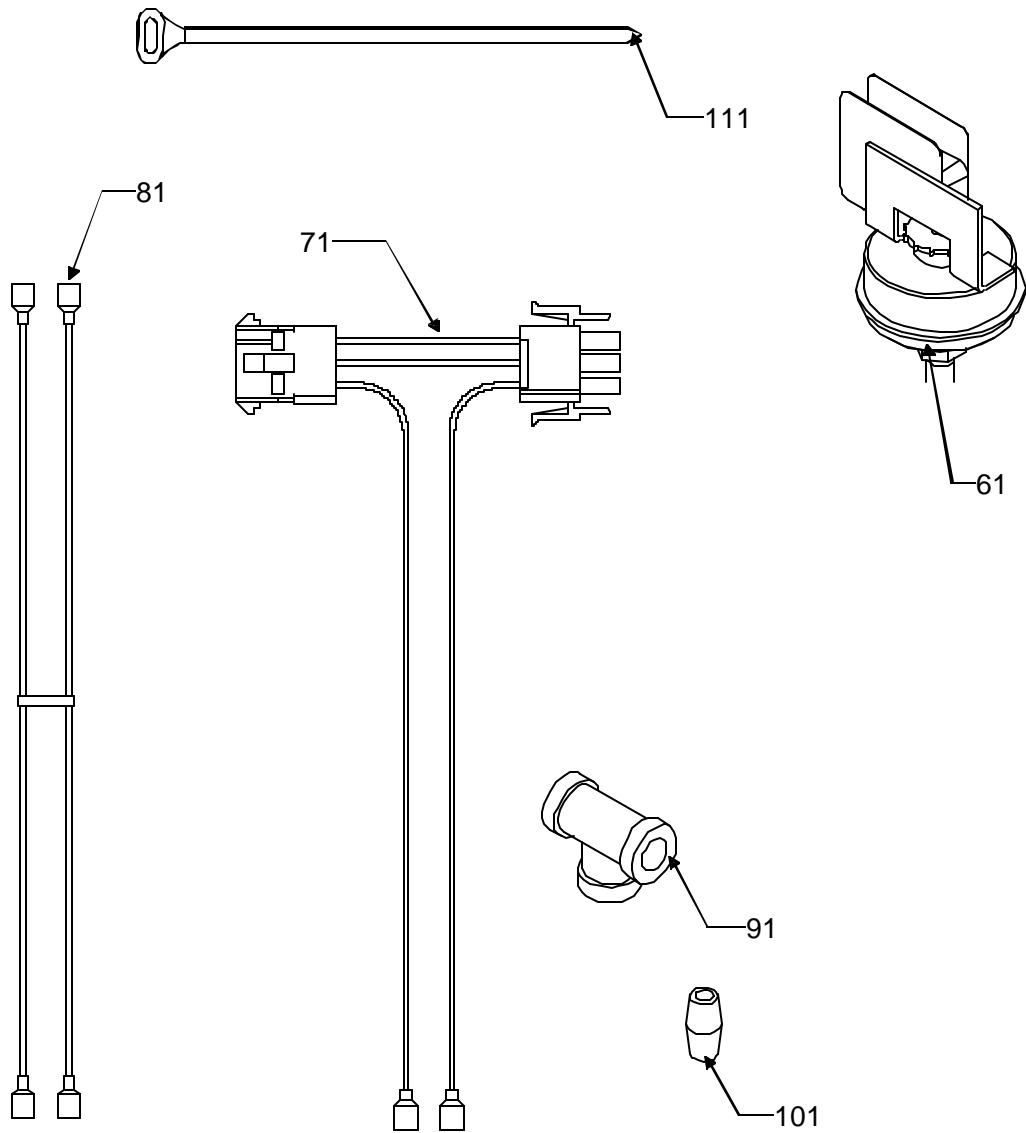
Ref. Part

No: No: Description:

Expanded Model and Color Nomenclature

M1 - HANG07	P1129010F
M2 - HALP09	P1129110F
M3 - HALP09	P1129111F
M4 - HALP10	P1129112F
M5 - HALP11	P1129113F
M6 - FTK03A	P1171305F
M7 - LPTK09	P1200106F
M8 - LPTK09	P1200107F
M9 - LPTK09	P1200108F
M10 - ASB01	P1200202F
M11 - HANG11	P1210305F
M12 - HANG12	P1210306F
M13 - HANG14	P1210308F
M14 - HAPS27	P1210518F
M15 - HAPS28	P1210519F
M16 - HAPS29	P1210520F
M17 - HATS01	P1220401F
M18 - HATS02	P1220402F
M19 - HATS03	P1220403F
M20 - HATS04	P1220404F
M21 - HATS05	P1220405F
M22 - HATS01	P1220406F
M23 - HATS02	P1220407F
M24 - HATS03	P1220408F
M25 - HATS04	P1220409F
M26 - HATS05	P1220410F
M27 - HATS06	P1220411F
M28 - HATS07	P1220412F
M29 - HATS08	P1220413F
M30 - HATS09	P1220414F
M31 - DEHUM1	P1227801F
M32 - CFB16	P1228001F
M33 - CFB20	P1228002F
M34 - CFB24	P1228003F
M35 - TSRK01	P1232601F
M36 - HALP12	P1129114F
M37 - HALP13	P1129115F
M38 - HAC1PS15	P1204227F
M39 - HANG15	P1210309F
M40 - HANG16	P1210310F
M41 - HAPS30	P1210521F
M42 - HAPS31	P1210522F
M43 - LPLP01	P1237701F

Propanes Conversion Kit (LPLP01)



Propanes Conversion Kit (LPLP01)

Ref. Part

No: No: Description:

Image 1:

61	20328701	SWITCH-GAS PRESS (M43)
71	20328803	HARNESS-WIRE (M43)
81	20328801	HARNESS-WIRE (M43)
91	91000401	TEE-PIPE (M43)
101	M0020032	NIPPLE-PIPE (M43)
111	M0322801	TIE-ELEC (M43)
NS	10314619	INSTR-INSTALL (M43)

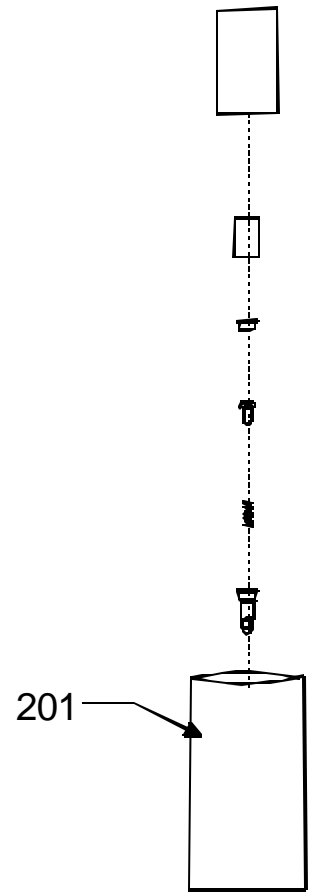
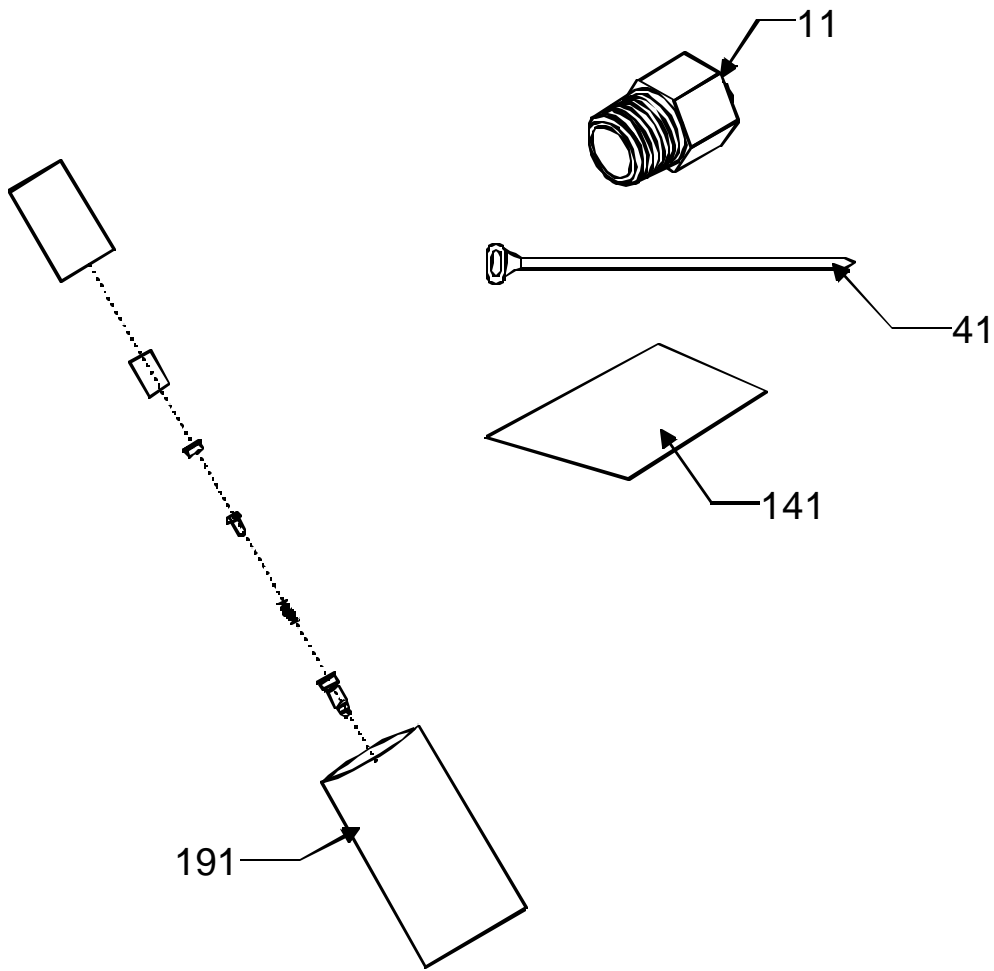
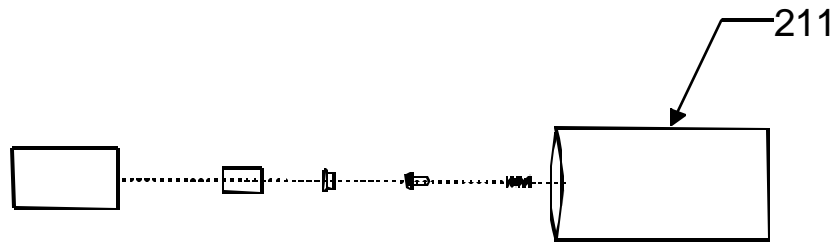
Ref. Part

No: No: Description:

Expanded Model and Color Nomenclature

M1 - HANG07	P1129010F
M2 - HALP09	P1129110F
M3 - HALP09	P1129111F
M4 - HALP10	P1129112F
M5 - HALP11	P1129113F
M6 - FTK03A	P1171305F
M7 - LPTK09	P1200106F
M8 - LPTK09	P1200107F
M9 - LPTK09	P1200108F
M10 - ASB01	P1200202F
M11 - HANG11	P1210305F
M12 - HANG12	P1210306F
M13 - HANG14	P1210308F
M14 - HAPS27	P1210518F
M15 - HAPS28	P1210519F
M16 - HAPS29	P1210520F
M17 - HATS01	P1220401F
M18 - HATS02	P1220402F
M19 - HATS03	P1220403F
M20 - HATS04	P1220404F
M21 - HATS05	P1220405F
M22 - HATS01	P1220406F
M23 - HATS02	P1220407F
M24 - HATS03	P1220408F
M25 - HATS04	P1220409F
M26 - HATS05	P1220410F
M27 - HATS06	P1220411F
M28 - HATS07	P1220412F
M29 - HATS08	P1220413F
M30 - HATS09	P1220414F
M31 - DEHUM1	P1227801F
M32 - CFB16	P1228001F
M33 - CFB20	P1228002F
M34 - CFB24	P1228003F
M35 - TSRK01	P1232601F
M36 - HALP12	P1129114F
M37 - HALP13	P1129115F
M38 - HAC1PS15	P1204227F
M39 - HANG15	P1210309F
M40 - HANG16	P1210310F
M41 - HAPS30	P1210521F
M42 - HAPS31	P1210522F
M43 - LPLP01	P1237701F

Propane Conversion Kit (LPTK09)



Propane Conversion Kit (LPTK09)

Ref. Part

No: No: Description:

Image 1:

11	10716009	ORIFICE (M7, M8, M9)
41	M0321202	TIE-ELEC LG (M7, M8, M9)
141	10308710	INSTR-INSTALL (M7, M8)
141	10308713	INSTR-INSTALL (M9)
191	B1417603	VALVE-CONV KIT (M7, M8, M9)
201	B1444401	VALVE-CONV KIT (M7, M8, M9)
211	10674502	VALVE-CONV KIT (M7, M8, M9)

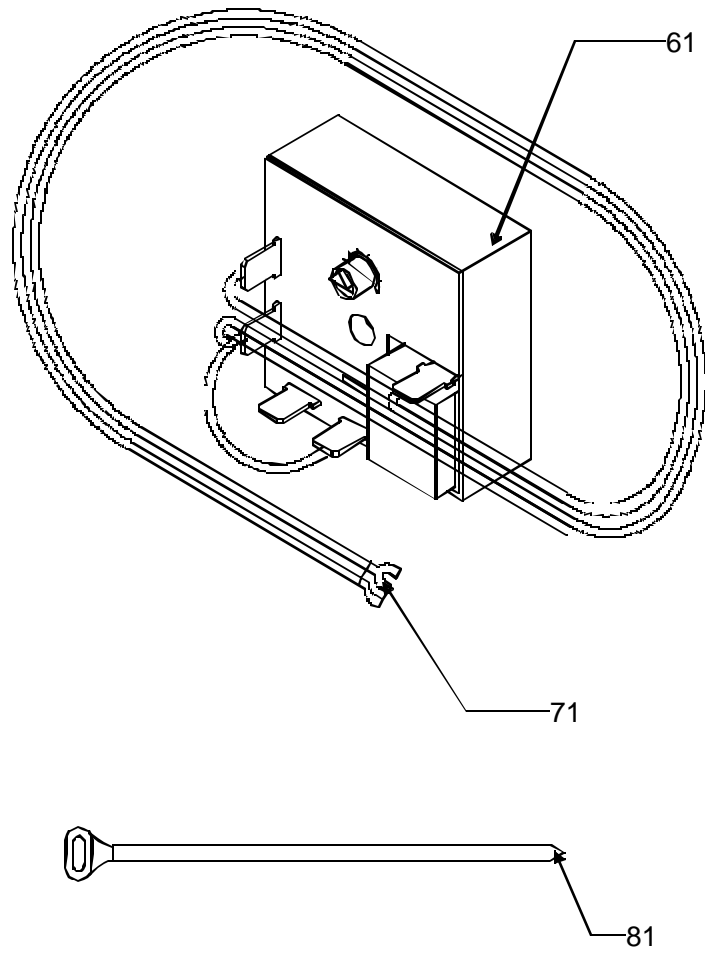
Ref. Part

No: No: Description:

Expanded Model and Color Nomenclature

M1 - HANG07	P1129010F
M2 - HALP09	P1129110F
M3 - HALP09	P1129111F
M4 - HALP10	P1129112F
M5 - HALP11	P1129113F
M6 - FTK03A	P1171305F
M7 - LPTK09	P1200106F
M8 - LPTK09	P1200107F
M9 - LPTK09	P1200108F
M10 - ASB01	P1200202F
M11 - HANG11	P1210305F
M12 - HANG12	P1210306F
M13 - HANG14	P1210308F
M14 - HAPS27	P1210518F
M15 - HAPS28	P1210519F
M16 - HAPS29	P1210520F
M17 - HATS01	P1220401F
M18 - HATS02	P1220402F
M19 - HATS03	P1220403F
M20 - HATS04	P1220404F
M21 - HATS05	P1220405F
M22 - HATS01	P1220406F
M23 - HATS02	P1220407F
M24 - HATS03	P1220408F
M25 - HATS04	P1220409F
M26 - HATS05	P1220410F
M27 - HATS06	P1220411F
M28 - HATS07	P1220412F
M29 - HATS08	P1220413F
M30 - HATS09	P1220414F
M31 - DEHUM1	P1227801F
M32 - CFB16	P1228001F
M33 - CFB20	P1228002F
M34 - CFB24	P1228003F
M35 - TSRK01	P1232601F
M36 - HALP12	P1129114F
M37 - HALP13	P1129115F
M38 - HAC1PS15	P1204227F
M39 - HANG15	P1210309F
M40 - HANG16	P1210310F
M41 - HAPS30	P1210521F
M42 - HAPS31	P1210522F
M43 - LPLP01	P1237701F

Two Stage Relay Kit (TRSK01)



Two Stage Relay Kit (TRSK01)

Ref. Part

No: No: Description:

Image 1:

61	20260501	RELAY-TIMER (M35)
71	10249412	WIRE ASSY (M35)
81	M0321204	TIE-ELEC SM (M35)
NS	10314617	INSTR-INSTALL (M35)

Ref. Part

No: No: Description:

Expanded Model and Color Nomenclature

M1 - HANG07	P1129010F
M2 - HALP09	P1129110F
M3 - HALP09	P1129111F
M4 - HALP10	P1129112F
M5 - HALP11	P1129113F
M6 - FTK03A	P1171305F
M7 - LPTK09	P1200106F
M8 - LPTK09	P1200107F
M9 - LPTK09	P1200108F
M10 - ASB01	P1200202F
M11 - HANG11	P1210305F
M12 - HANG12	P1210306F
M13 - HANG14	P1210308F
M14 - HAPS27	P1210518F
M15 - HAPS28	P1210519F
M16 - HAPS29	P1210520F
M17 - HATS01	P1220401F
M18 - HATS02	P1220402F
M19 - HATS03	P1220403F
M20 - HATS04	P1220404F
M21 - HATS05	P1220405F
M22 - HATS01	P1220406F
M23 - HATS02	P1220407F
M24 - HATS03	P1220408F
M25 - HATS04	P1220409F
M26 - HATS05	P1220410F
M27 - HATS06	P1220411F
M28 - HATS07	P1220412F
M29 - HATS08	P1220413F
M30 - HATS09	P1220414F
M31 - DEHUM1	P1227801F
M32 - CFB16	P1228001F
M33 - CFB20	P1228002F
M34 - CFB24	P1228003F
M35 - TSRK01	P1232601F
M36 - HALP12	P1129114F
M37 - HALP13	P1129115F
M38 - HAC1PS15	P1204227F
M39 - HANG15	P1210309F
M40 - HANG16	P1210310F
M41 - HAPS30	P1210521F
M42 - HAPS31	P1210522F
M43 - LPLP01	P1237701F